



**TOYOTA**

ALWAYS A  
BETTER WAY

# Land Cruiser

Full height / Half height dogguard with divider (5 seat)

Installation Instructions

Model year: 2009/09, 2013/08, 2017/08

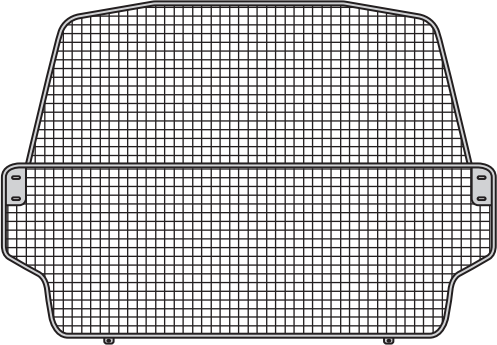
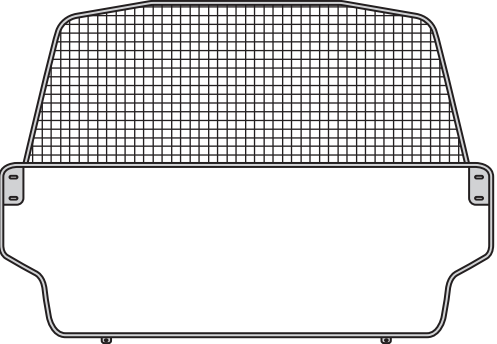
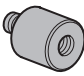
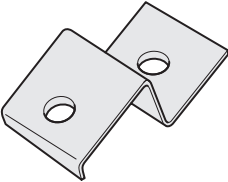
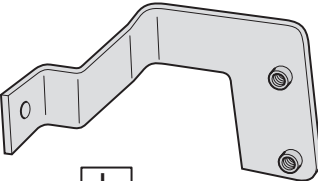
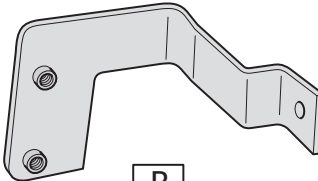
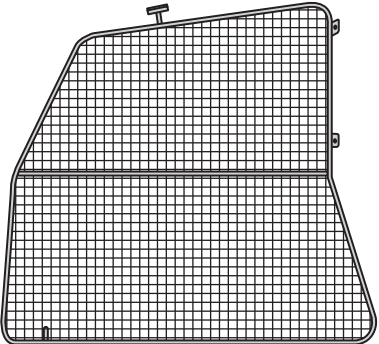

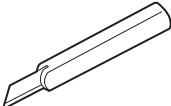
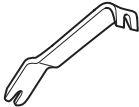
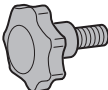
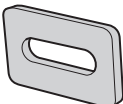
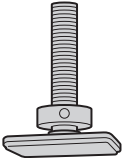

Vehicle code: \*\*J150\*-GK\*\*\*W

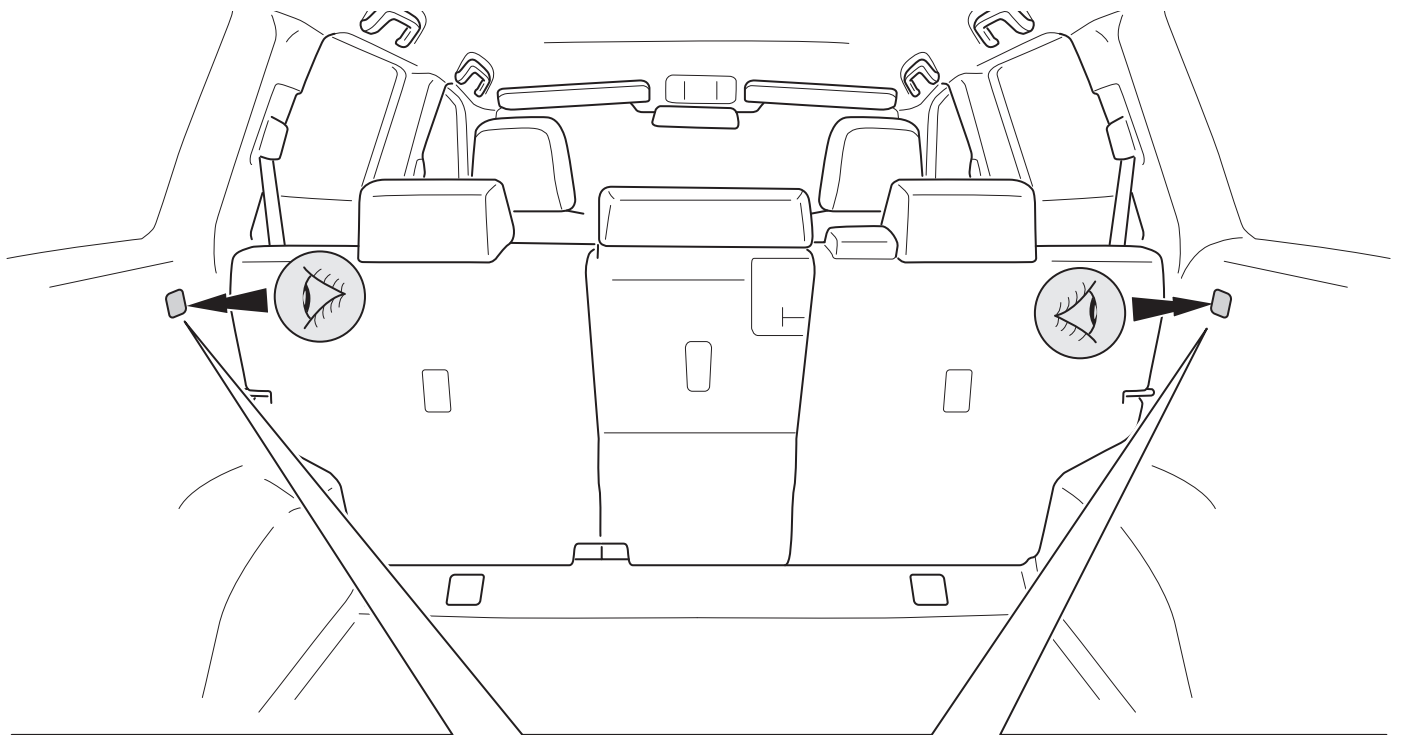
Part number:	Full height dog guard:	PZ483-J2122-00
	Half height dog guard:	PZ483-J2123-00
	Mounting kit dog guard:	PZ483-J2122-60
	Divider:	PZ483-J2124-00
	Mounting kit divider:	PZ483-J2124-60

Manual reference number: AIM 001 742-3

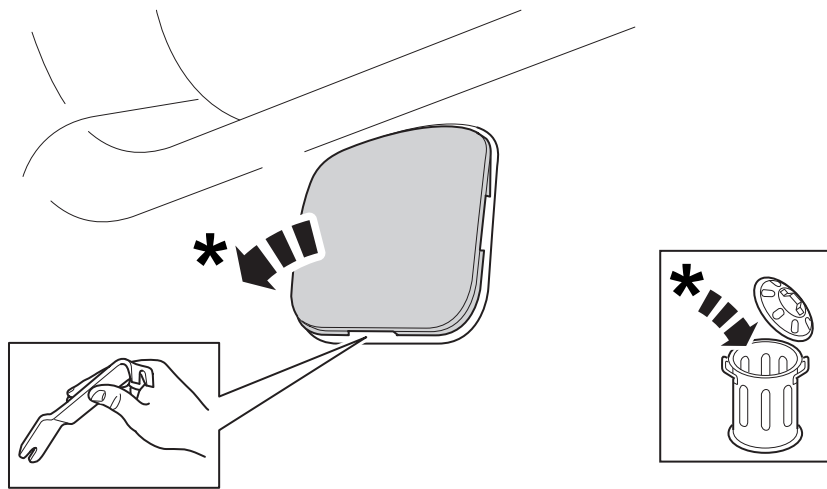
# Revision record

Rev. No.	Date	Page	Picture	Update	New	Deleted steps
1	10-07-13			Model year		
2	26-03-17	all	all	X		
3	12-11-17	10-13		Check sheet	X	

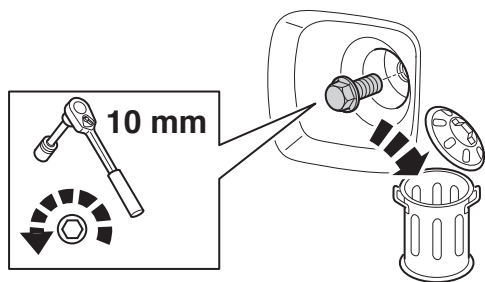
<p><b>A</b> <b>PZ483-J2122-00</b> Full height</p> 	<p><b>PZ483-J2122-60</b> Mounting kit</p>			
<p><b>A</b> <b>PZ483-J2123-00</b> Half height</p>  <p style="text-align: right;">1x</p>	<p><b>C</b></p>  <p style="text-align: right;">2x</p>	<p><b>D</b></p>  <p style="text-align: right;">2x</p>	<p><b>E</b></p>  <p style="text-align: center;"><b>L</b></p> <p style="text-align: right;">1x</p>	<p><b>F</b></p>  <p style="text-align: center;"><b>R</b></p> <p style="text-align: right;">1x</p>
<p><b>B</b> <b>PZ483-J2124-00</b> Divider</p>  <p style="text-align: right;">1x</p>	<p><b>PZ483-J2124-60</b> Mounting kit</p>			
<p>10 mm</p> 			<p><b>G</b></p>  <p style="text-align: right;">2x</p>	<p><b>H</b></p>  <p style="text-align: right;">2x</p>
			<p><b>I</b></p>  <p style="text-align: right;">1x</p>	<p><b>J</b></p>  <p style="text-align: right;">1x</p>



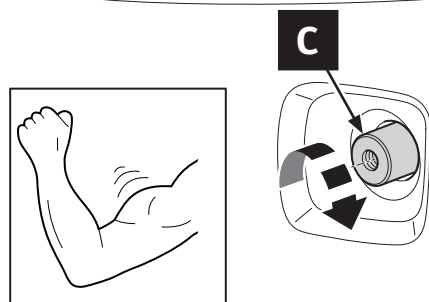
1



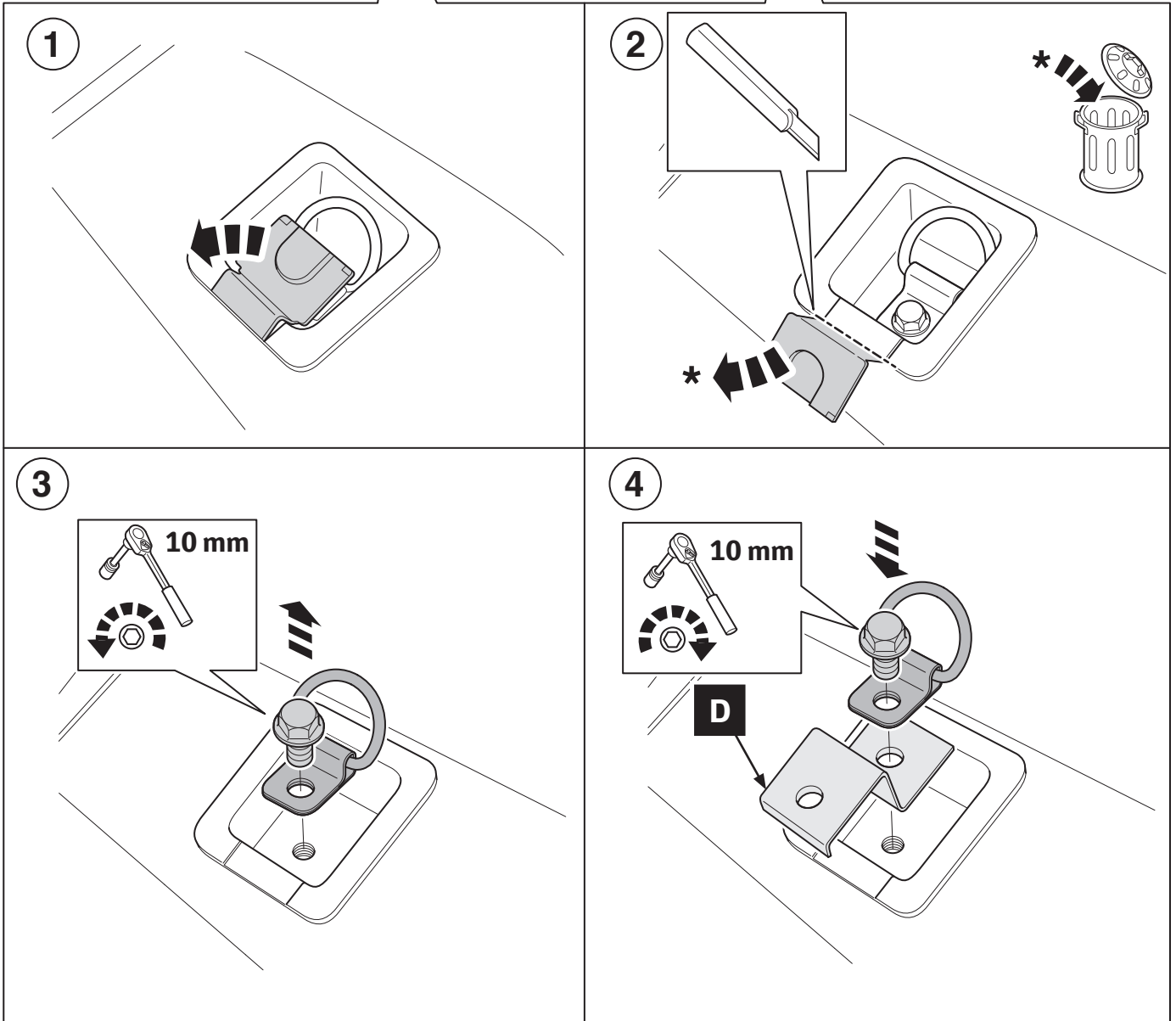
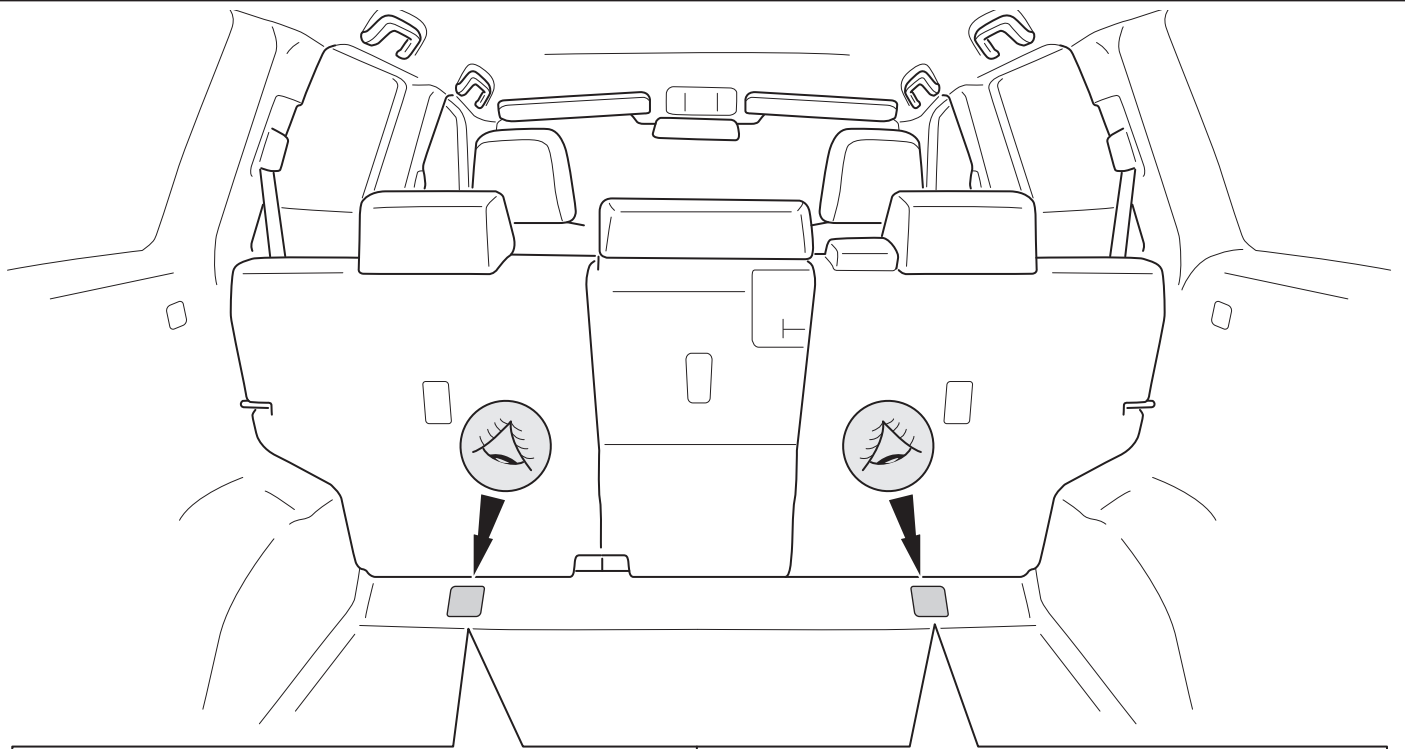
2

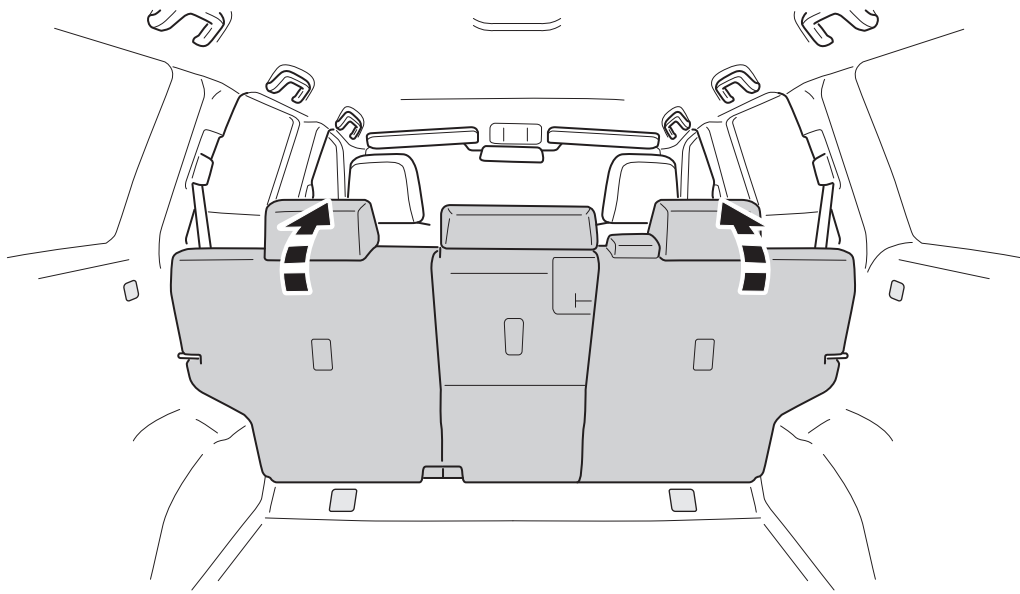


3

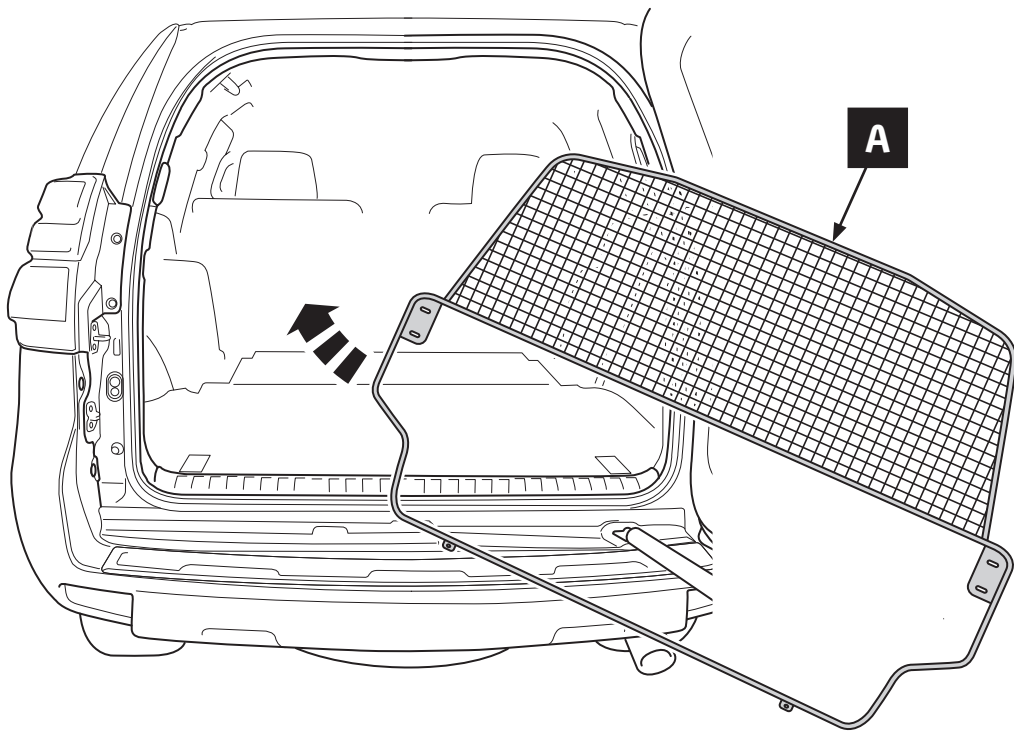


1



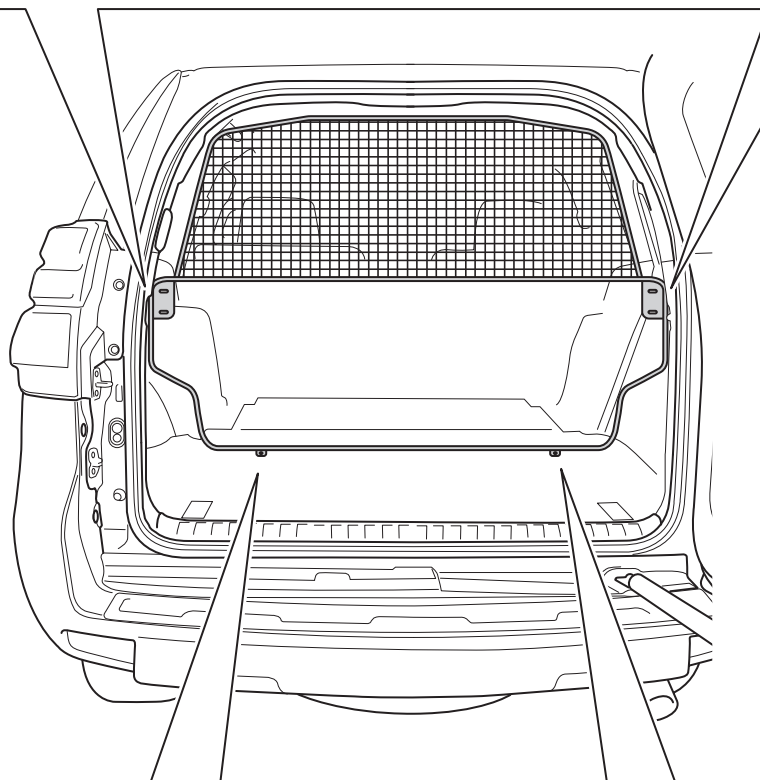
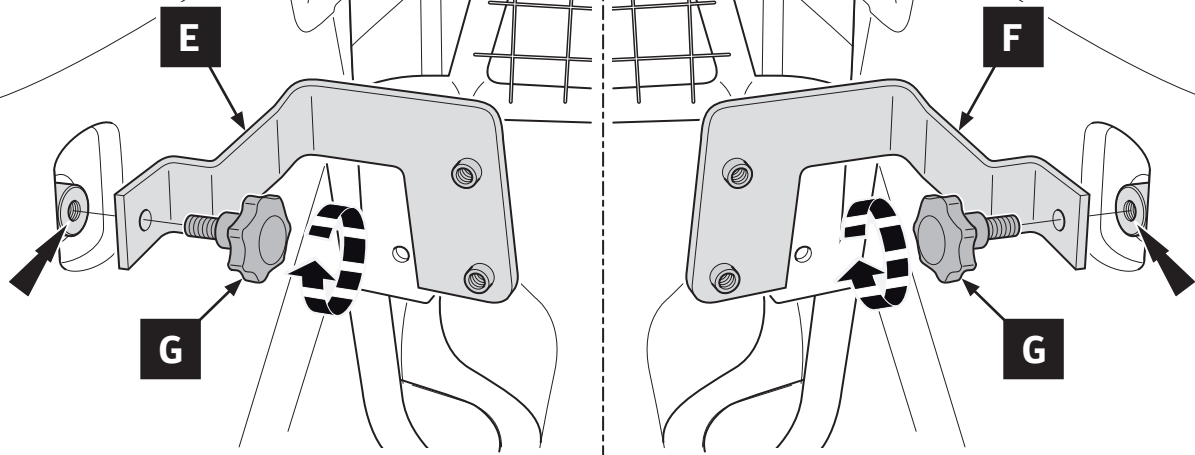


3

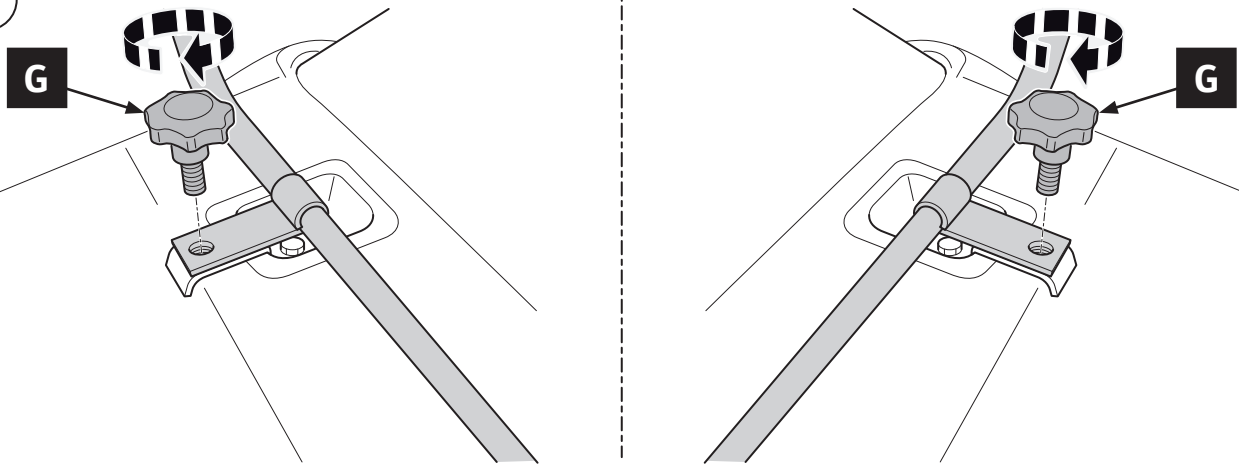


4

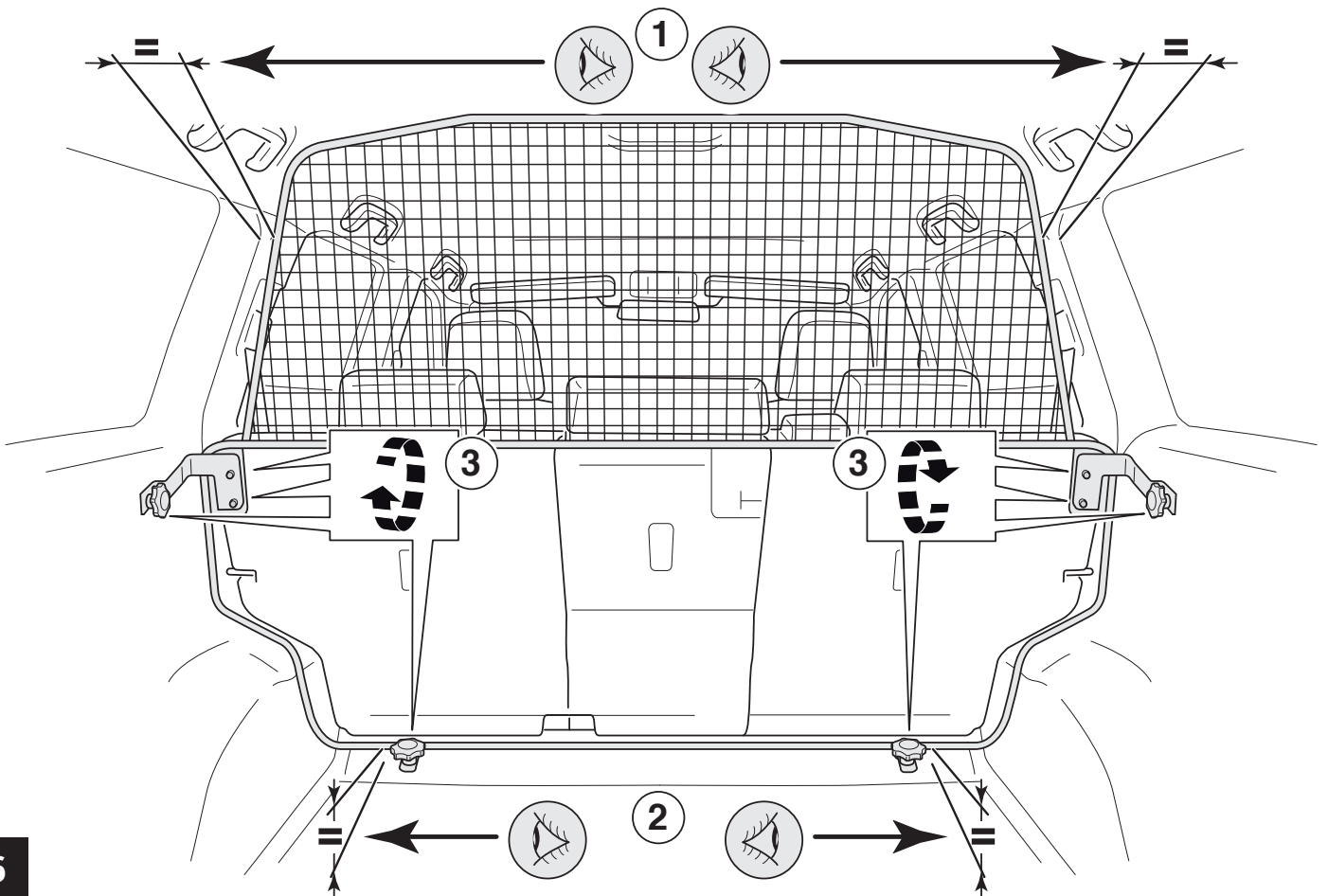
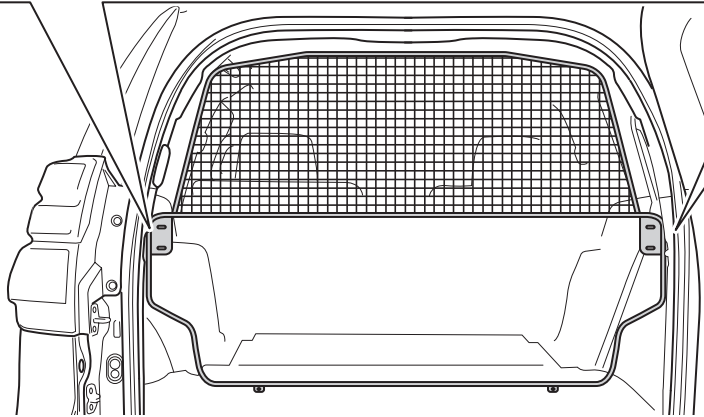
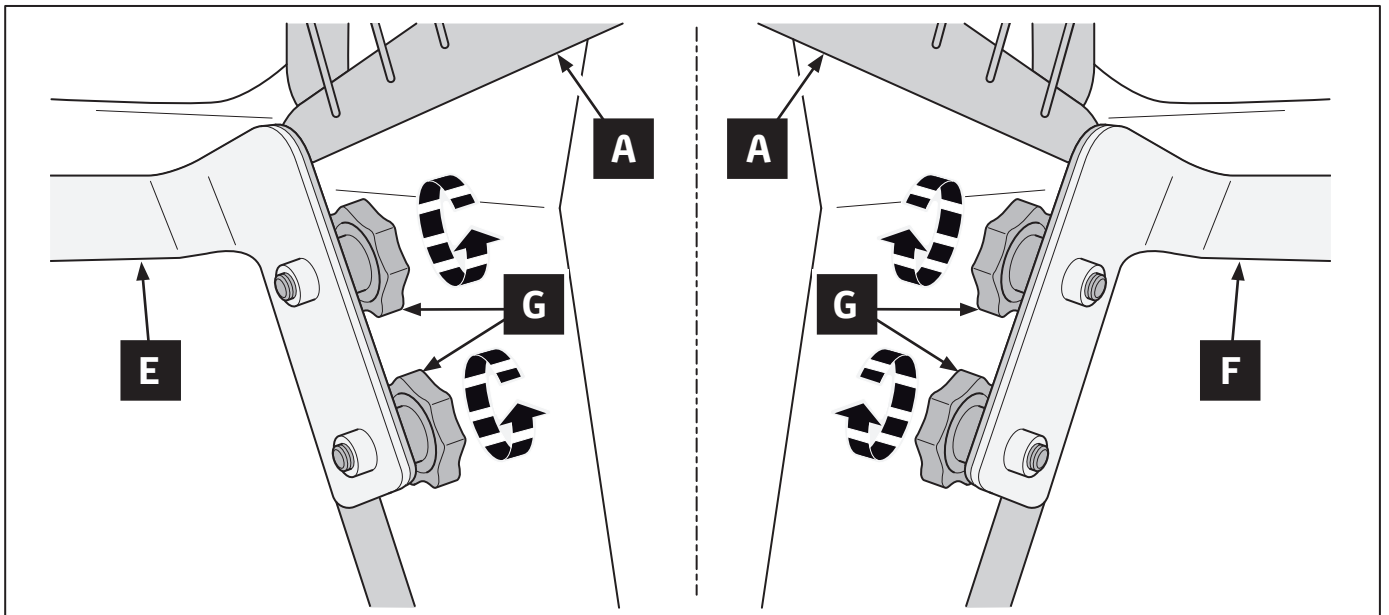
2



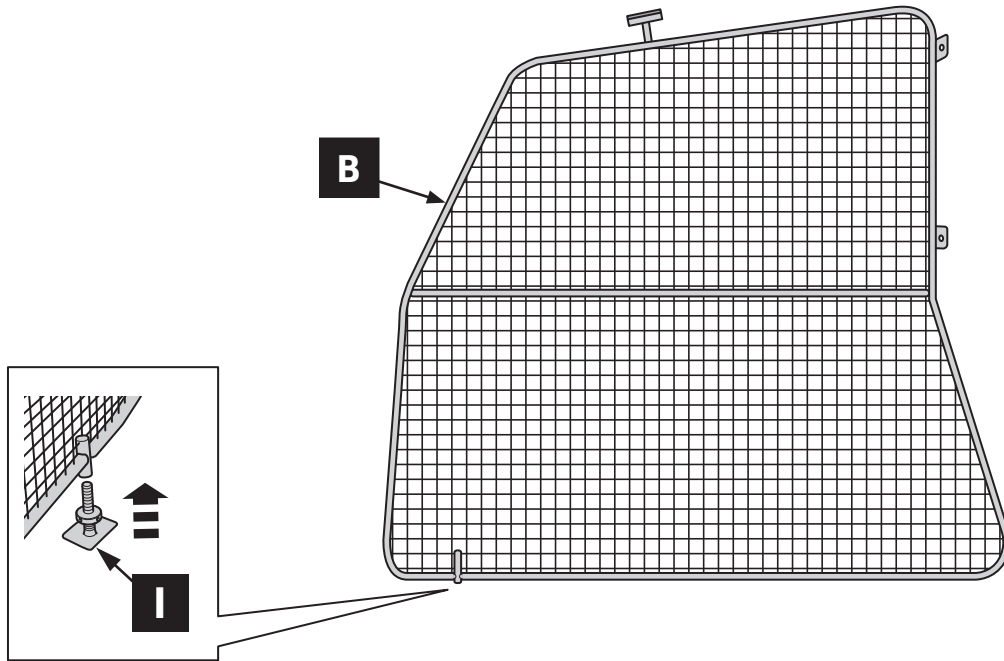
1



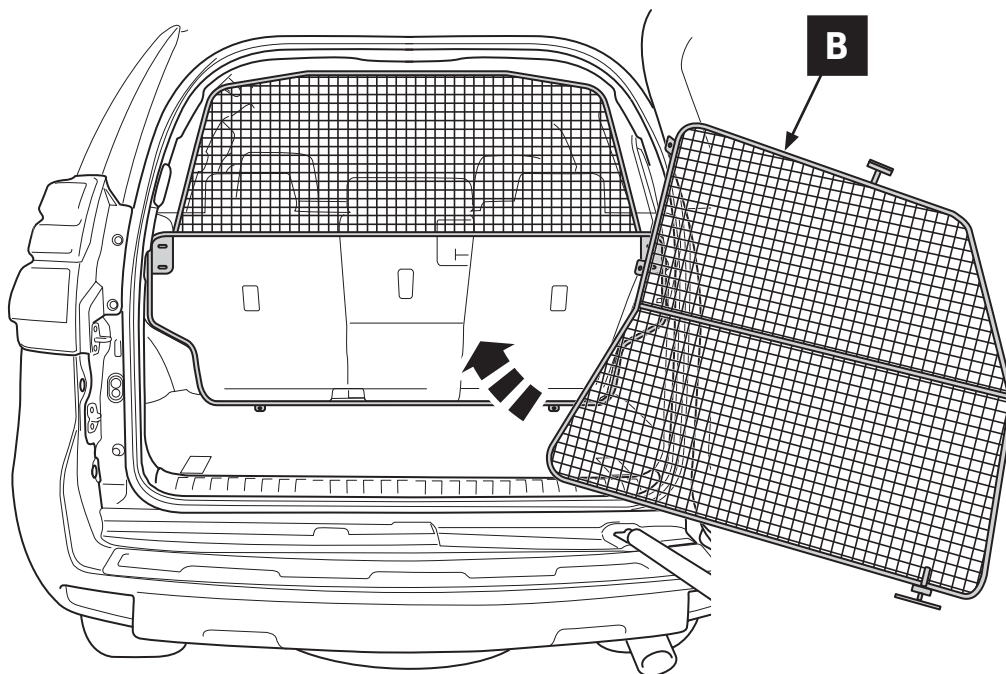
5



6

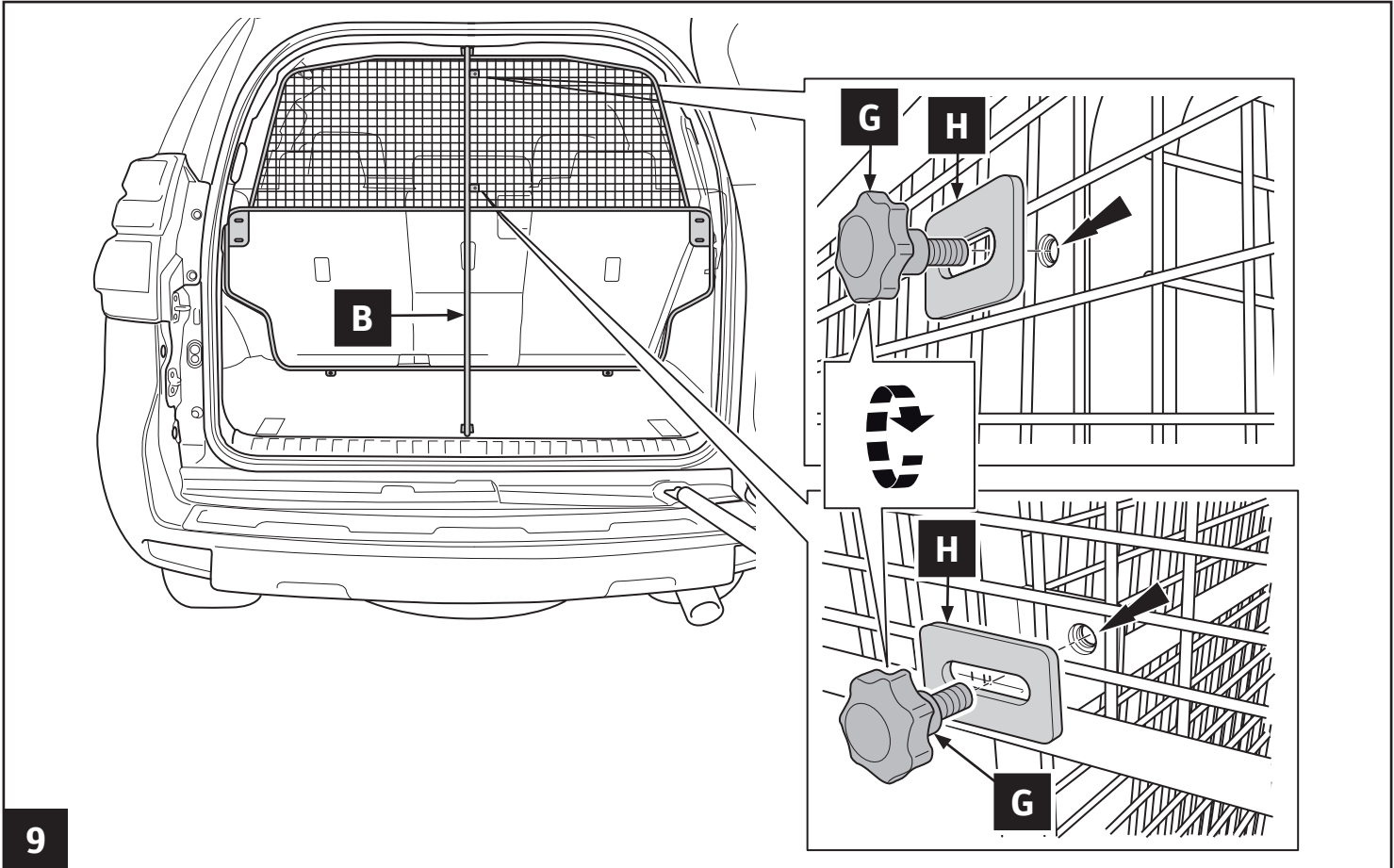


7

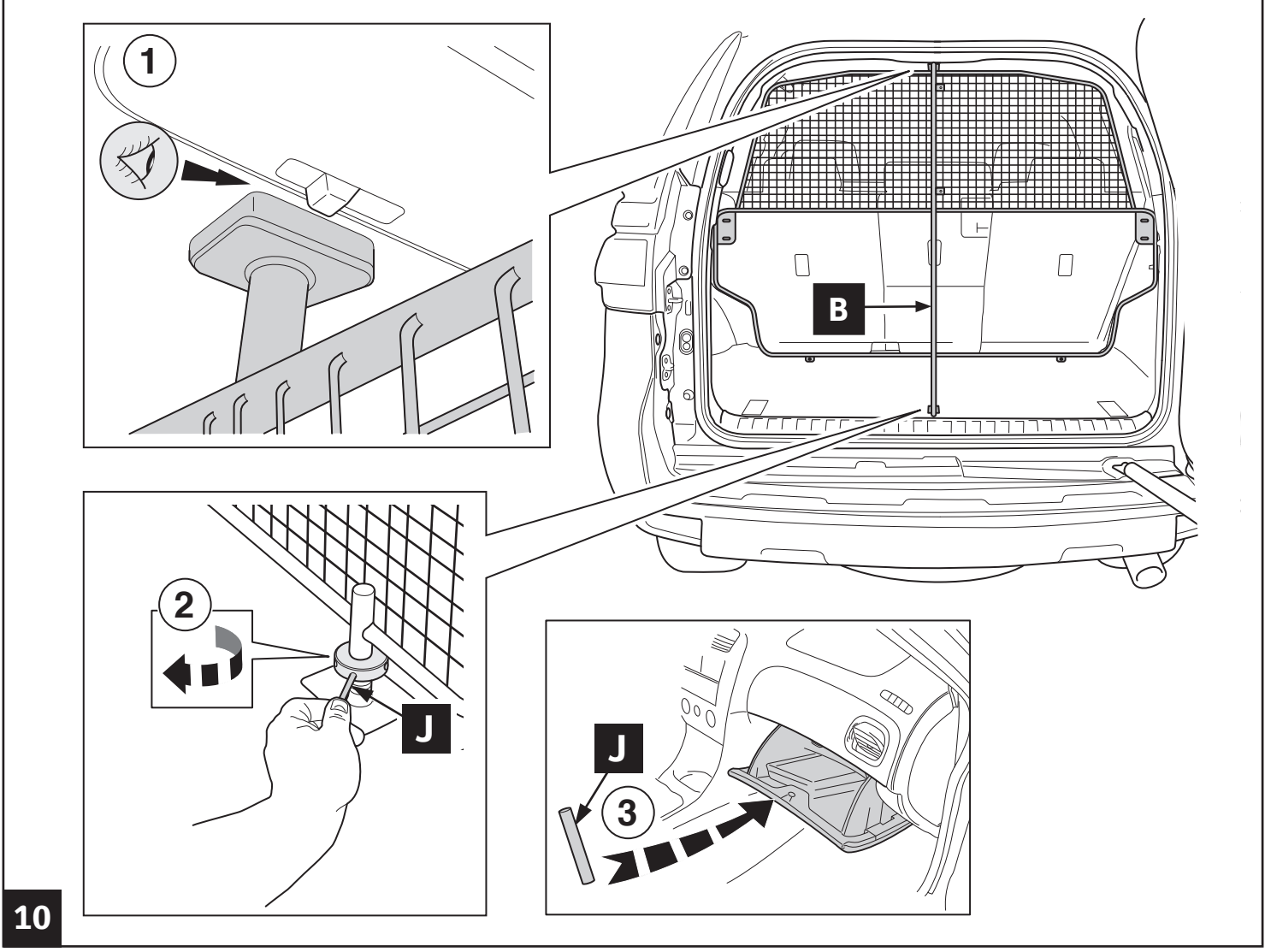


8

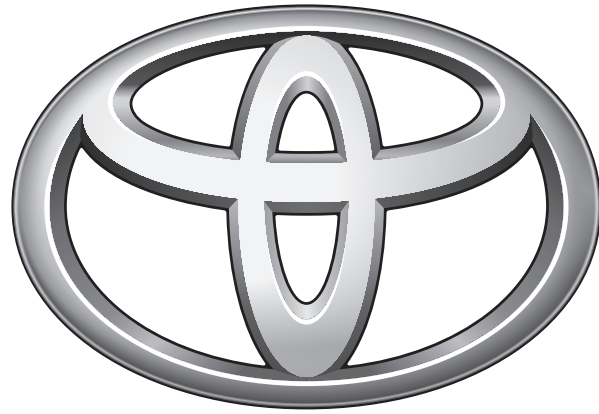




9

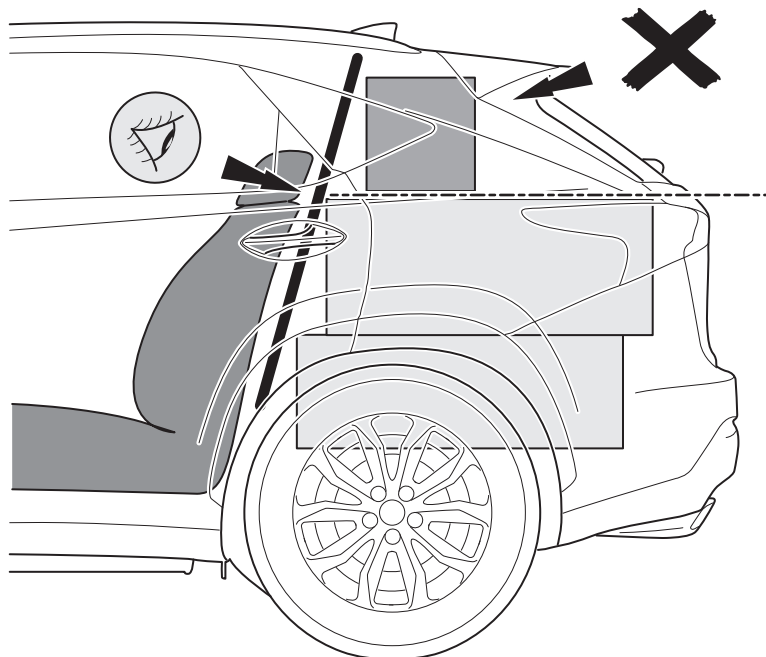
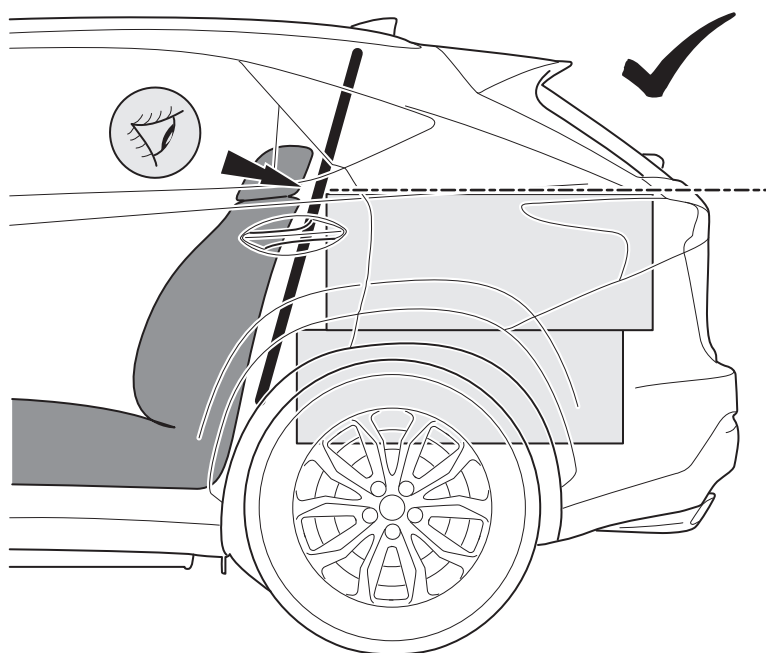
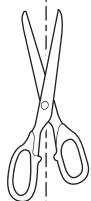
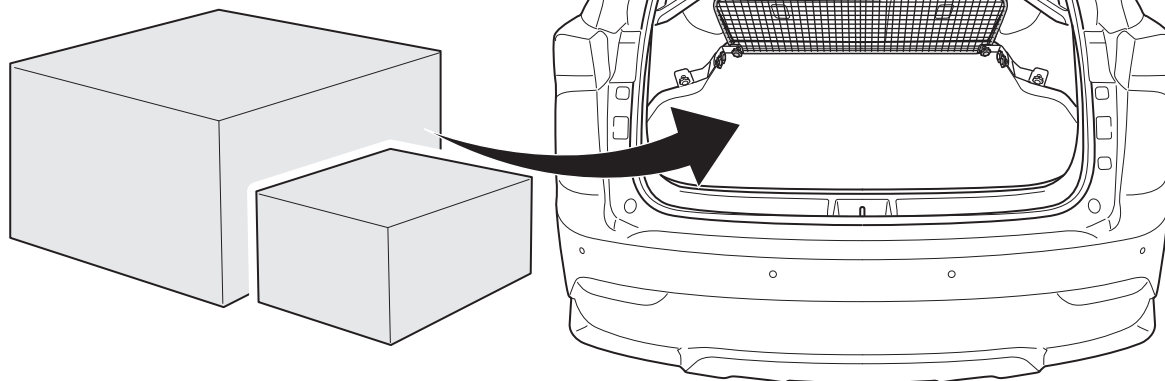


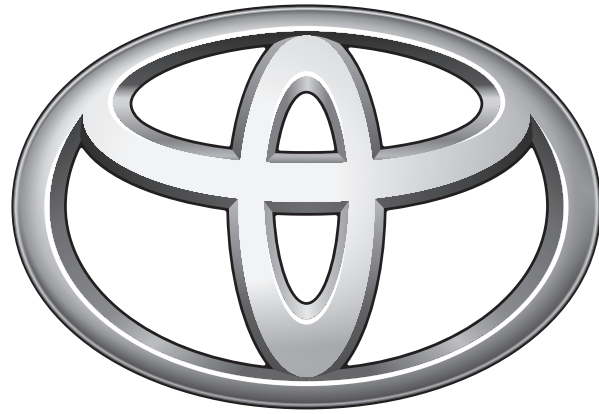
10



**TOYOTA**

# INFO





**TOYOTA**



TOYOTA

# CHECK SHEET

Model / Year

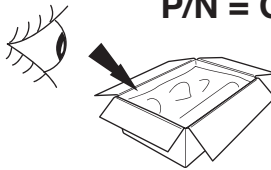
Land Cruiser  
2009/09, 2013/07, 2017/08

Dog guard  
with divider

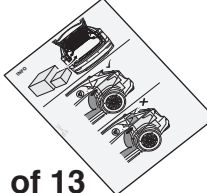
VIN n°

ALWAYS A  
BETTER WAY

**P/N = OK**

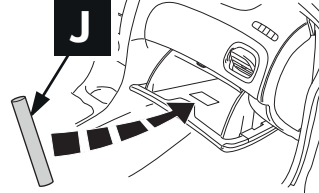


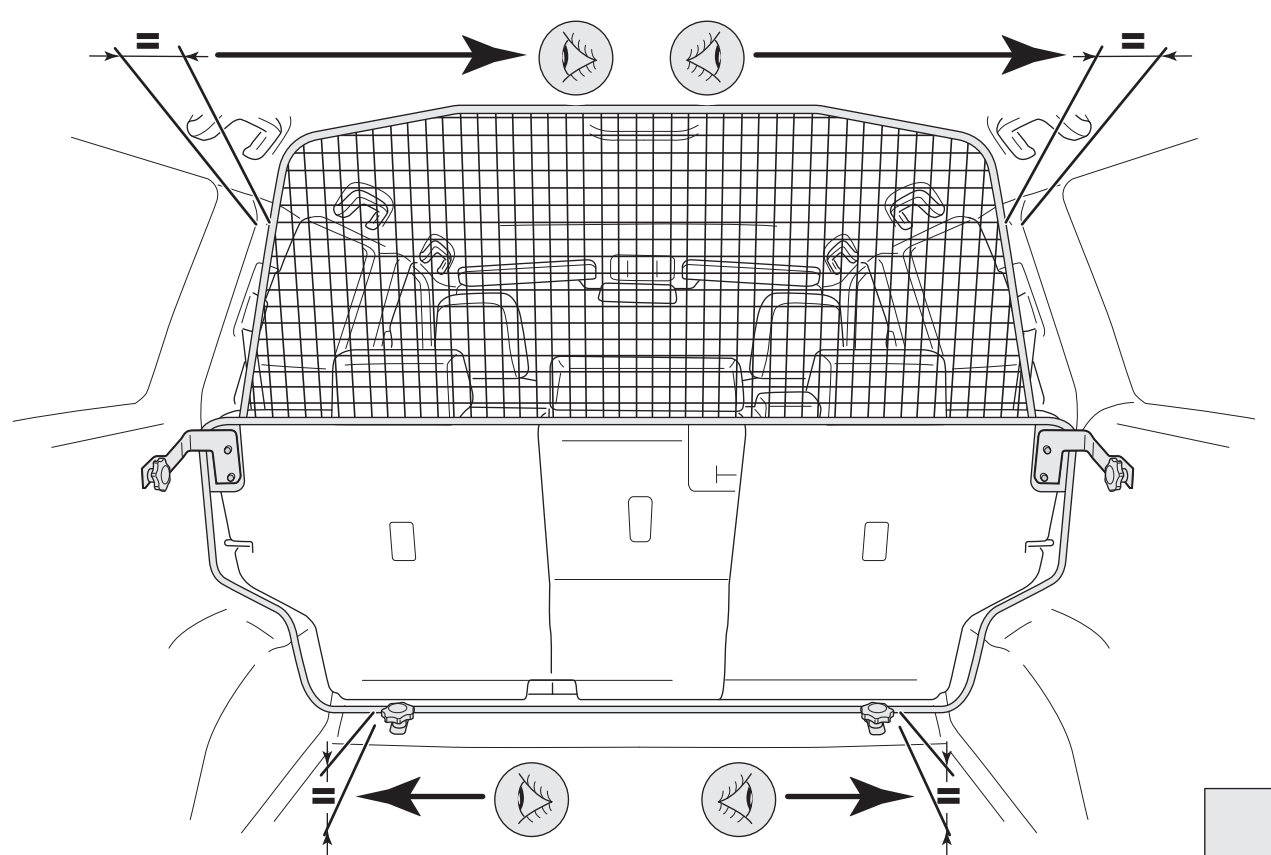

**INFO**

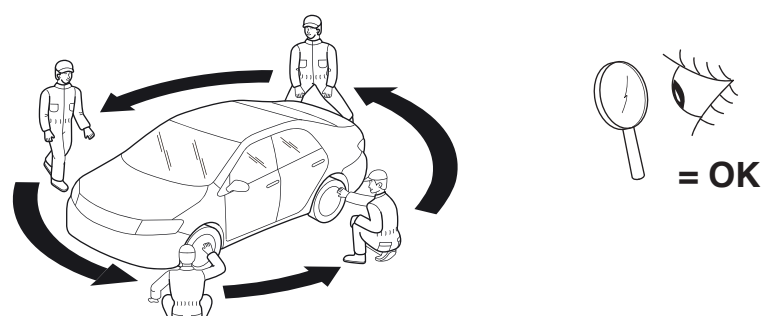


Page 11 of 13

**J**







**= OK**

Installation Date:

. . . / . . . / . . . .

Technician Name & Signature:

Stamp: