



TOYOTA

ALWAYS A
BETTER WAY

Camry

Rear Bumper Protection Plate (Stainless Steel)

Installation Instructions

Model year: As from 2017/09

Vehicle code: **V*7**-*E****

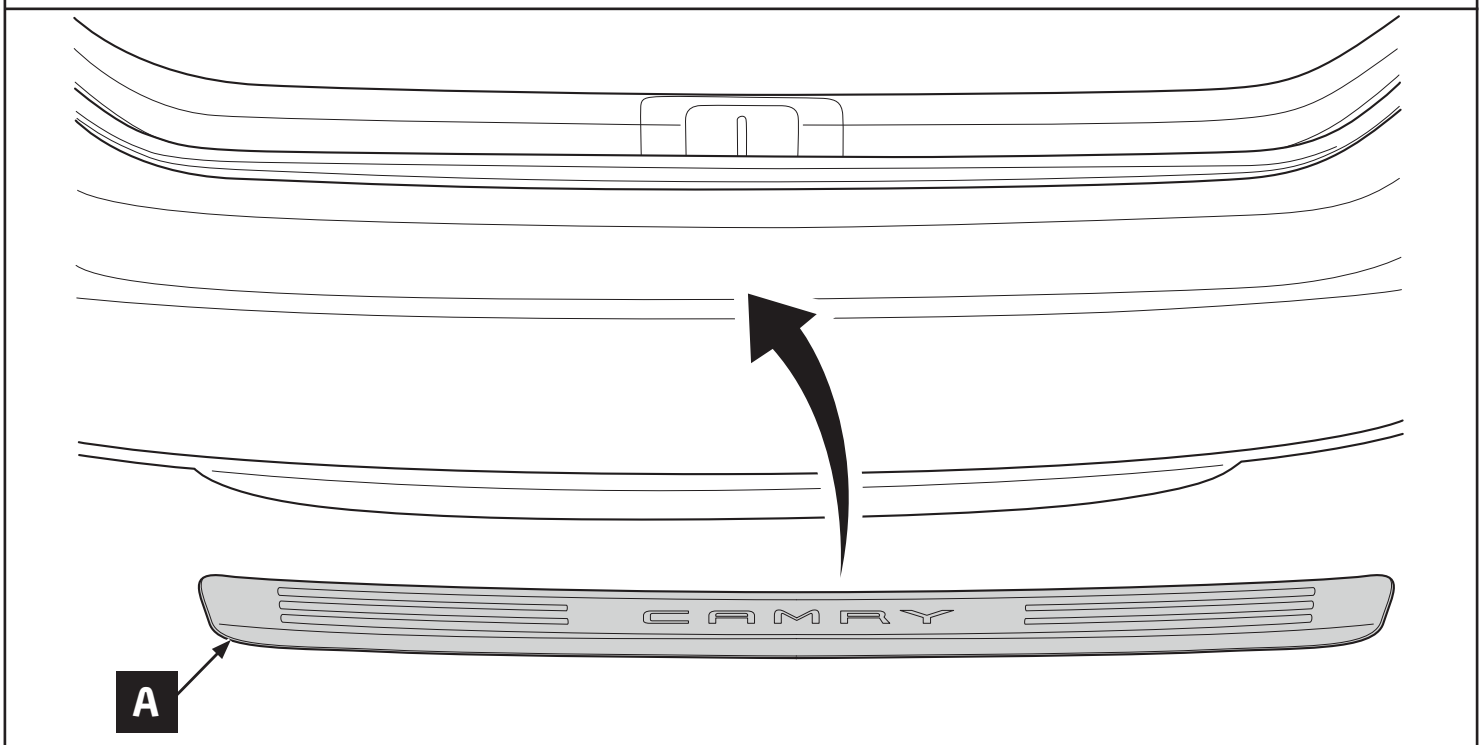
Part number: PW178-06001

Manual reference number: AIM 004 159-4

Revision record

Rev. No.	Date	Page	Step	Remarks
△ ₃	03.05.2019	4-7	4-7, 10-13	Tapes updated
△ ₃	03.05.2019	5-7	9-12	Double-sided tapes updated
△ ₄	11.06.2020	1		Title & Model year updated
△ ₄	11.06.2020	8, 9	Info, CS	Info updated

PW178-06001



		<p>AIM 003 516-*</p>	

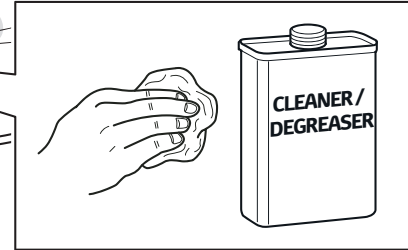
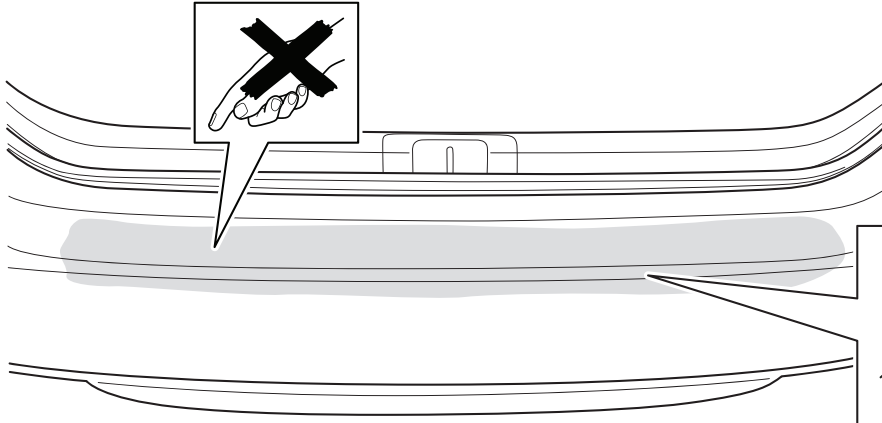
Material Safety Data Sheet



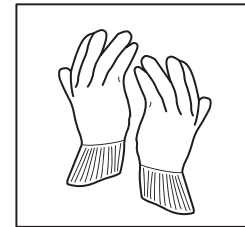
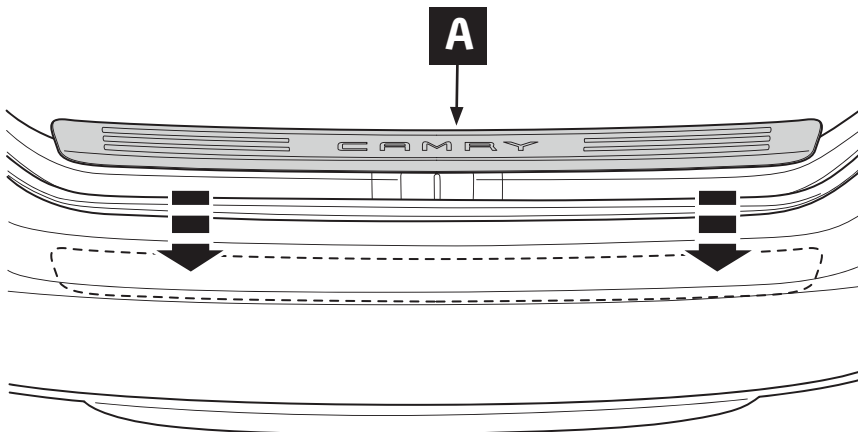
40°C
18°C



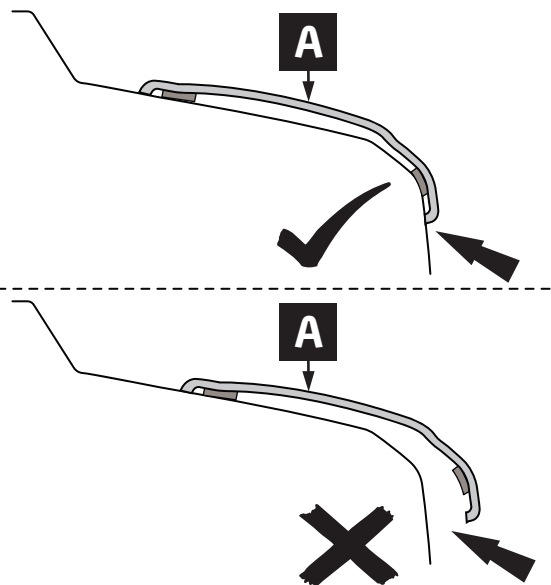
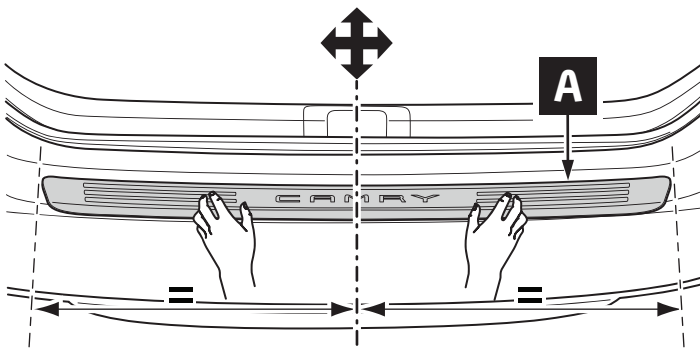
Technical Data Sheet



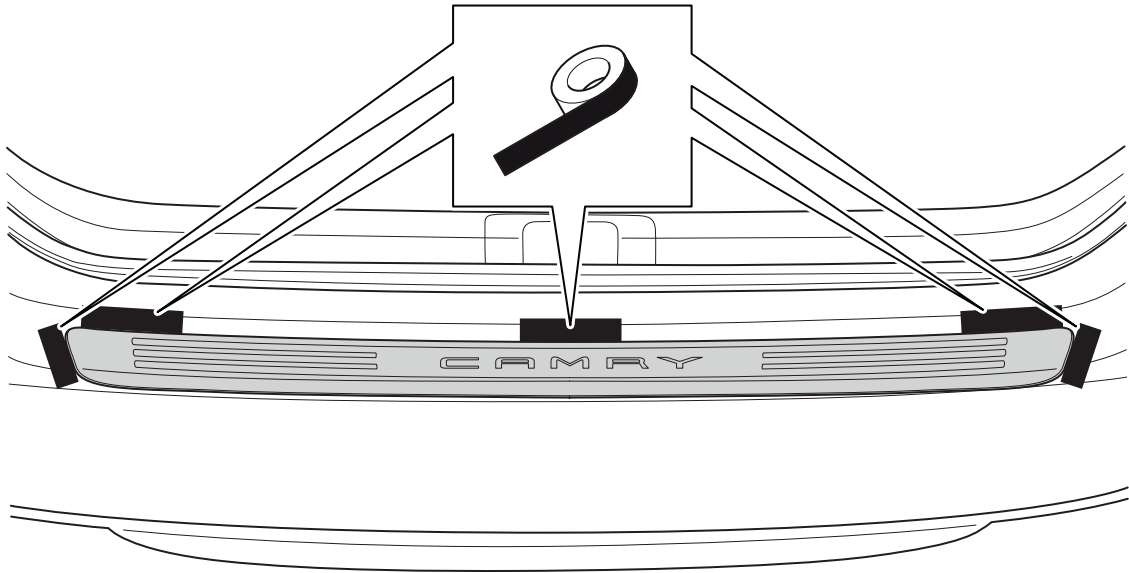
1



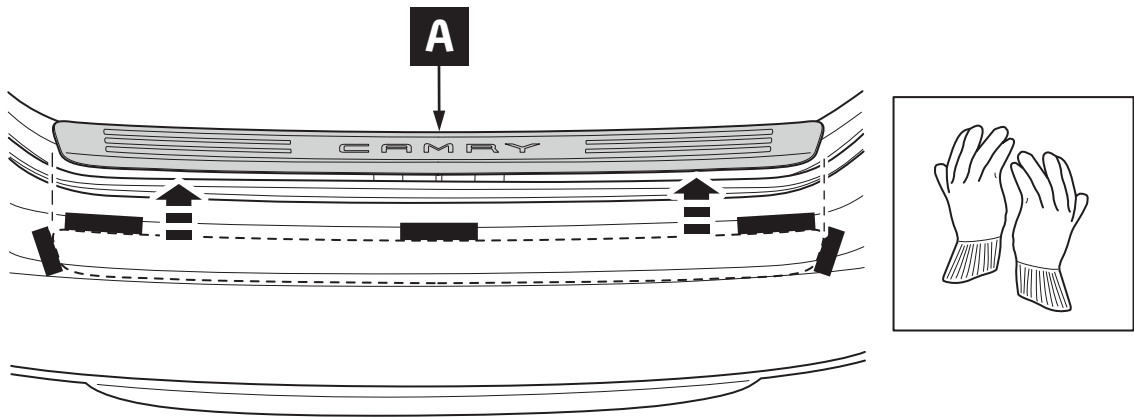
2



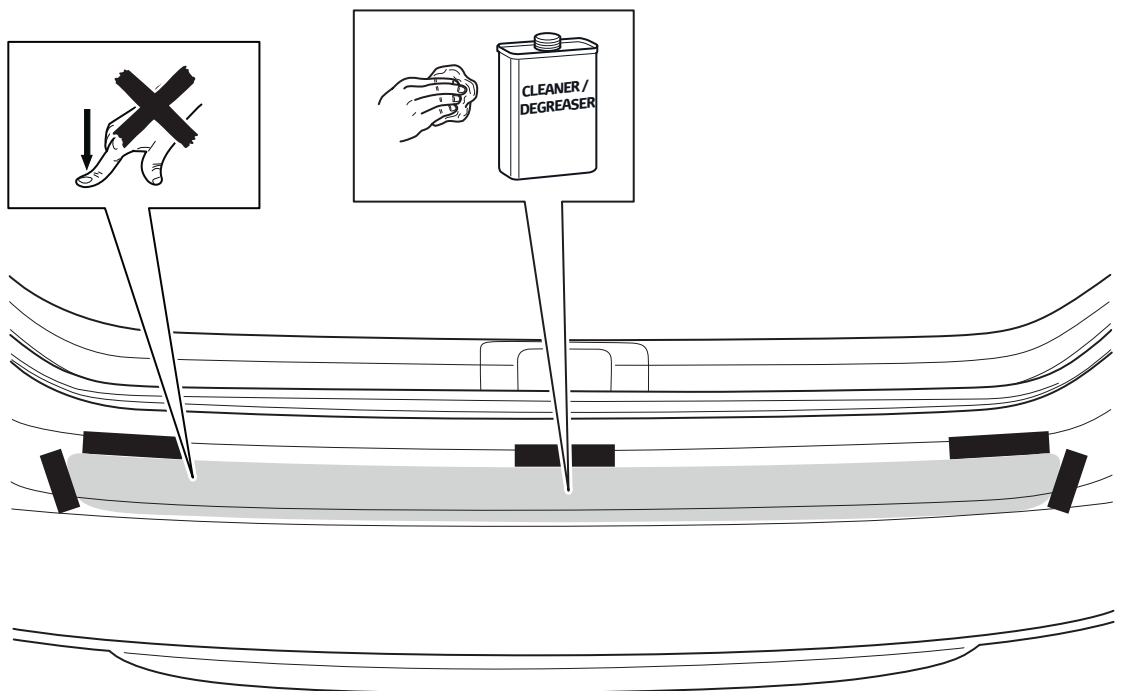
3



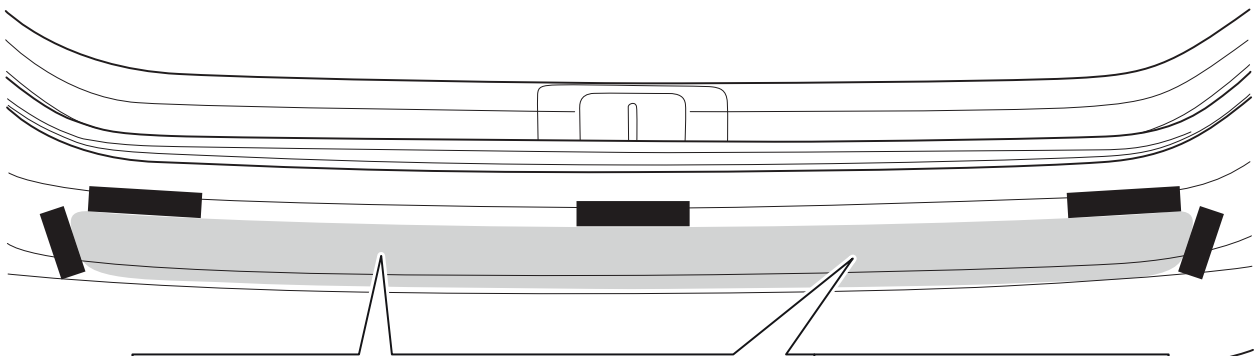
4



5

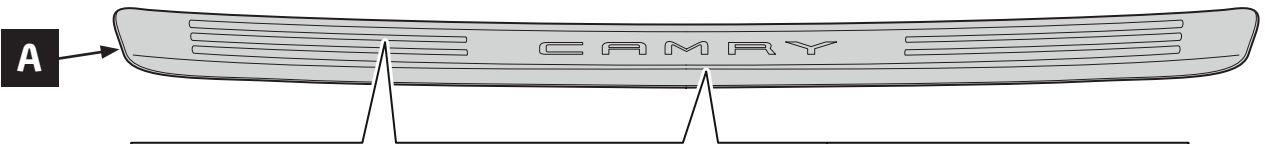


6



<p>1</p> <p>? °C</p>	<p>< 20°C → 2</p> <p>20°C - 40°C → 8</p>	<p>2</p> <p>+ °C</p>
<p>3</p> <p>? °C</p>	<p>20°C - 40°C → 8</p>	<p>INFO</p> <p>7 → 14</p>

7



<p>1</p> <p>? °C</p>	<p>< 20°C → 2</p> <p>20°C - 40°C → 9</p>	<p>2</p> <p>+ °C</p>
<p>3</p> <p>? °C</p>	<p>20°C - 40°C → 9</p>	<p>INFO</p> <p>8 → 14</p>

8

50mm

50mm

50mm

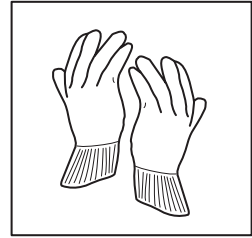
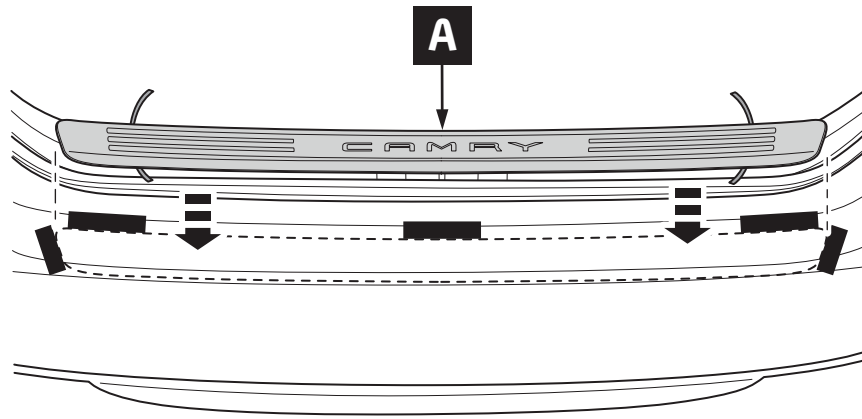
50mm

A

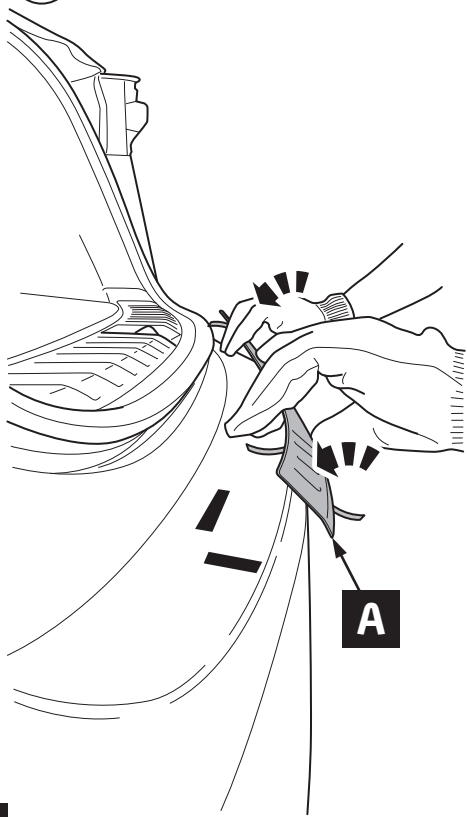
* → [Trash can icon]

[Warning icon: sharp tool with X]

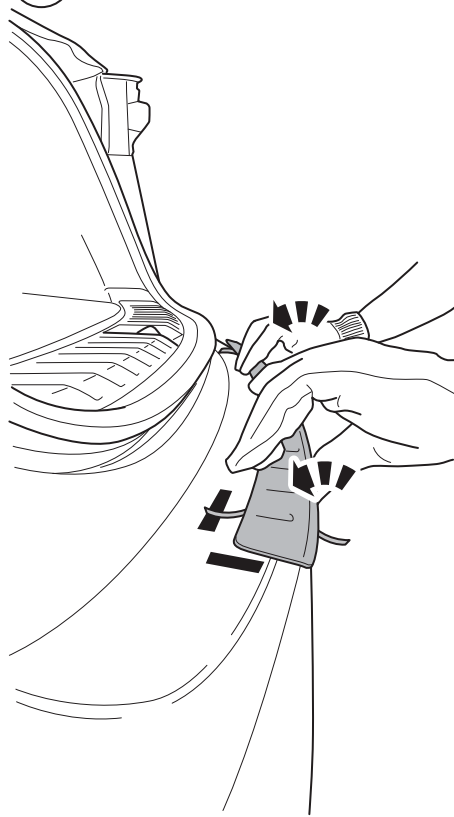
9



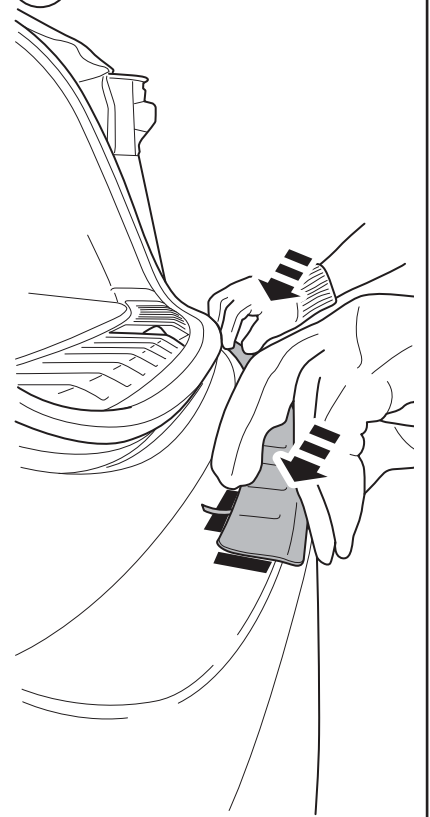
1



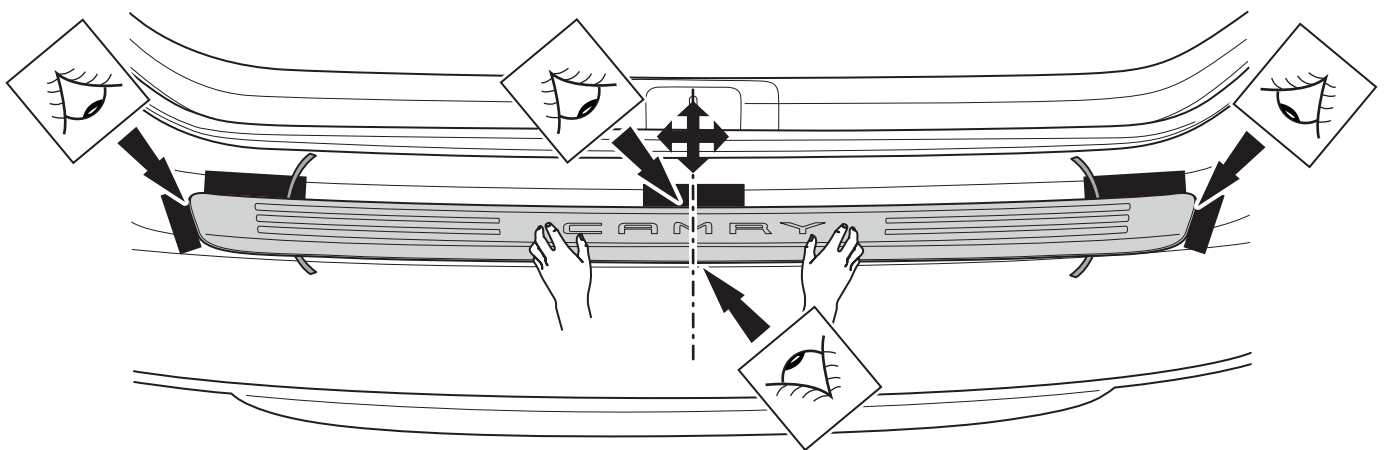
2



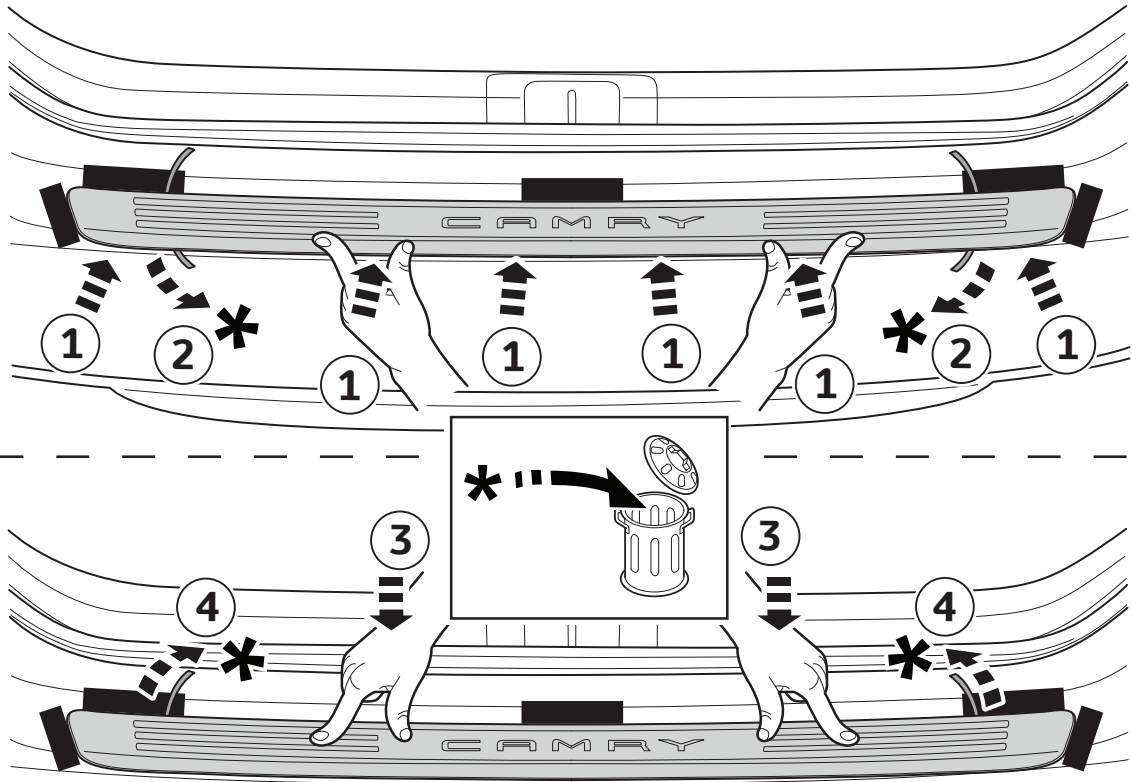
3



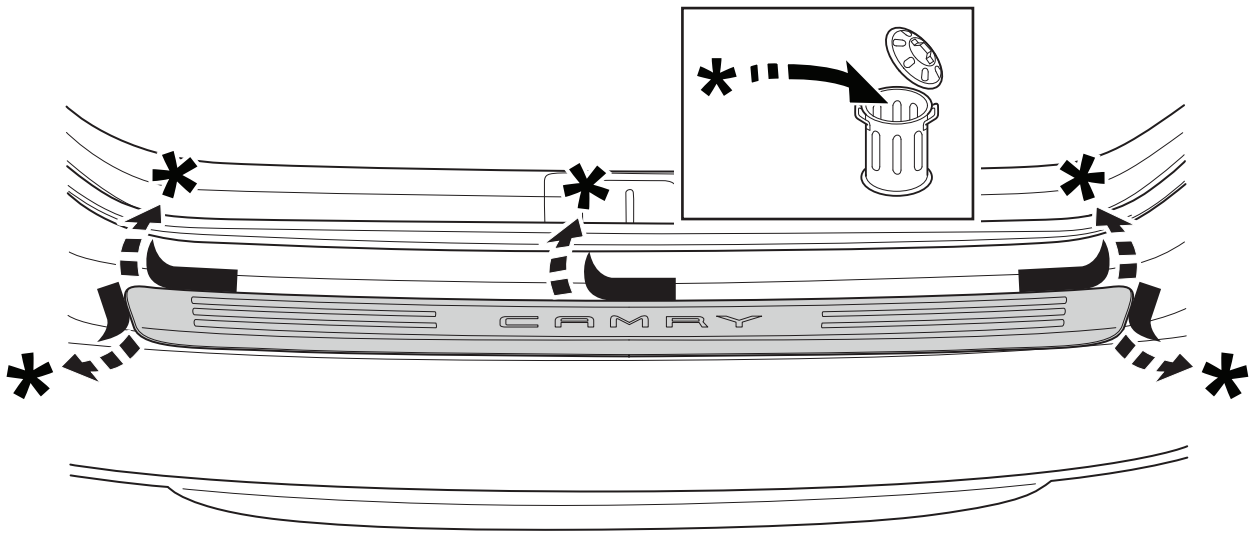
10



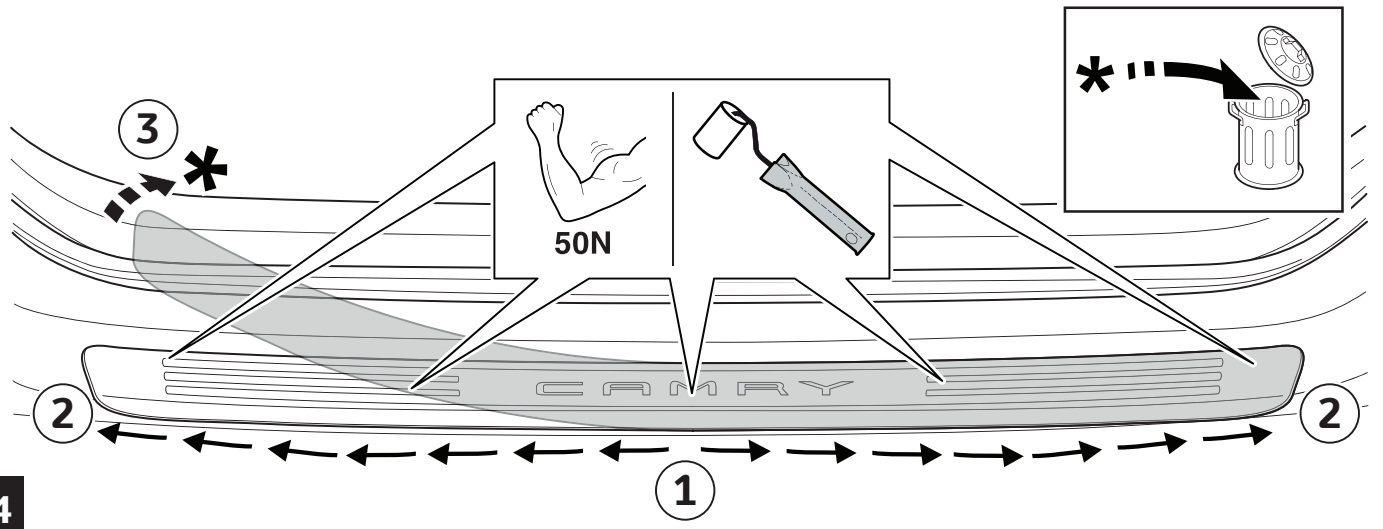
11



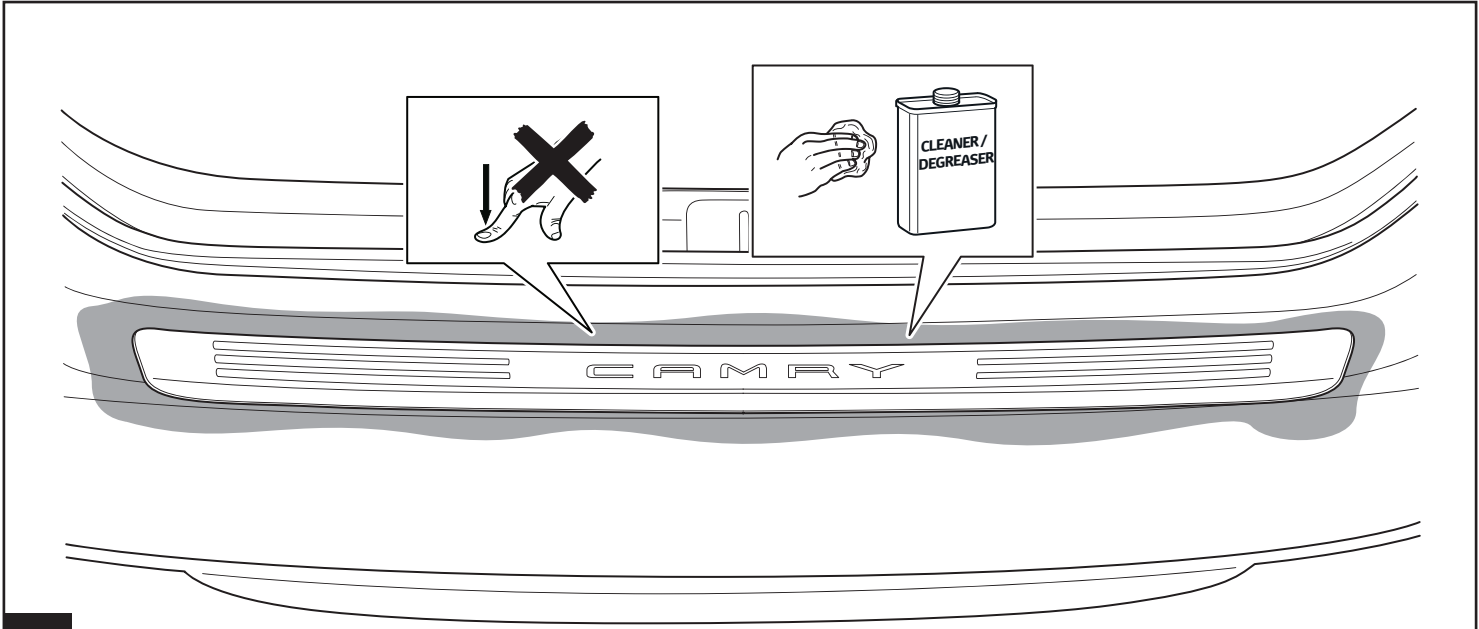
12



13

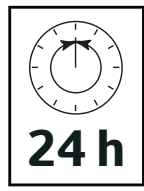
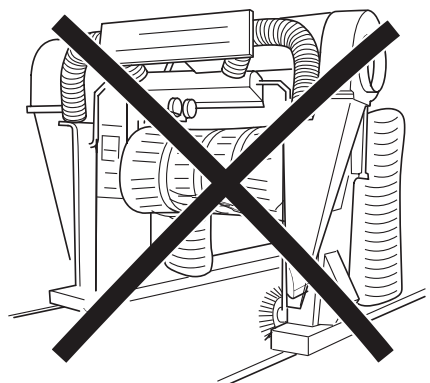
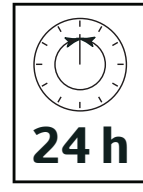
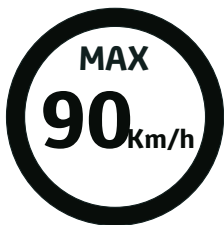
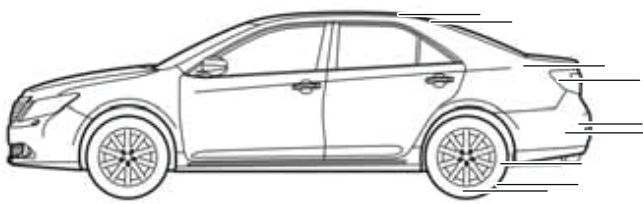
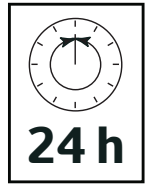


14

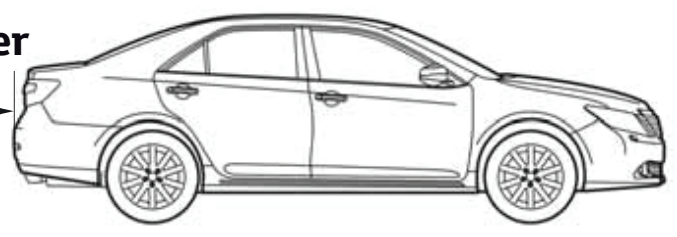
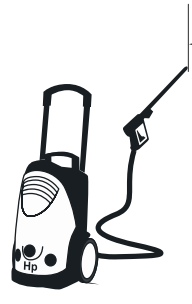


15

INFO



> 0,5 meter



CHECK SHEET



TOYOTA


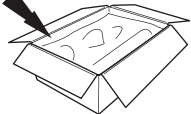
Model/Year Camry As from 2017/09

**Rear Bumper
Protection Plate
(Stainless Steel)**

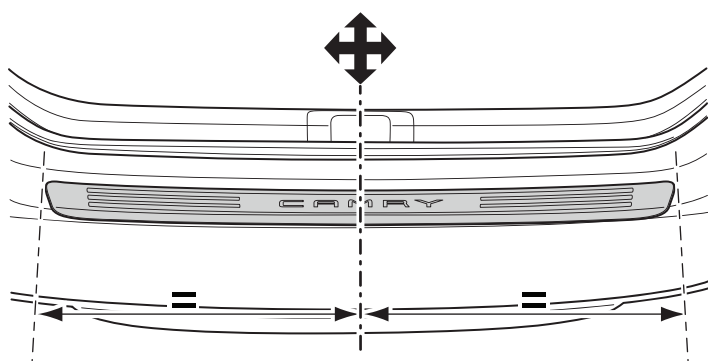
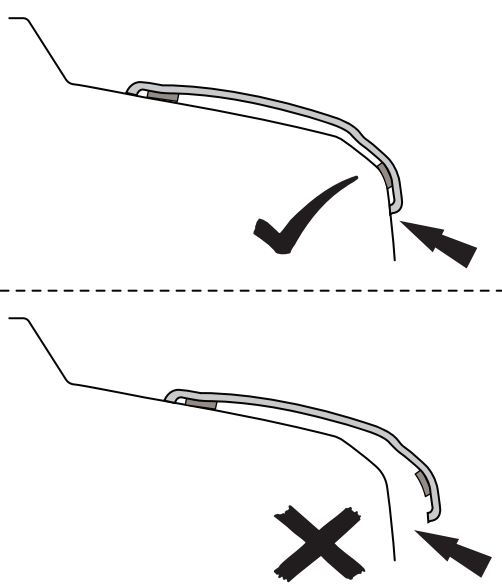
VIN n°

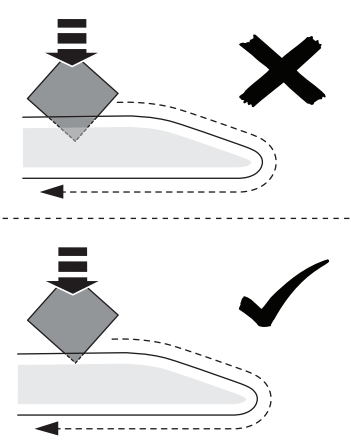
ALWAYS A
BETTER WAY

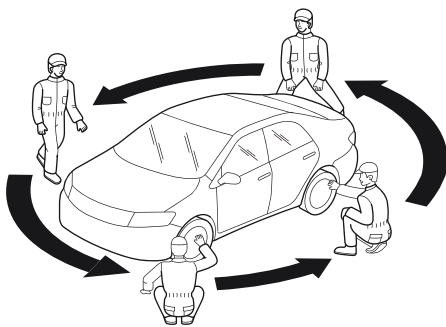
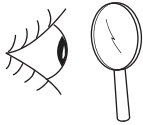
DURING INSTALLATION

1  **P/N = OK** 

AFTER INSTALLATION

1  

2 

3   = OK

Installation Date:
... / ... /

Technician Name & Signature:

Stamp:

