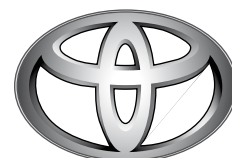


Auris Touring Sport Conventional

N1Kit TDK with Steel Separator

Installation instructions



TOYOTA

ALWAYS A
BETTER WAY

Model year: 2013/06 , 2015/05

Vehicle code: N*E18*L-DW***W,WWE185L-DWF*XW,ZRE185L-DW**PW

Part number: PZ449-E5E30-00


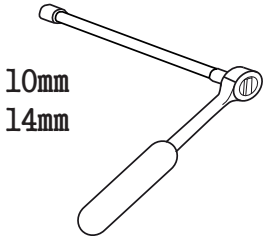
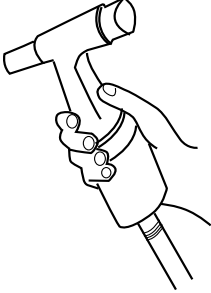
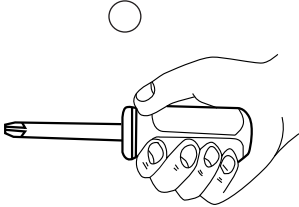

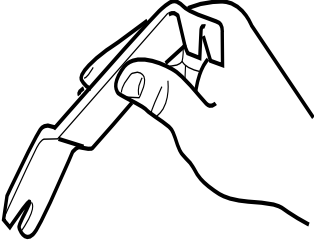
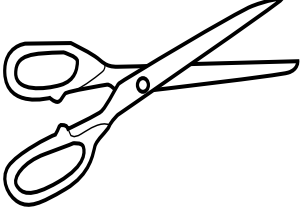
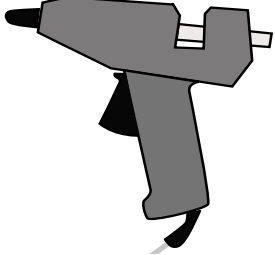
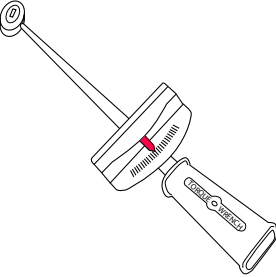
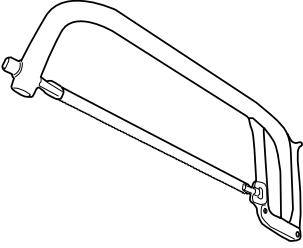
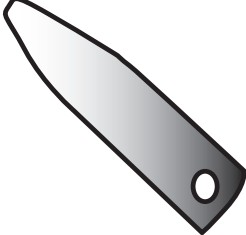
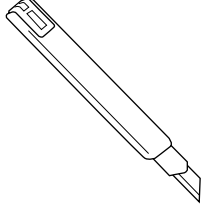
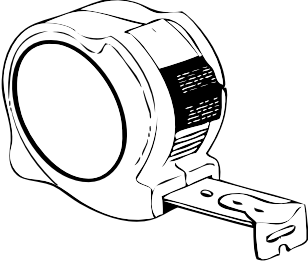
Weight: 39,9 kg

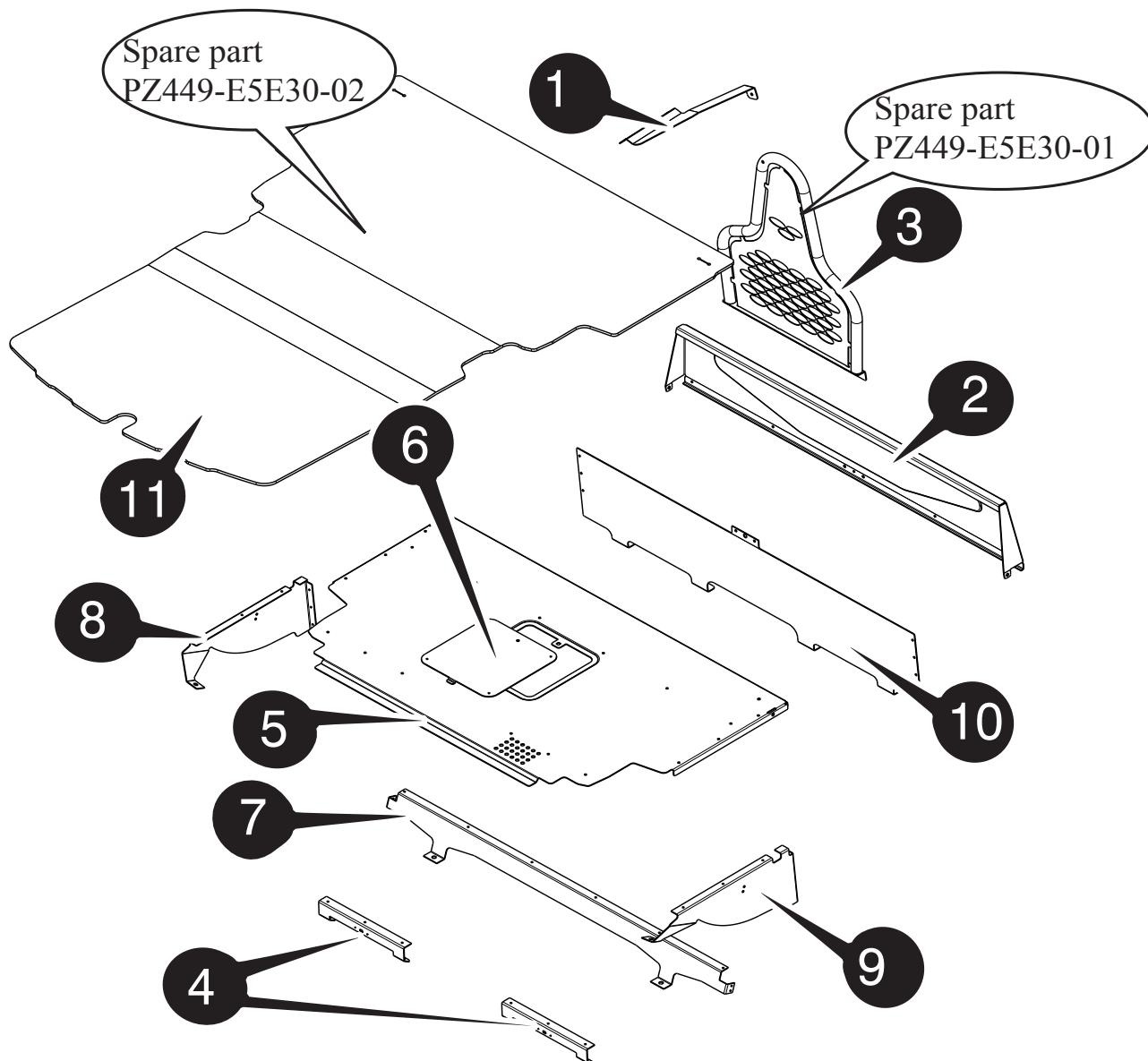
Manual reference number:AIM 003 230-4

Revision Record

Rev nr	Date	Page	Picture	Update	New	Deleted steps
1	2015-03-09	1	Model year, Vehicle code	x		
2	2015-05-26	13	47	x		
2	2015-05-26	21		x		
3	2015-06-02	21		x		
4	2016-07-04	5 18,19,20	Fitting kit 78 - 87	x	x	

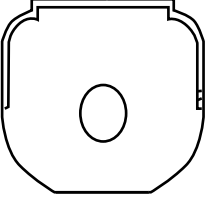

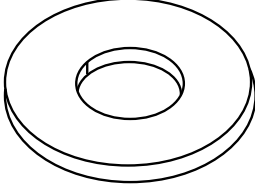
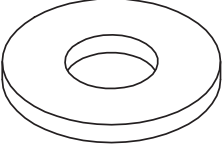
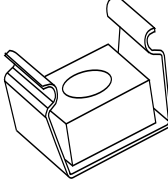
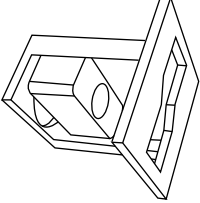
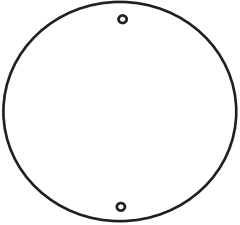
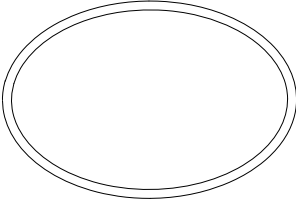
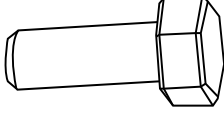
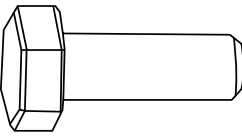
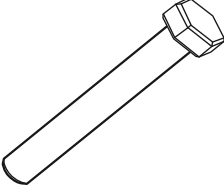
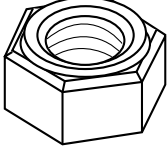
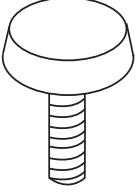
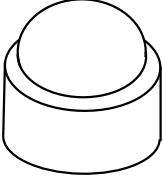
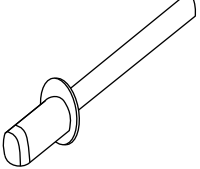
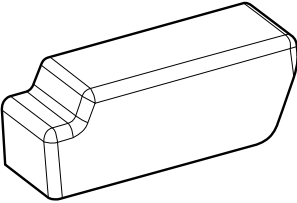
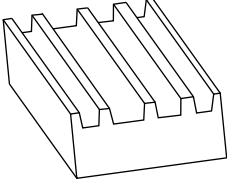
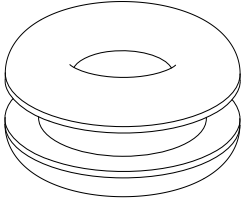
Tools

	 10mm 14mm		
 10mm			
			
			

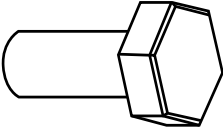
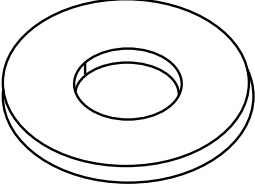
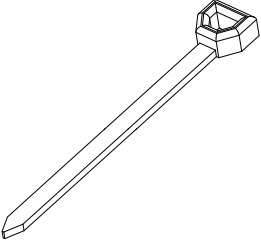
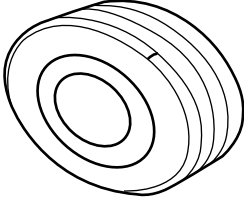


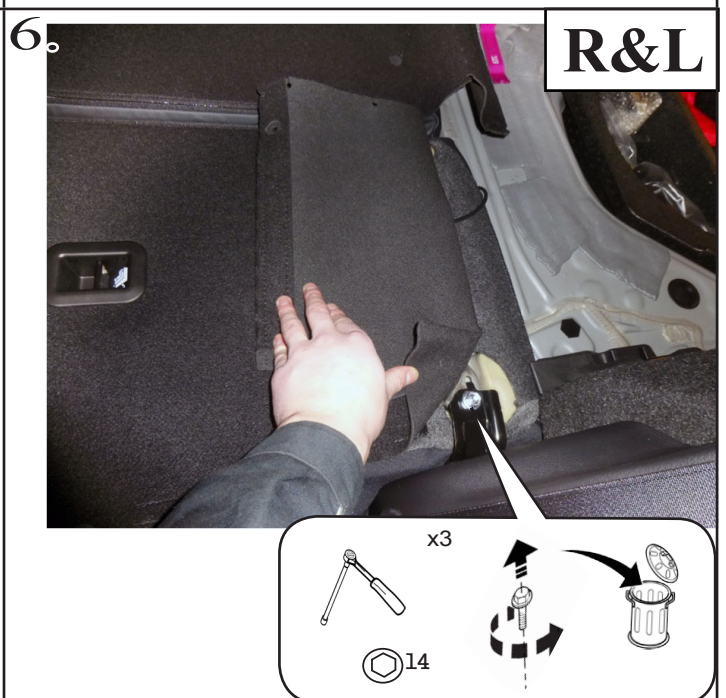
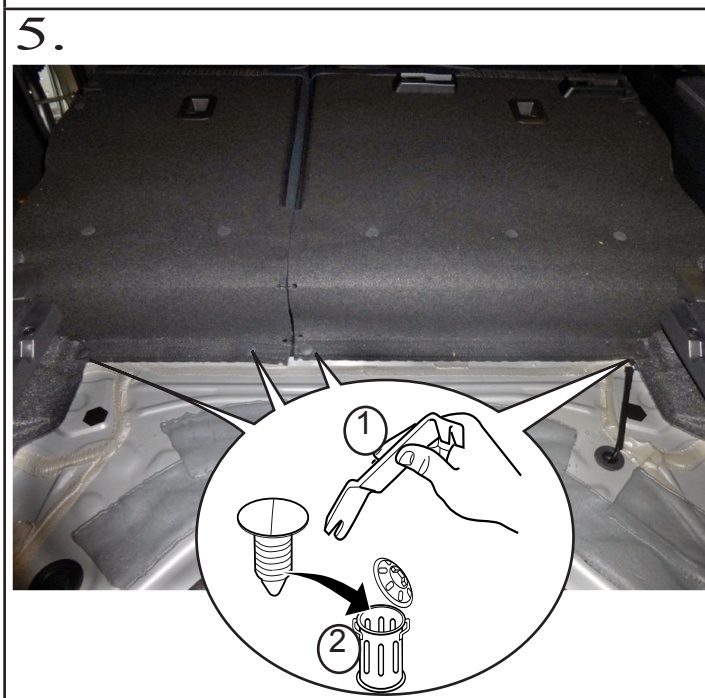
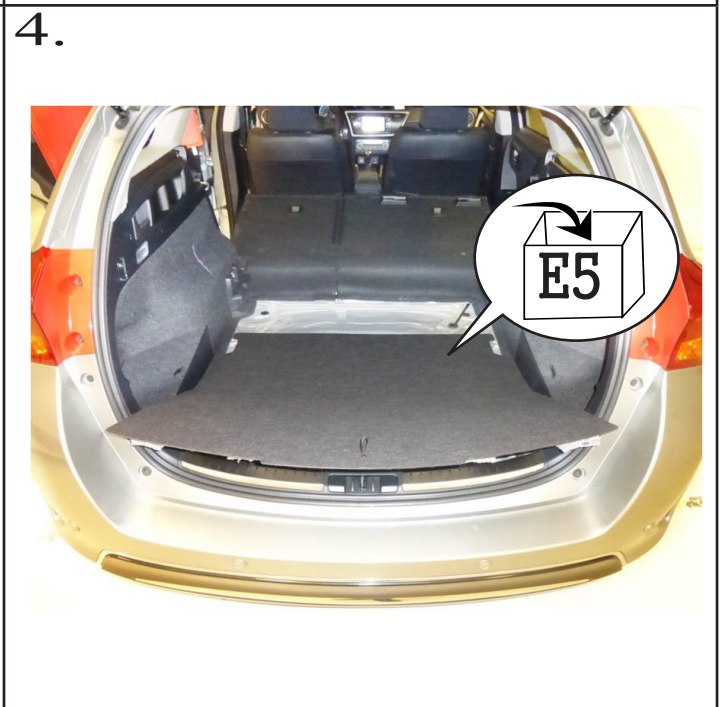
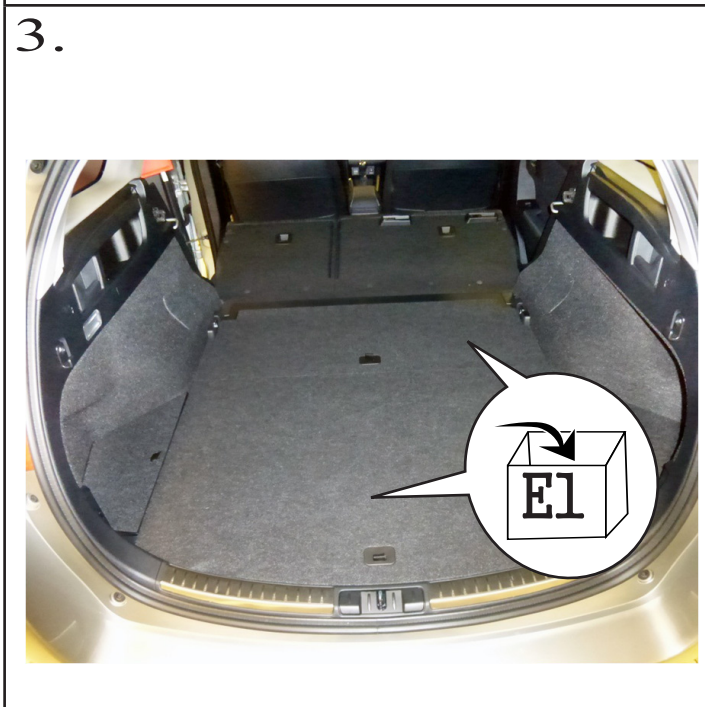
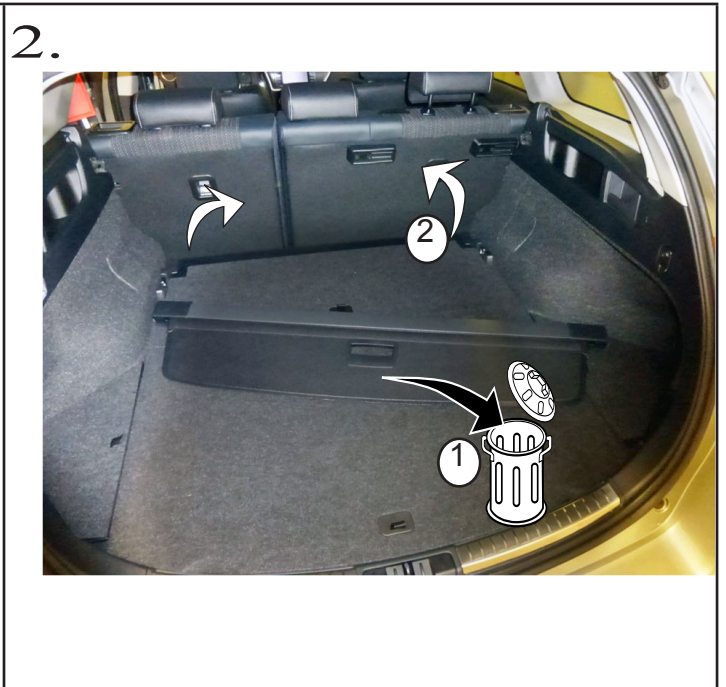
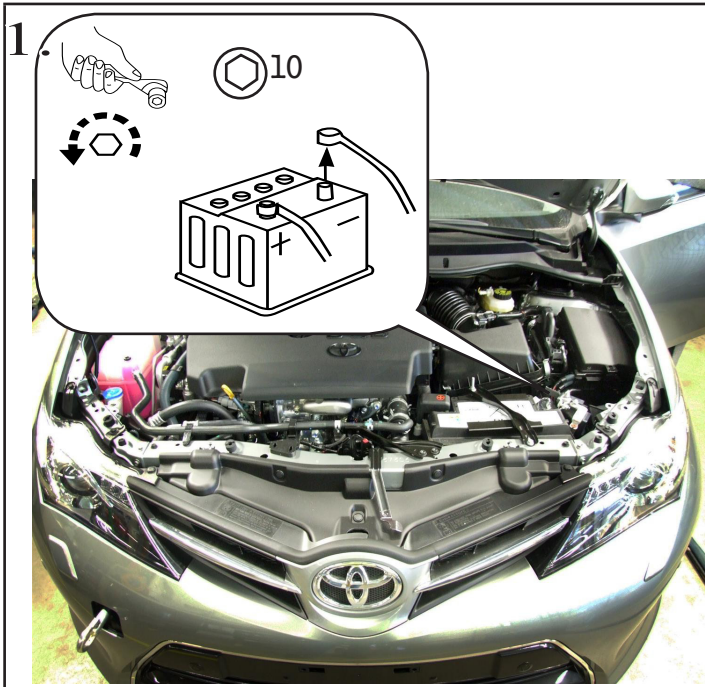
Bill of Material: 15008665			
Number	Quantity	Part Number	Definition
1	1	15008650	Handle bracket
2	1	15008648	Lower seperator
3	1	15009046	Half Top Tube Separator
4	2	15008642	Floor support Rear
5	1	15008666	Front floor Conventional
6	1	15008651	Floor hatch fuelpump
7	1	15008667	Floor Support Front
8	1	15008668	Side Cover Left
9	1	15008669	Side Cover Right
10	1	15008670	Front Cover
11	1	15008654	Full carpet floor
	1	15008671	Fitting kit

Spare part - PZ449-E5E30-60

<p>1. A 500252 2 PCS</p> 	<p>2. A 500250 2 PCS</p> 	<p>3. A 6,4x15x1,5 4 PCS</p> 
<p>4. A 6,4x15x1,5 S 16 PCS</p> 	<p>5. A 123-M6-2C ZC 3 PCS</p> 	<p>6. A MP 8236A 2 PCS</p> 
<p>7. A 15008672 2 PCS</p> 	<p>8. A 05-97062 2 PCS</p> 	<p>9. A 6x16 6K 3 PCS</p> 
<p>1. B 6x20 6K 8 PCS</p> 	<p>2. B 6x45 6K 1 PCS</p> 	<p>3. B 6 NMU 8 PCS</p> 
<p>4. B M6x20 Rattskrue 1 PCS</p> 	<p>5. B 221 M06SW10 S 13 PCS</p> 	<p>6. B 5x12 NSS 32 PCS</p> 
<p>7. B 05100973 2 PCS</p> 	<p>8. B 36.721004 5 m</p> 	<p>9. B 042 0601 2 PCS</p> 

Spare part - PZ449-E5E30-60

<p>1. C 10x25 6KF 2 PCS</p> 	<p>2. C 10,5X20X2 2 PCS</p> 	<p>3. C 218 036 014 1 PCS</p> 
<p>4. C 561 528 2 PCS</p> 		



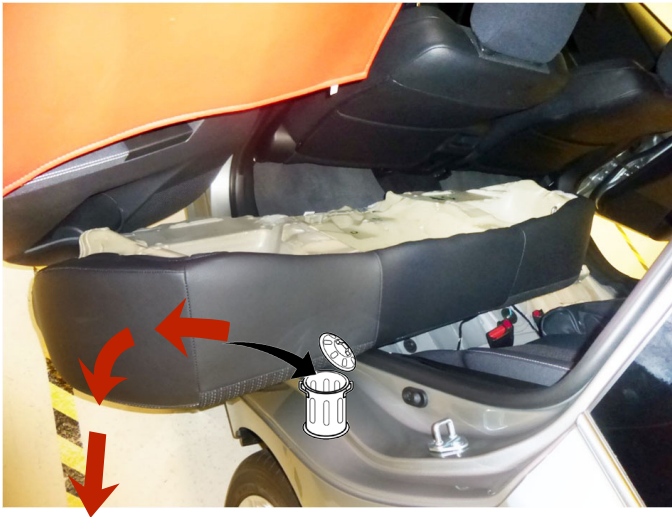
7.



8.



9.



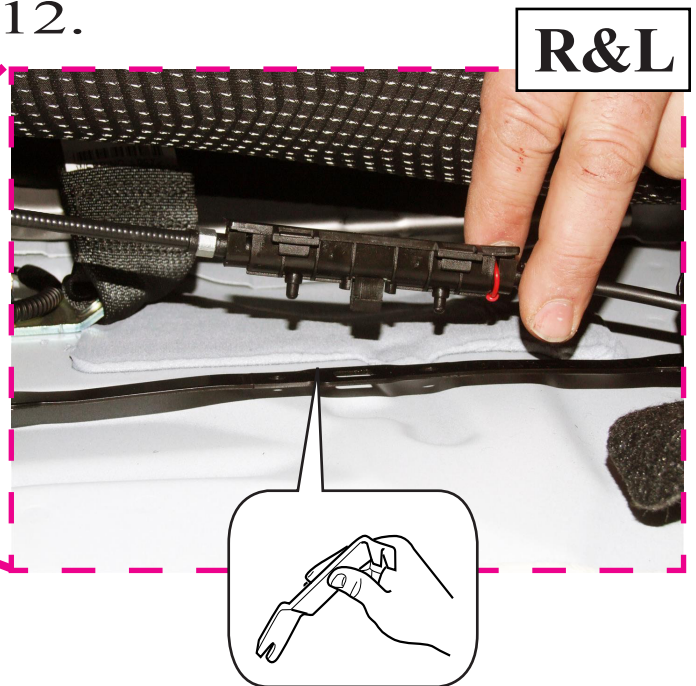
10.



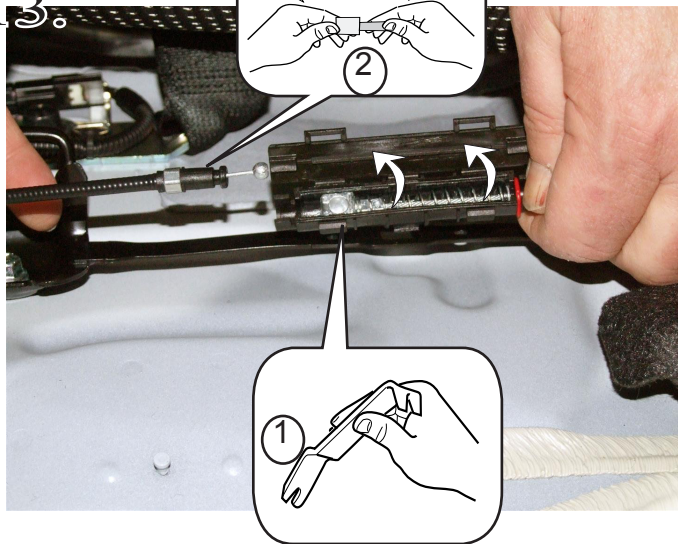
11.



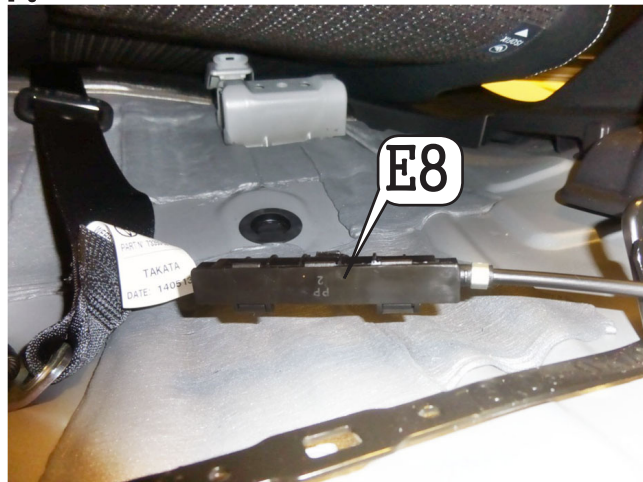
12.



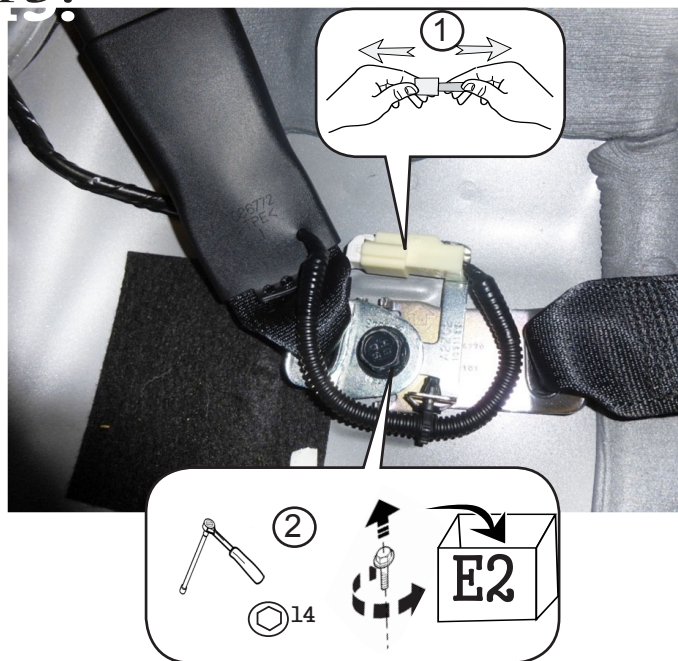
13.



14.



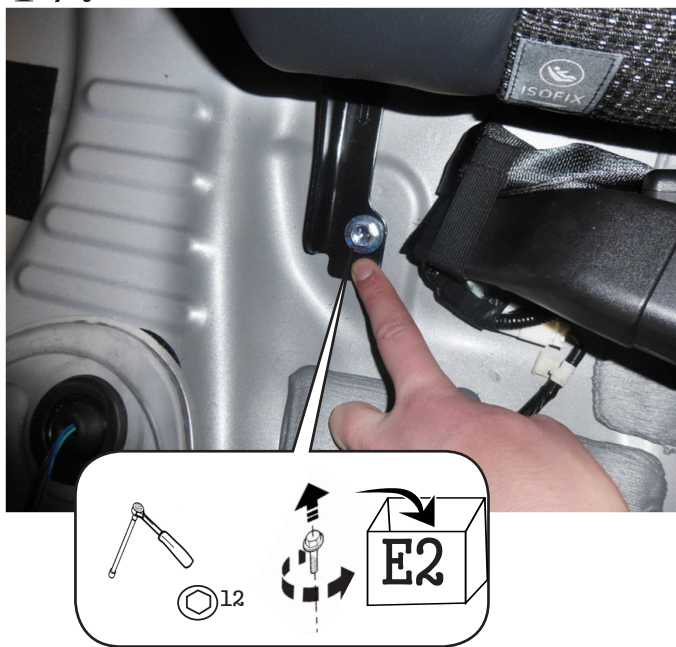
15.



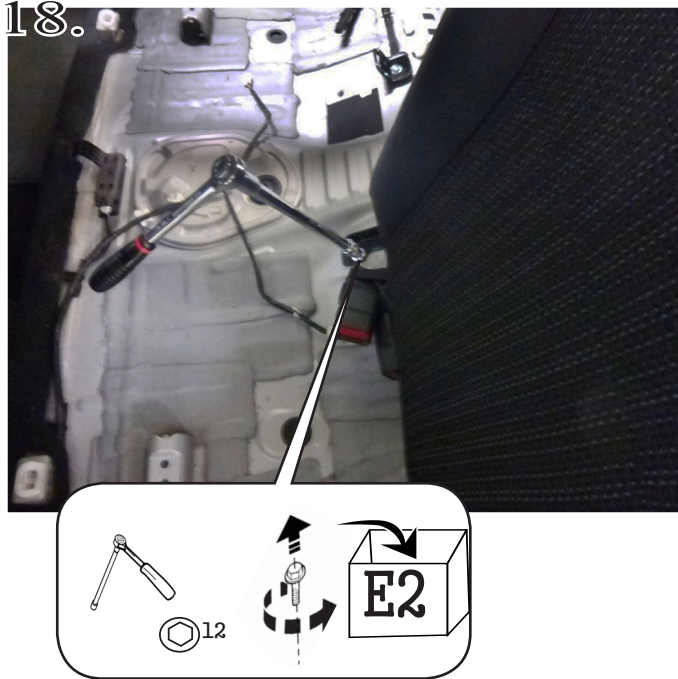
16.



17.



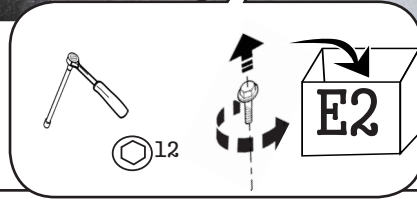
18.



19.



20.



21.



22.

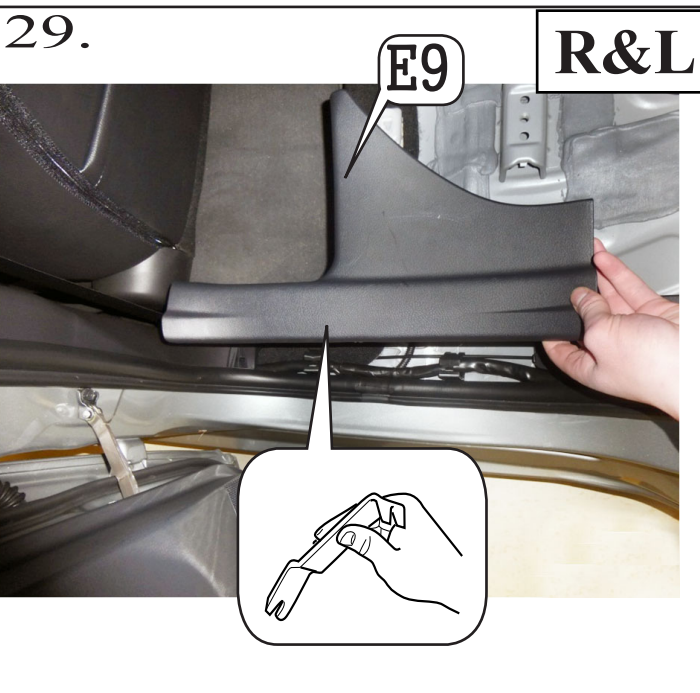
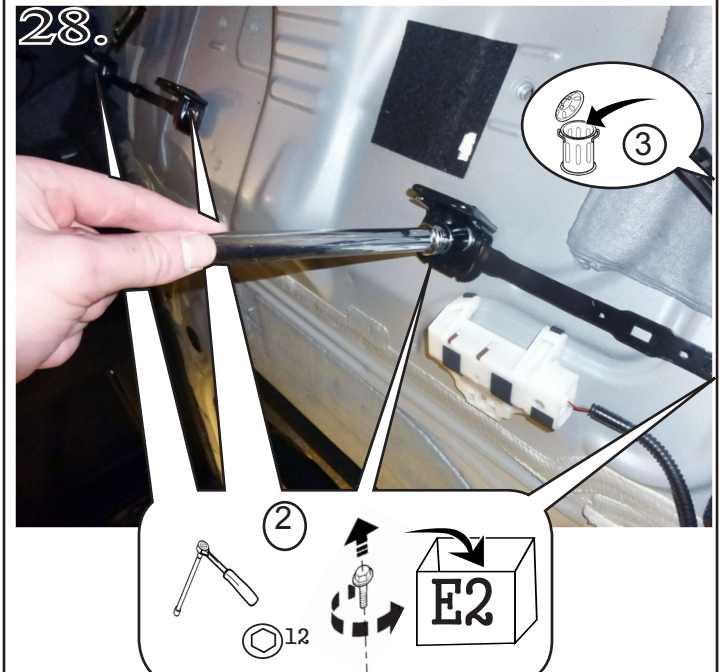
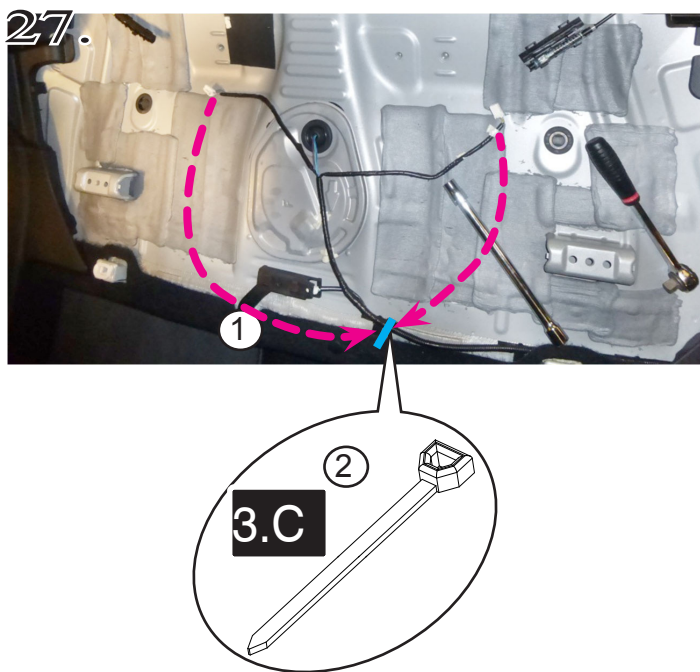
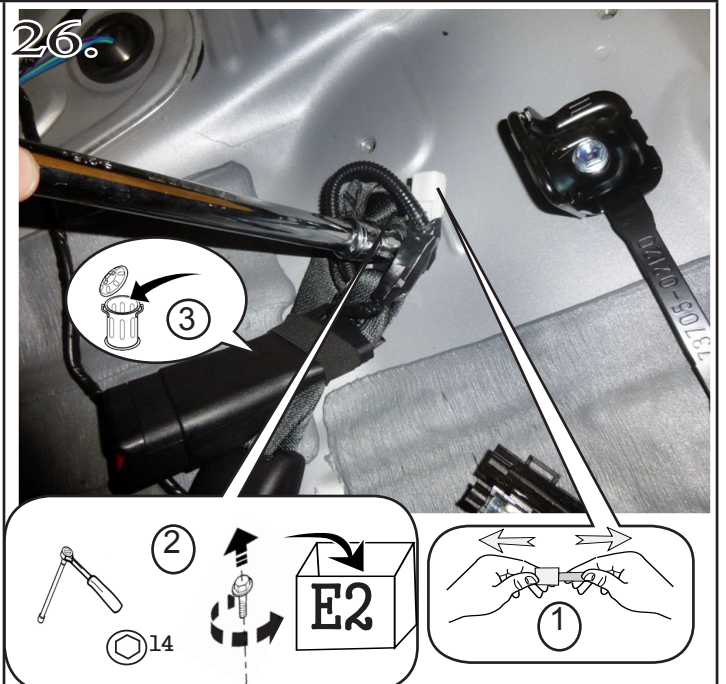
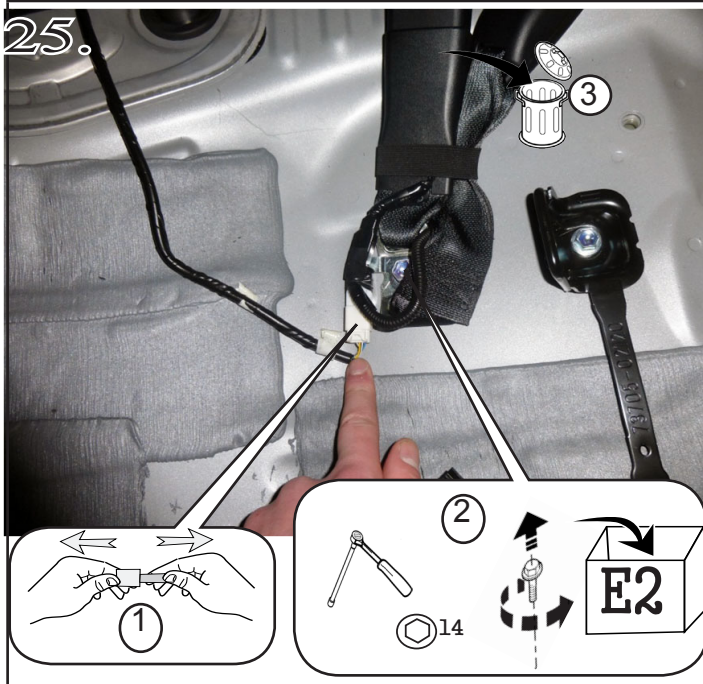


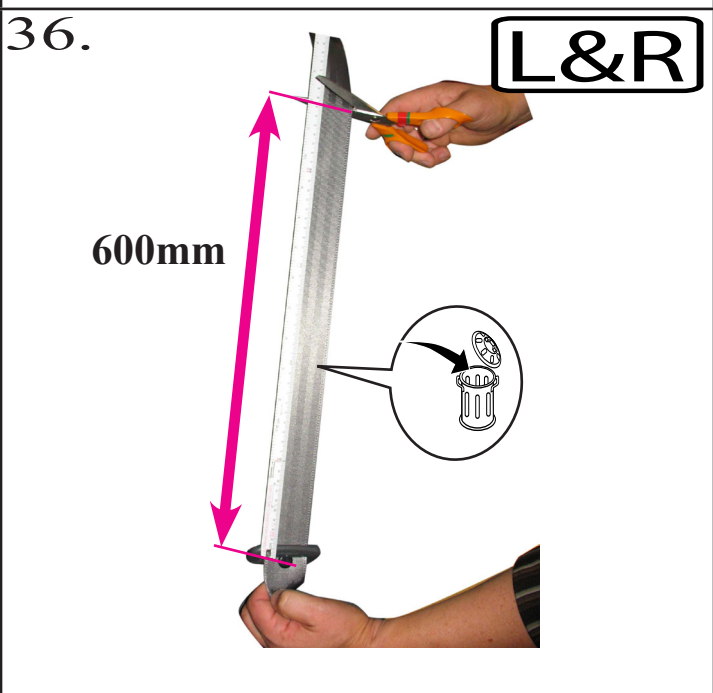
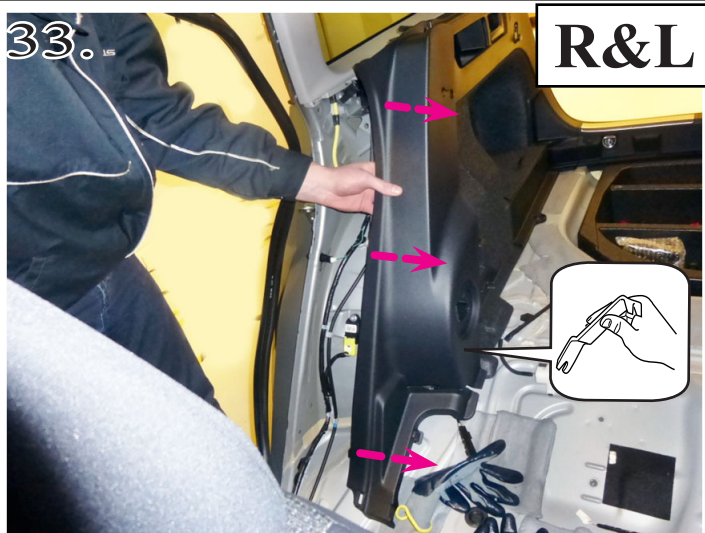
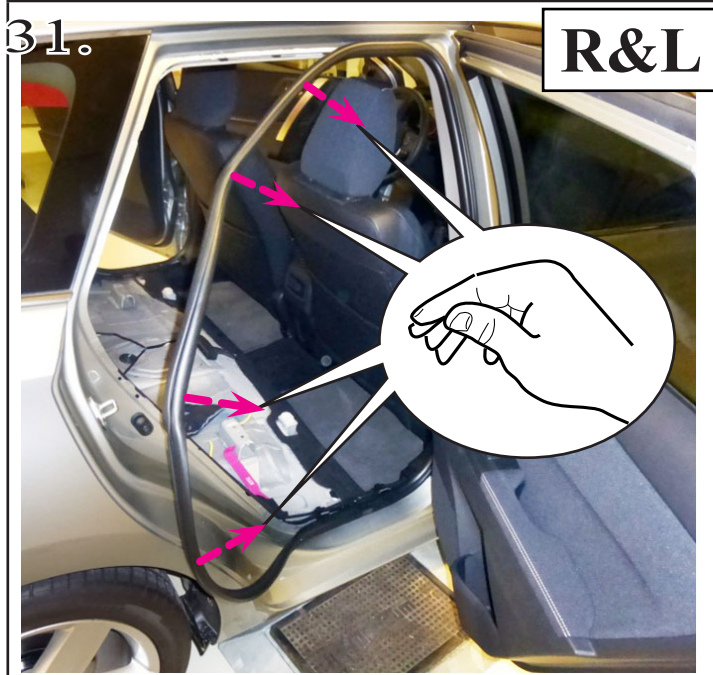
23.

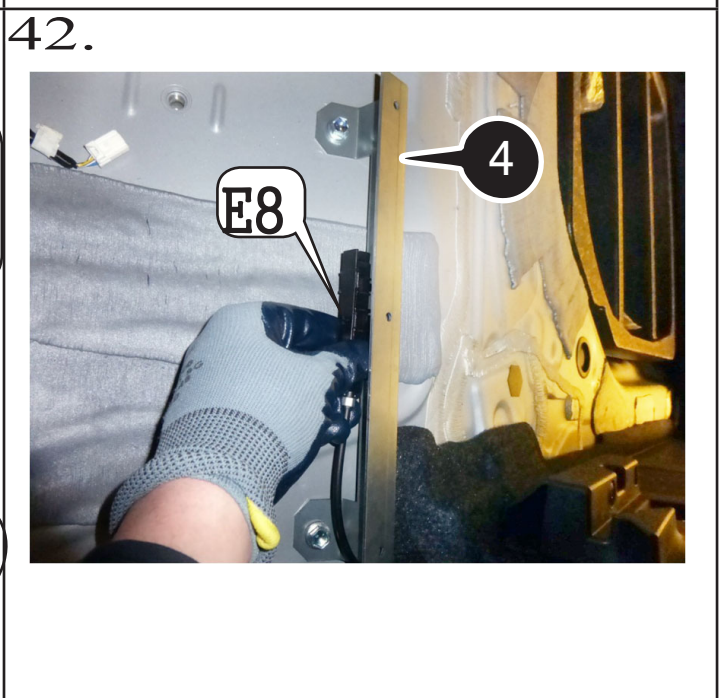
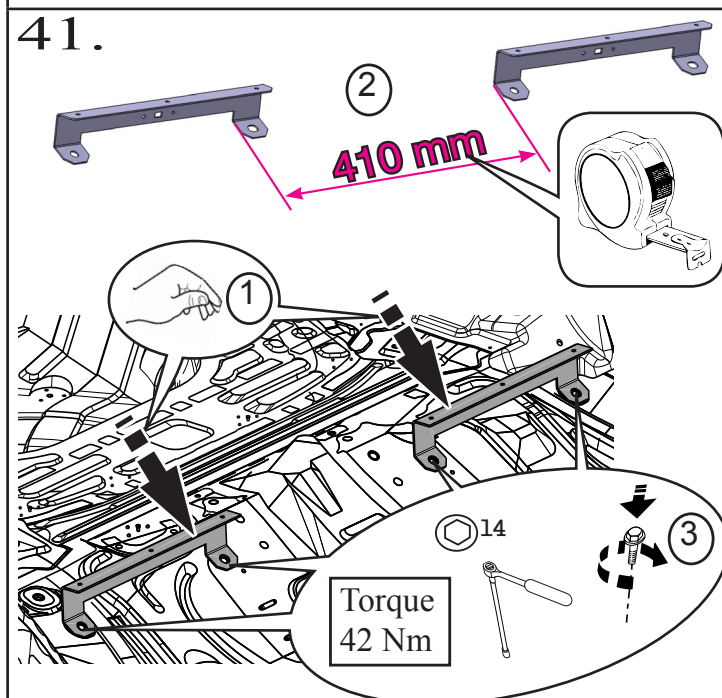
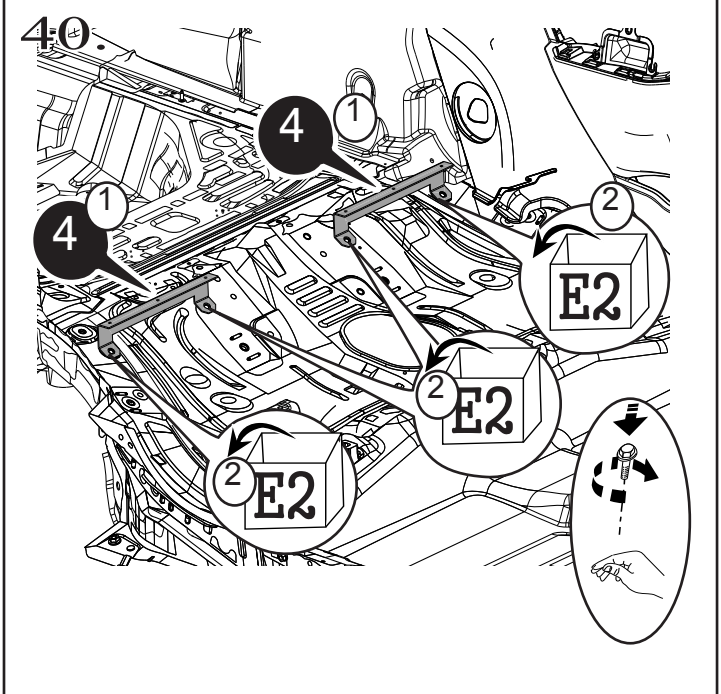
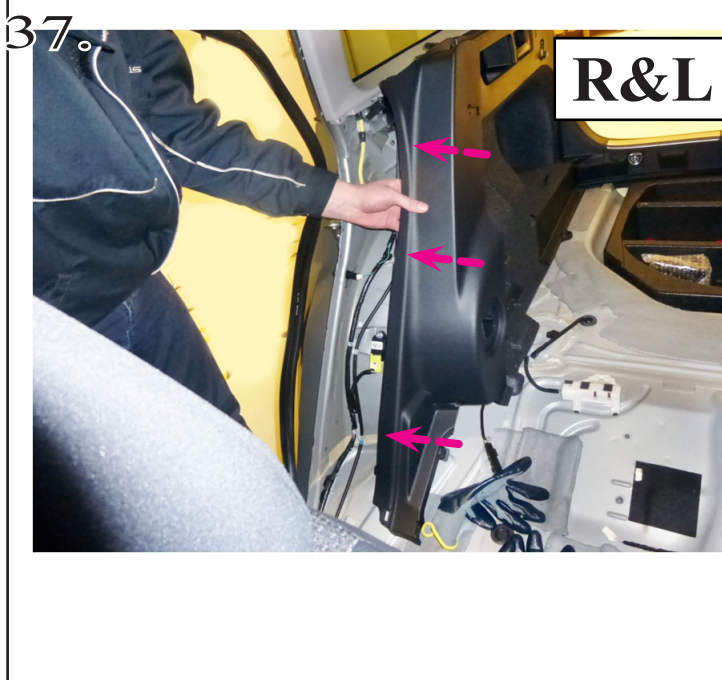


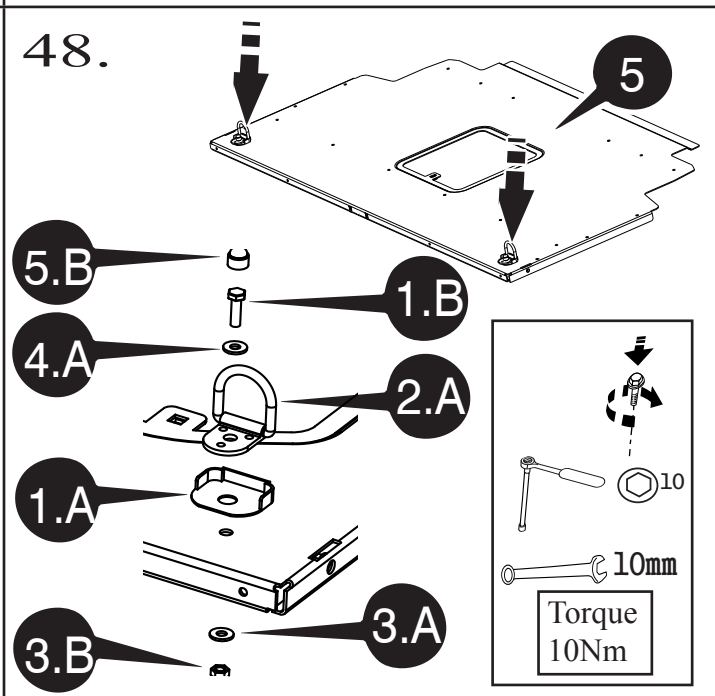
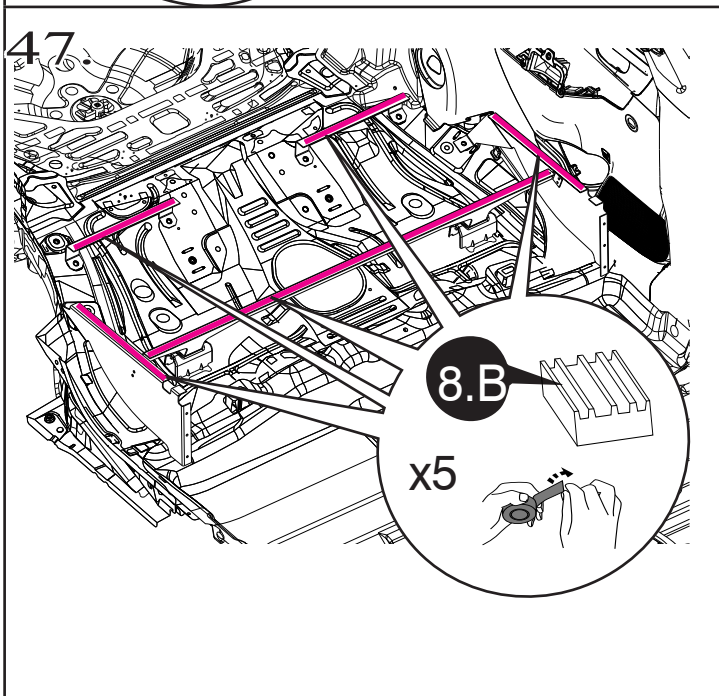
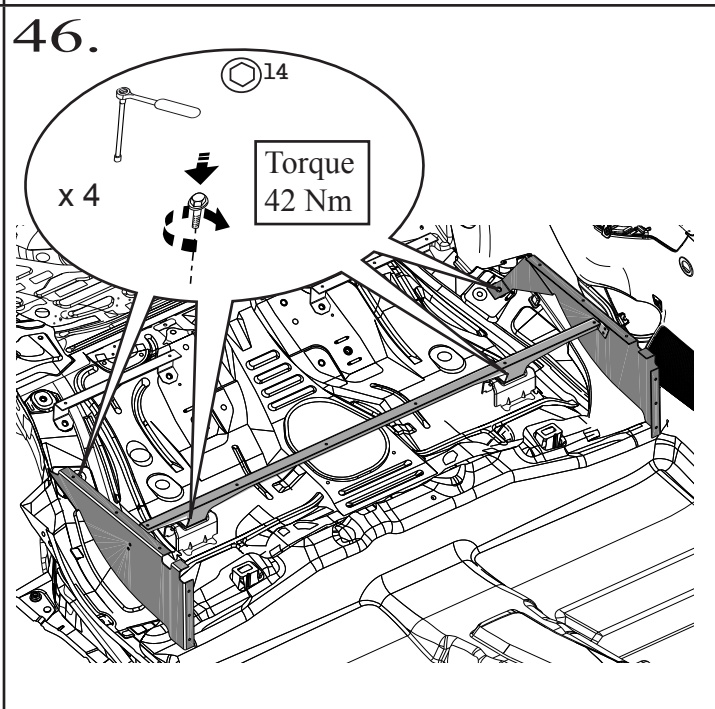
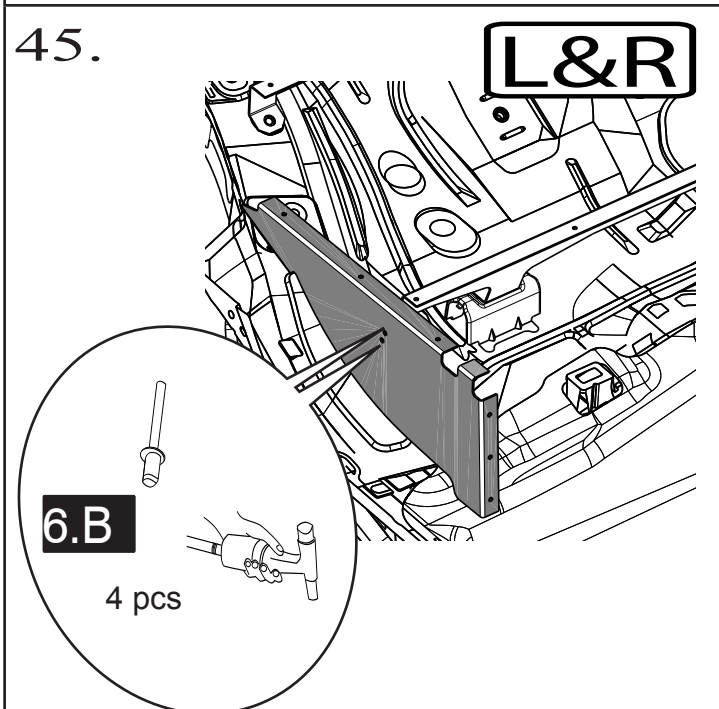
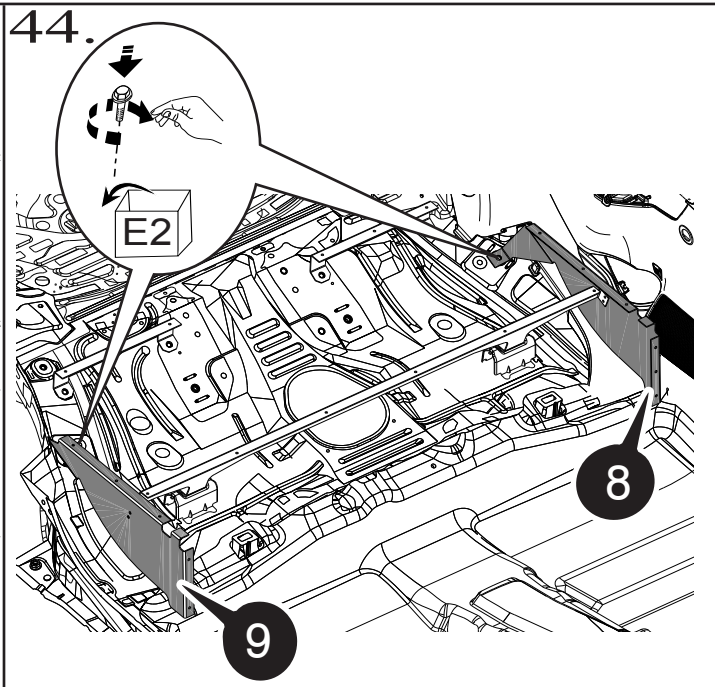
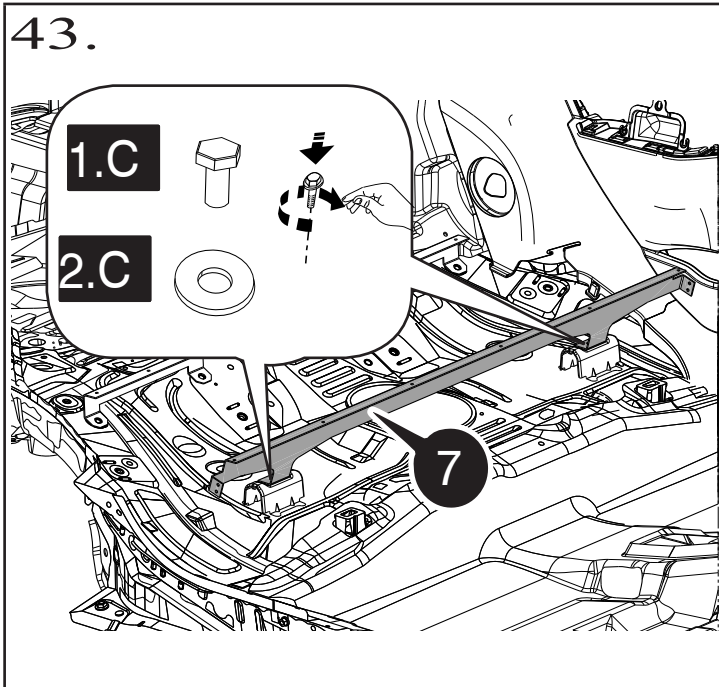
24.



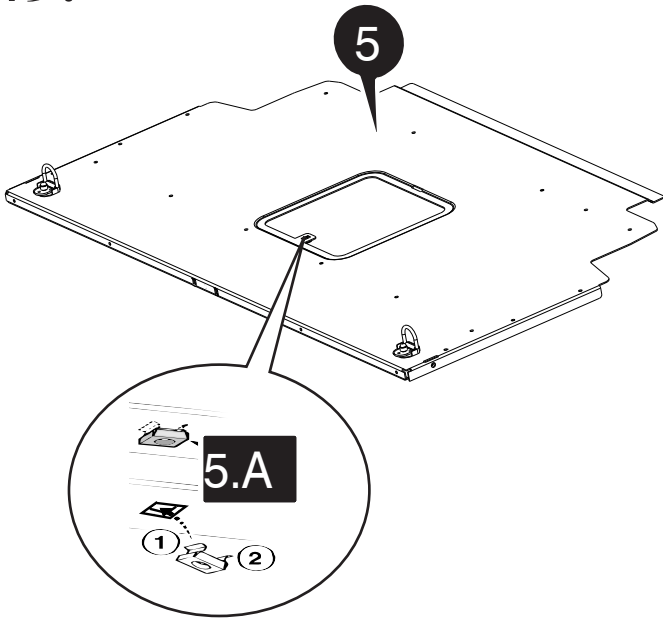




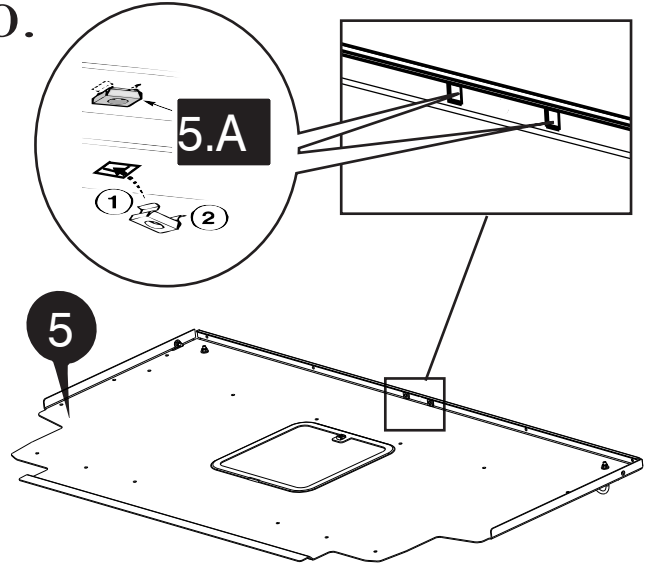




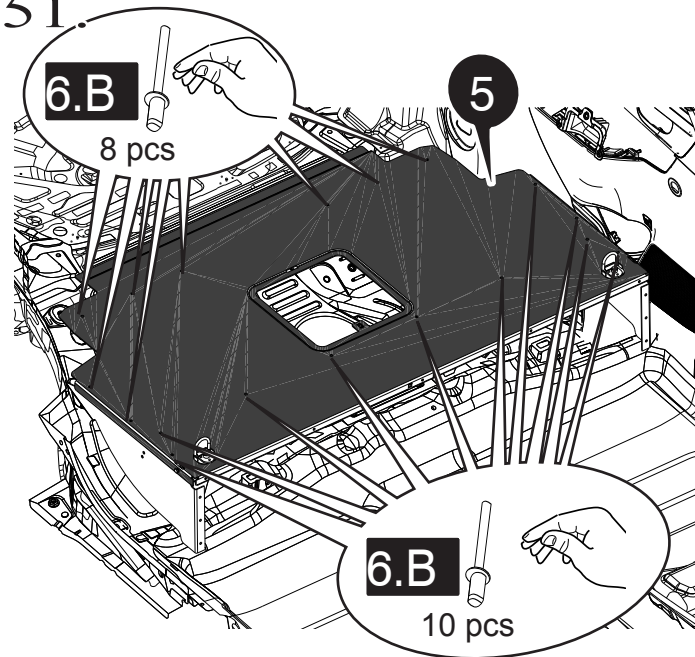
49.



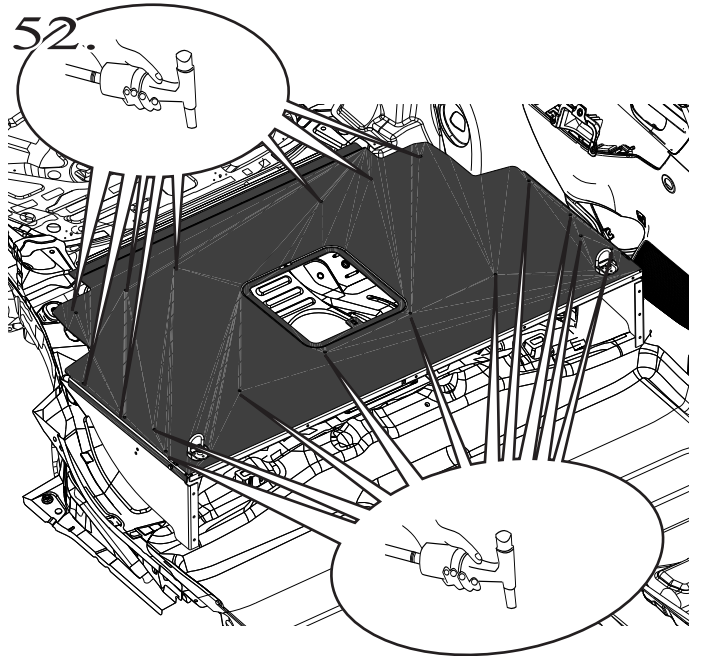
50.



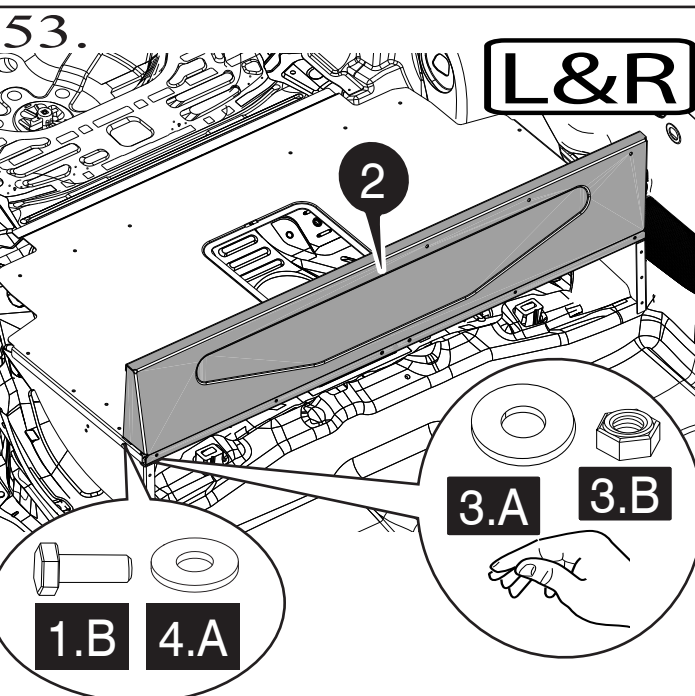
51.



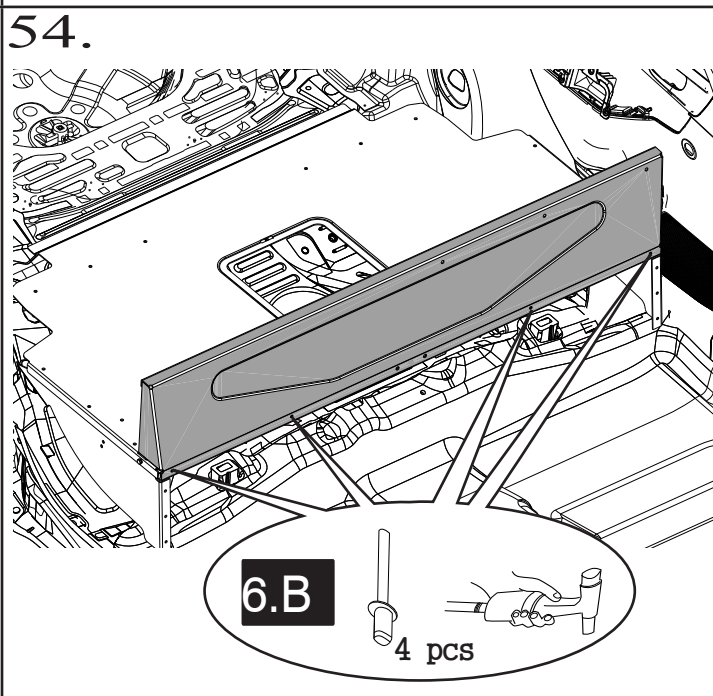
52.

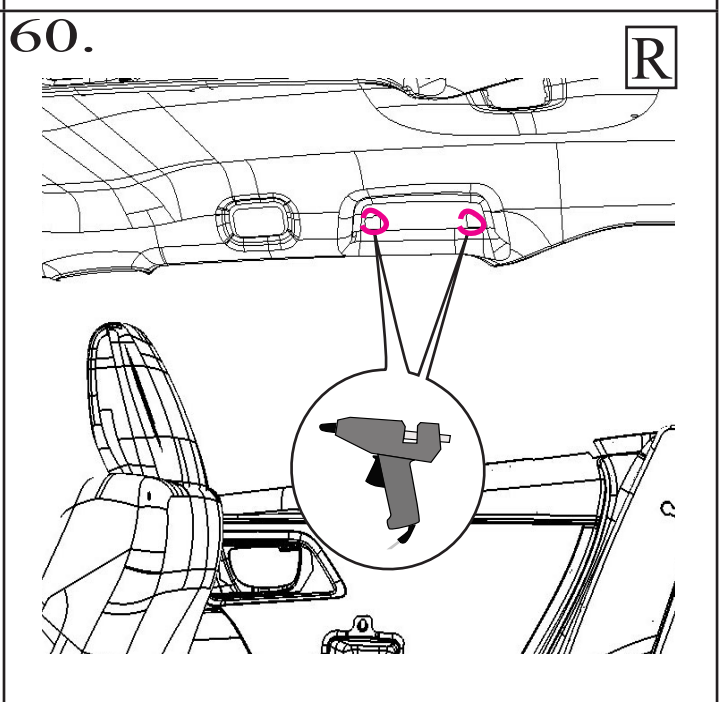
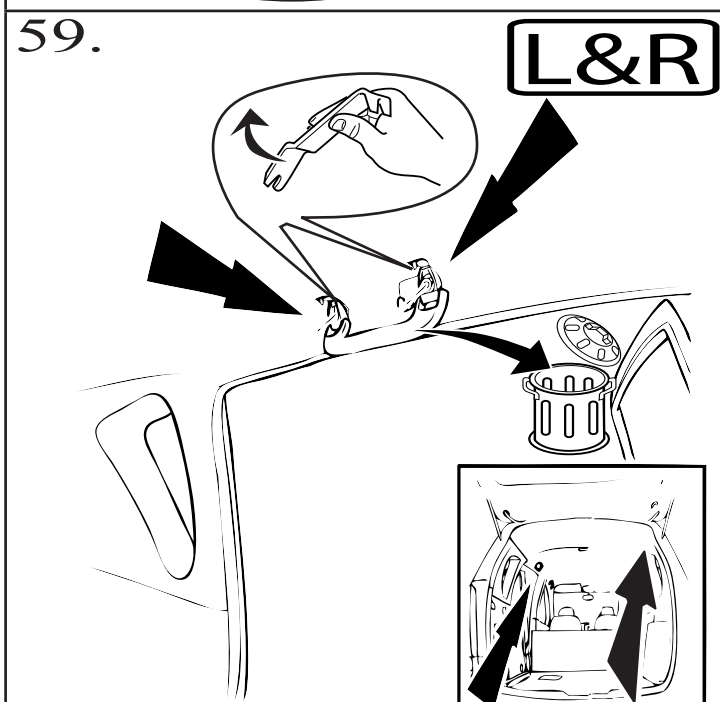
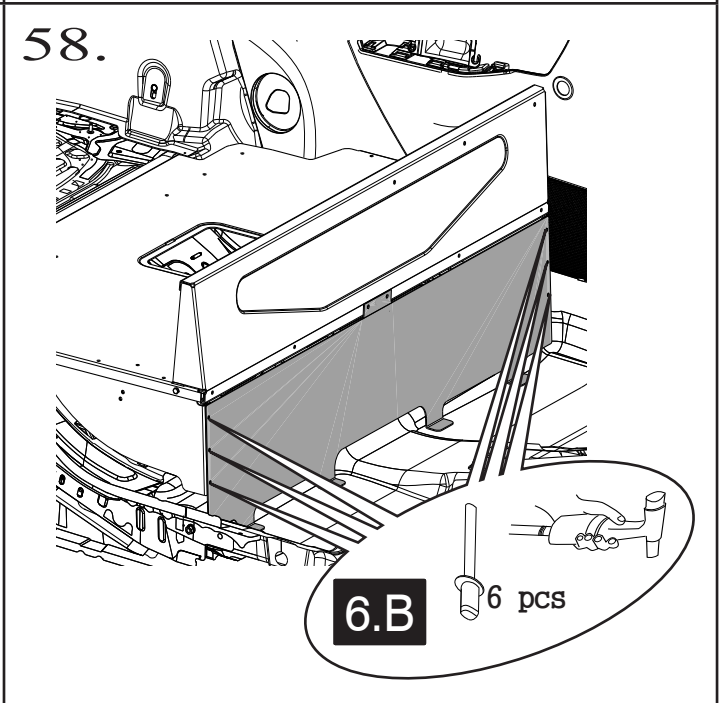
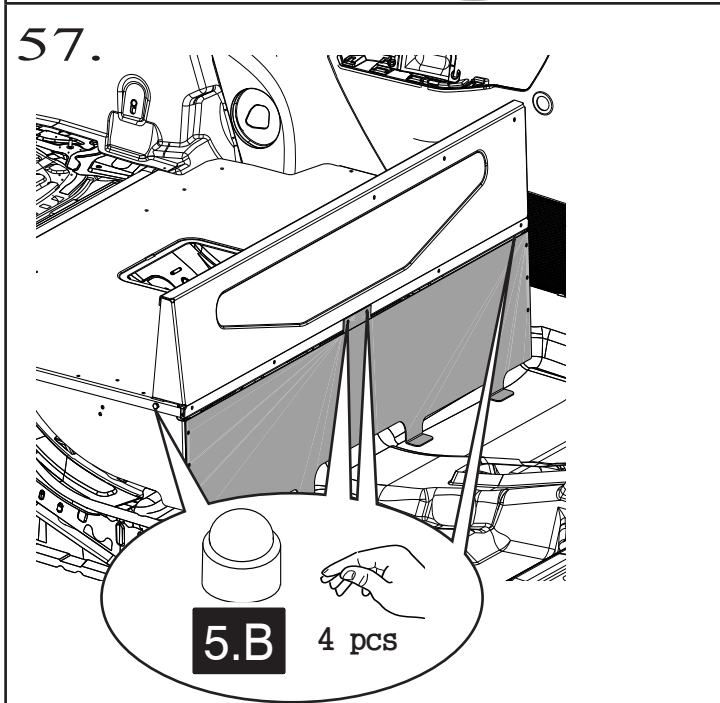
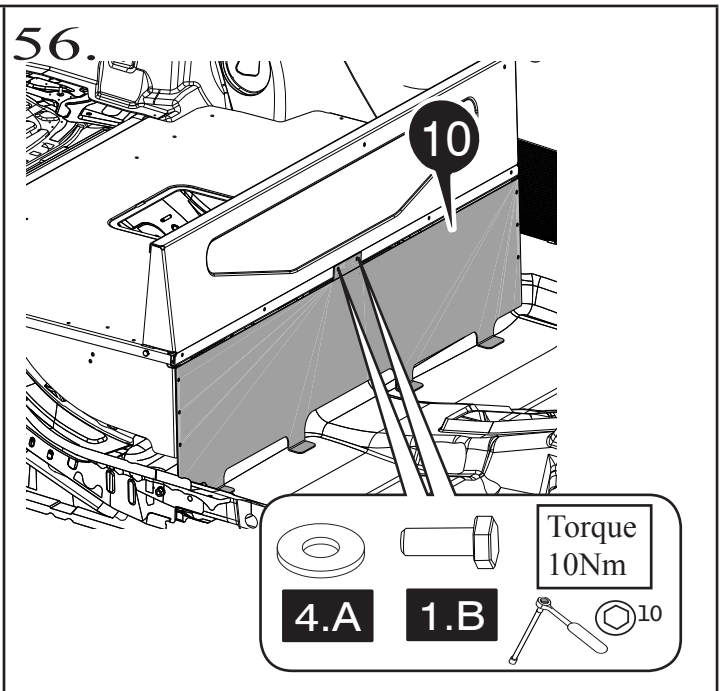
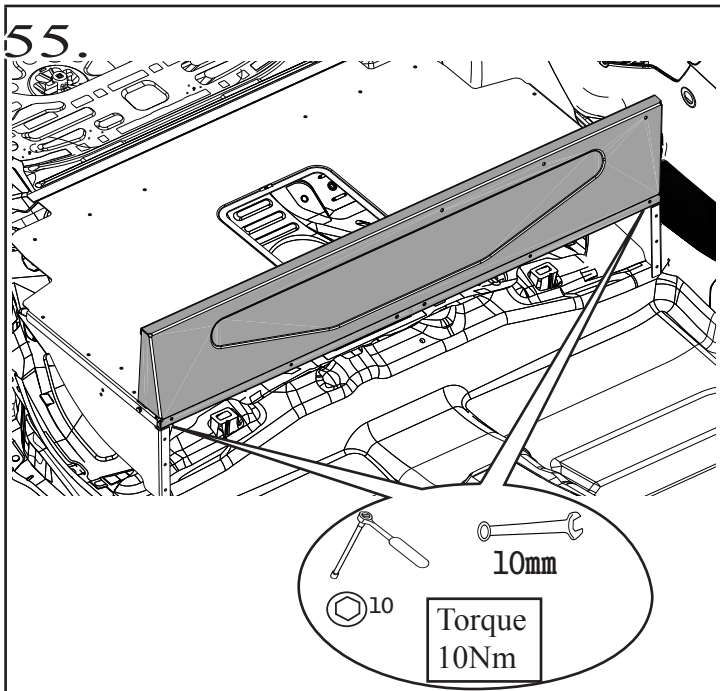


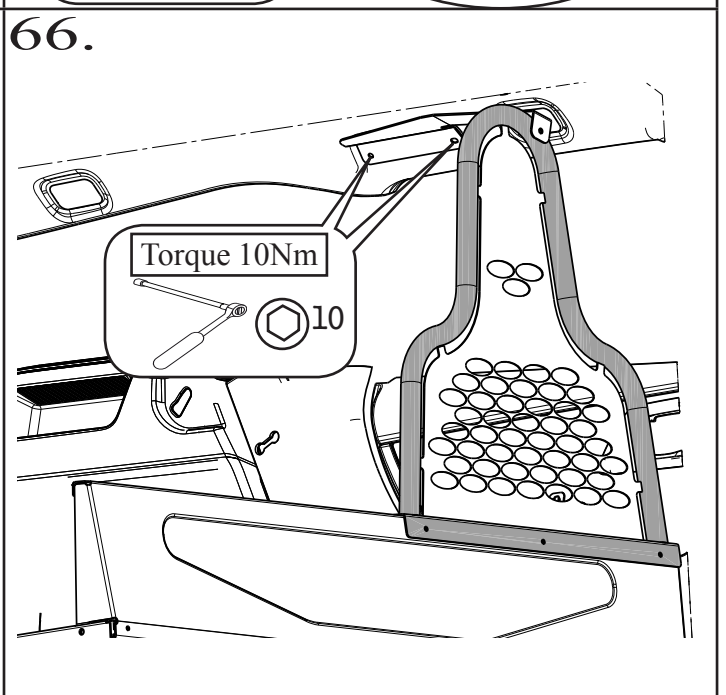
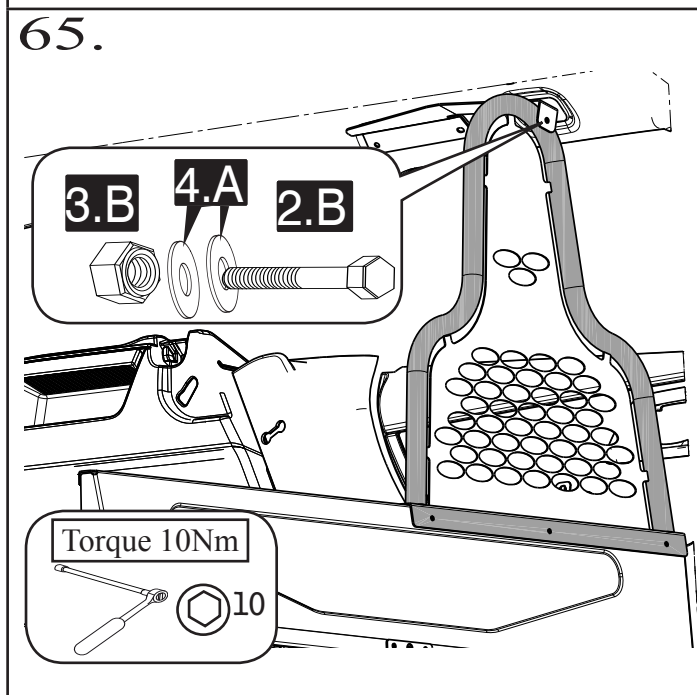
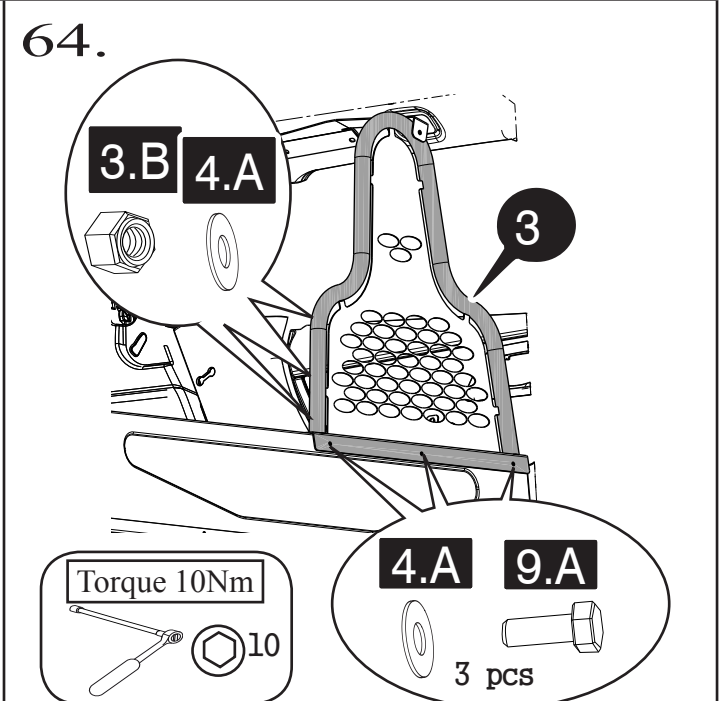
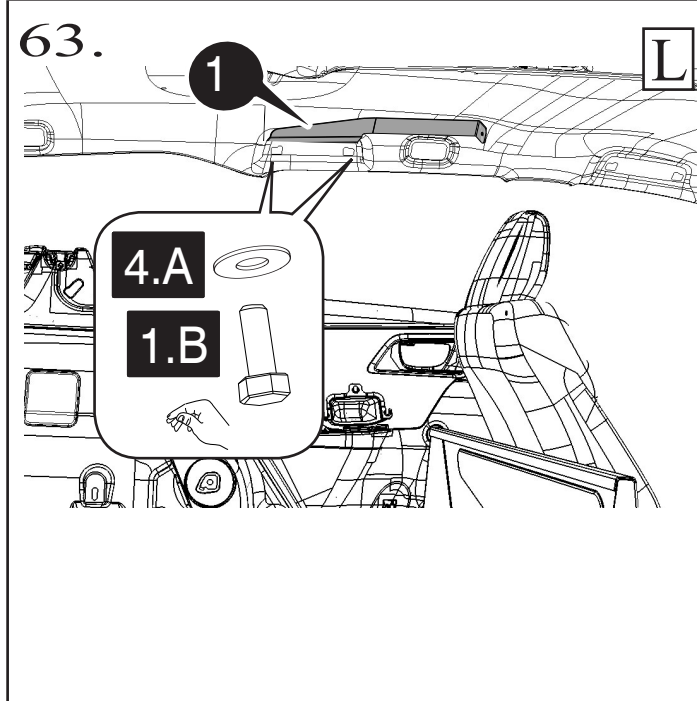
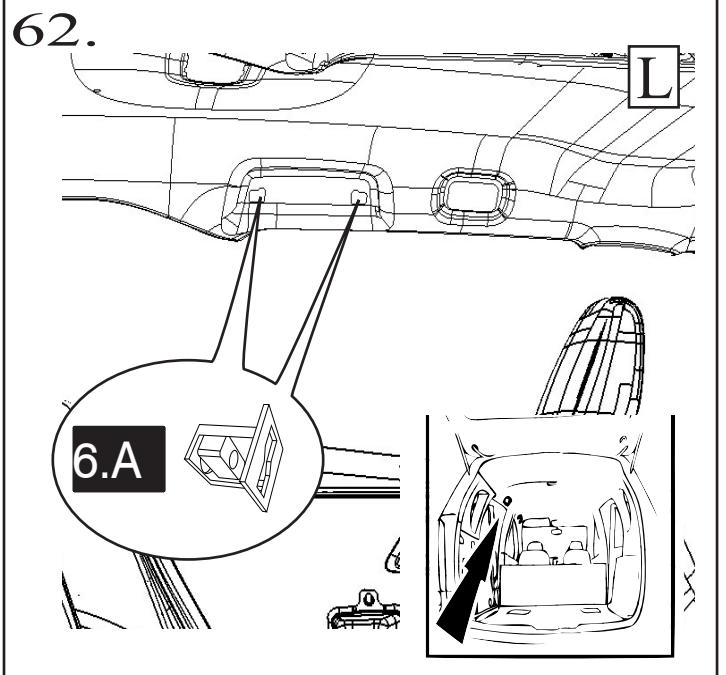
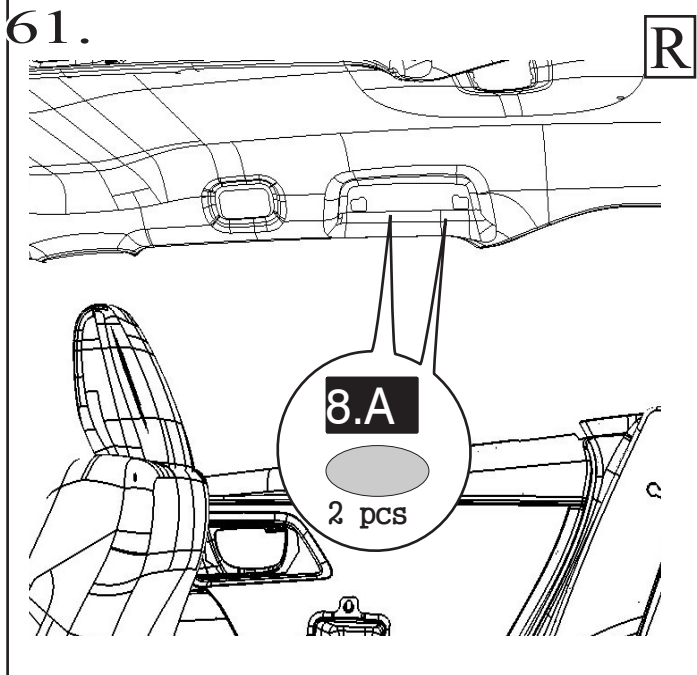
53.



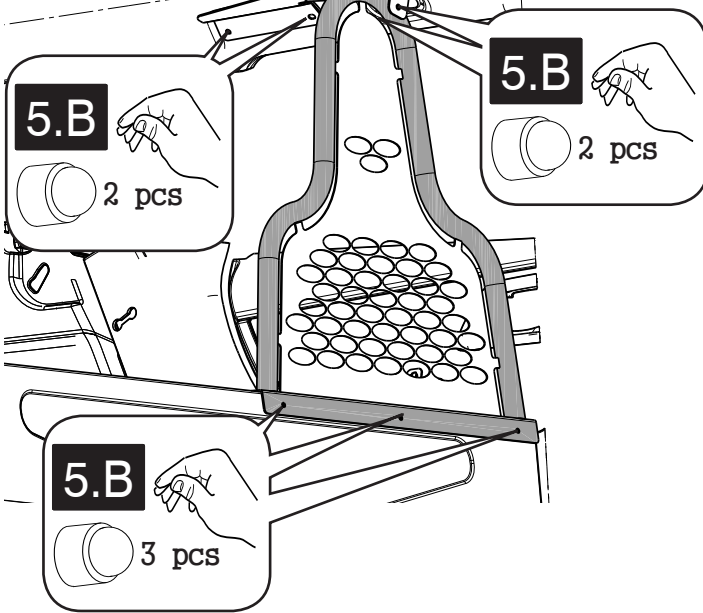
54.



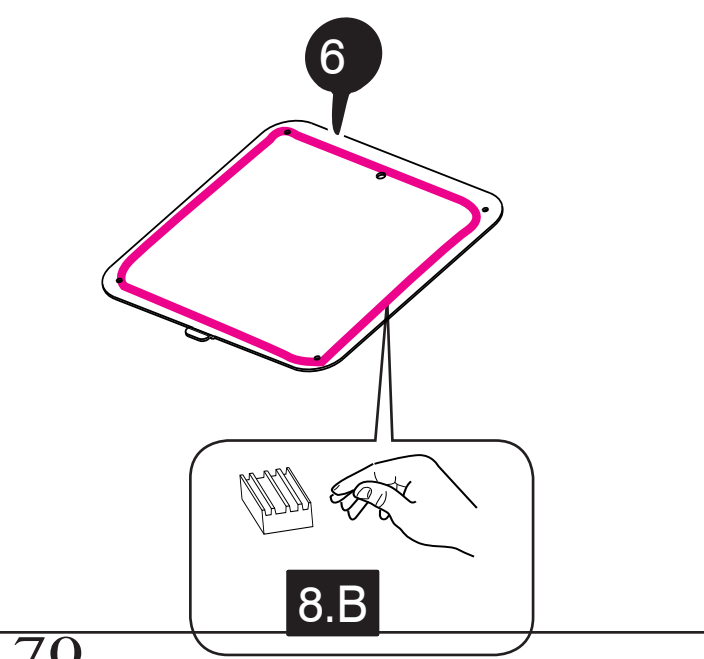




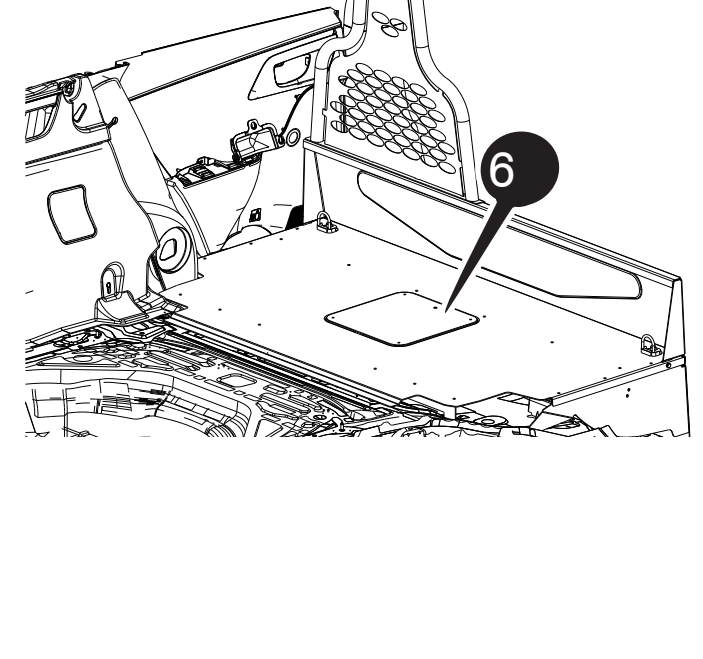
67.



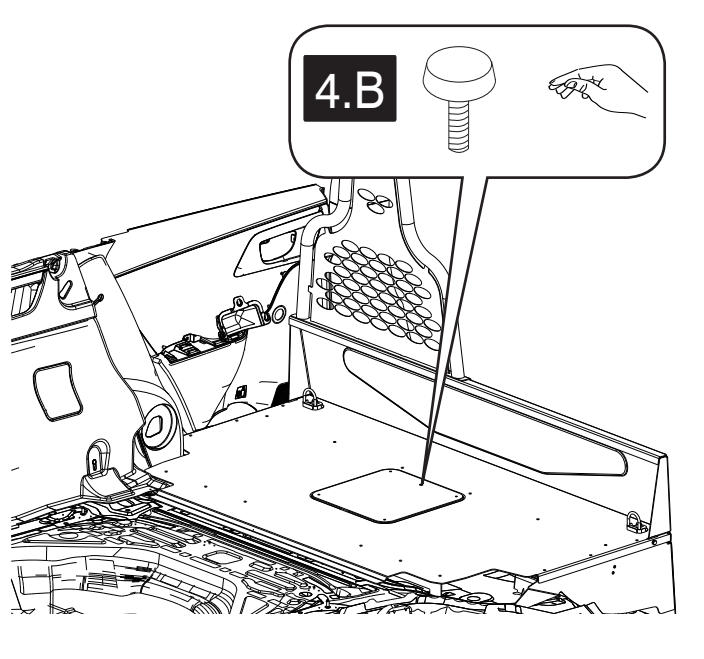
68.



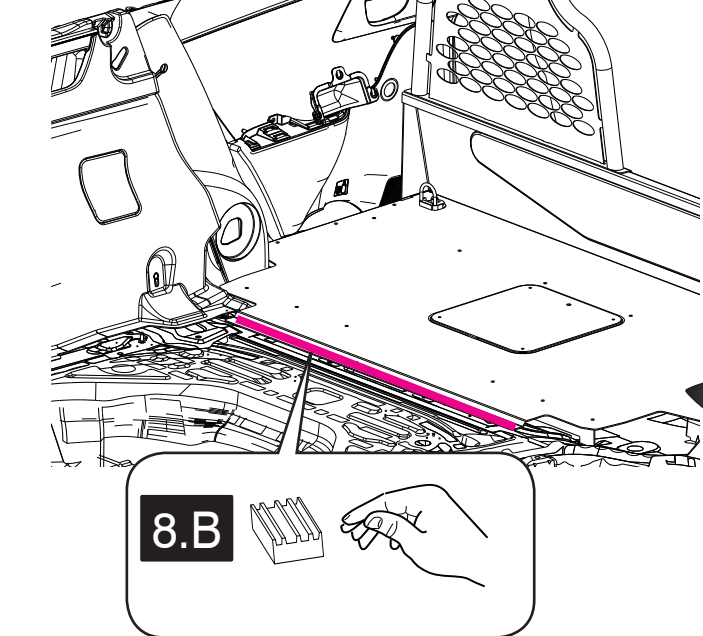
69.



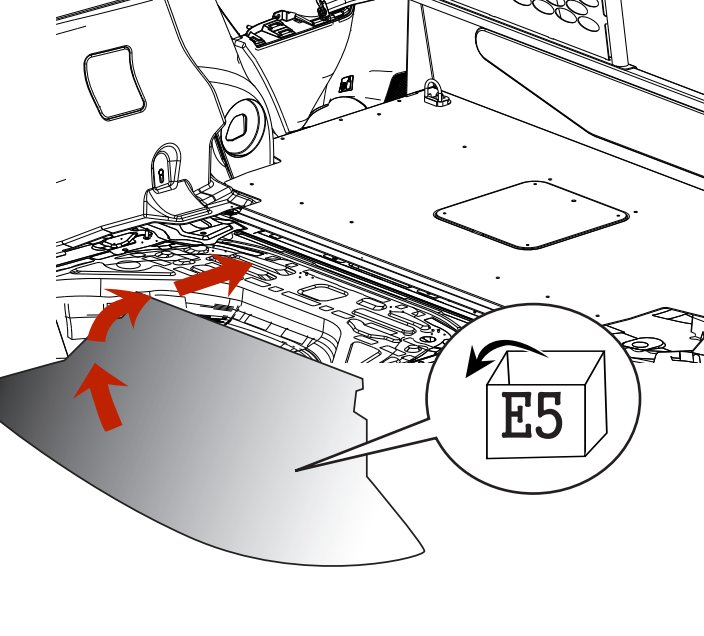
70.



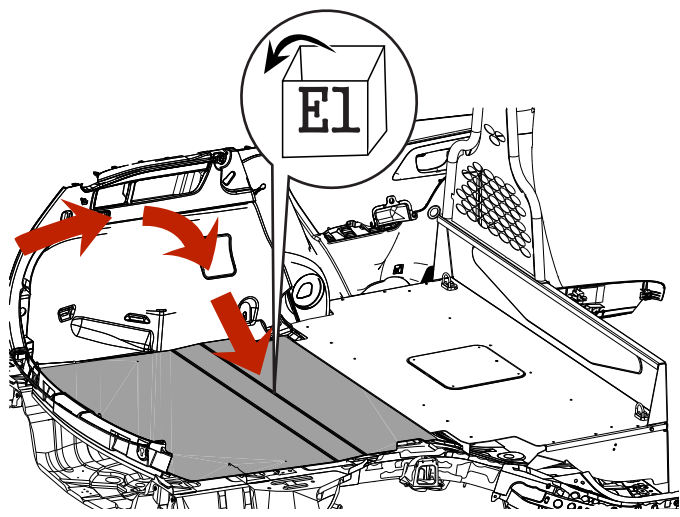
71.



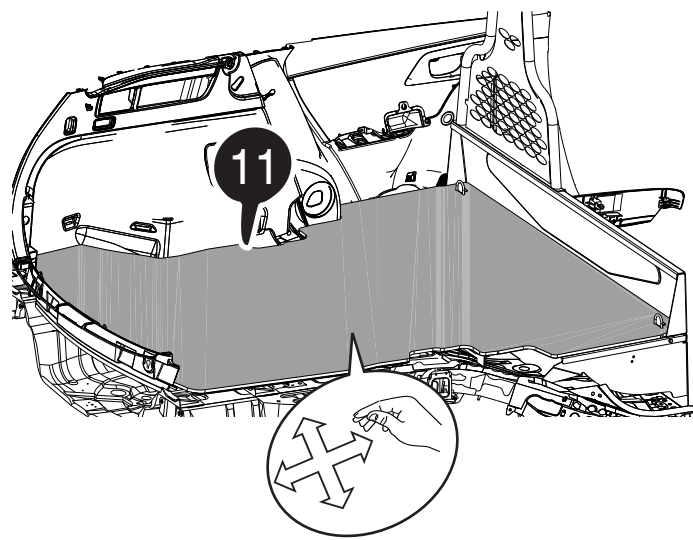
72.



73.

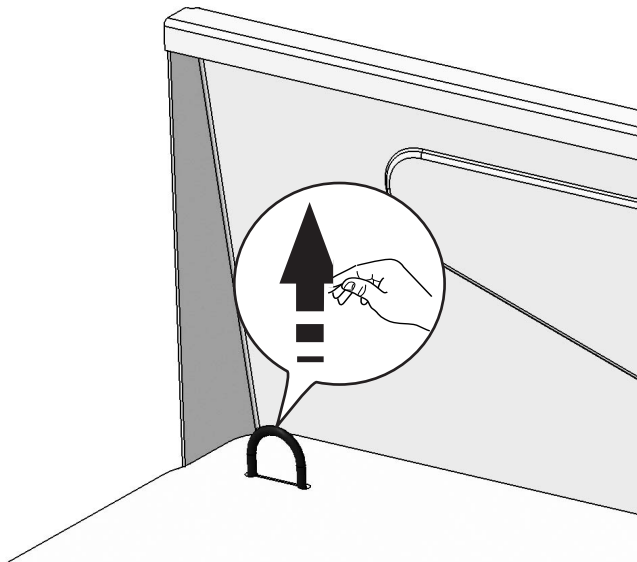


74.



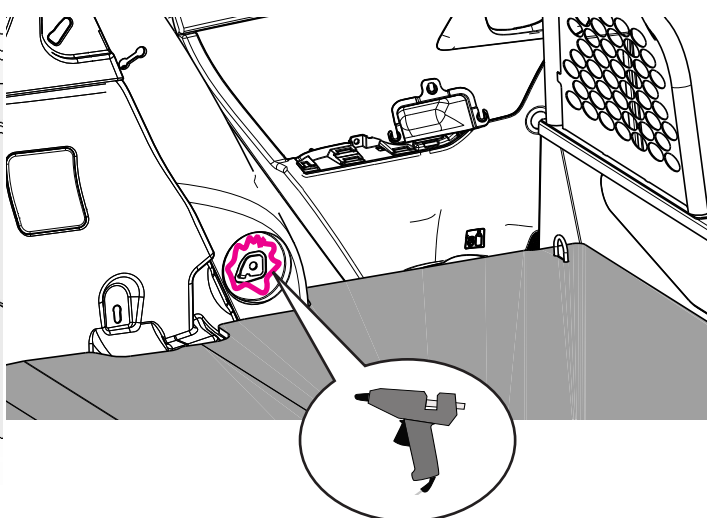
75.

L&R



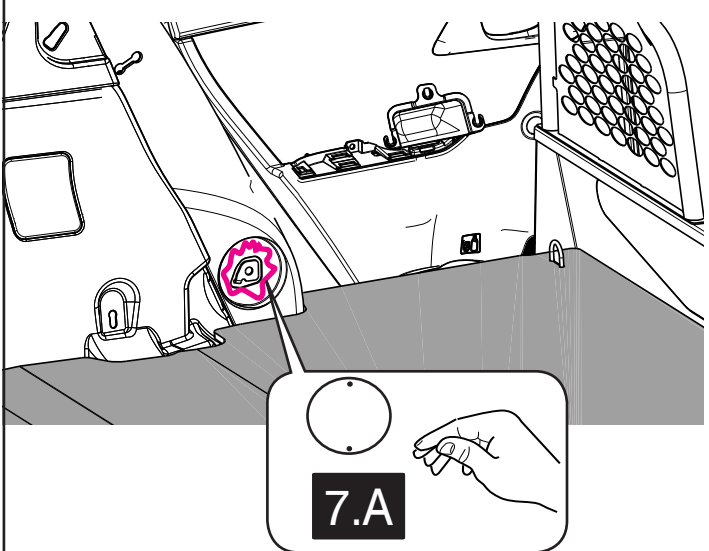
76.

L&R



77.

L&R



78.

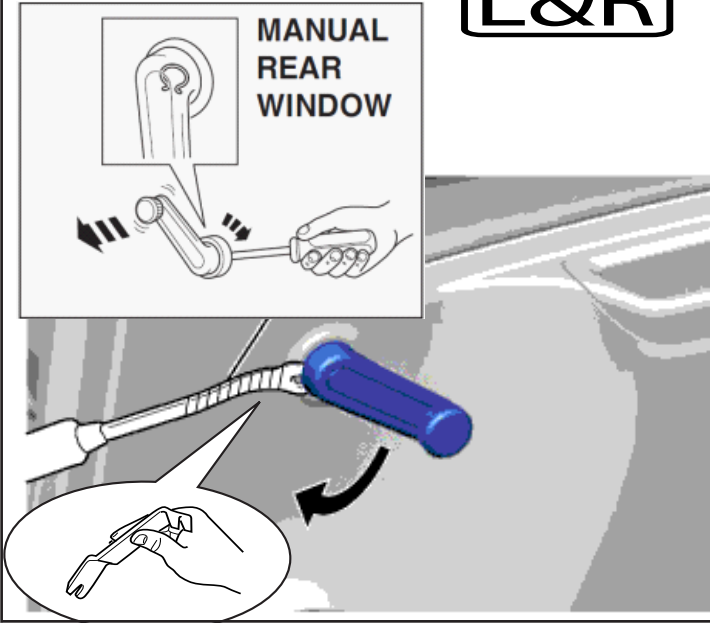
L&R

REMOVE REAR DOOR WINDOW REGULATOR HANDLE ASSEMBLY (w/o Power Window)

- (a) Insert a clip remover between the plate and front door trim board.
- (b) Turn the handle with the clip remover inserted, as shown in the illustration.
- (c) Remove the front door window regulator handle and clip.
- (d) Remove the window regulator handle plate.

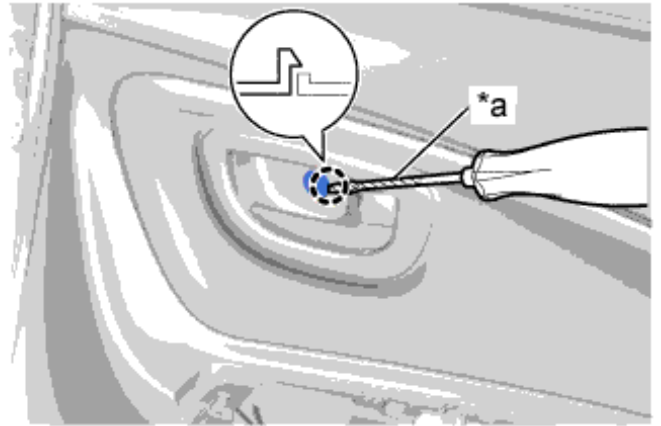
79.

L&R



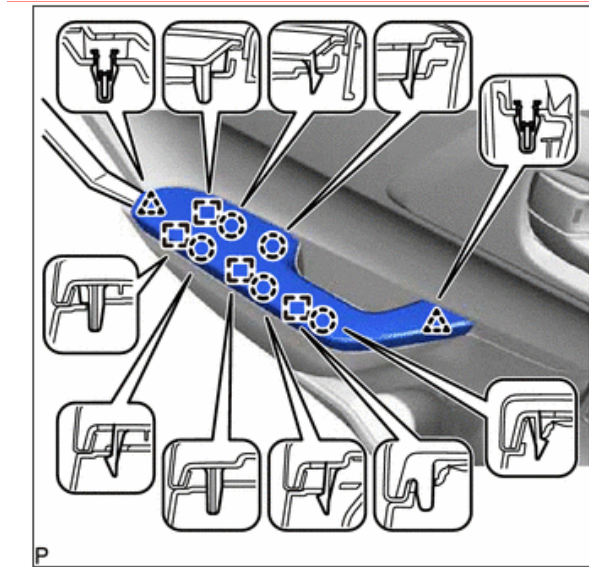
80.

L&R



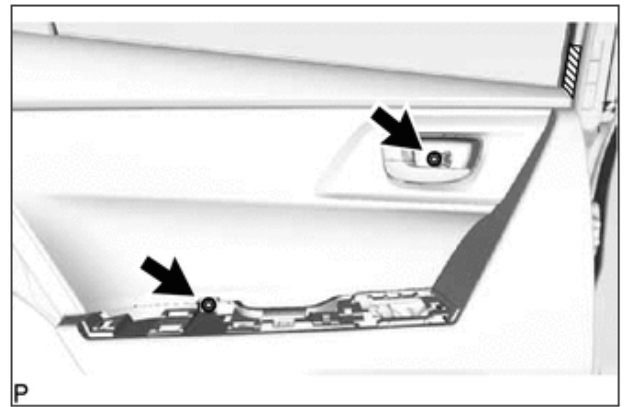
81.

L&R



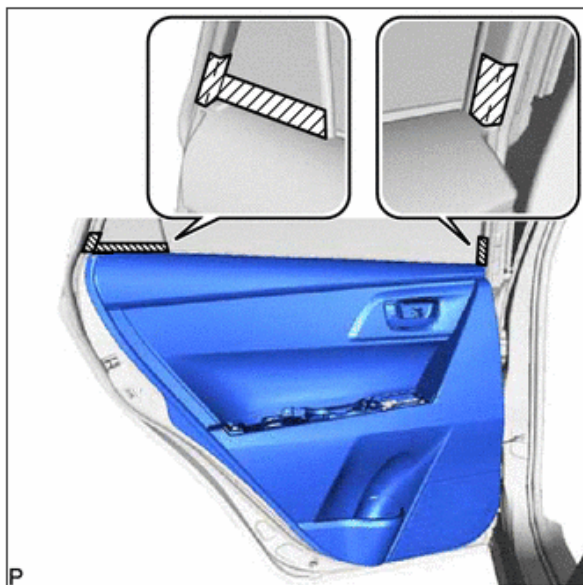
82.

L&R



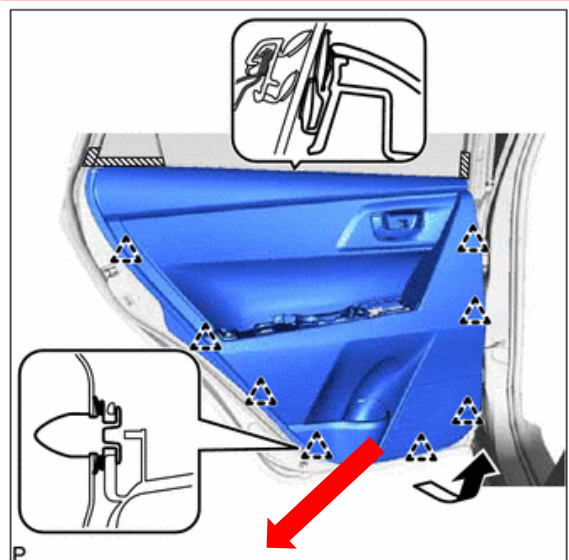
83.

L&R



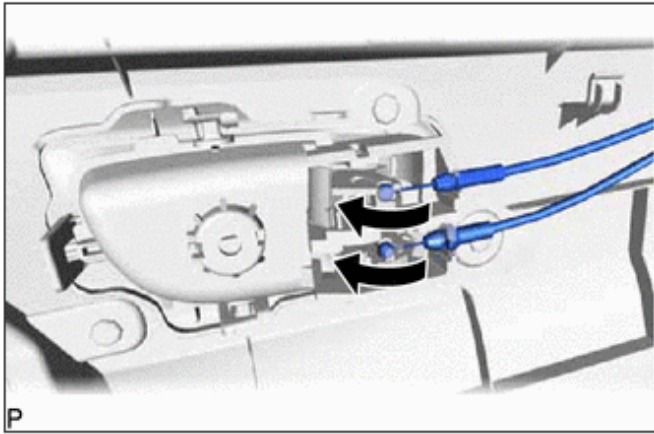
84.

L&R



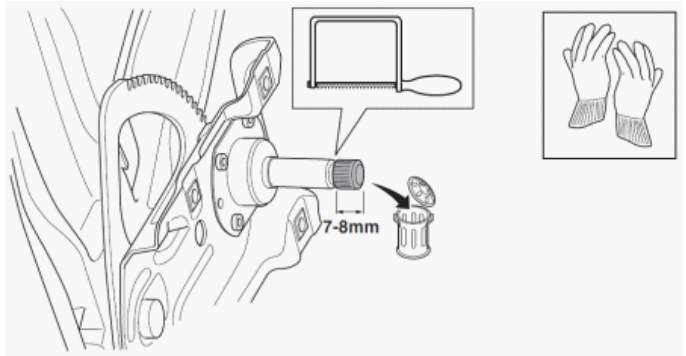
85.

L&R



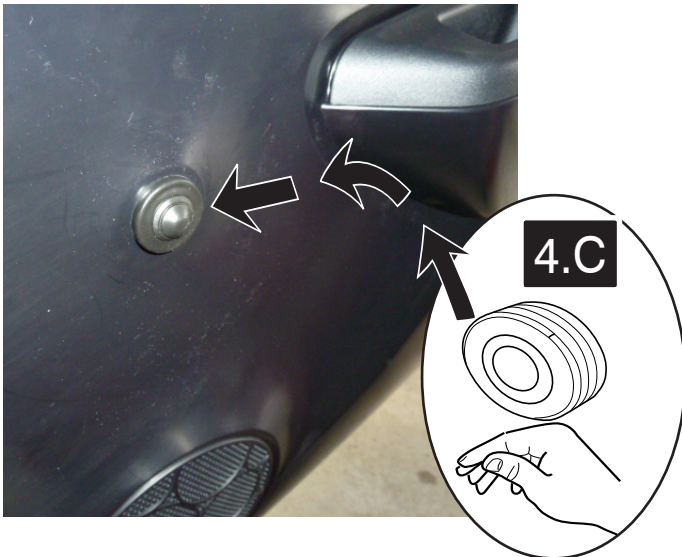
86.

L&R



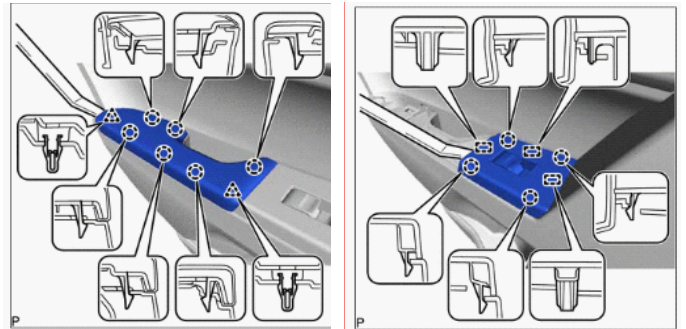
87.

L&R



88.

L&R

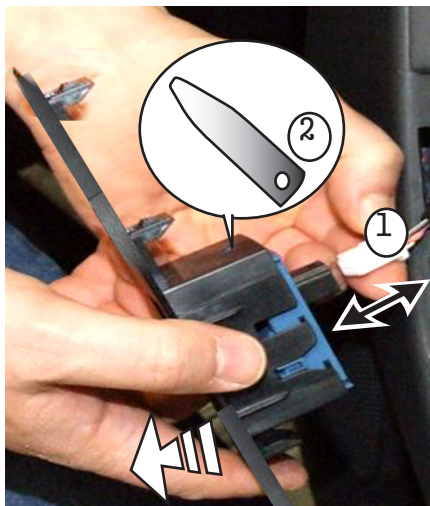


REMOVE REAR DOOR ARMREST BASE UPPER PANEL (w/ Power Window)

- (a) Using a moulding remover, disengage the 9 claws and 3 guides.
- (b) Disconnect the connector and remove the rear armrest base upper panel.

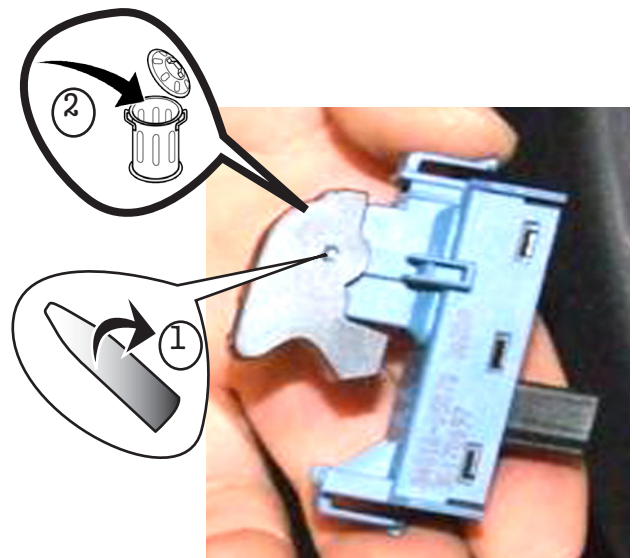
89.

L&R



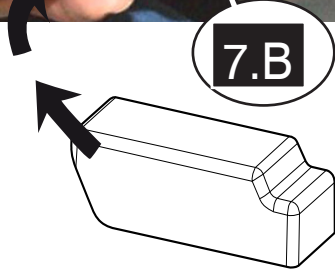
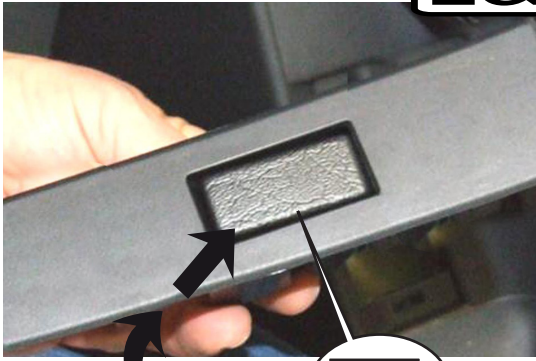
90.

L&R



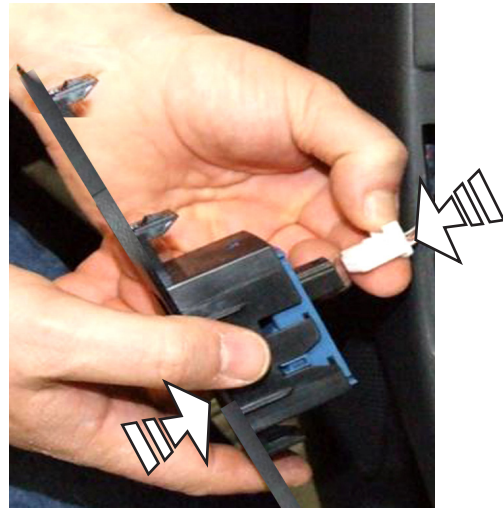
91.

L&R

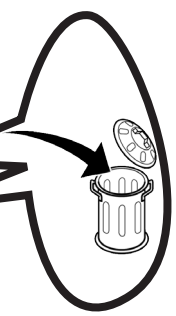


92.

L&R



93.

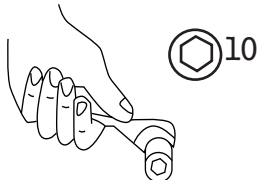


94.

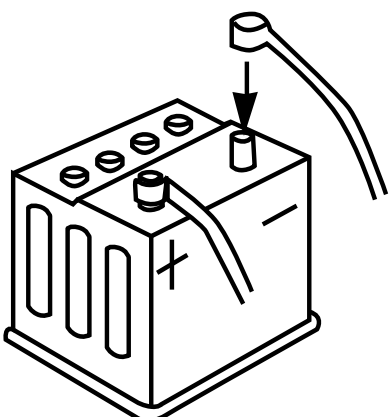
L&R



95.



5.4 Nm



96.

CHECK SHEET



TOYOTA

ALWAYS A BETTER WAY

Auris Touring Sport Conventional 2015

Model /Year

N1 Kit TDK with steel separator

VIN n°

<input type="checkbox"/>	<input type="checkbox"/>	<input type="checkbox"/>	<input type="checkbox"/>	<input type="checkbox"/>	<input type="checkbox"/>	<input type="checkbox"/>	<input type="checkbox"/>	<input type="checkbox"/>	<input type="checkbox"/>	<input type="checkbox"/>	<input type="checkbox"/>	<input type="checkbox"/>	<input type="checkbox"/>	<input type="checkbox"/>	<input type="checkbox"/>	<input type="checkbox"/>	<input type="checkbox"/>	<input type="checkbox"/>	<input type="checkbox"/>
--------------------------	--------------------------	--------------------------	--------------------------	--------------------------	--------------------------	--------------------------	--------------------------	--------------------------	--------------------------	--------------------------	--------------------------	--------------------------	--------------------------	--------------------------	--------------------------	--------------------------	--------------------------	--------------------------	--------------------------

<p>P/N = OK</p>		<p>42 Nm 4x</p> <input type="checkbox"/> <p>Serial Number</p> <input type="text"/>	
	<p>42 Nm 4x</p> <input type="checkbox"/> <p>Serial Number</p> <input type="text"/>		
	<p>10 Nm 2x</p> <input type="checkbox"/> <p>Serial Number</p> <input type="text"/>		<p>10 Nm 2x</p> <input type="checkbox"/> <p>Serial Number</p> <input type="text"/>
	<p>10 Nm 2x</p> <input type="checkbox"/> <p>Serial Number</p> <input type="text"/>		<p>10 Nm 6x</p> <input type="checkbox"/> <p>Serial Number</p> <input type="text"/>
	<p>5,4 Nm 1x</p> <input type="checkbox"/> <p>Serial Number</p> <input type="text"/>	<p>= OK</p> <input type="checkbox"/>	

Installation date:

Technican Name & Signature:

Stamp:

