



TOYOTA

ALWAYS A
BETTER WAY

Hilux

Hood deflector

Installation instructions

Model year: As from 2020/05

Vehicle code: GUN125*_*_*_*_*XW*
GUN135*_*_*_*_*XW*
GUN126*_*_*_*_*XW

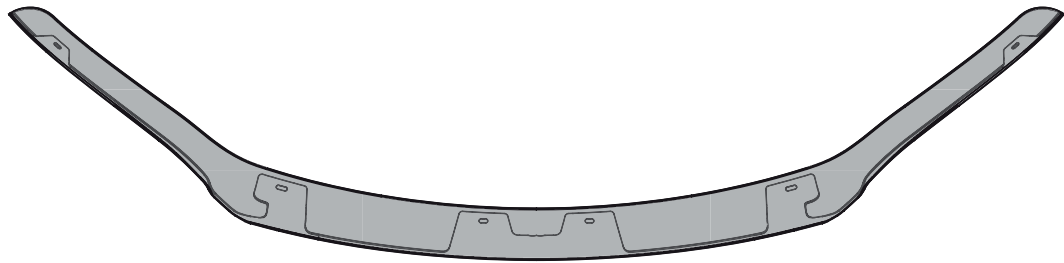
Part number: PZQ15-89350

Manual reference number: AIM 005 042 - 0

Revision Record

Rev. No.	Date	Page	Step	Remarks

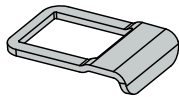
PZQ15-89350



A

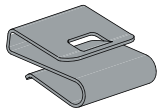
1x

PZQ15-4213A



B

4x



C

2x



D

4x



E

4x



F

4x



G

4x



H

2x



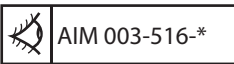
J

2x

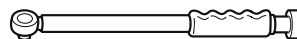


K

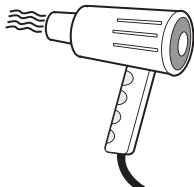
1x



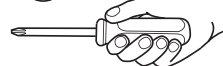
10mm

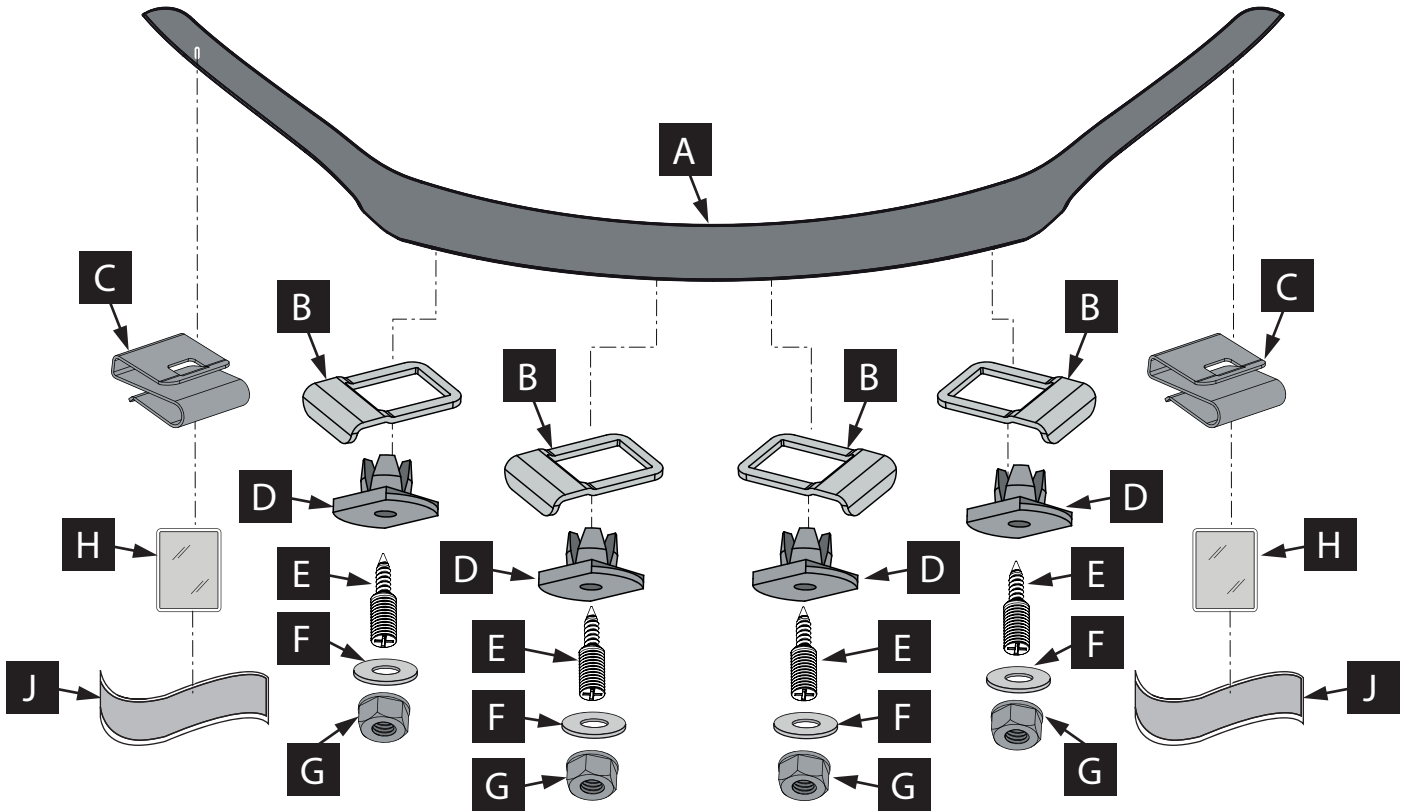


CLICK



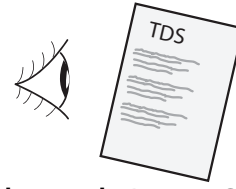
Ph2



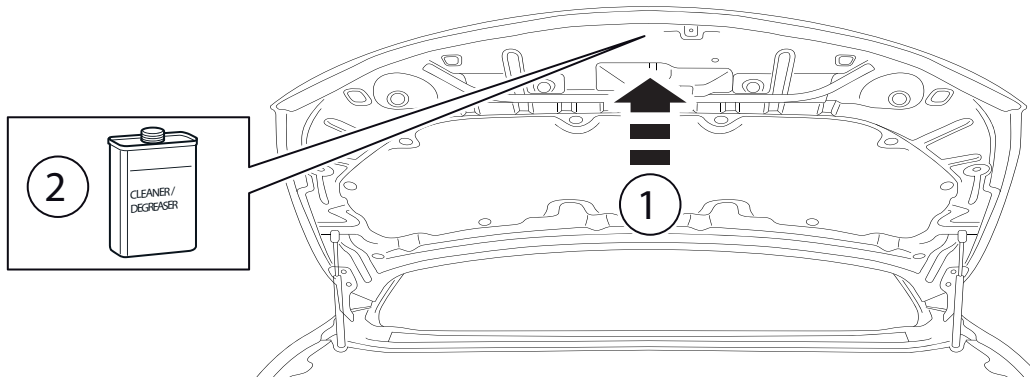
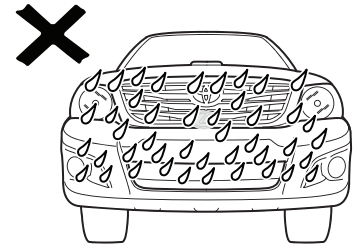
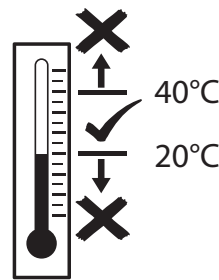
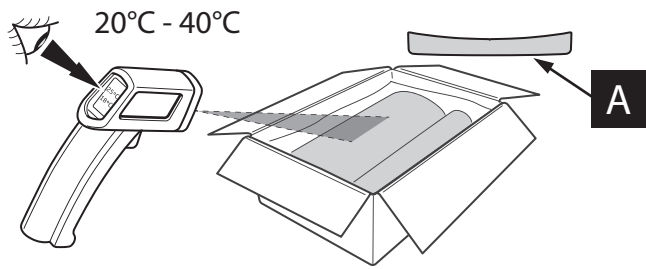
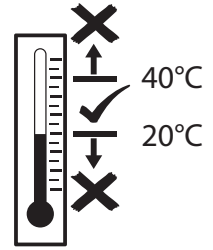
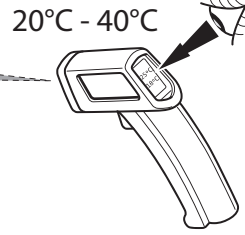
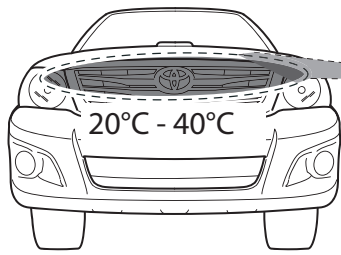




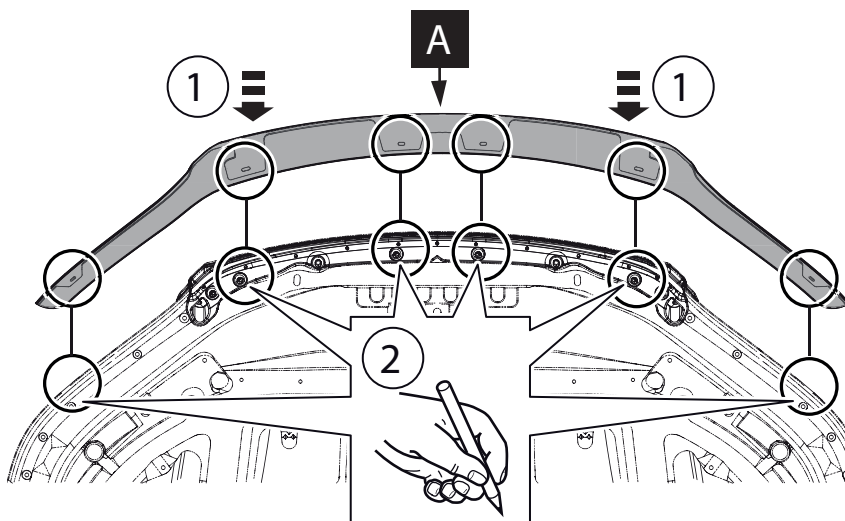
Material Safety Data Sheet



Technical Data Sheet

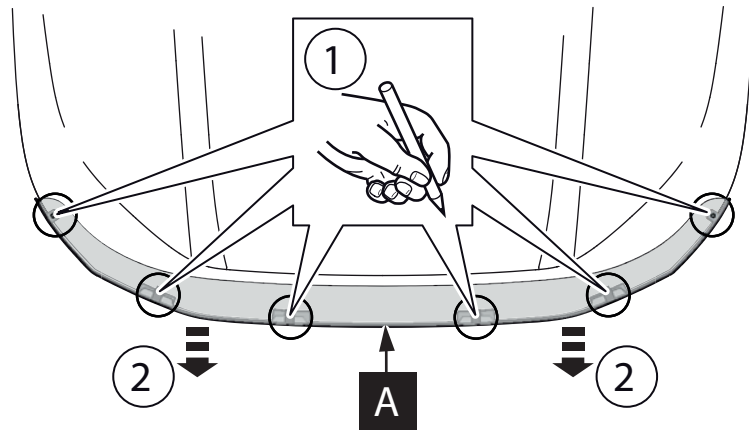


1

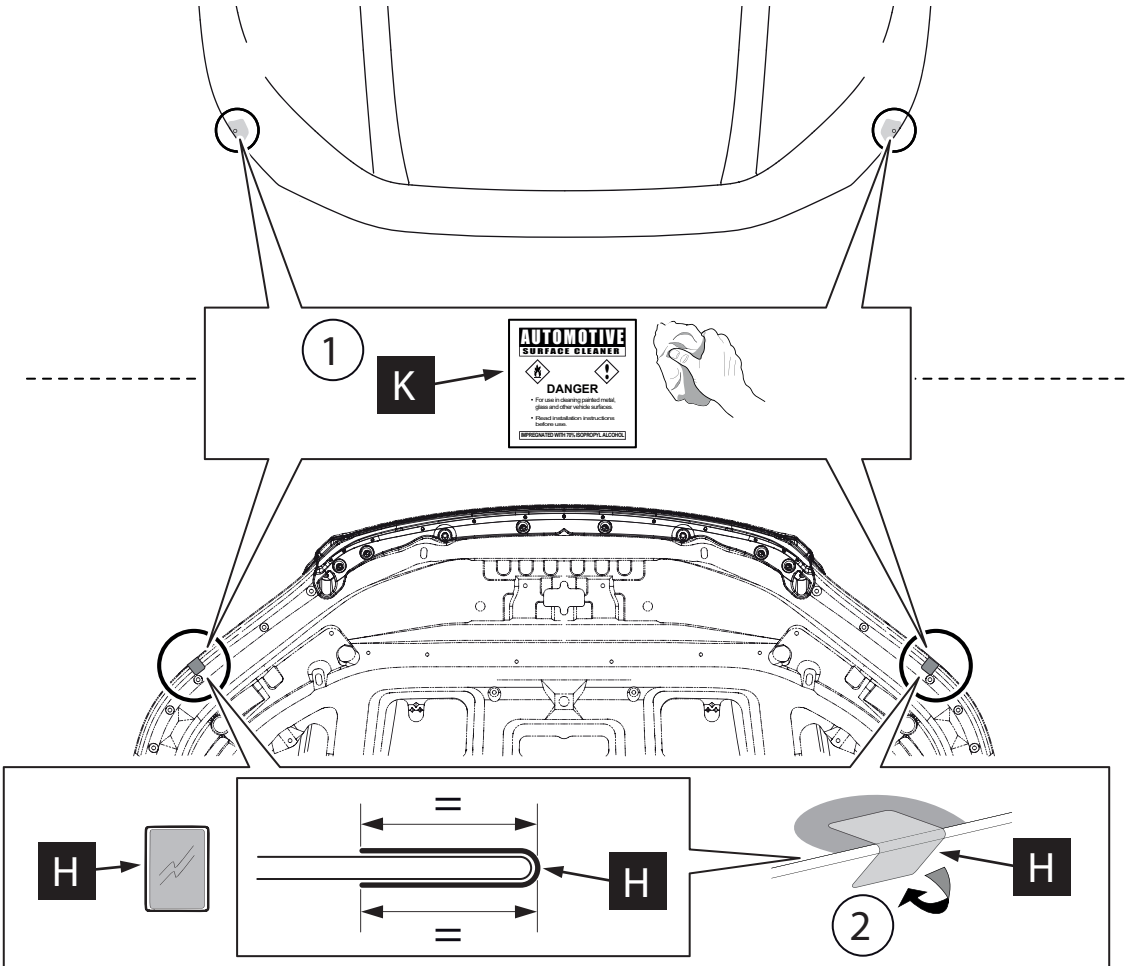


2

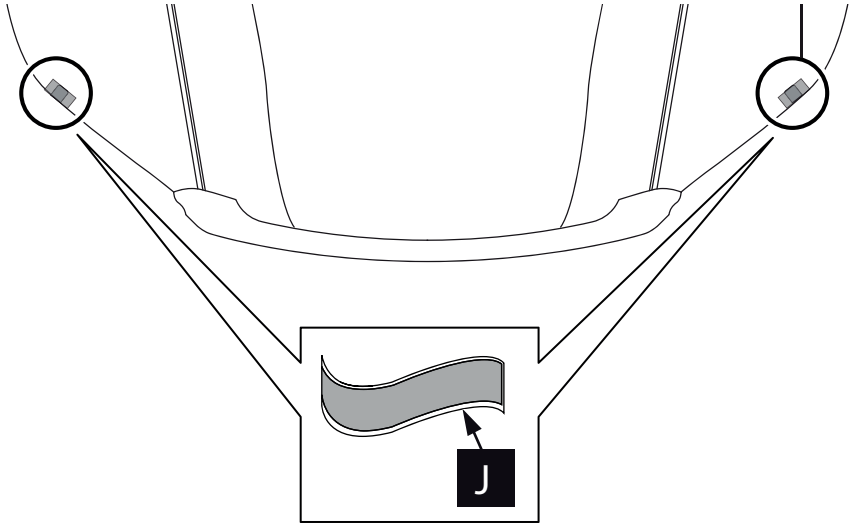
3

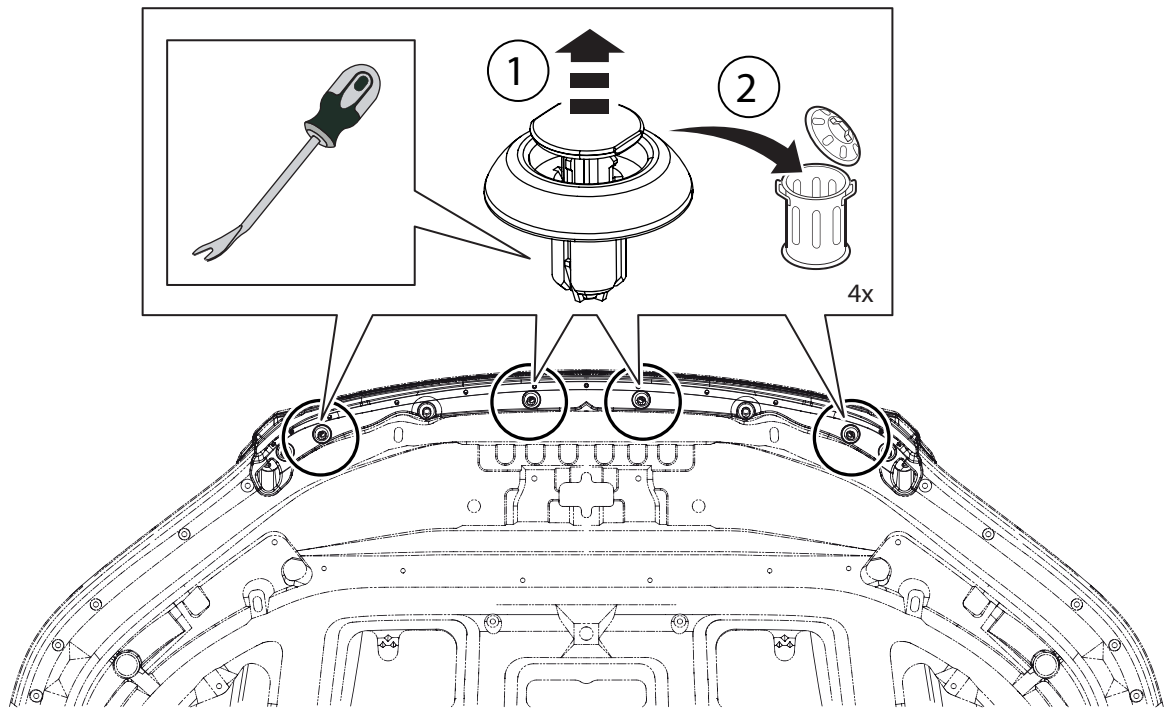


4

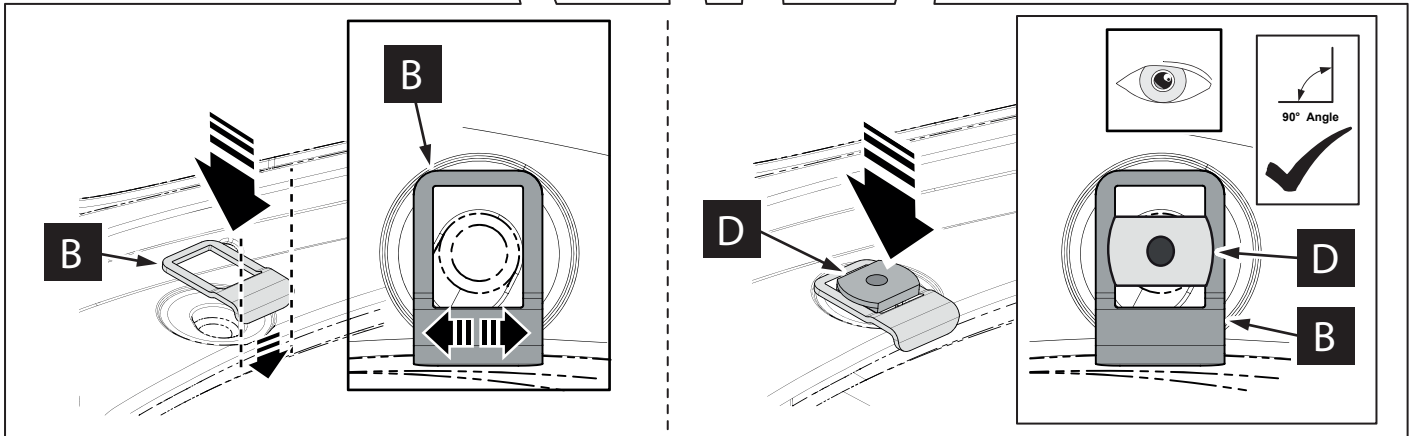
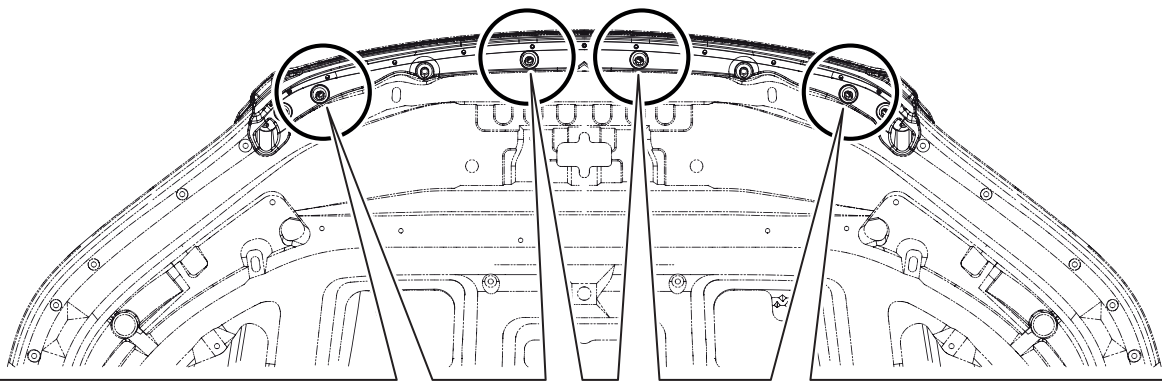


5

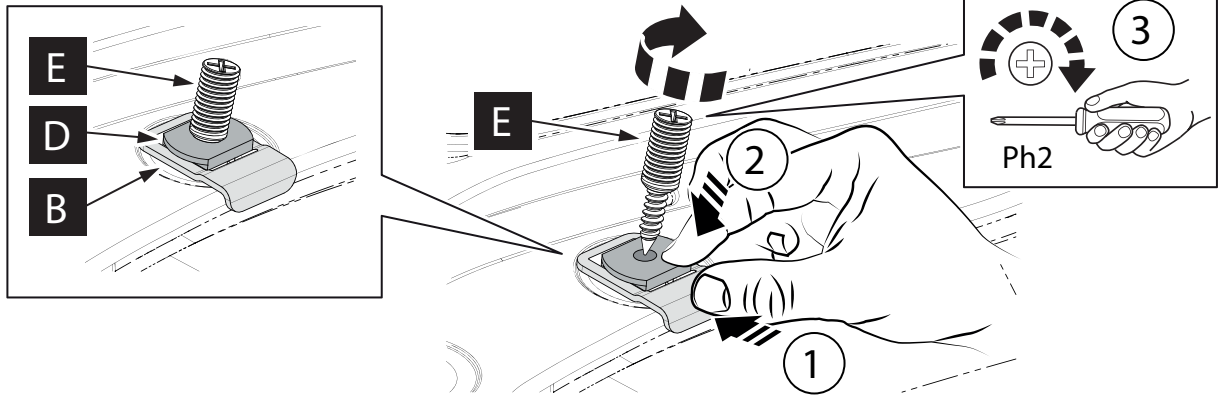




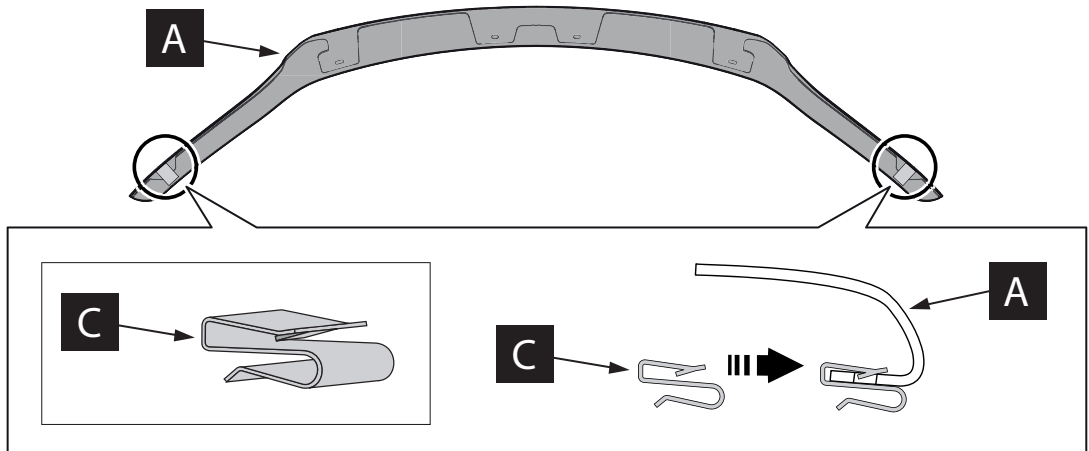
6



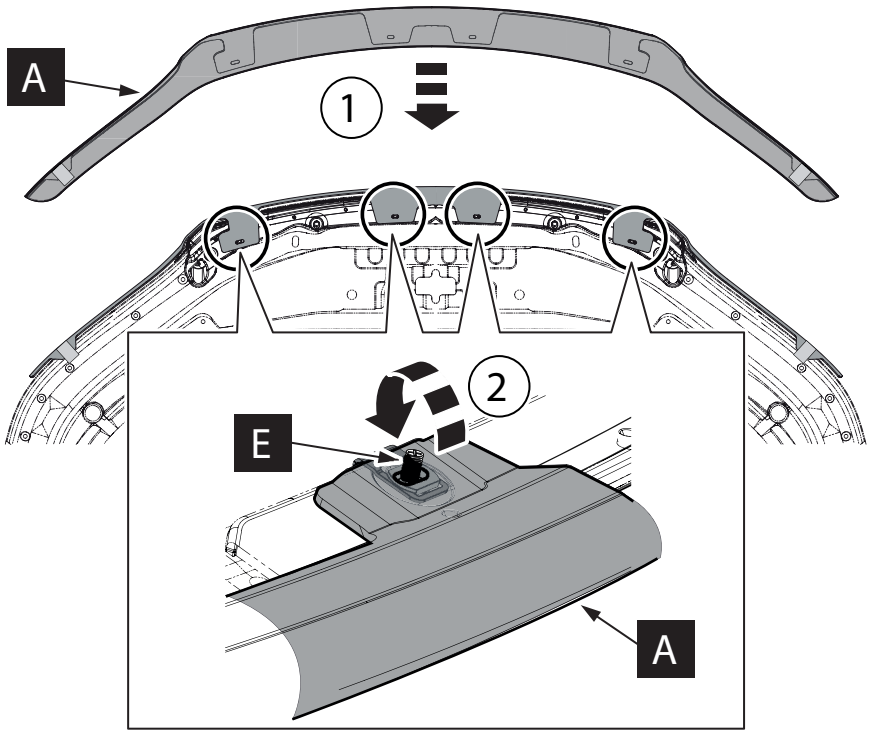
7



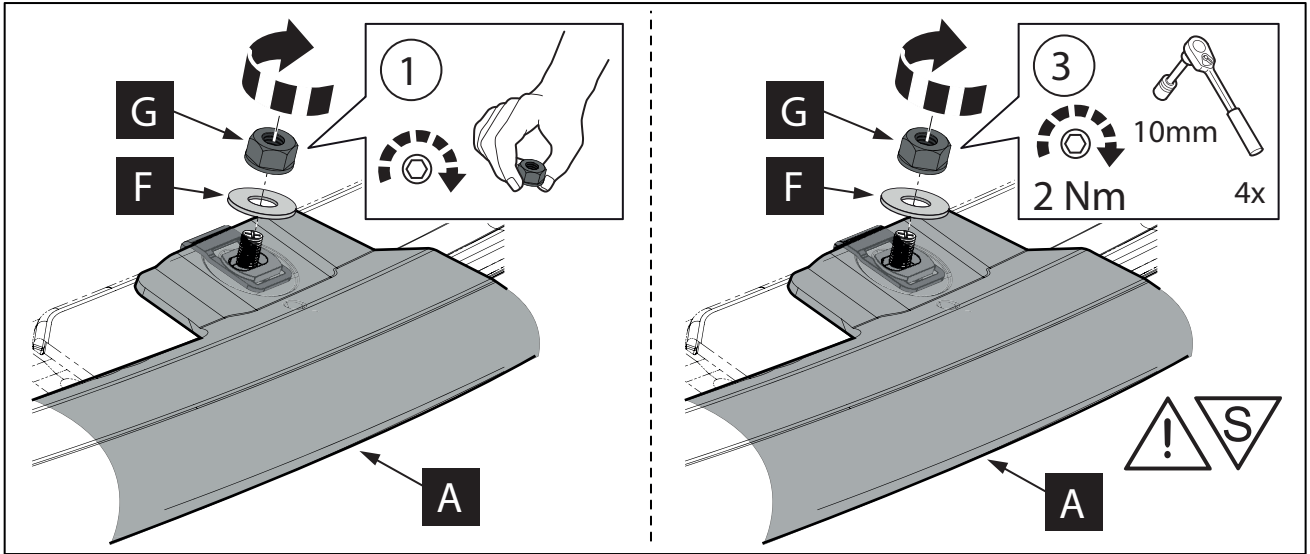
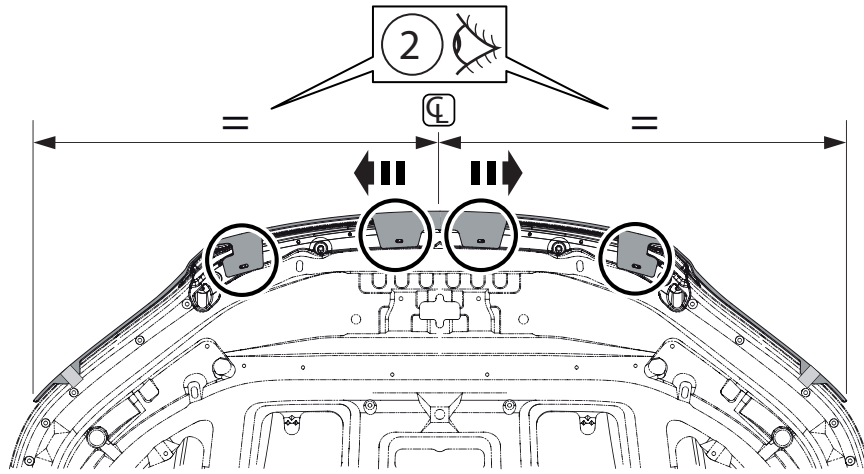
8



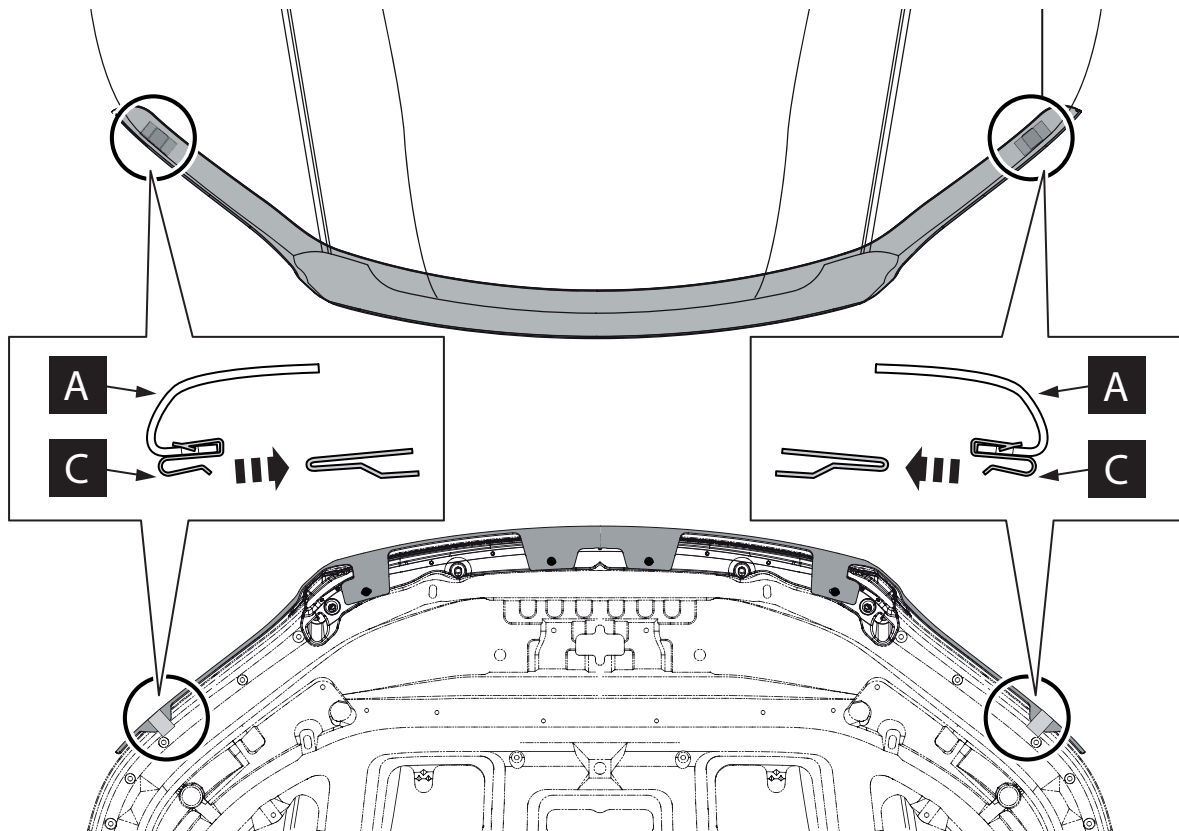
9



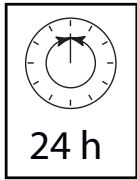
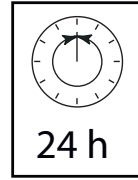
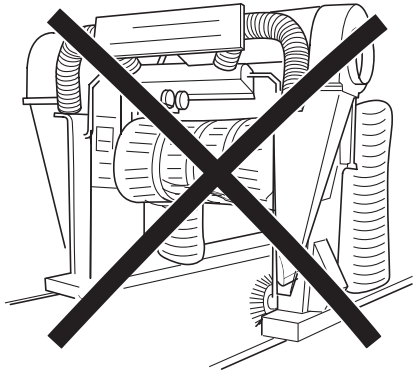
10



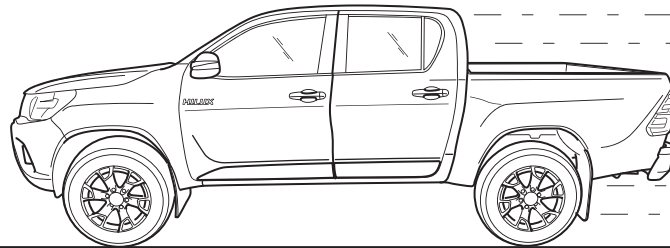
11



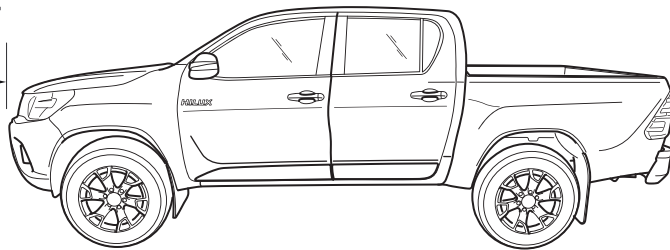
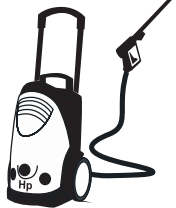
12



Max. 90 km/h



> 0,5 meter



CHECK SHEET Page 1 of 1



TOYOTA

Model / Year

Hilux

Hood Deflector

As from 2020/05


ALWAYS A
BETTER WAY

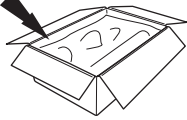
VIN n°



<input type="text"/>	<input type="text"/>	<input type="text"/>	<input type="text"/>	<input type="text"/>	<input type="text"/>	<input type="text"/>	<input type="text"/>	<input type="text"/>	<input type="text"/>	<input type="text"/>	<input type="text"/>	<input type="text"/>	<input type="text"/>	<input type="text"/>	<input type="text"/>
----------------------	----------------------	----------------------	----------------------	----------------------	----------------------	----------------------	----------------------	----------------------	----------------------	----------------------	----------------------	----------------------	----------------------	----------------------	----------------------

DURING INSTALLATION

1

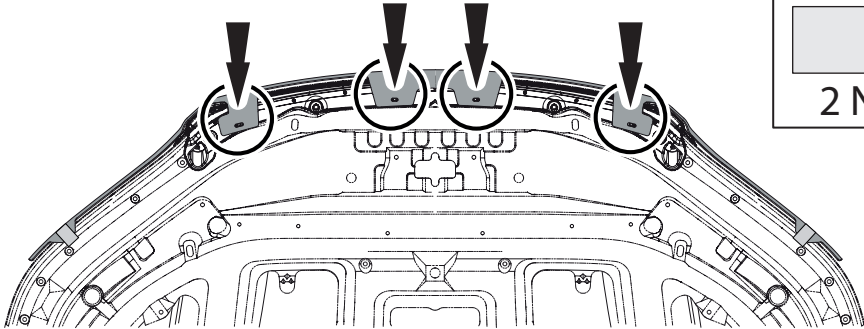
 P/N = OK




	
=A	=B

AFTER INSTALLATION

1





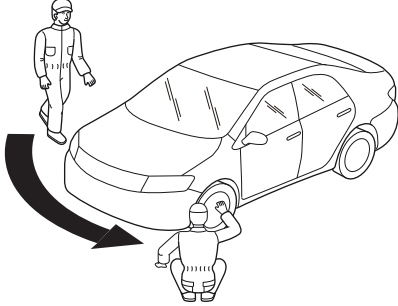
 **Serial Number**

2 Nm 4x

A B

2

  = OK



Installation Date:

. . / . . /

Technician Name & Signature:

Stamp: