



TOYOTA

ALWAYS A
BETTER WAY

Toyota C-HR

Front under guard

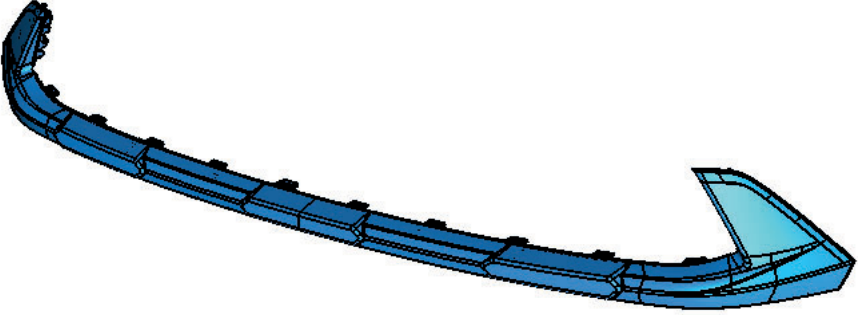

Installation instructions





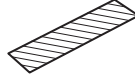





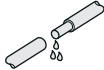


Model year:	2019/10	
Vehicle code:	*****-H****W	
Part number:	PW417-10020	Front under guard






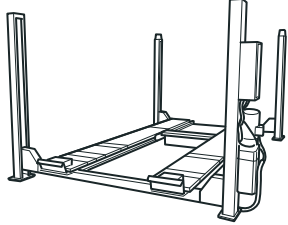
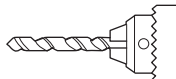





Manual reference number: AIM 004 551 - 0

Revision Record

Rev. No.	Date	Page	Step	Remarks

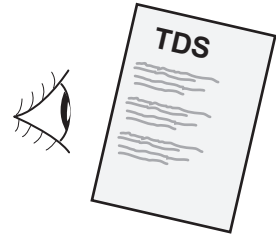
PW417-10020	
PW417-10001	90167-40057
	
A	B
1x	10x

 = 	 = 	 = 	  = 	 = 
 = 	 = 	 = 	  = 	 =  START

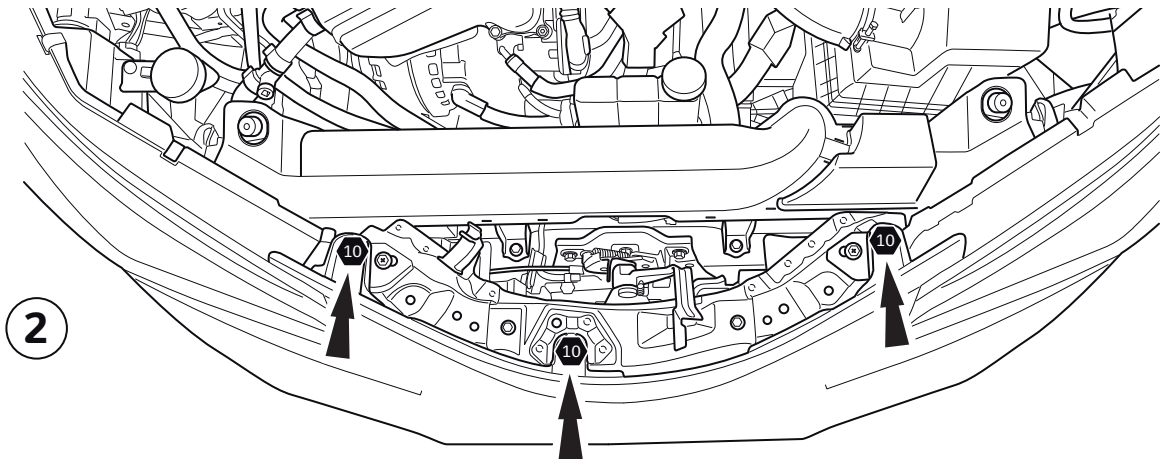
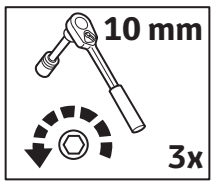
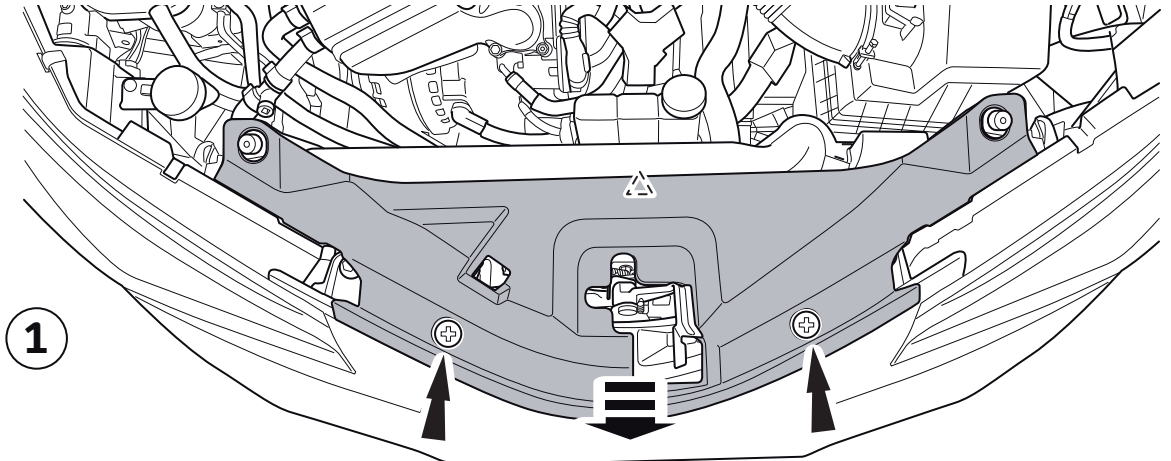
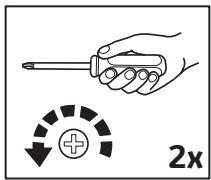
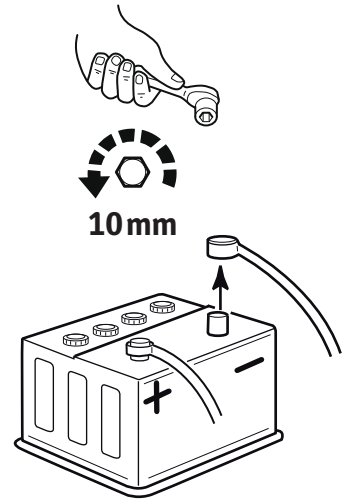
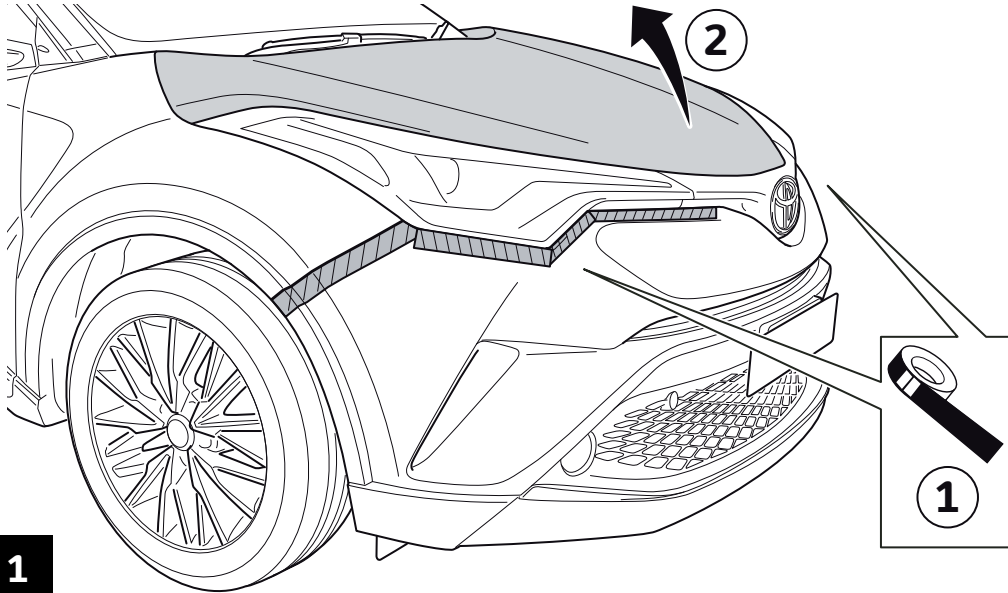
 10 mm					
 Ø3,5 mm Ø6 mm		  CLEANER / DEGREASER	 AIM 003 516-*	 10 mm	

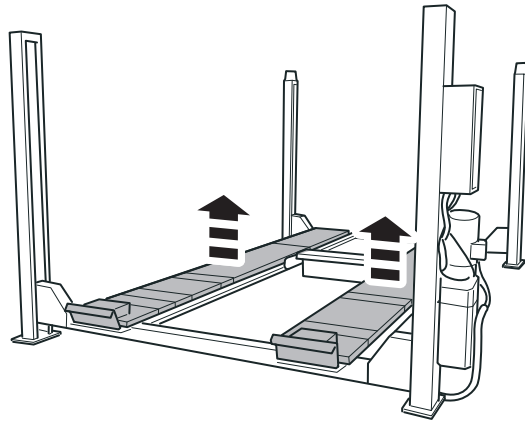


Material Safety Data Sheet

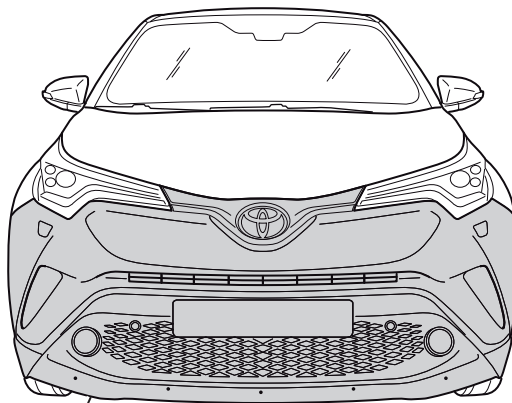
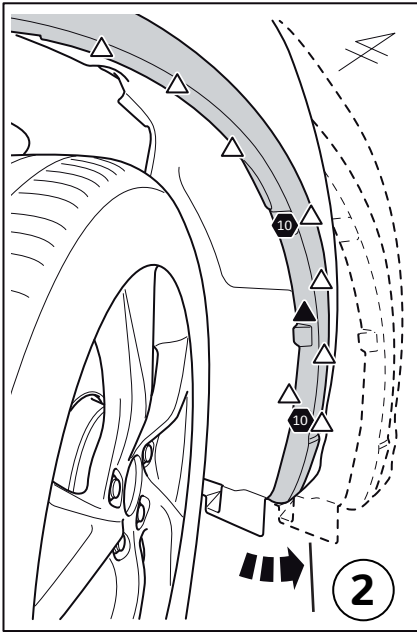


Technical Data Sheet

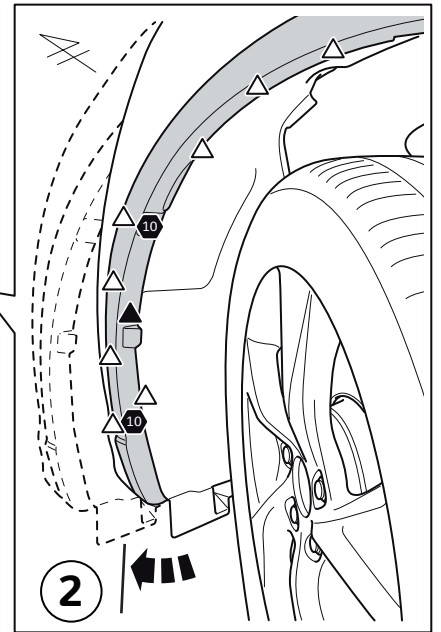
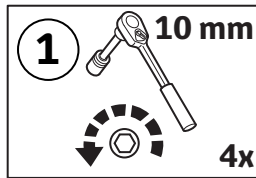




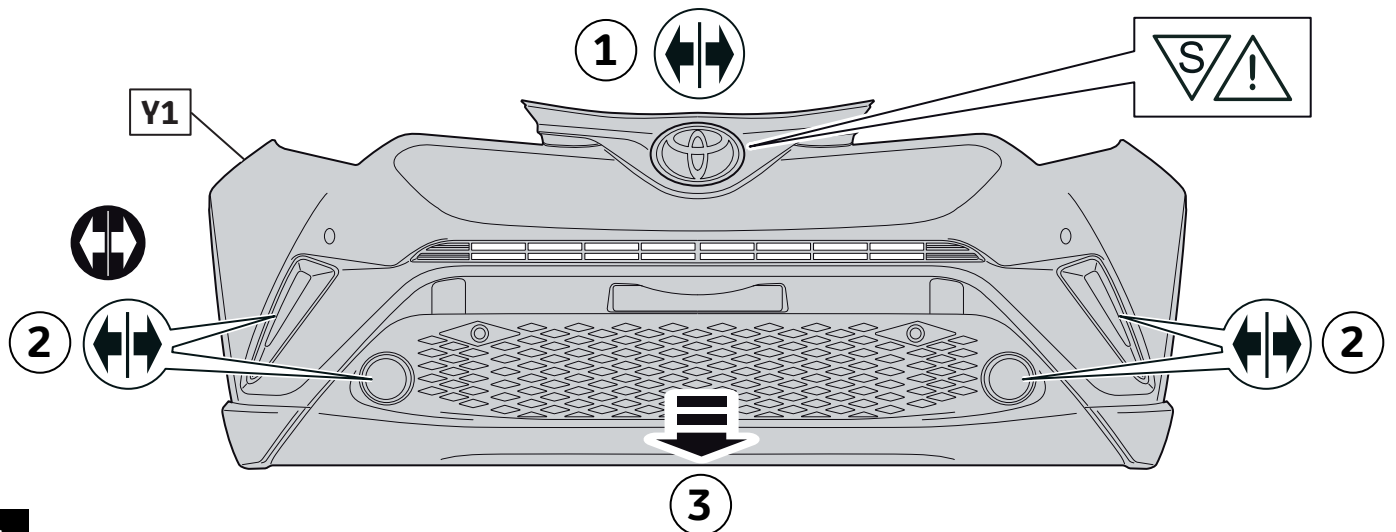
4



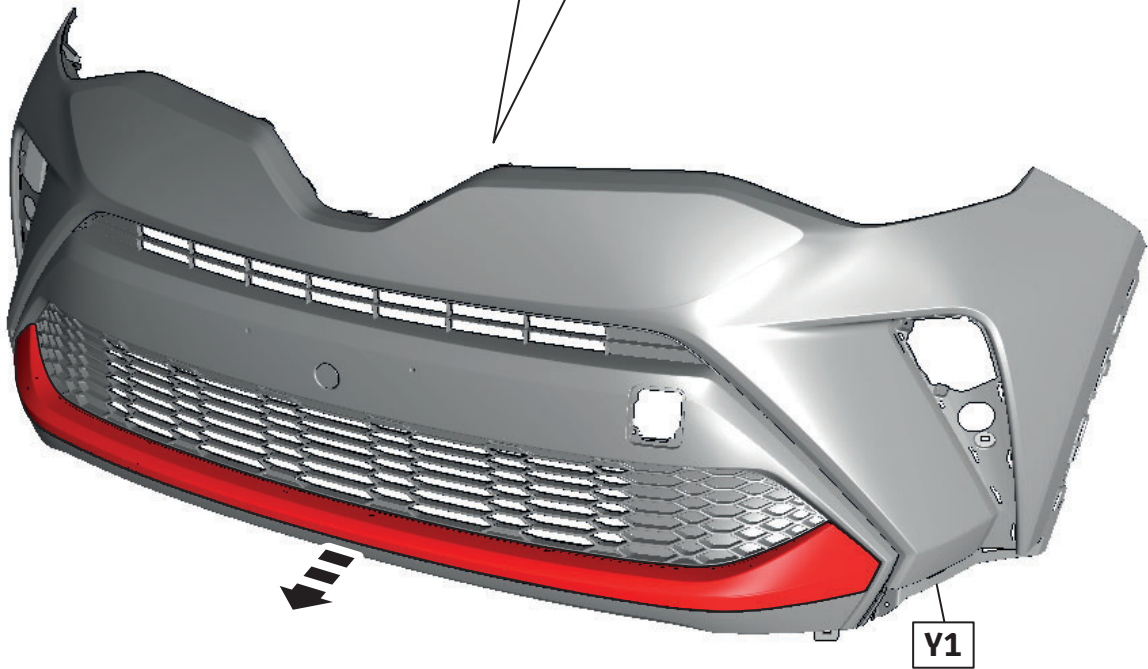
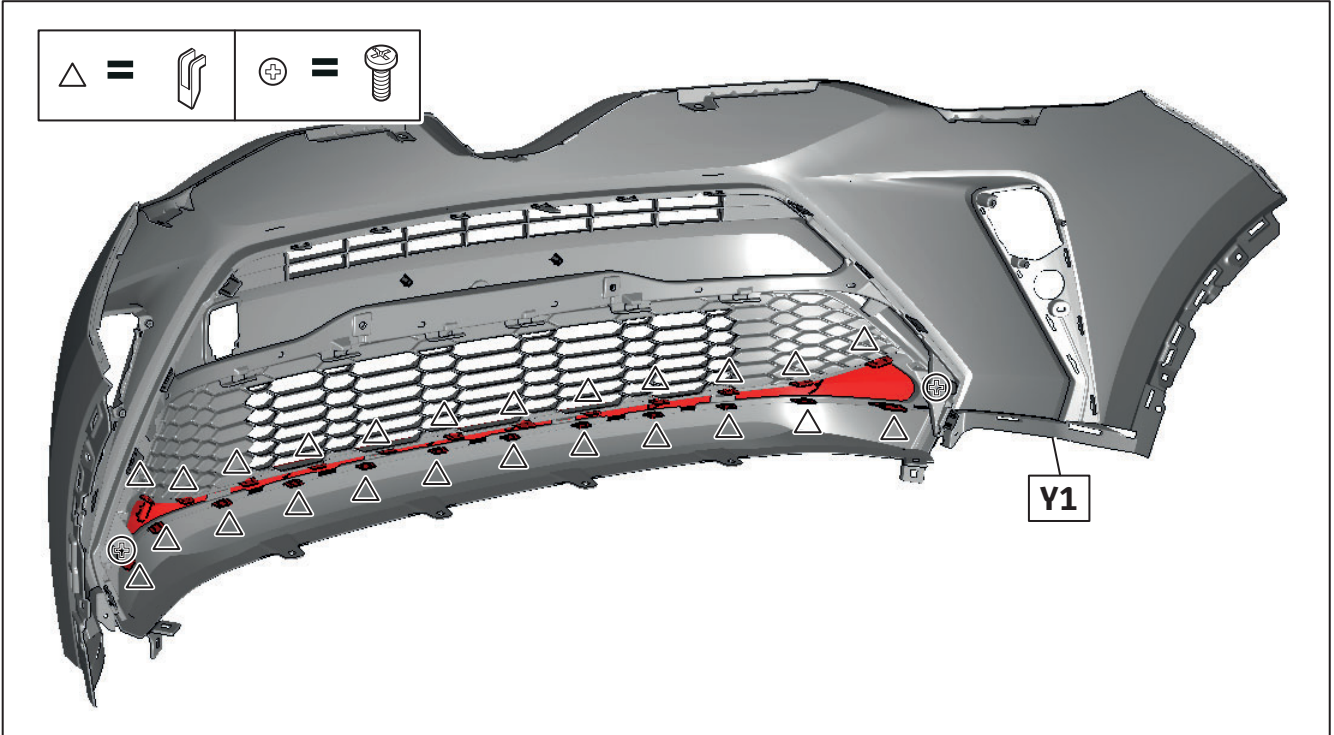
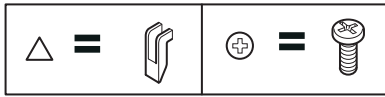
Y1



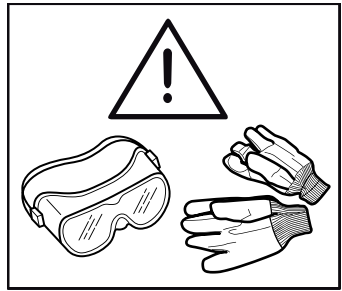
5



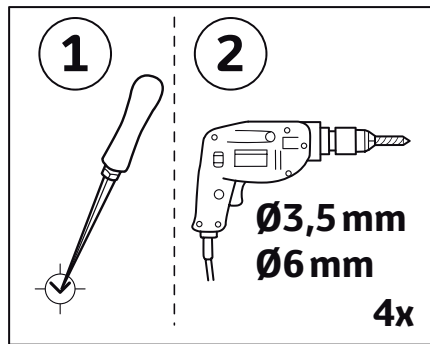
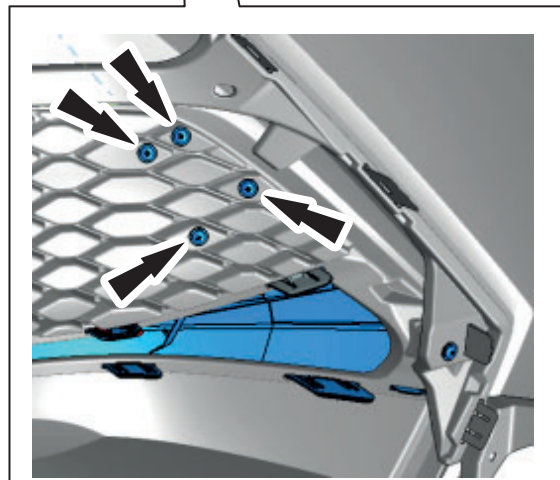
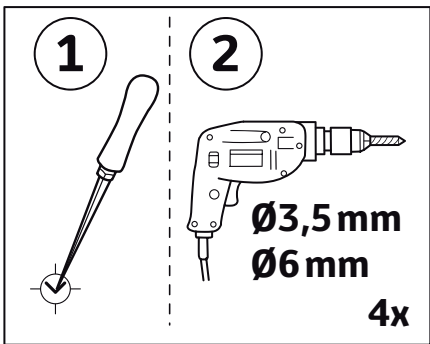
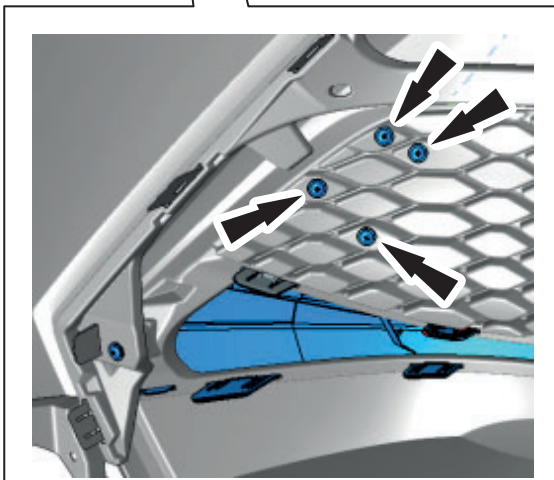
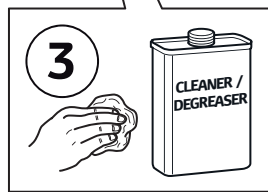
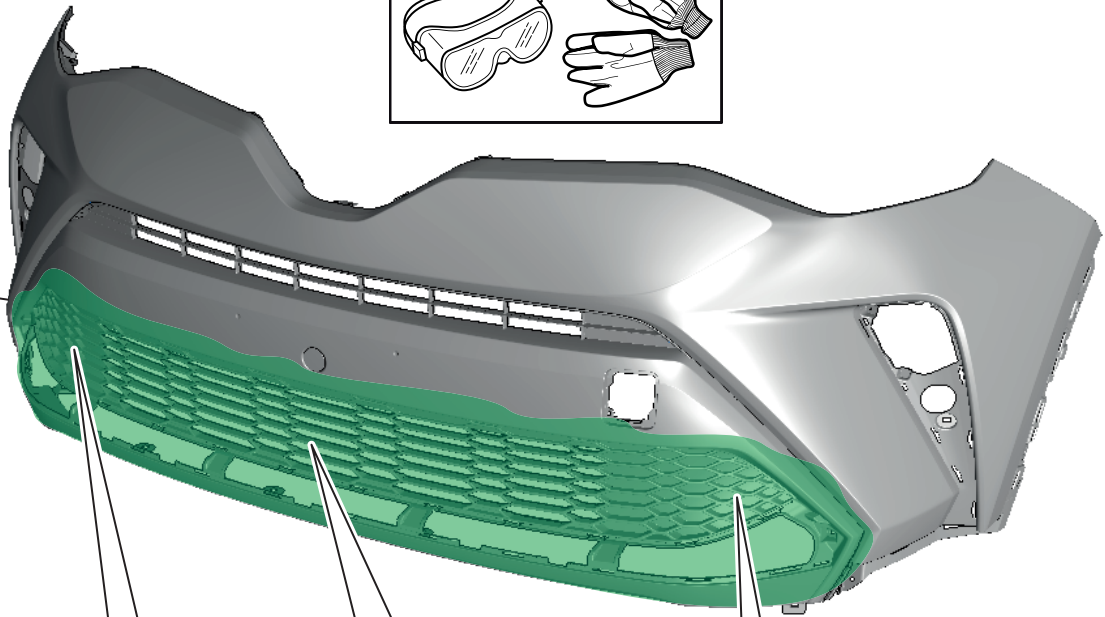
6

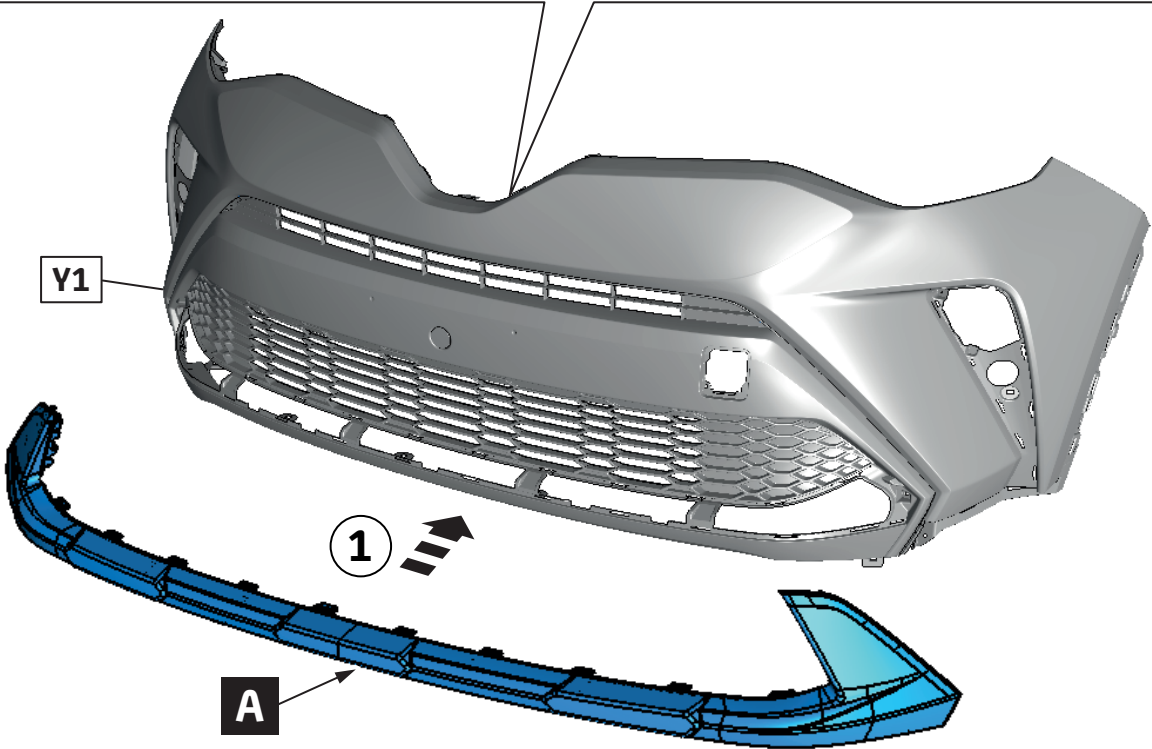
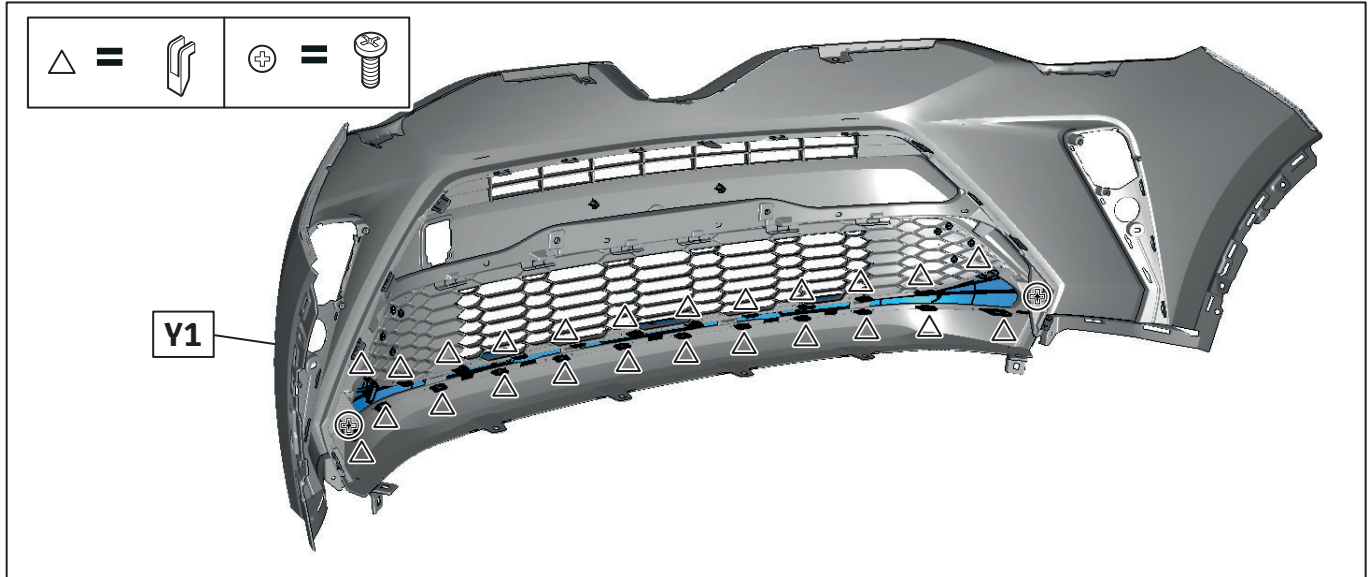


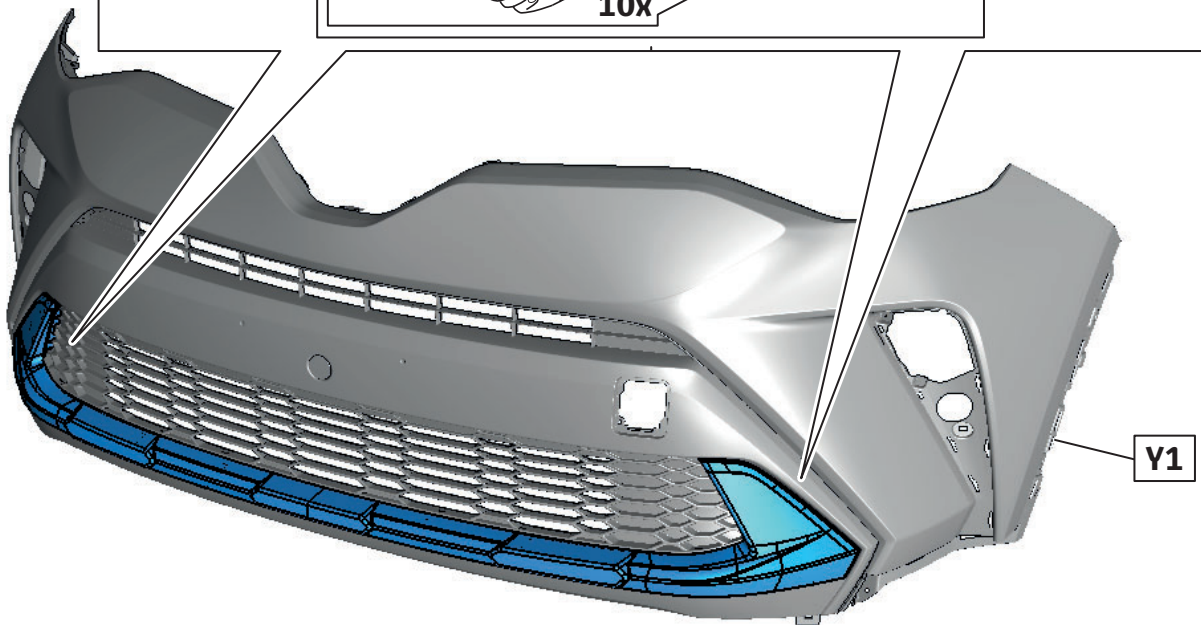
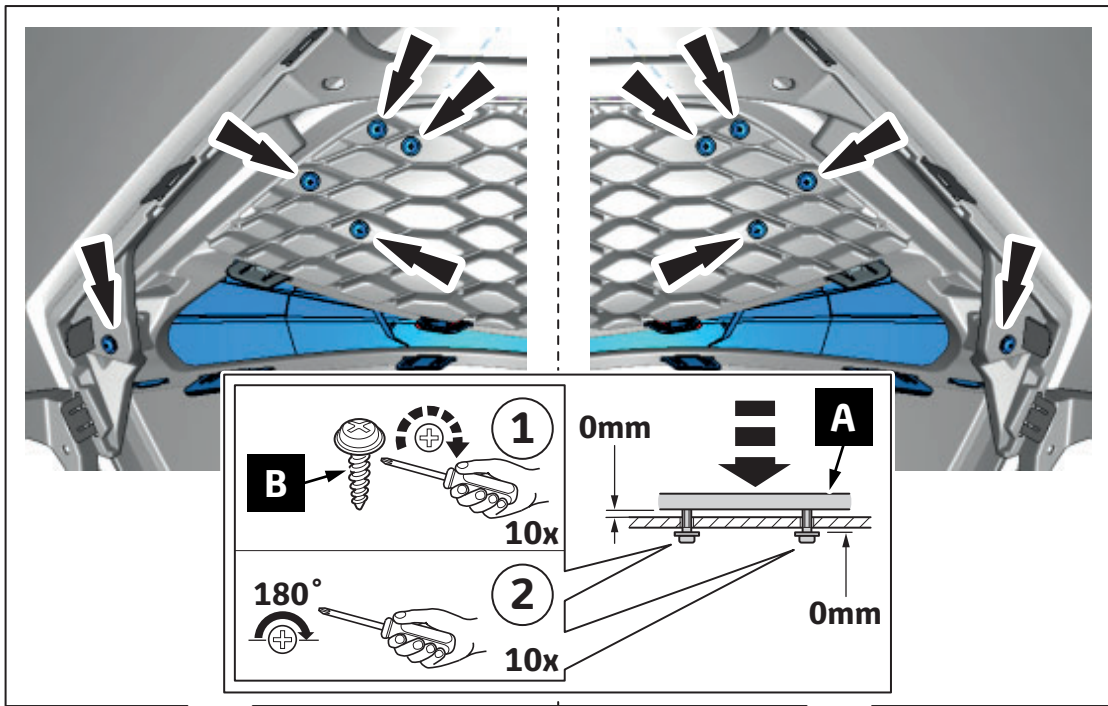
7



Y1

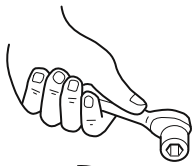






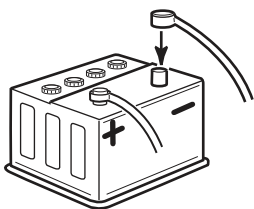
10

INFO

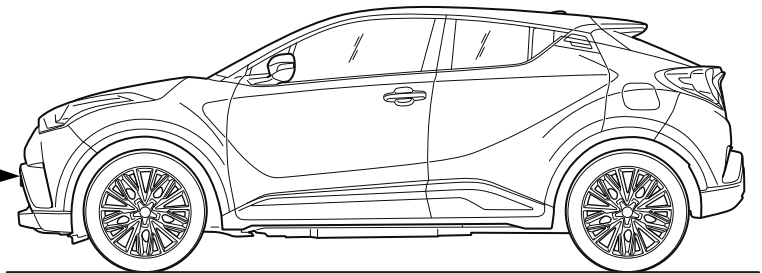


10mm

5,4 Nm



> 50 cm



11

CHECK SHEET

Sheet 1 of 2



TOYOTA

ALWAYS A BETTER WAY



Model / Year Toyota C-HR
2019/10



Front under guard

VIN n°

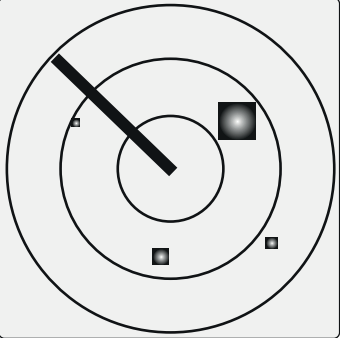
DURING INSTALLATION

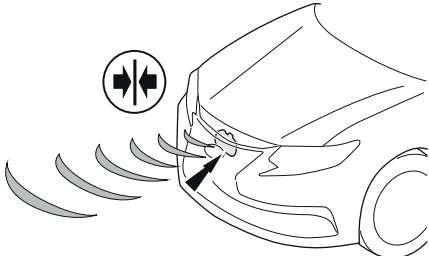
1

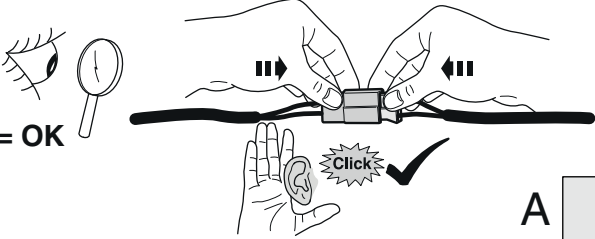
 P/N = OK 


 =A  =B

2







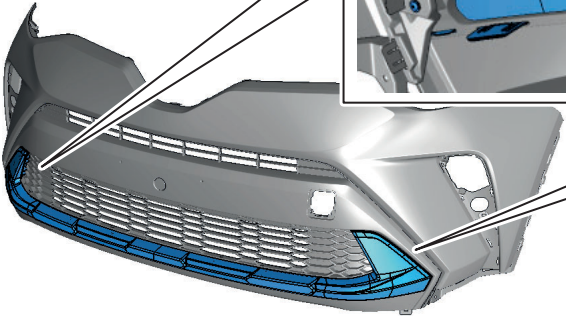


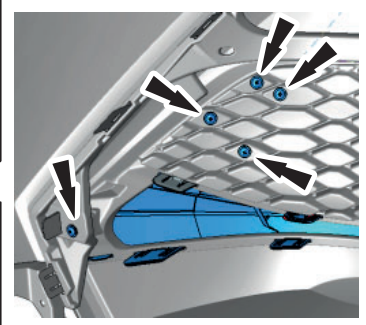
 = OK

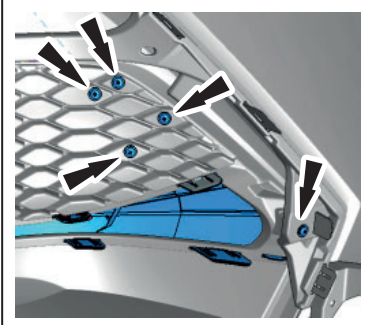
A B

3







Installation Date:
... / ... /

Technician Name & Signature:

Stamp:

CHECK SHEET

Sheet 2 of 2



TOYOTA

Model / Year Toyota C-HR
2019/10

Front under guard

VIN n°

ALWAYS A
BETTER WAY

AFTER INSTALLATION

1

5,4 Nm

CLICK

Serial Number

2

3

= OK

4

No DTC = OK

5

6

7

T1/T2/T3/T4

Beep

8

= OK

Installation Date:

... / ... /

Technician Name & Signature:

Stamp: