



TOYOTA

ALWAYS A
BETTER WAY

Yaris -, Auris - & Auris Touring Sports Hybrid

Scuff Plates

Installation Instruction

Model year: Yaris Hybrid 2012/04, 2014/07
Auris Hybrid 2012/10, 2015/05

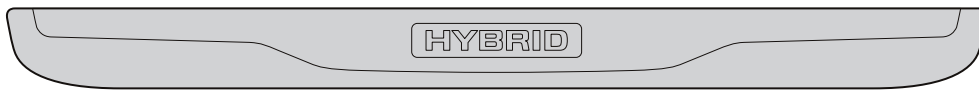
Vehicle code: NHP130*-CHX*BW ZWE18**-D***BW **E18**-DW***

Part number: PZ438-B218C-00

Manual reference number: AIM 002 612 - 4

Revision Record

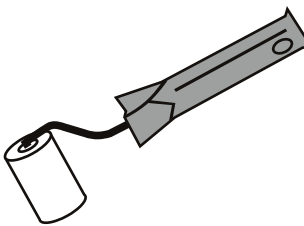





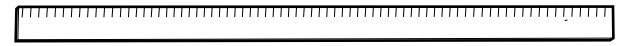
Rev. No.	Date	Page	Picture	Update	New	Deleted steps
1	03-05-13			Front page	new model	
2	13-03-14	all	all	X		
3	11-05-15	all	all			
4	04-12-18	2, 3,4	5, 8, 10	Tools, cleaner, dimensions		



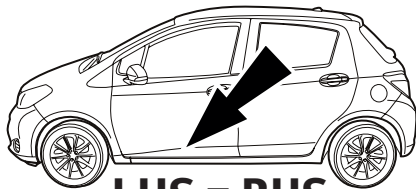
A

PZ438-B218C-00

2x

		  <p>AIM 003-516-*</p>
		

Yaris
(3 +5 door)

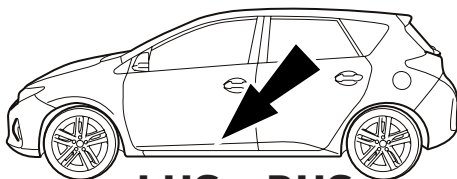


LHS = RHS



1 - 6

Auris



LHS = RHS



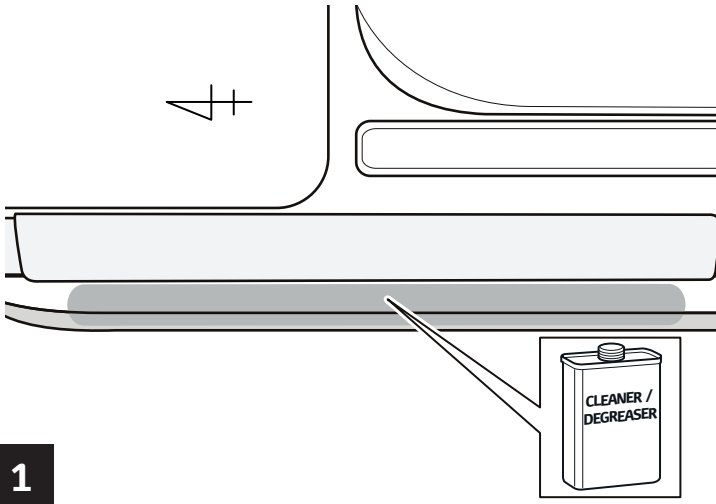
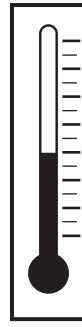
7 - 12



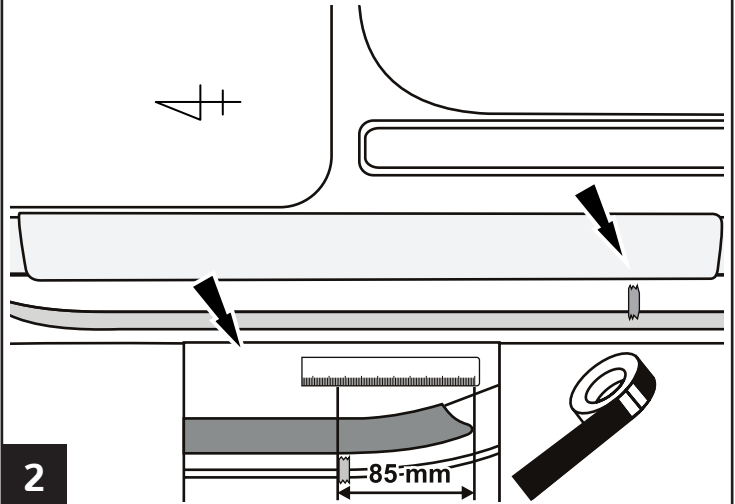
Material Safety Data Sheet

40°C

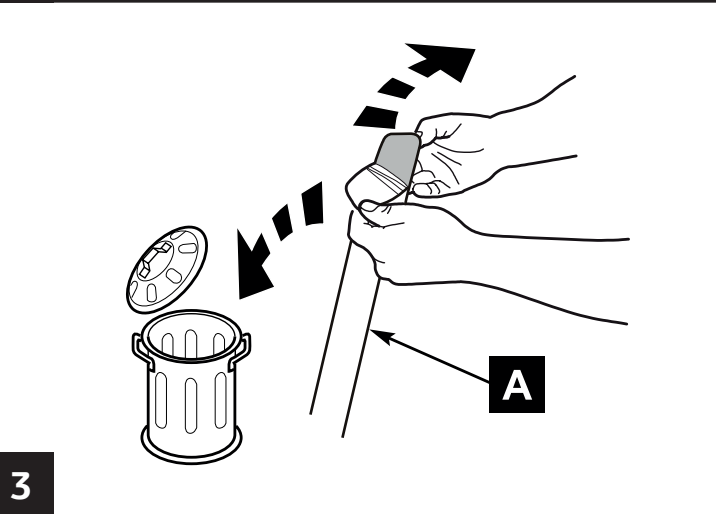
18°C



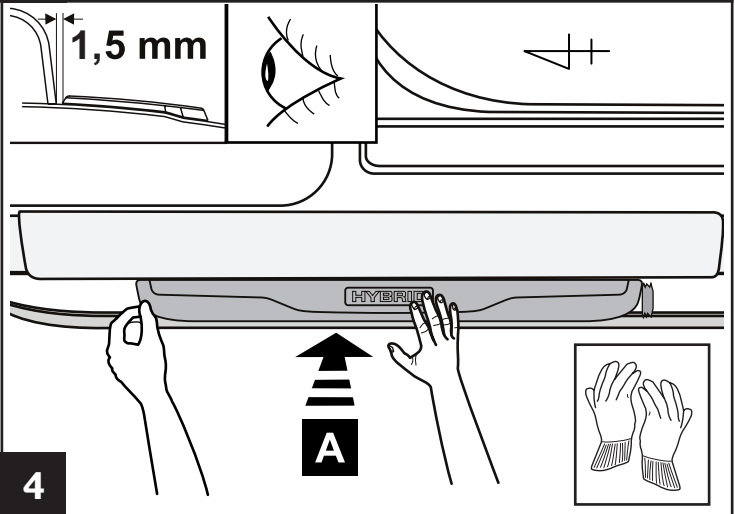
1



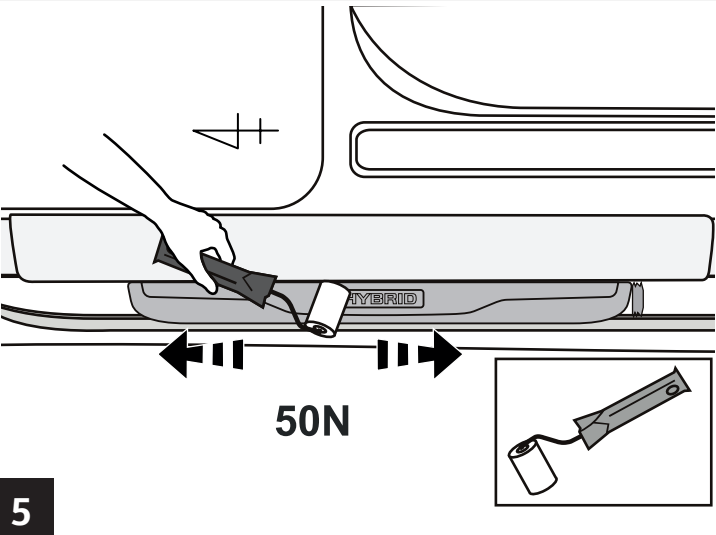
2



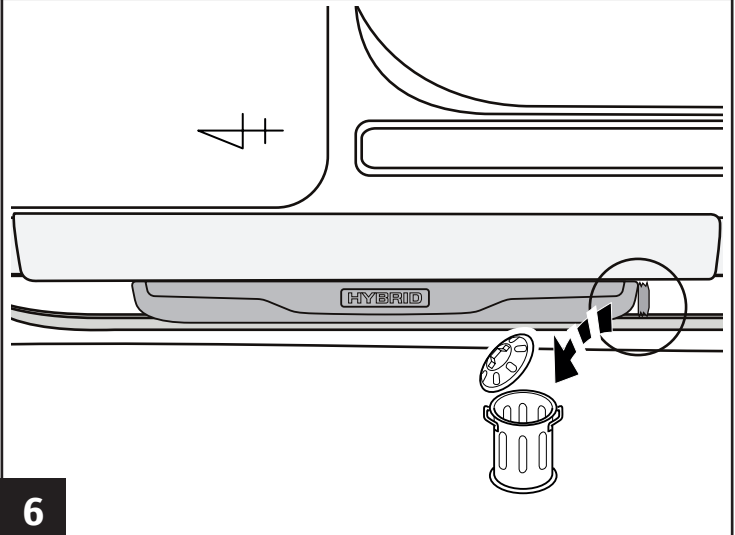
3



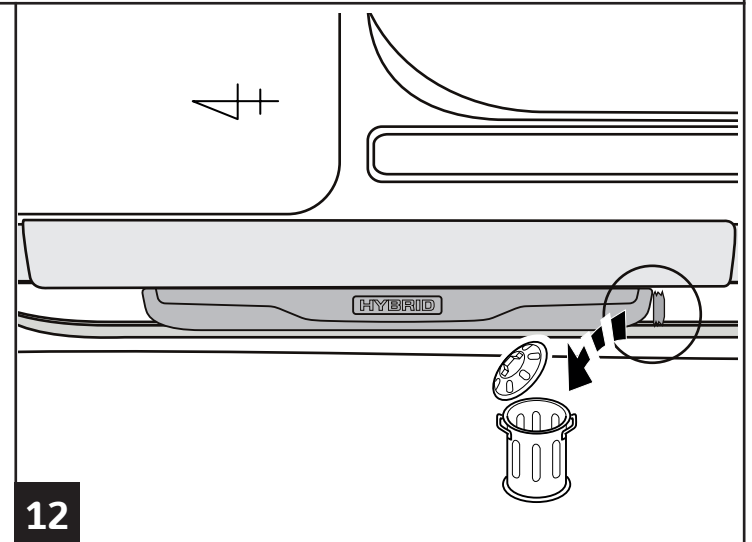
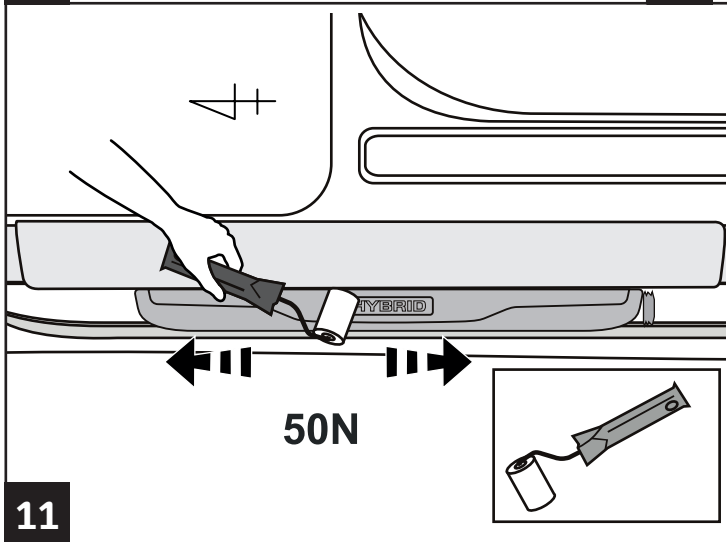
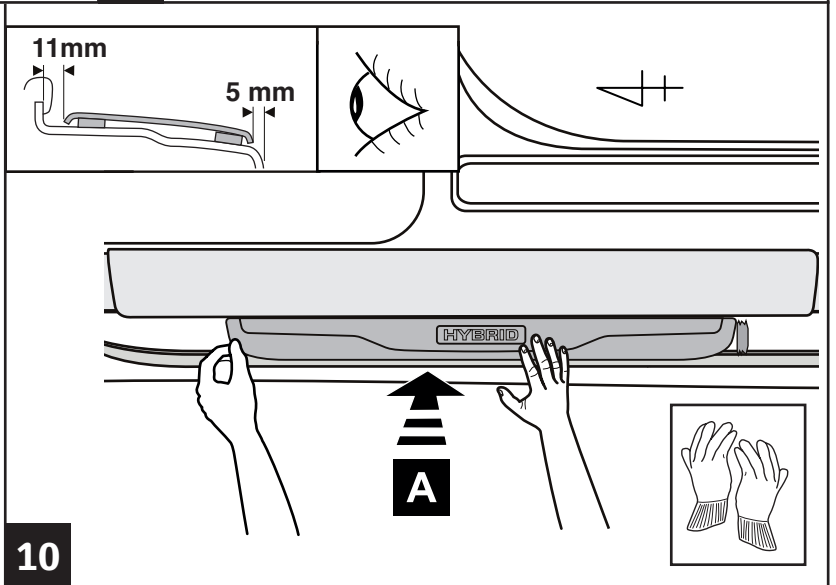
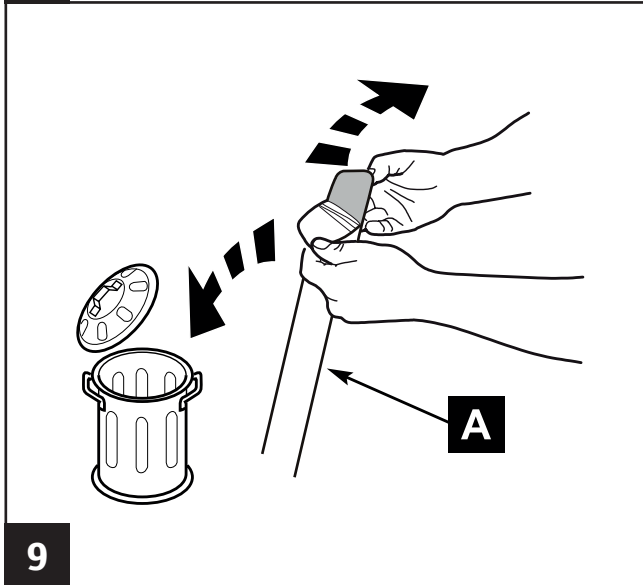
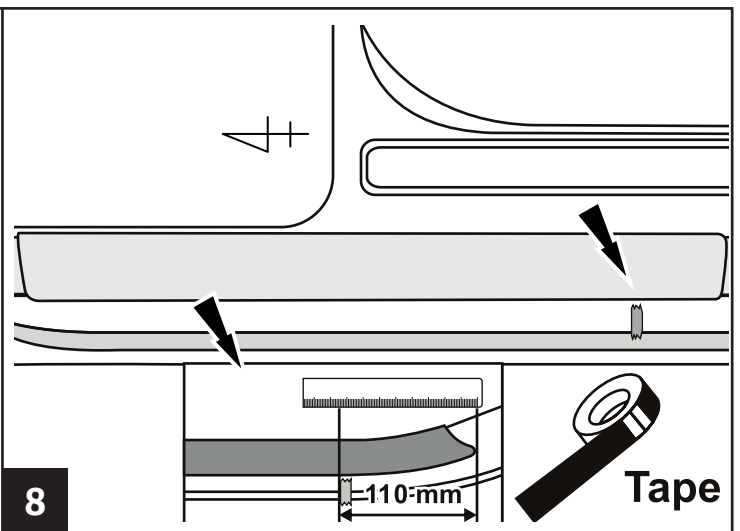
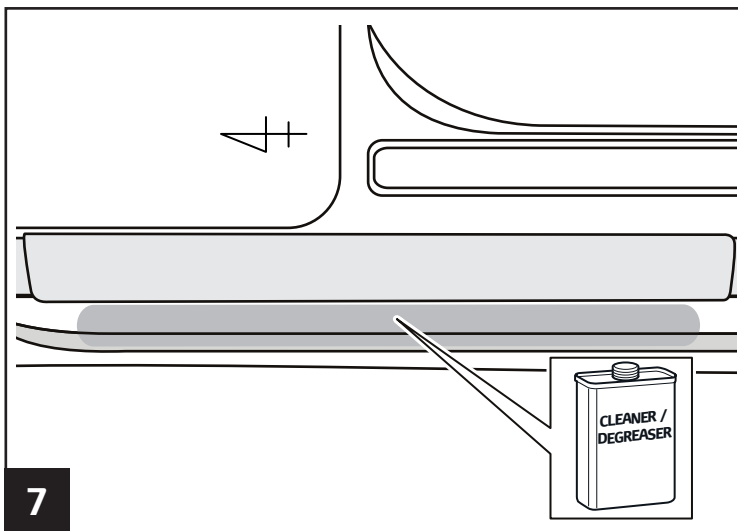
4



5



6



CHECK SHEET



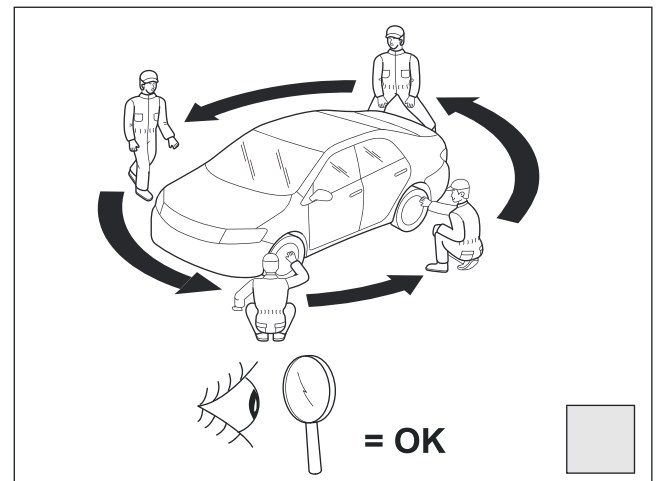
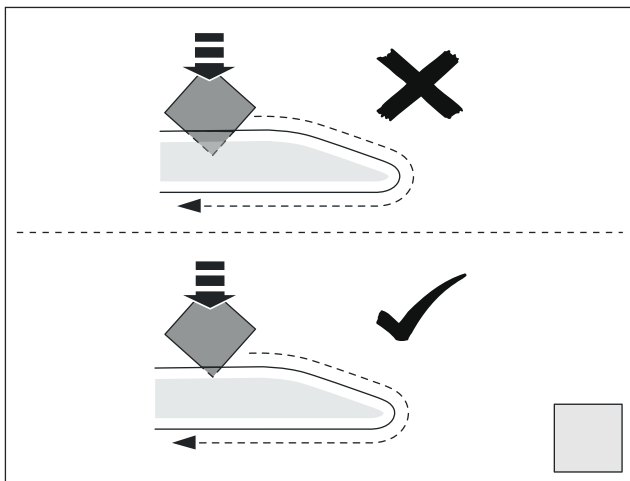
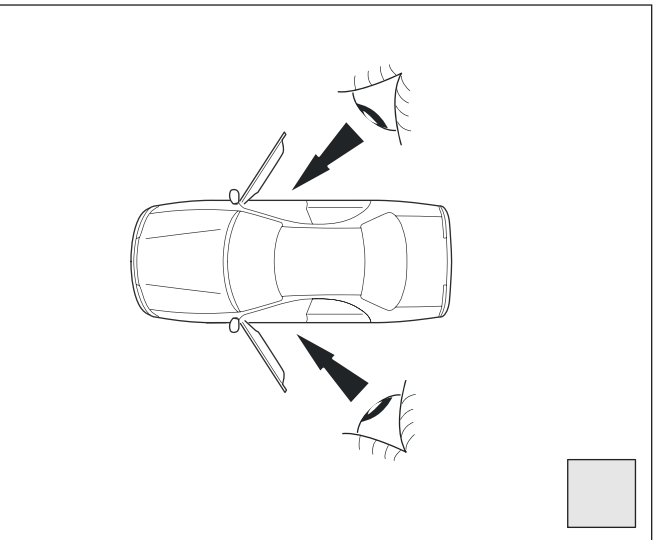
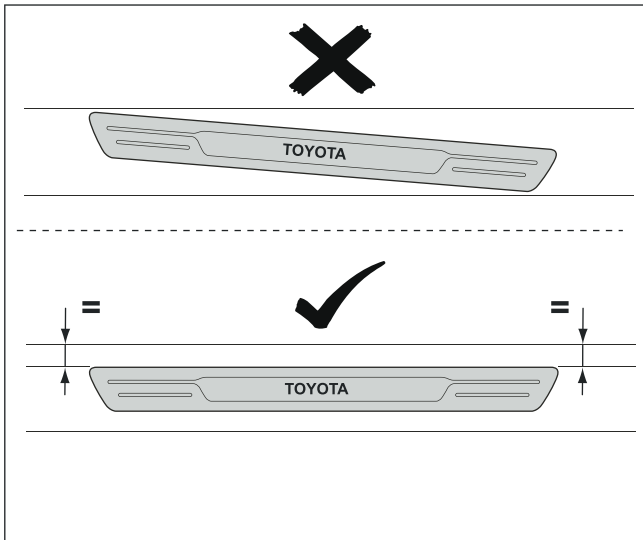
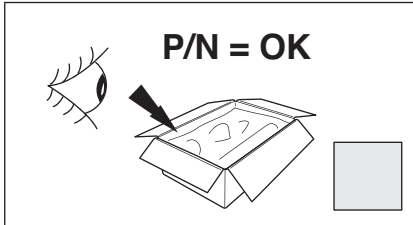
TOYOTA

ALWAYS A
BETTER WAY

Model / Year **Yaris Hybrid 2012/04**
Yaris 2014/07
Auris Hybrid 2012/10, 2015/05

Scuff Plates

VIN n°



Installation Date:

. . . / . . . /

Technician Name & Signature:

Stamp: