

Prius Plug-In Hybrid

Mudflaps

Installation Instructions

Model year: As from 2023/03
Vehicle code: MXWH61*-AHX*BW
Part number: PK389-47R00-P1

Manual reference number: AIM 005 290-0

Latest Version
SCAN HERE

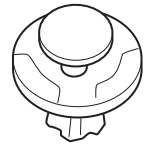
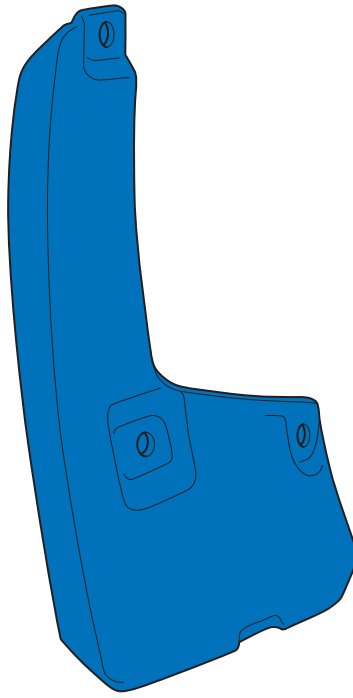
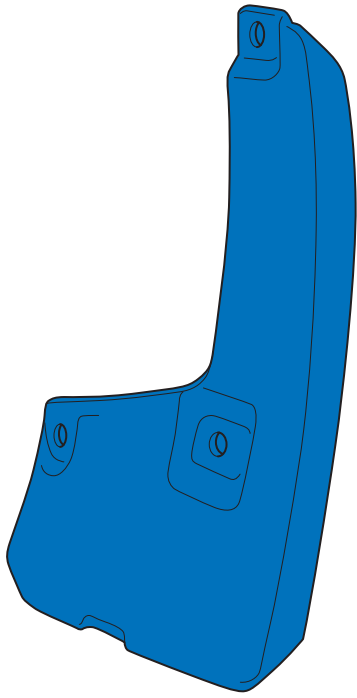


Revision Record

Rev. No.	Date	Page	Step	Remarks

KIT CONTENT

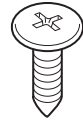
PK389-47R00-P1



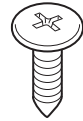
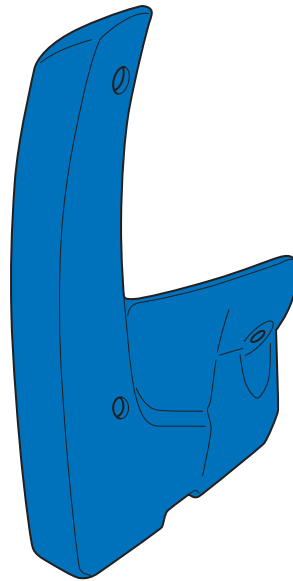
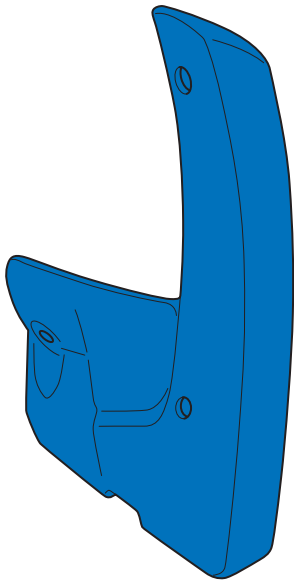
A FRONT LHS 1x

FRONT RHS 1x

B 4x



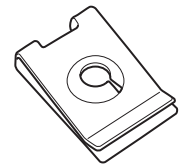
C 4x



D REAR LHS 1x

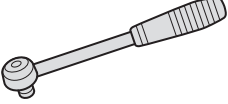

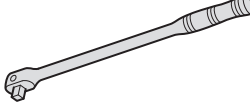
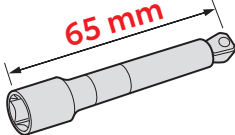
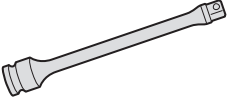



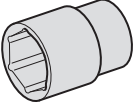
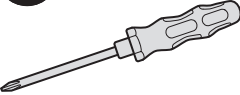
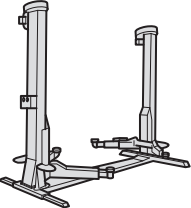
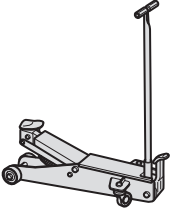
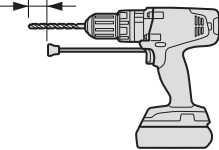
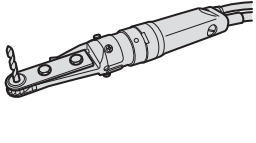
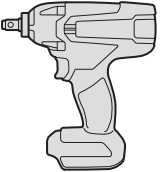
REAR RHS 1x

E 4x








F 4x

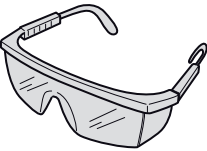
TOOLS

				 Torque stick 100Nm
COBALT DRILL BIT	 10 mm 17 mm	 PH2		
 Ø 3 mm Ø 8 mm				
				

CONSUMABLES

CLEANER / DEGREASER SPRAY				
 SAFETY CLEAN 1	 MULTI FOAM 2			
 AIM 003 516-*				

PERSONAL PROTECTION EQUIPMENT

				
--	--	--	--	--

Symbols Explanation
SCAN HERE



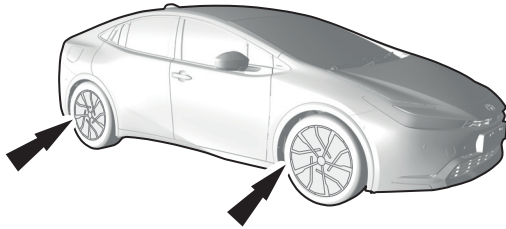
GENERAL



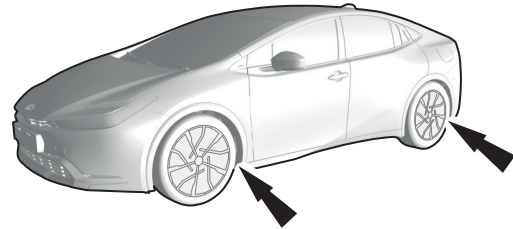
Material Safety Data Sheet



Technical Data Sheet

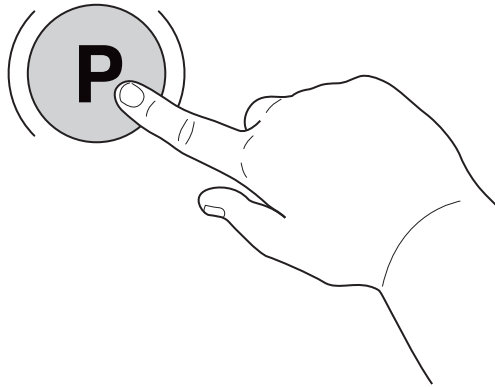


RHS

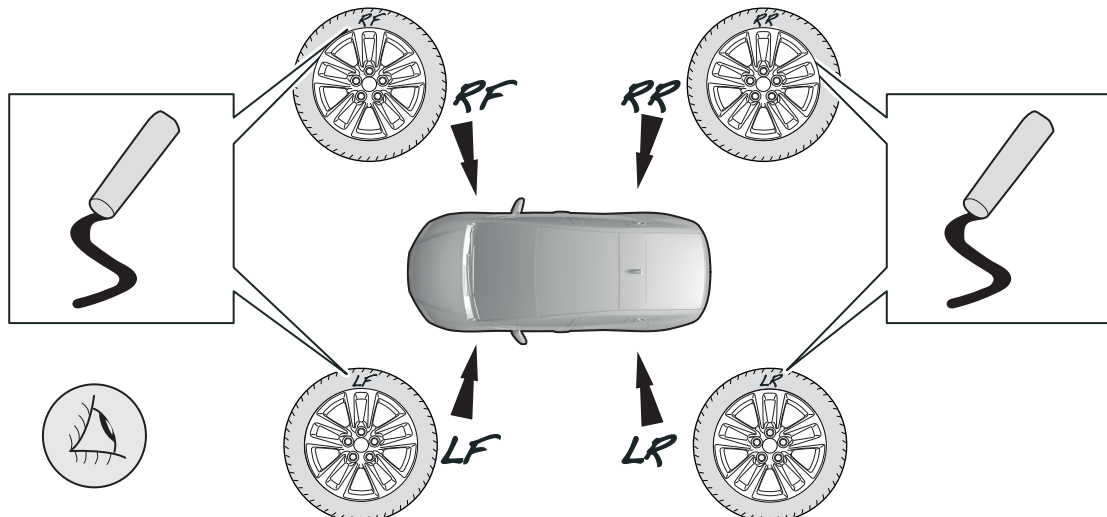


LHS

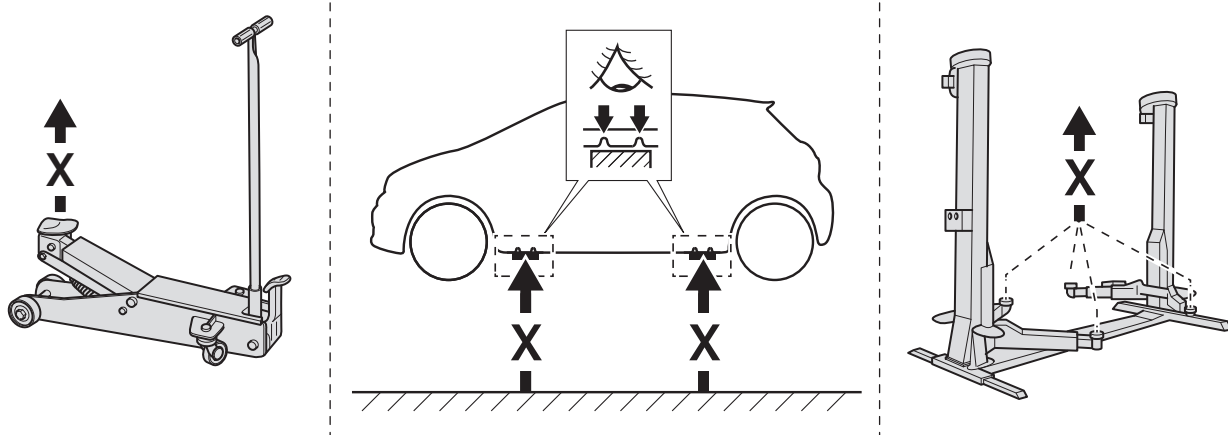
INSTALLATION INSTRUCTIONS



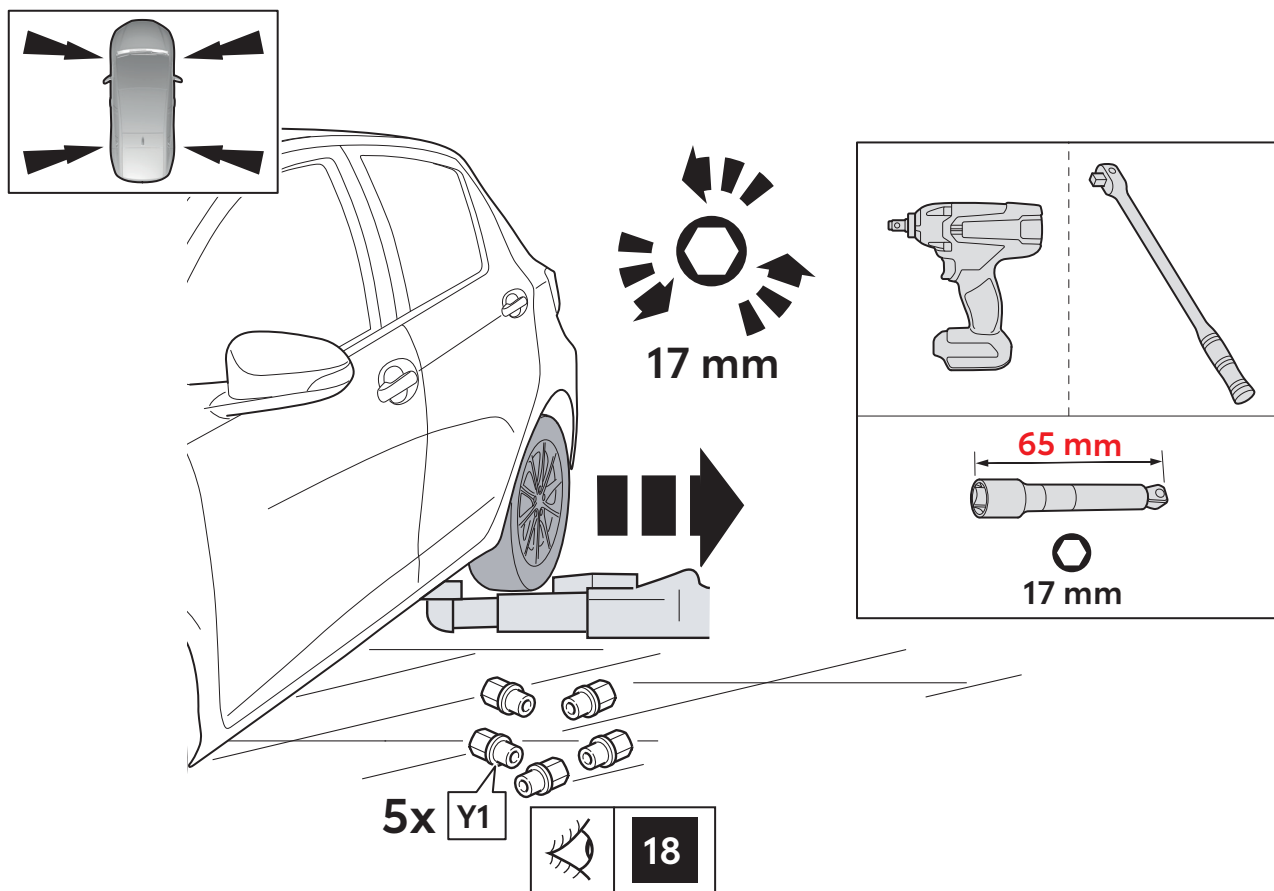
1



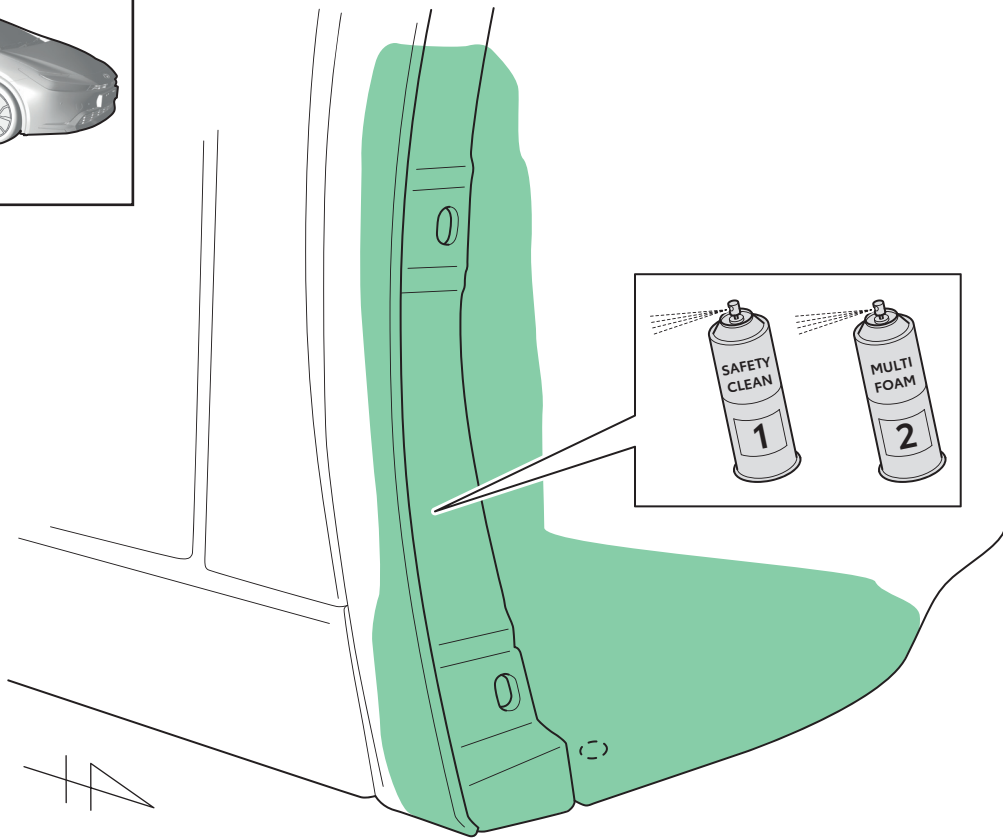
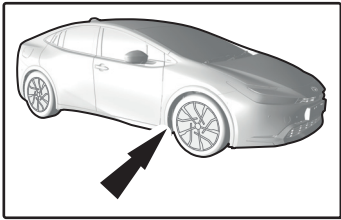
2



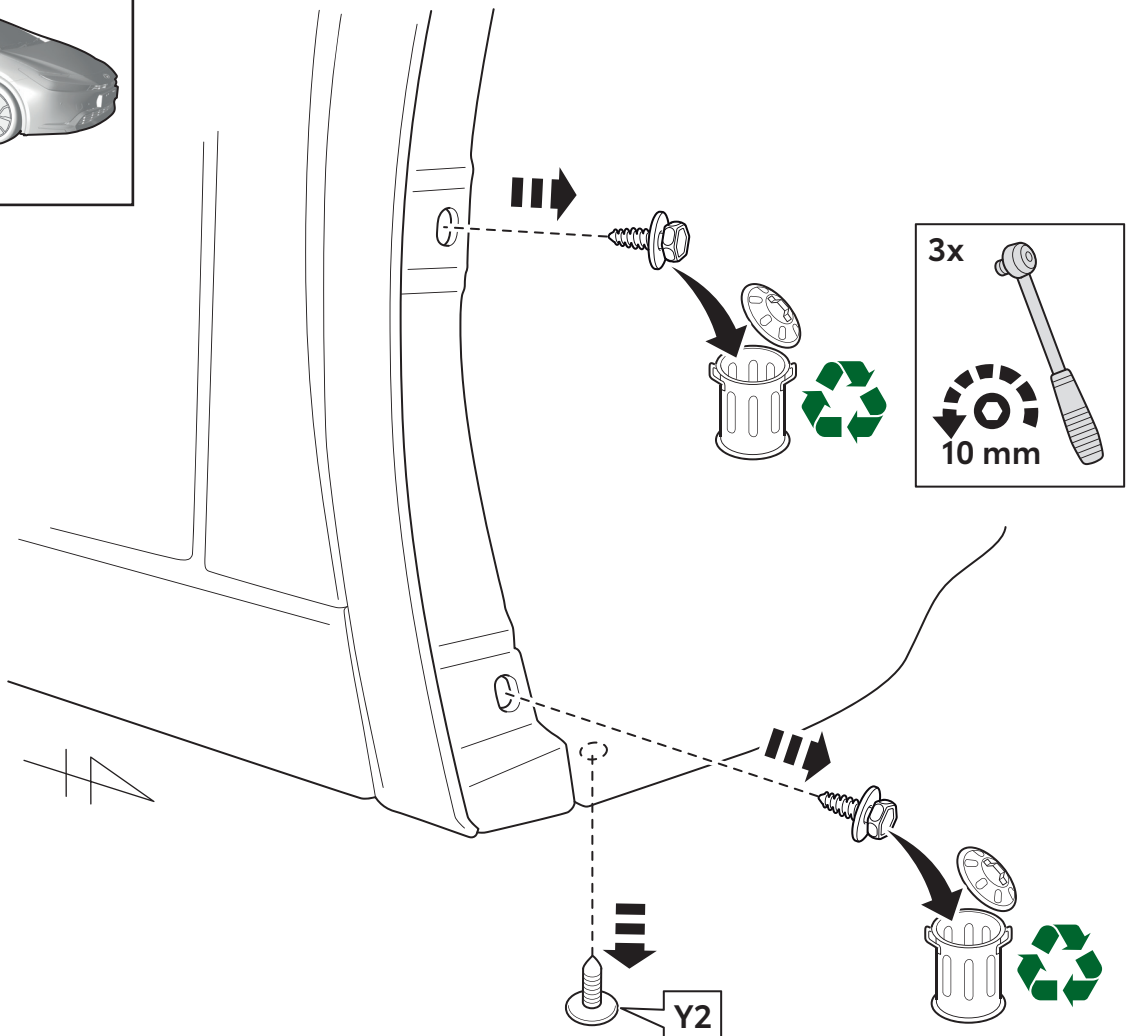
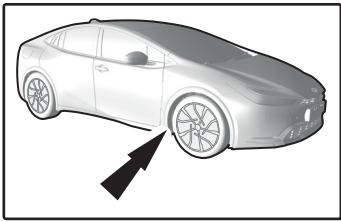
3



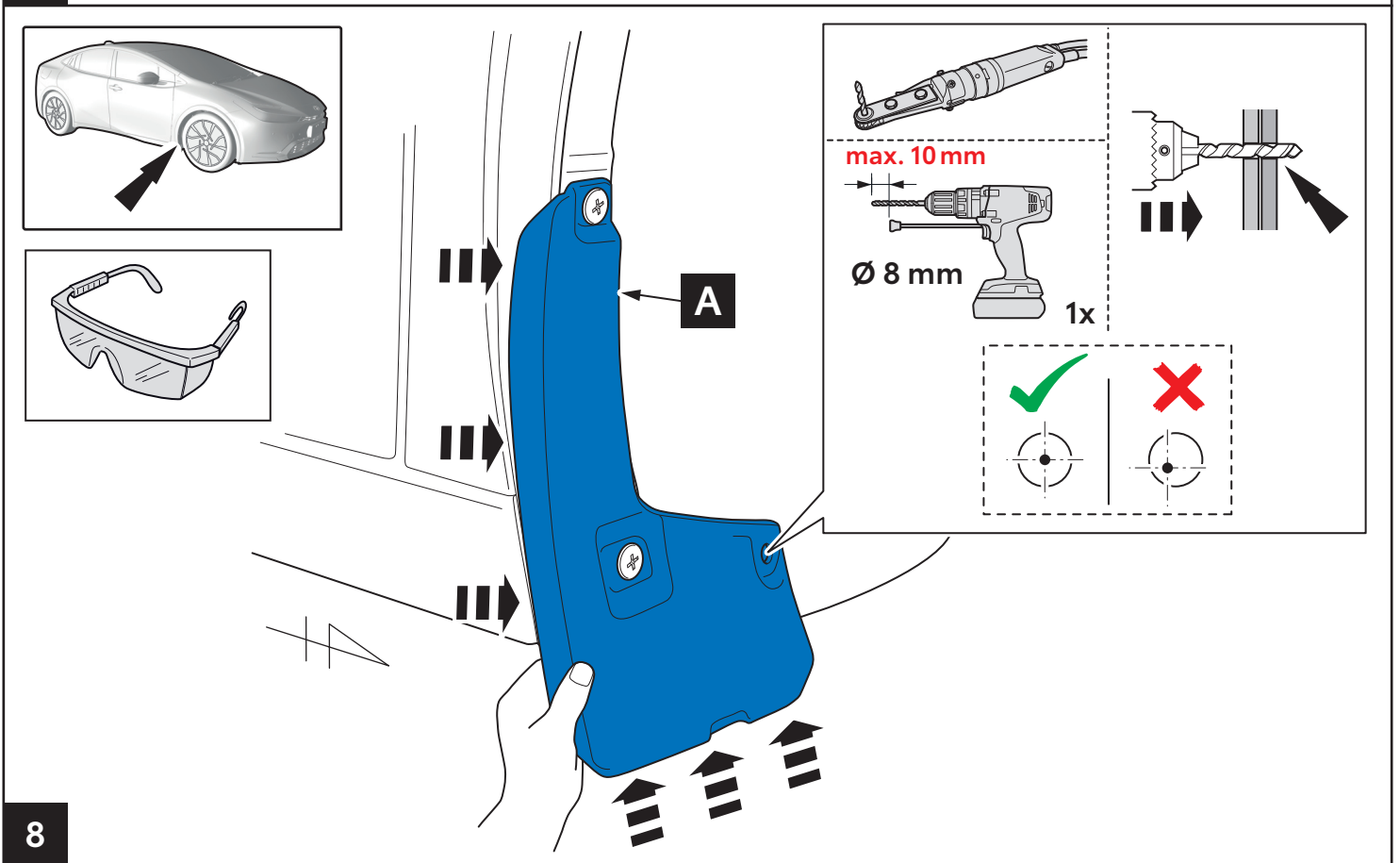
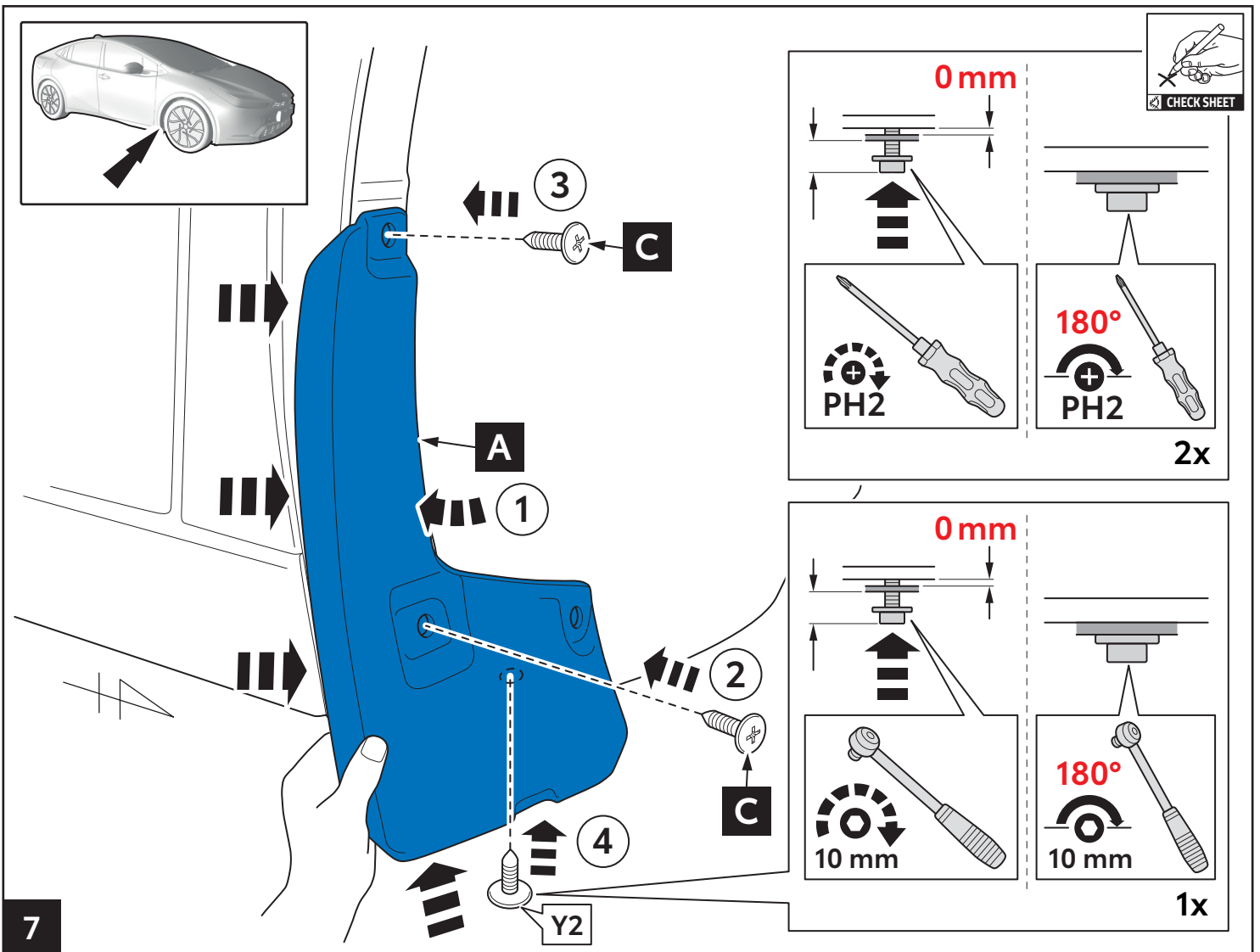
4

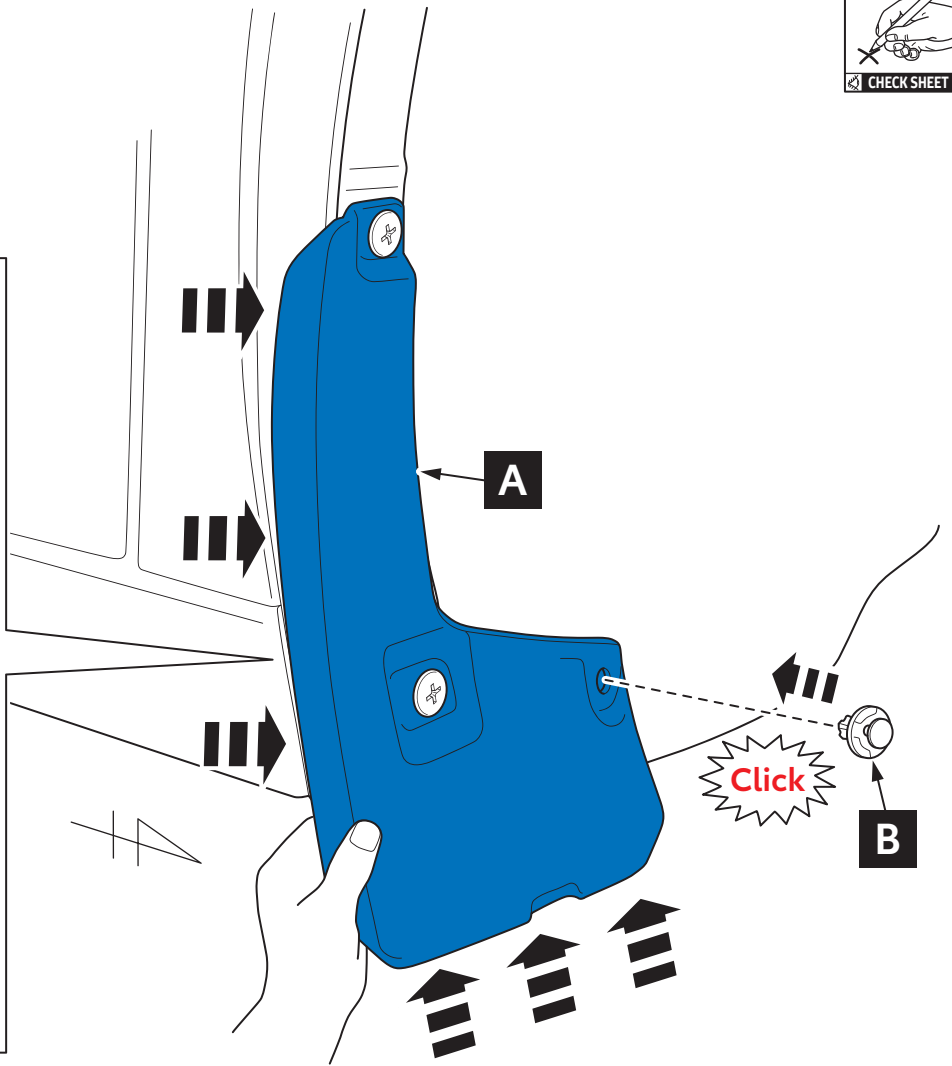
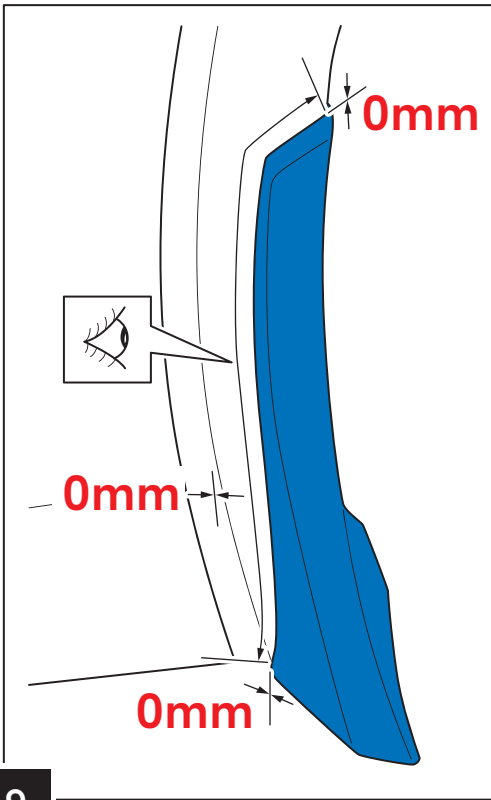
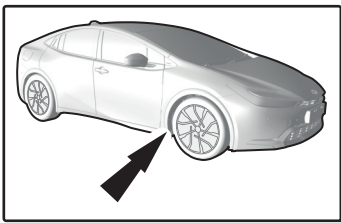


5

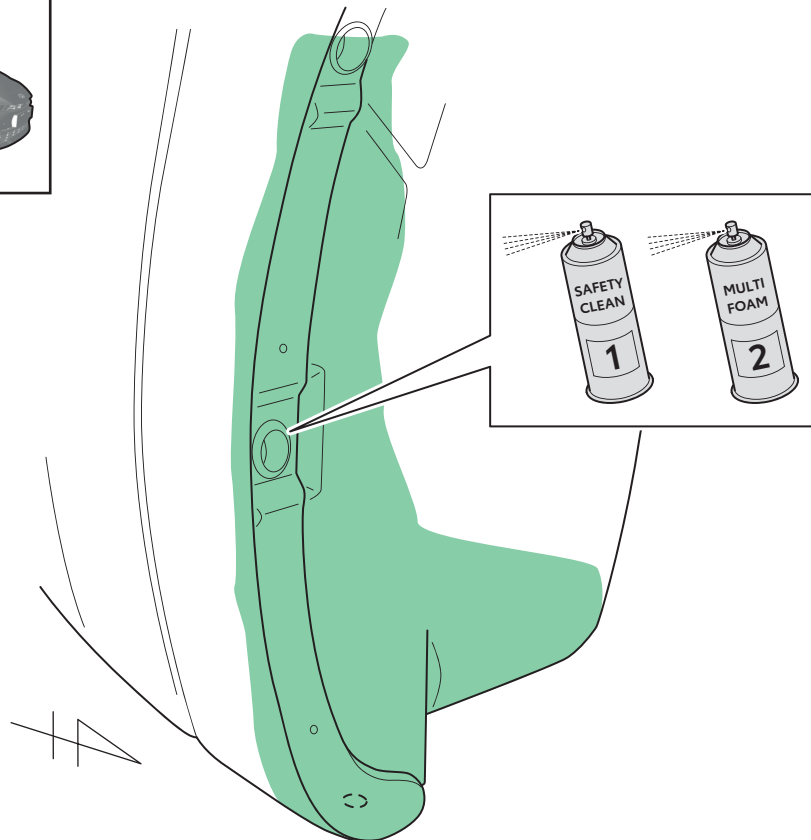
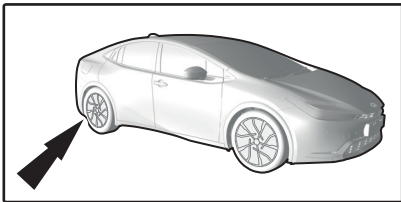


6

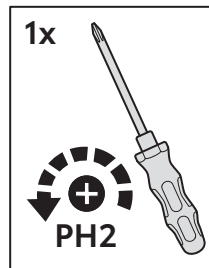
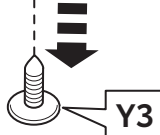
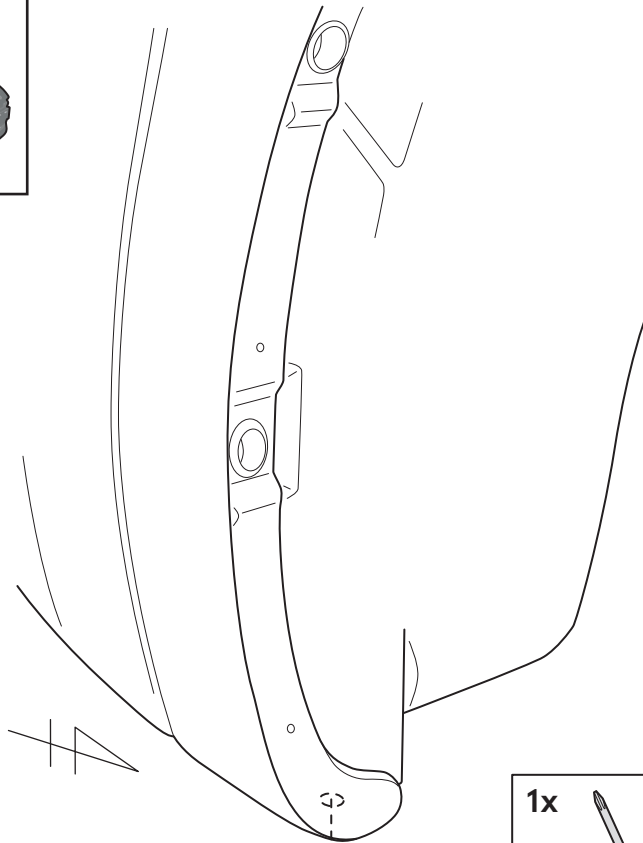
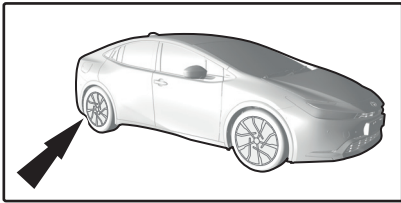




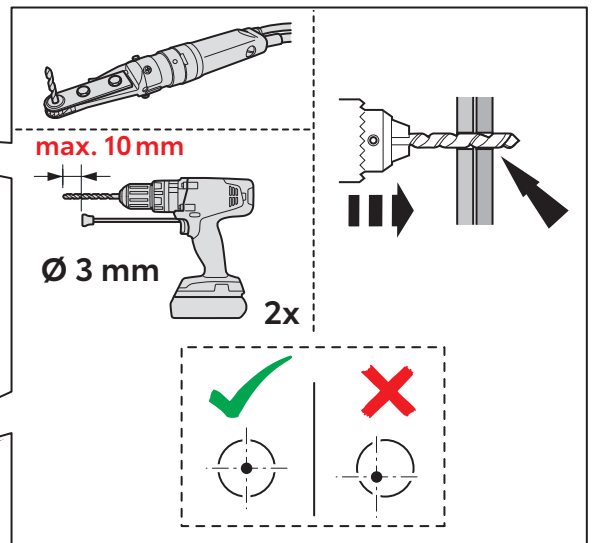
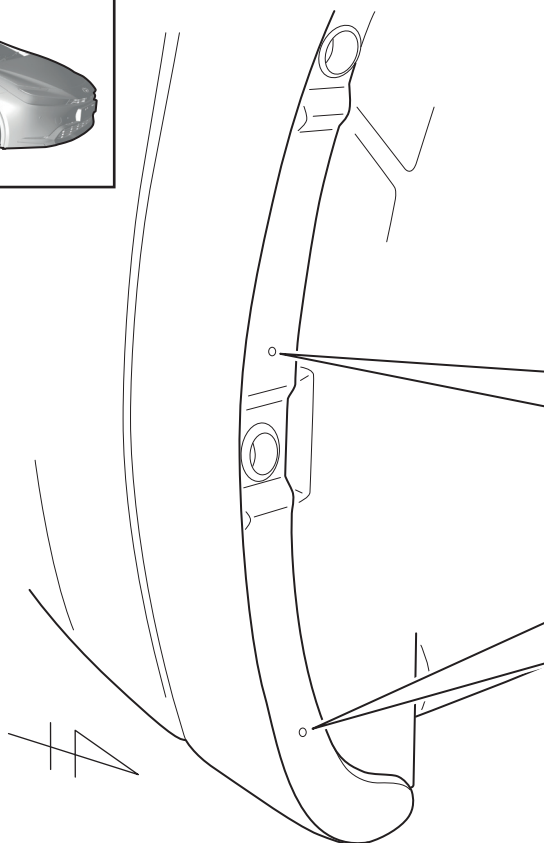
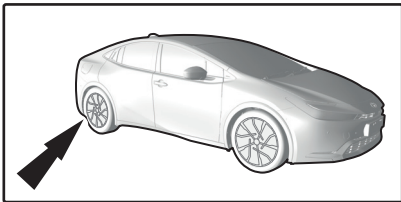
9



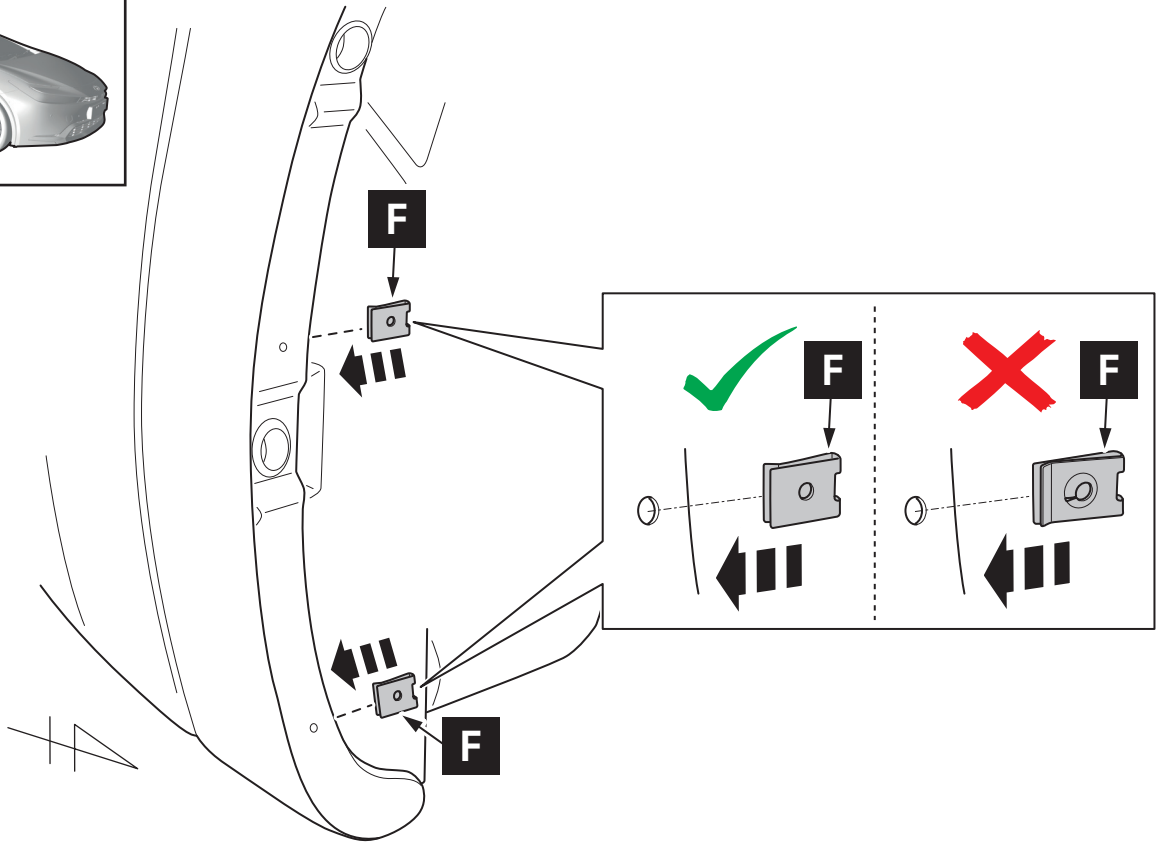
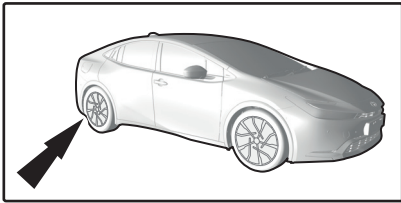
10



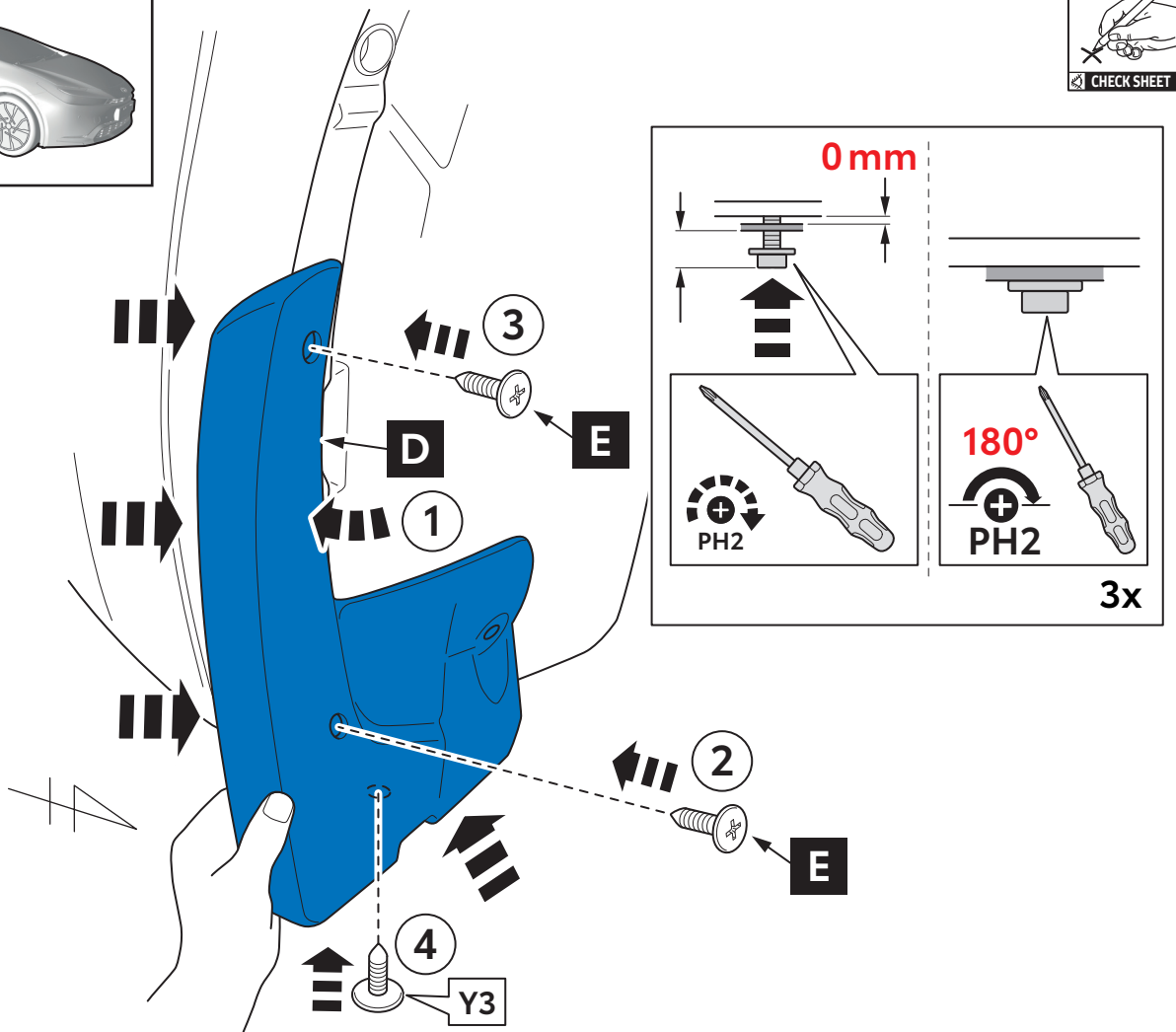
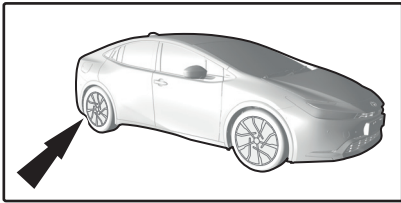
11



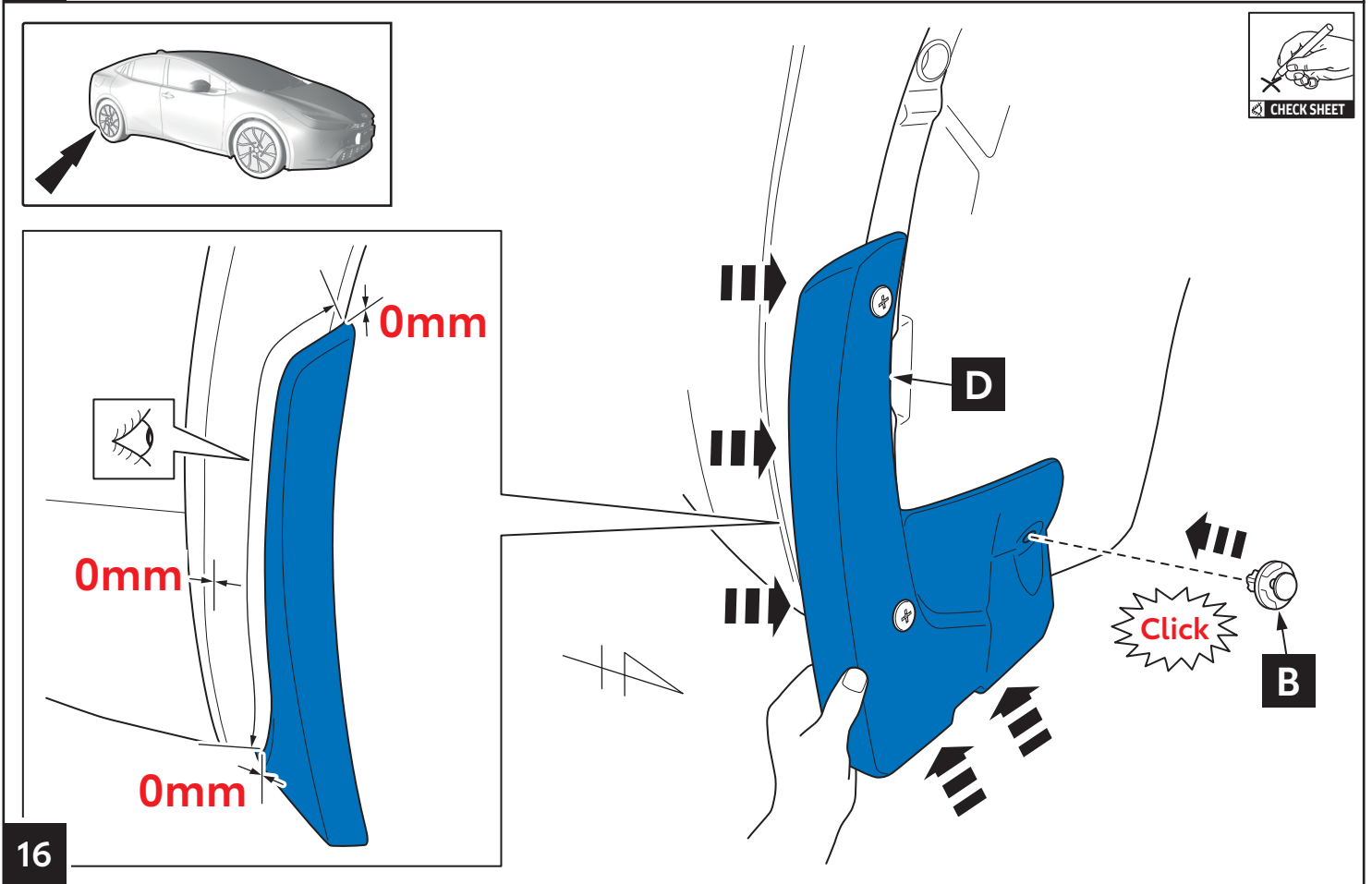
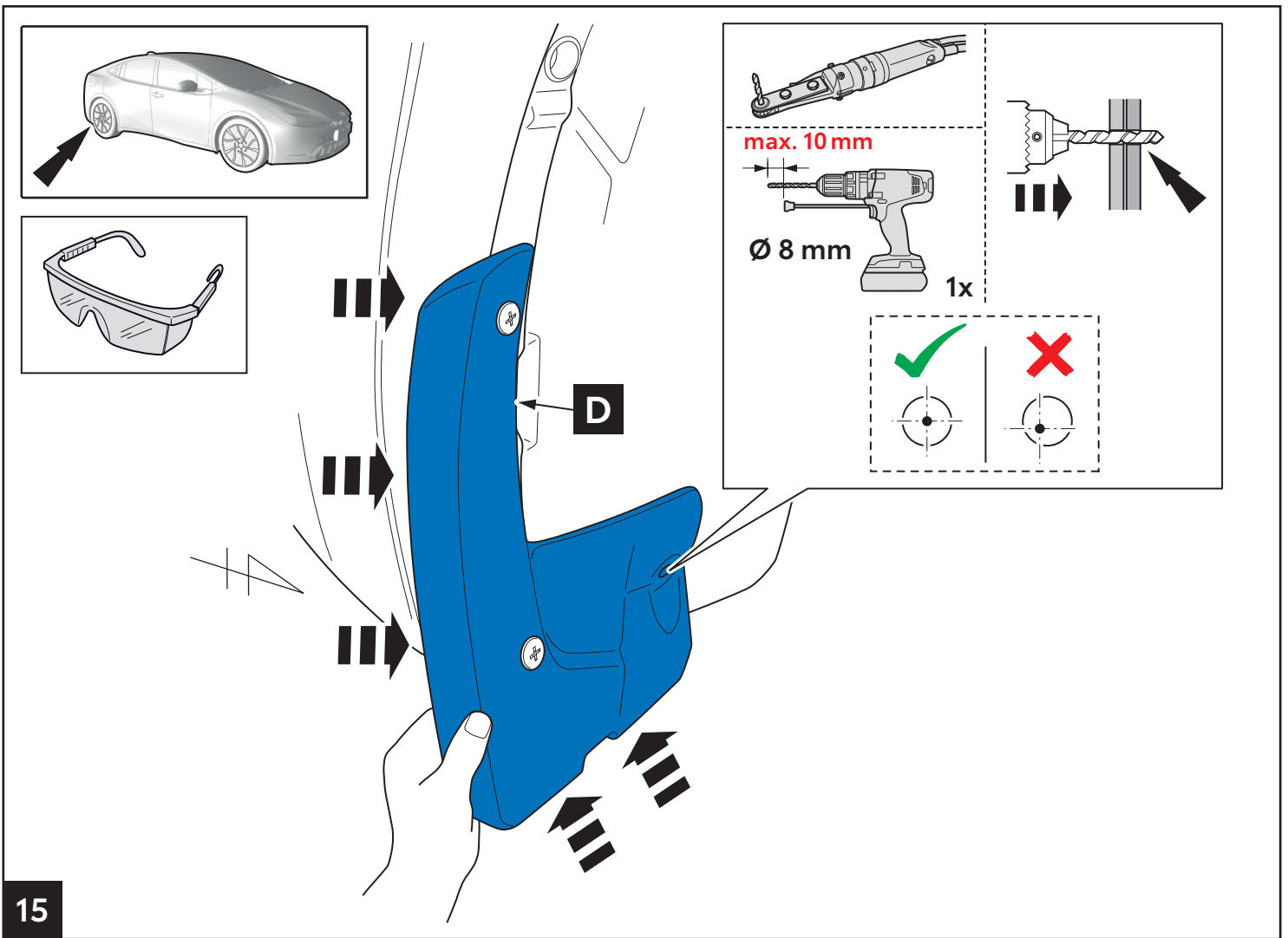
12

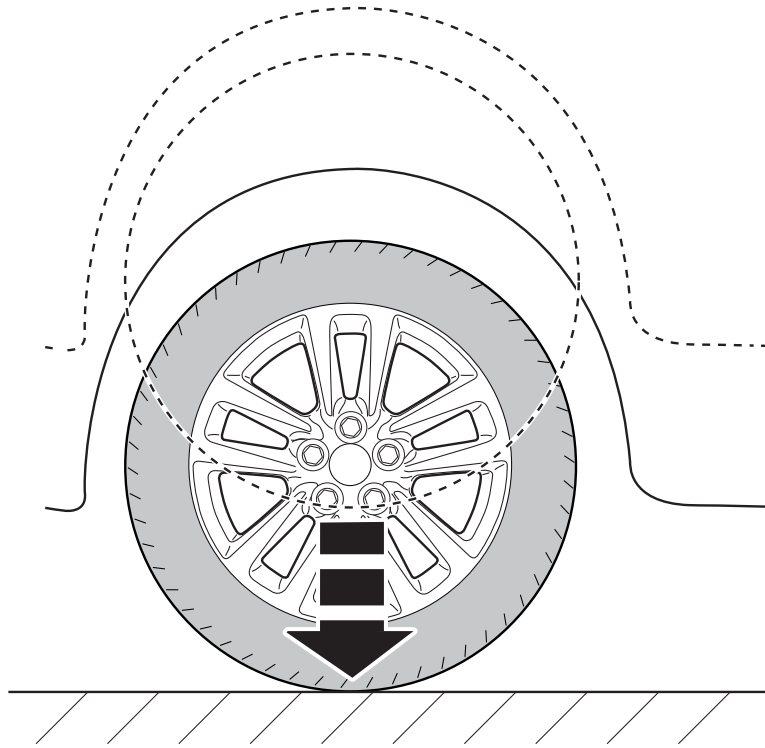


13

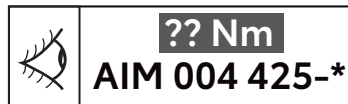
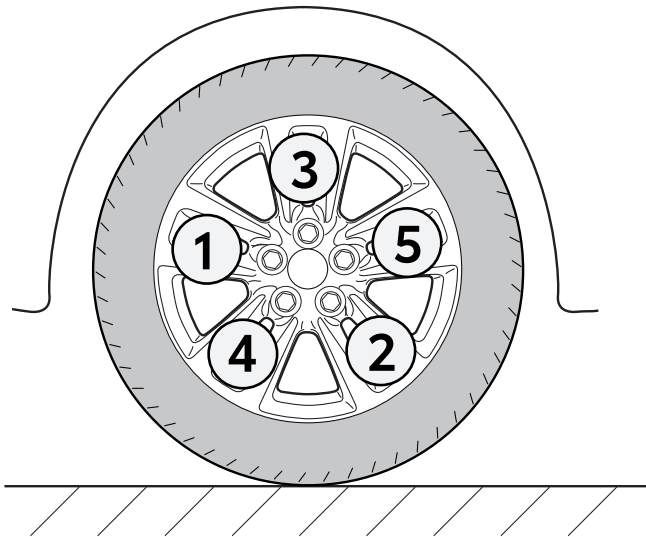
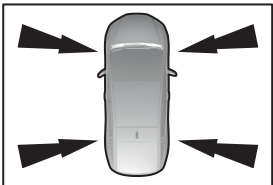


14

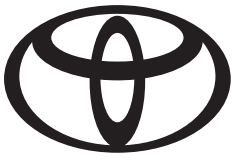




17



18



Model/Year **Prius Plug-In Hybrid**
as from 2023/03

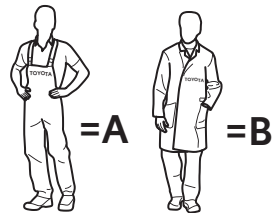
Mudflaps

VINn°

DURING INSTALLATION

1 = OK
 P/N = OK

2 **Click**
Serial Number



3

OIL

Click
 ?? Nm
AIM 004 425-*

1→2→3→...	A	B
LF	<input type="text"/>	<input type="text"/>
LR	<input type="text"/>	<input type="text"/>
RF	<input type="text"/>	<input type="text"/>
RR	<input type="text"/>	<input type="text"/>

4

1→2→3→...	A	B
LF	<input type="text"/>	<input type="text"/>
LR	<input type="text"/>	<input type="text"/>
RF	<input type="text"/>	<input type="text"/>
RR	<input type="text"/>	<input type="text"/>

AFTER INSTALLATION

LHS

RHS

1

LHS

RHS

2

AFTER INSTALLATION

RHS

LHS

X

✓

LHS

RHS

LHS

RHS

3

RHS

LHS

0mm

0mm

0mm

0mm

LHS

0mm

0mm

0mm

RHS

LHS

RHS

4

AFTER INSTALLATION

5

= OK

Installation Date:
 . . / . . /

Technician Name & Signature:

Stamp: