



TOYOTA

ALWAYS A
BETTER WAY

RAV4 RAV4 Plug-In Hybrid

Rear Lower Trunk Garnish

Installation Instructions

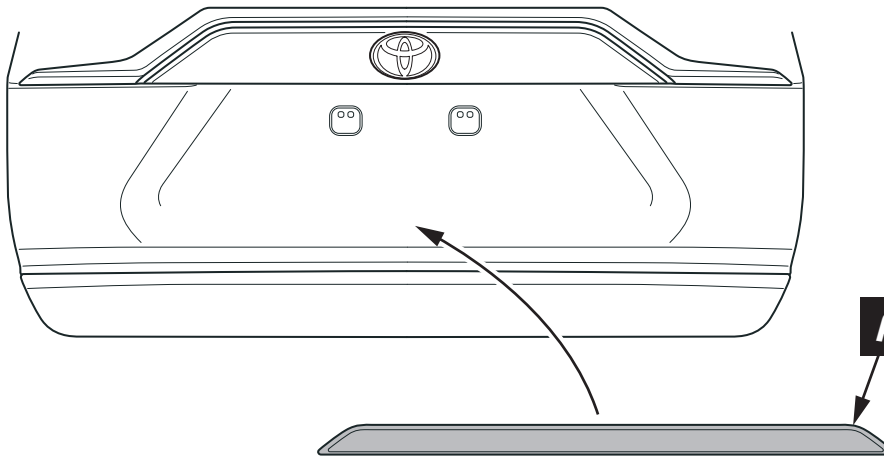
Model year:	as from 2018/11, as from 2020/06 (Plug-In Hybrid)
Vehicle code:	*XA*5**-AN**BW
Part number:	PW405-42000-**

Manual reference number: AIM 004 223-1

Revision record

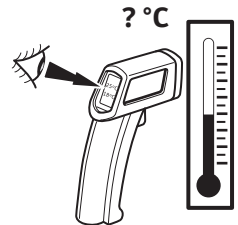
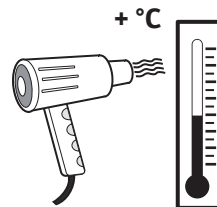
Rev. No.	Date	Page	Step	Remarks
1	04.02.2020	1, 4, 11, 13	1	Model year added, Cleaner step added

PW405-42000-**

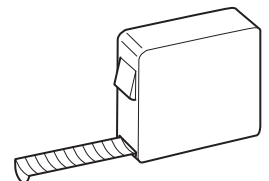
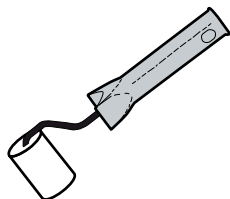


PW405-42000-**

1x



AIM 003-516-*



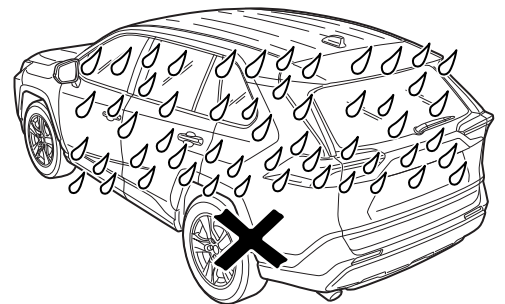
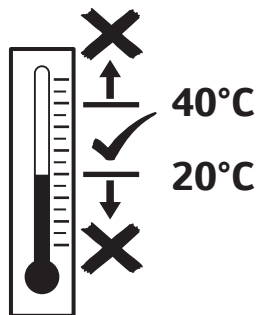
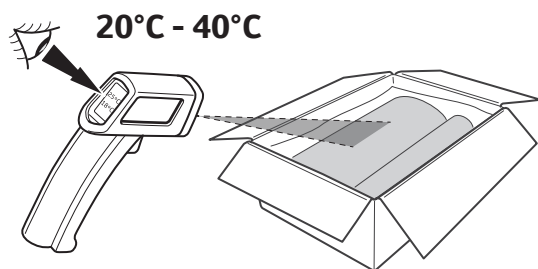
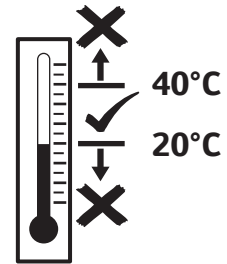
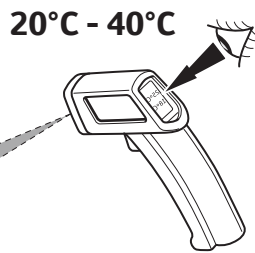
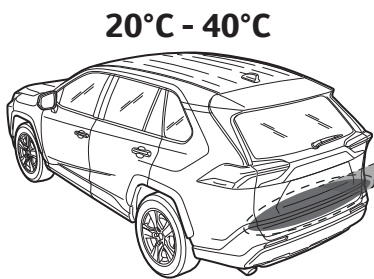
INFO

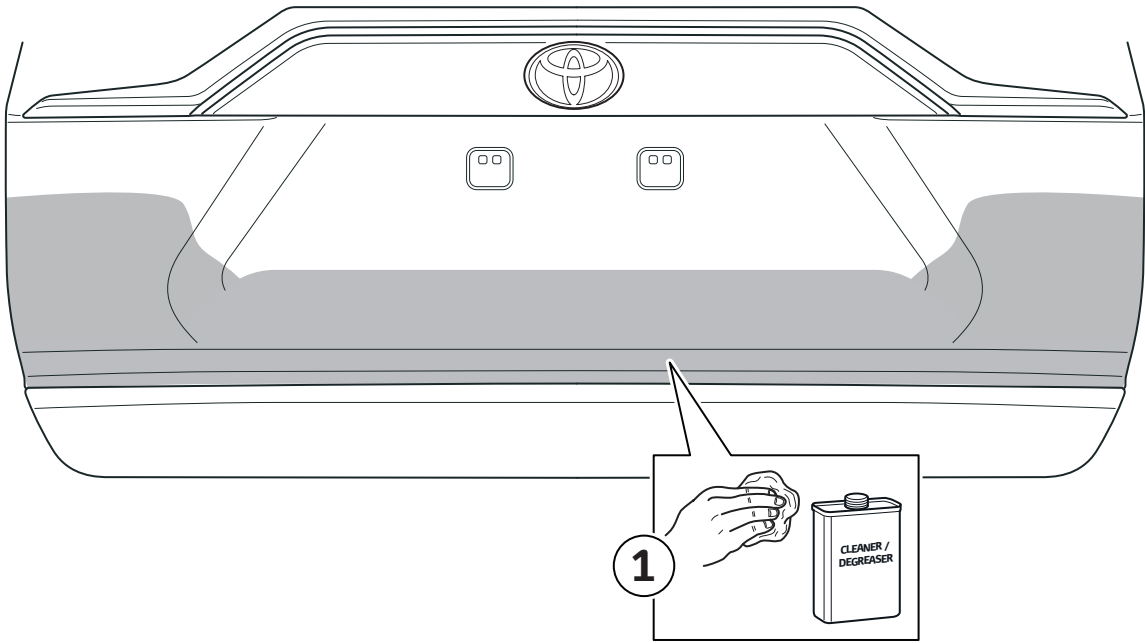



Material **S**afety **D**ata **S**heet

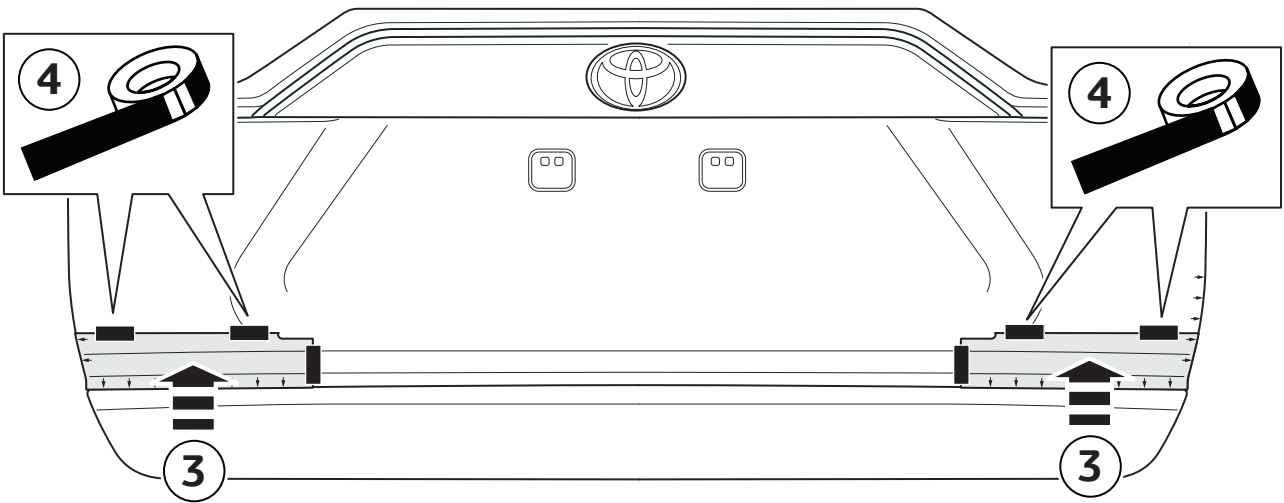
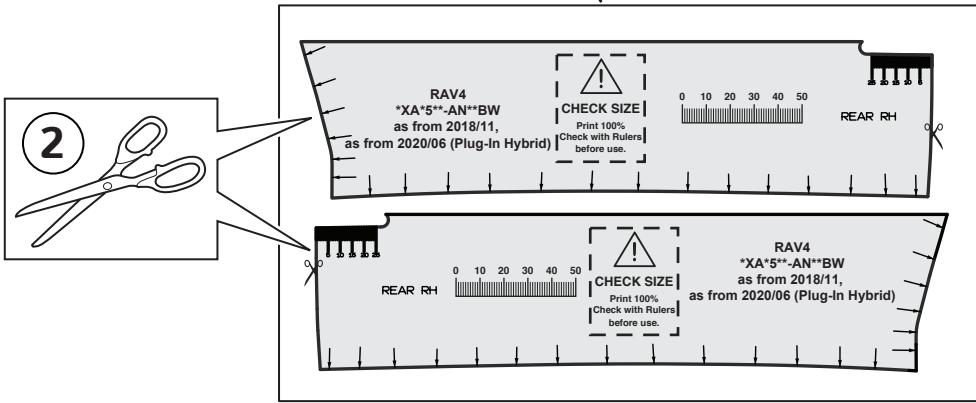


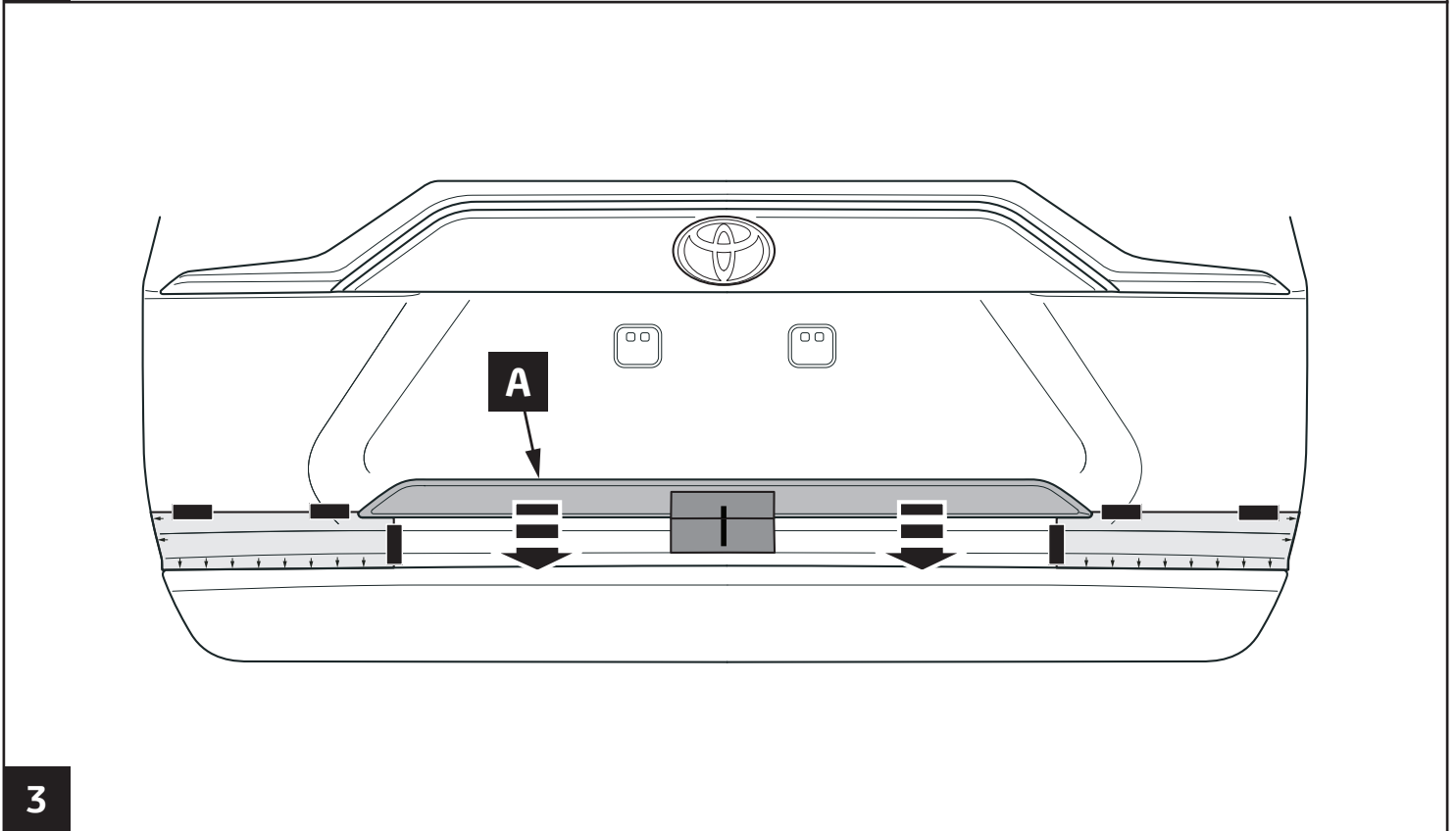
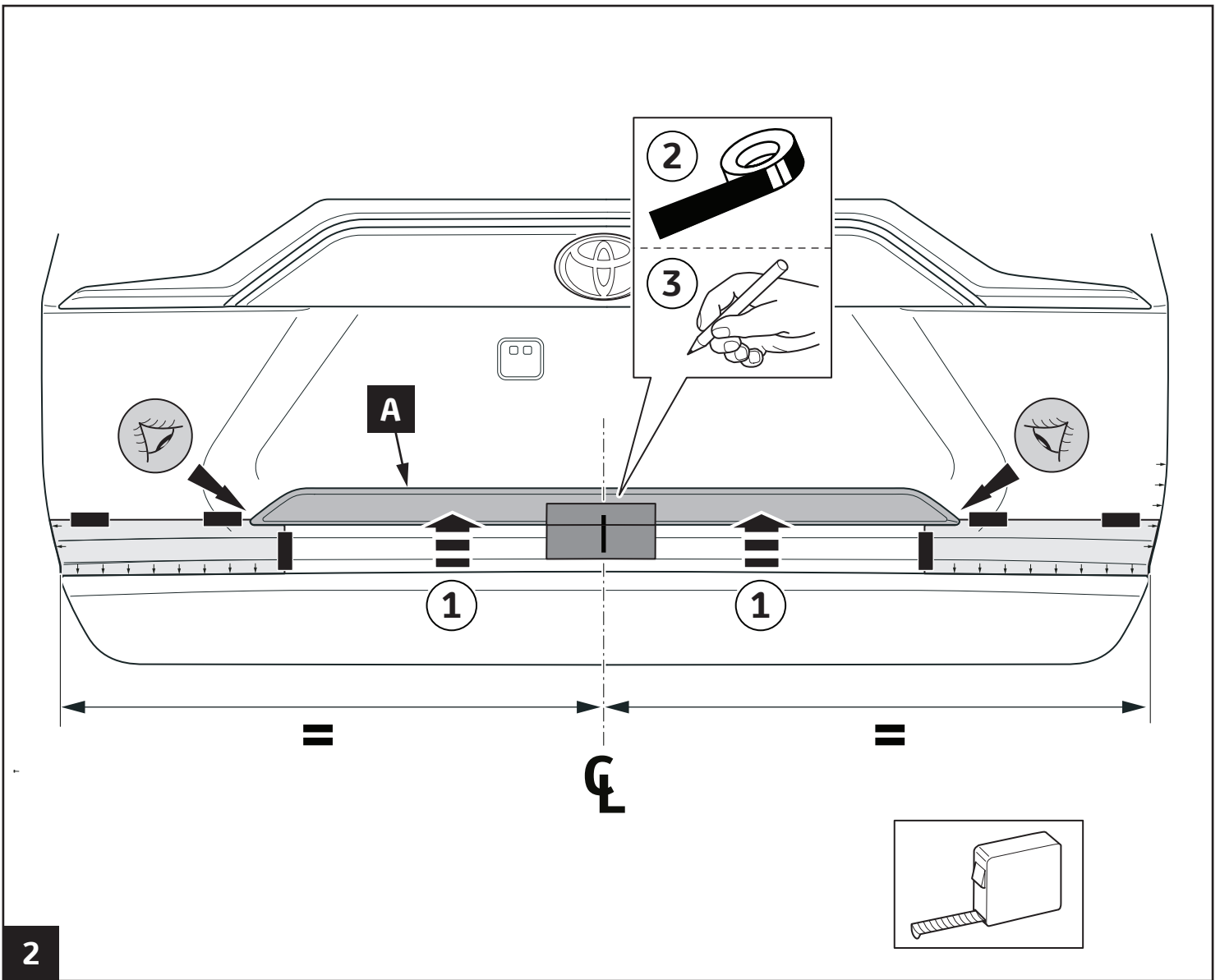
Technical **D**ata **S**heet

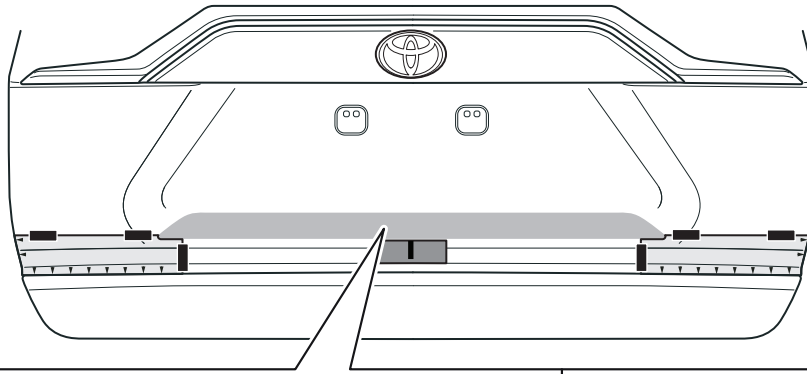




 **11 of 13**

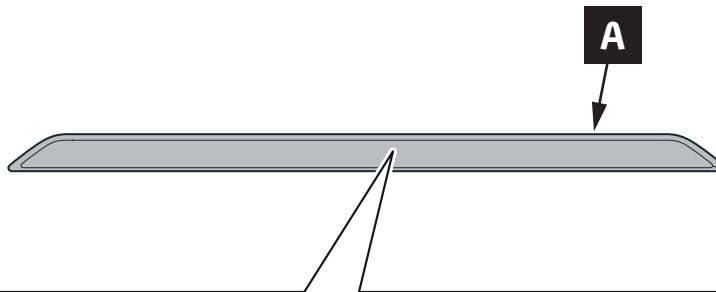






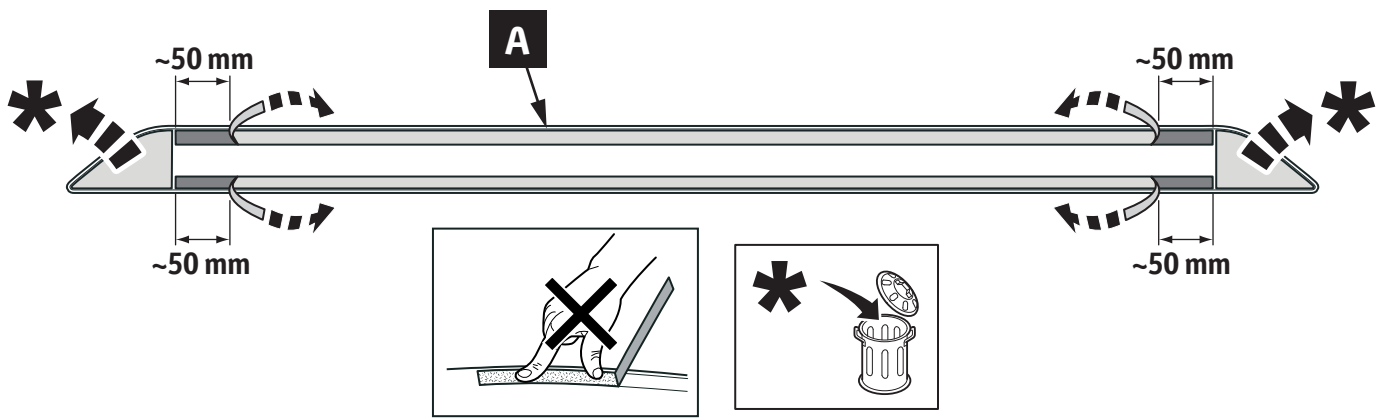
<p>①</p>	<p>< 20°C → ②</p> <p>20°C - 40°C → 5</p>	<p>②</p>
<p>③</p>	<p>20°C - 40°C → 5</p>	<p>INFO</p> <p>4 → 9</p>

4

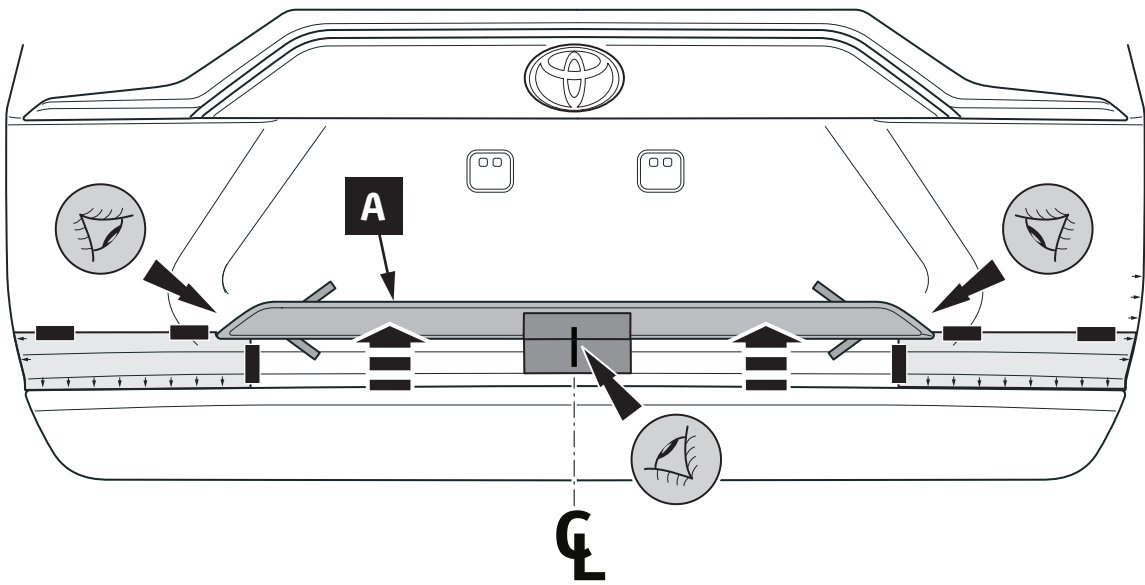


<p>①</p>	<p>< 20°C → ②</p> <p>20°C - 40°C → 6</p>	<p>②</p>
<p>③</p>	<p>20°C - 40°C → 6</p>	<p>INFO</p> <p>5 → 9</p>

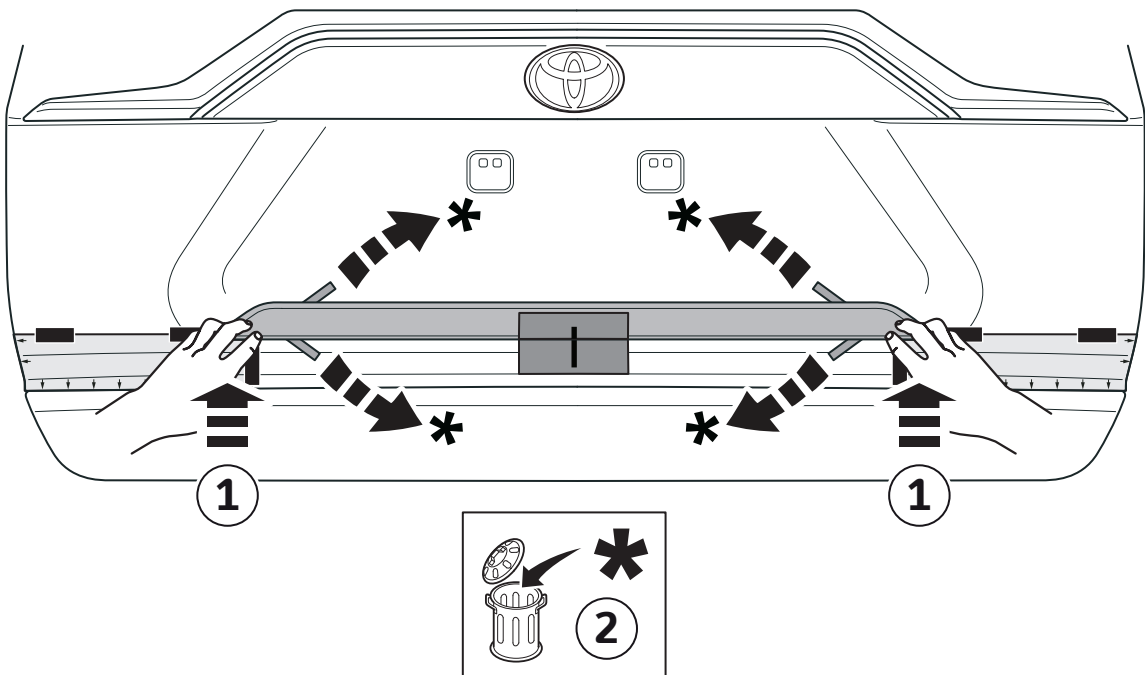
5



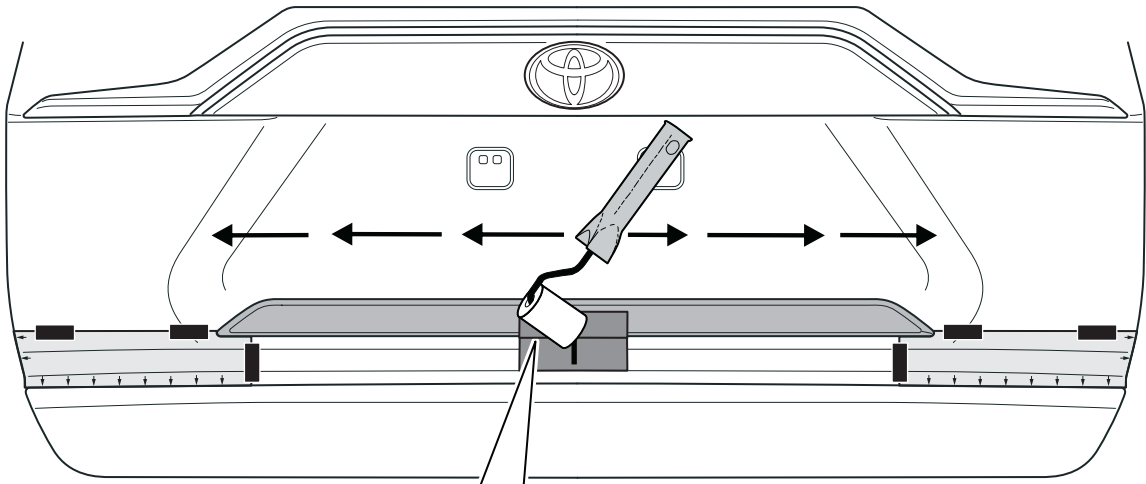
6



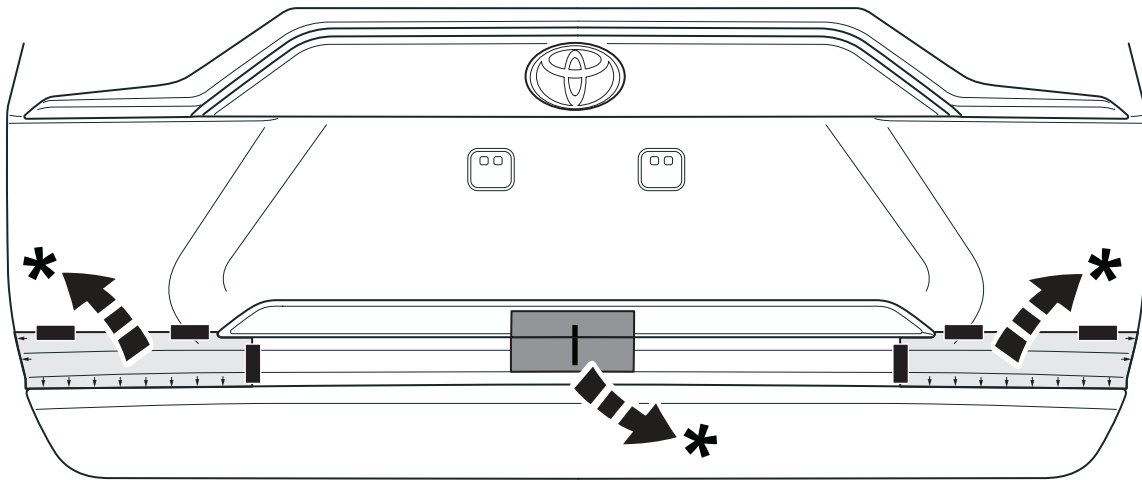
7



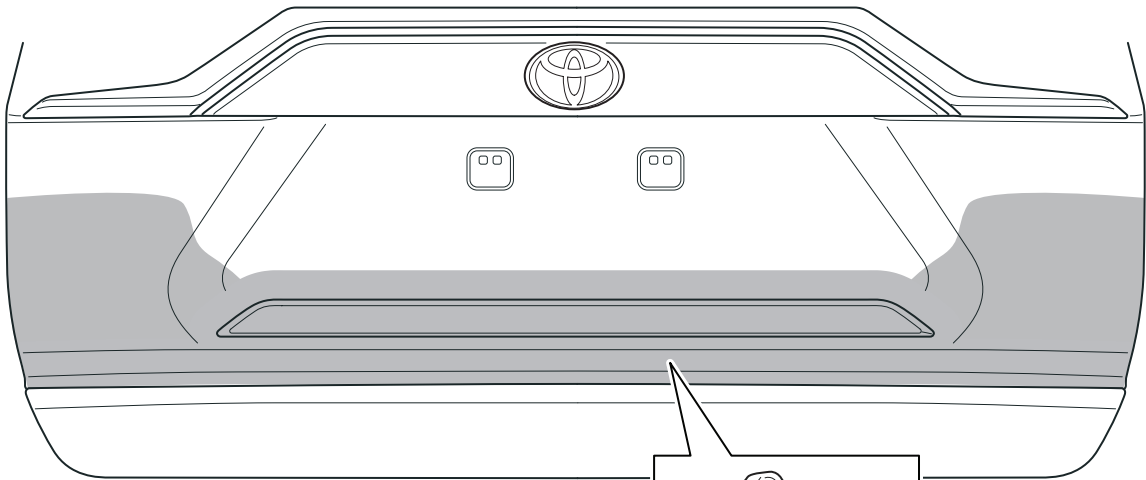
8



9

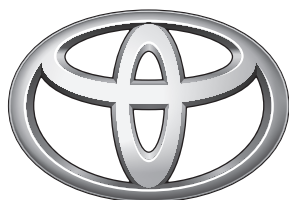
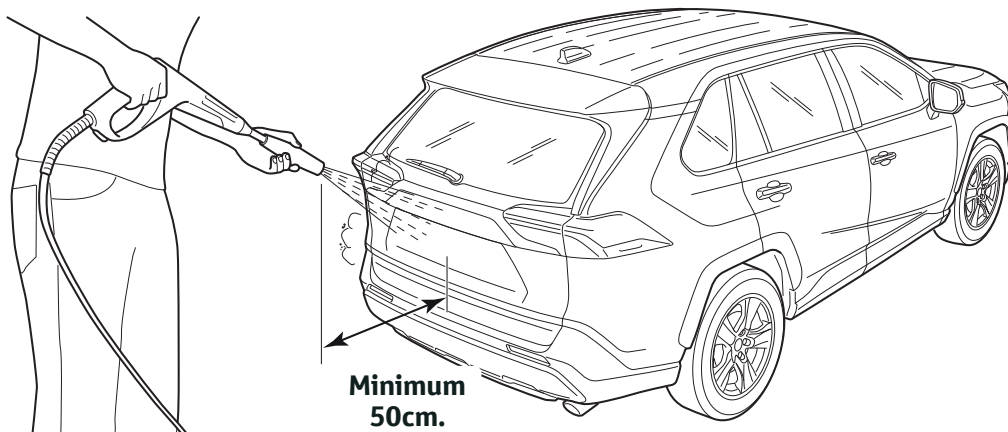
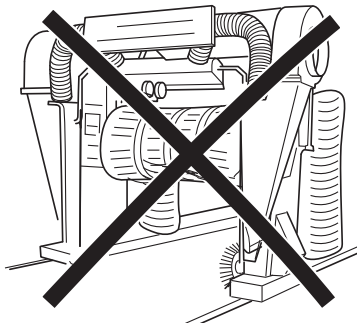
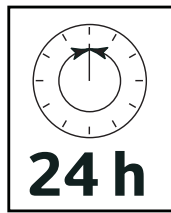
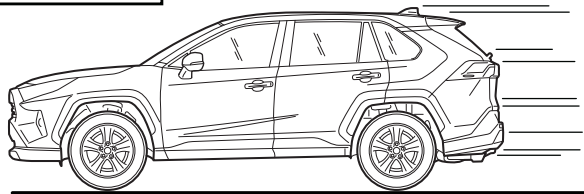


10

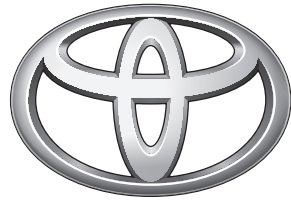


11

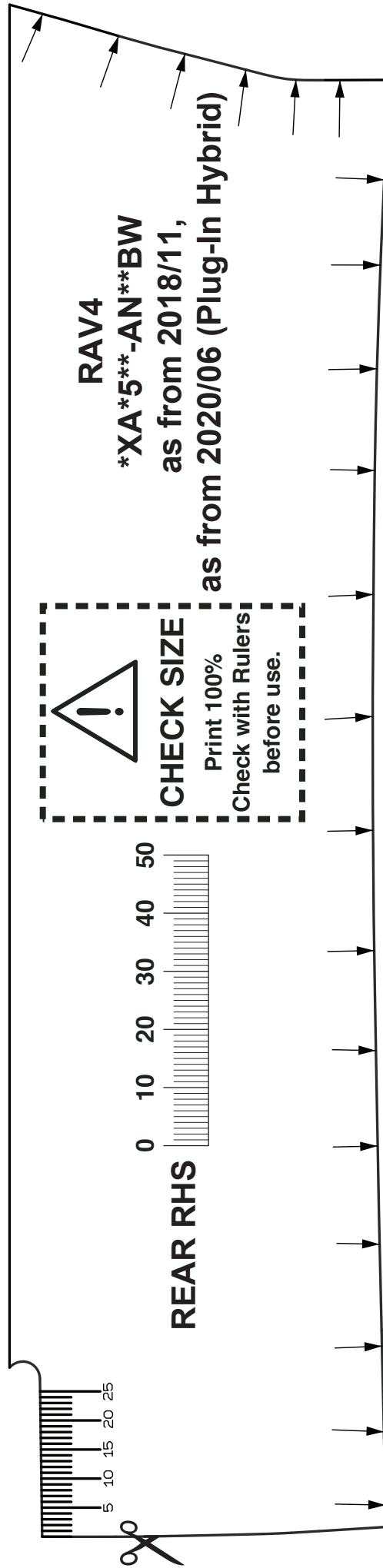
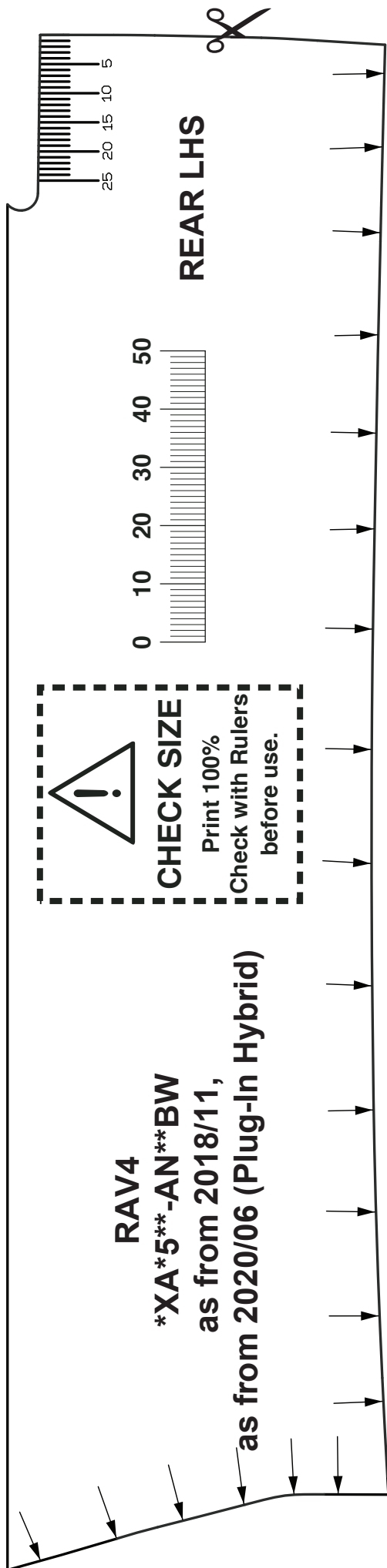
INFO

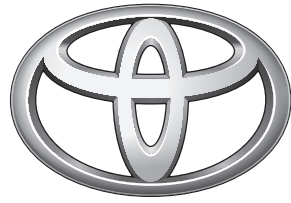


TOYOTA



TOYOTA





TOYOTA



TOYOTA

CHECK SHEET

RAV4

Rear Lower
Trunk Garnish

Model / Year as from 2018/11,
as from 2020/06 (Plug-In Hybrid)

VIN n°

ALWAYS A
BETTER WAY

BEFORE INSTALLATION

1

P/N = OK

AFTER INSTALLATION

1

2

3

4

= OK

Installation Date:

... / ... / ...

Technician Name & Signature:

Stamp:

