



**TOYOTA**

ALWAYS A  
**BETTER WAY**

# Corolla (Sedan)

## Aluminium scuff plates

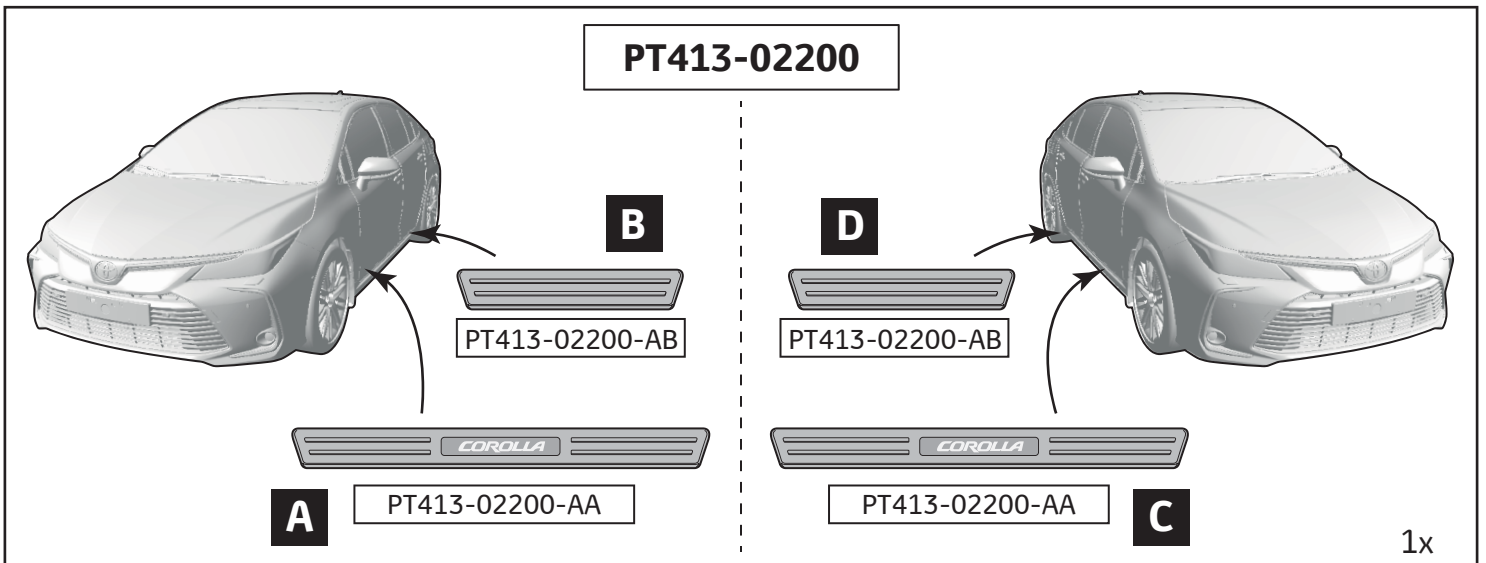
Installation Instructions

Model year: 2019/01  
Vehicle code: Z\*E21\*\*-DE\*\*\*W  
Part number: PT413-02200

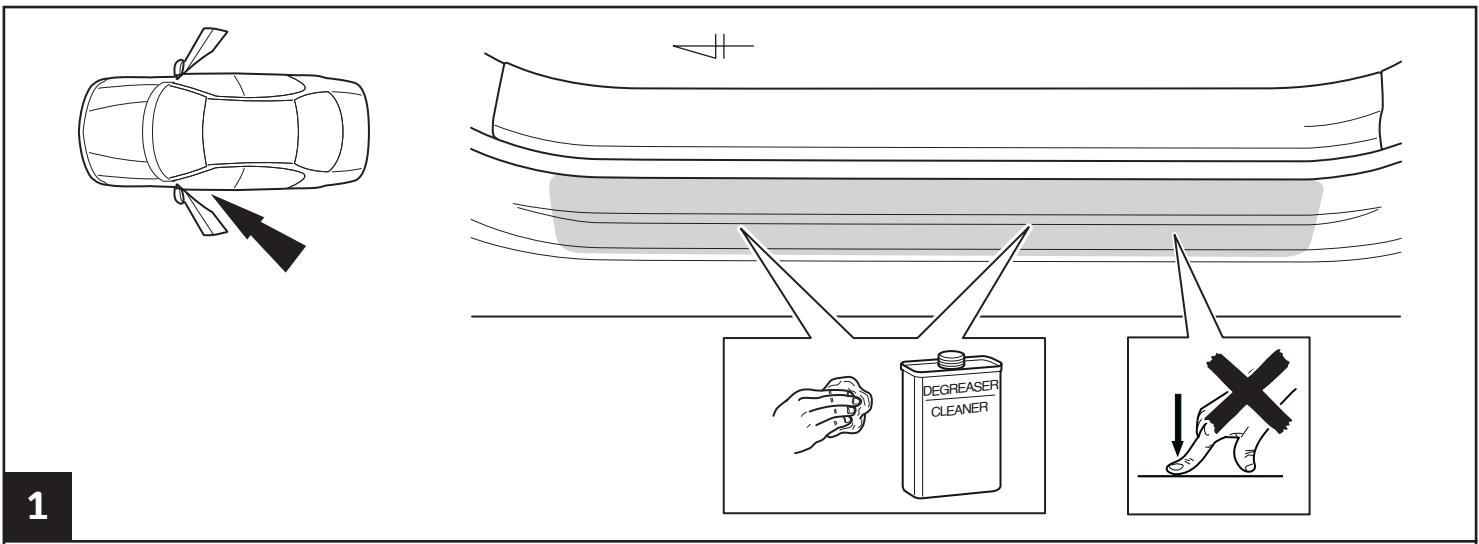
Manual reference number: AIM 004 343-0

# Revision record

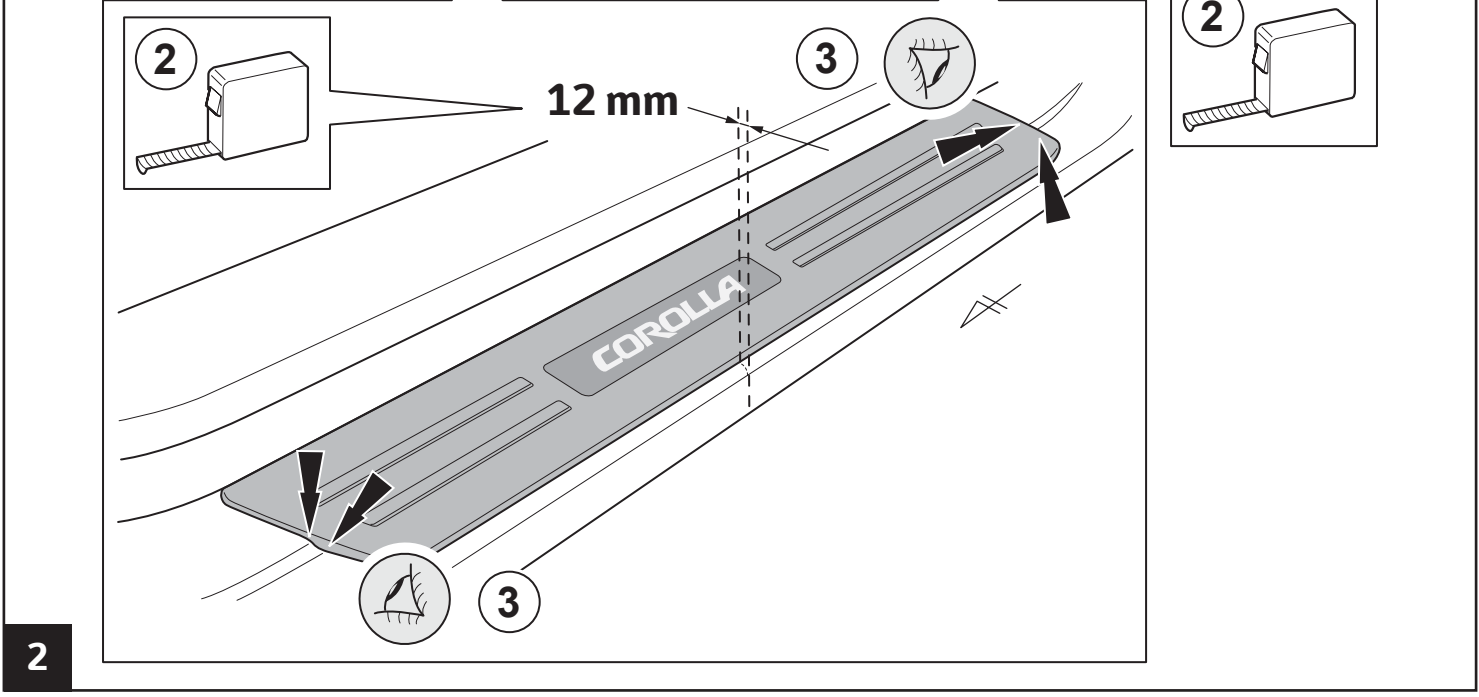
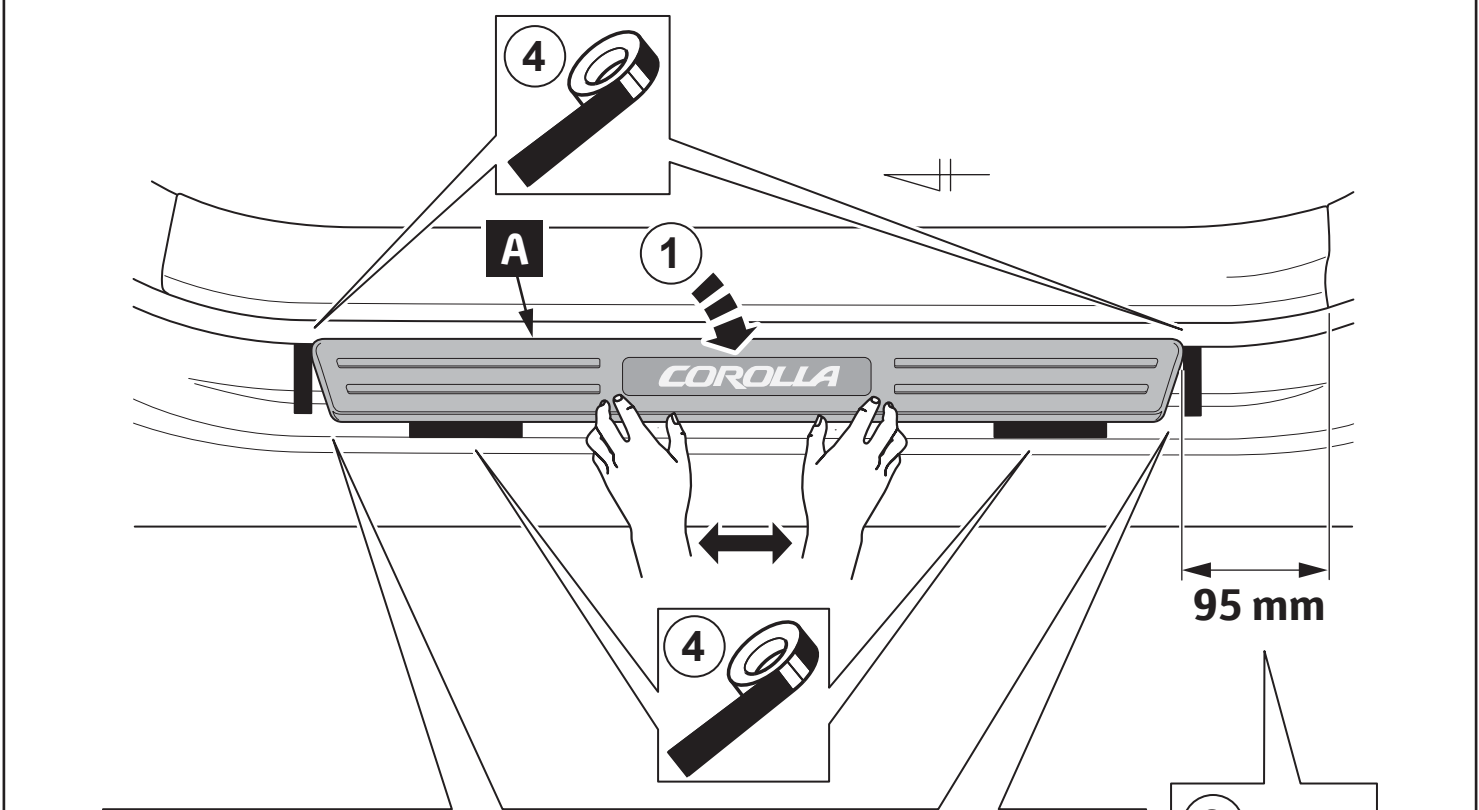
Rev. No.	Date	Page	Picture	Update	New	Deleted steps



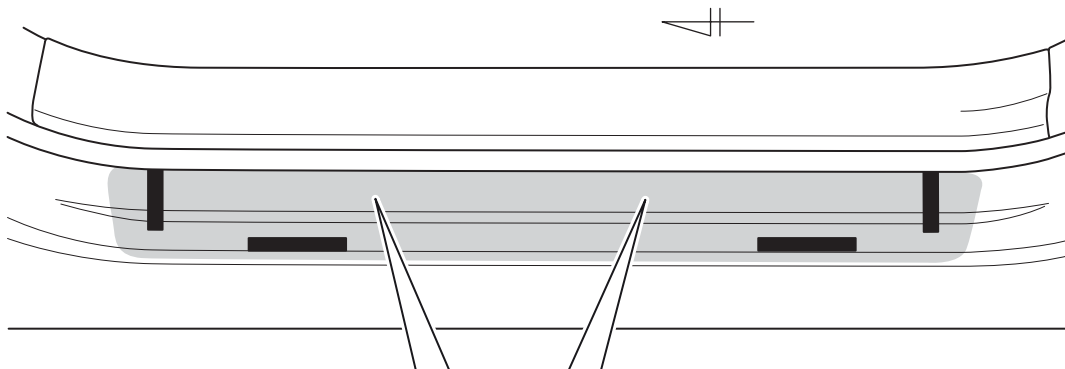
INFO	Temperature Guidelines	
<p><b>Material Safety Data Sheet</b></p> <p><b>Technical Data Sheet</b></p>	<p>20°C - 40°C</p>	
	<p>20°C - 40°C</p>	<p><b>X</b></p>

1

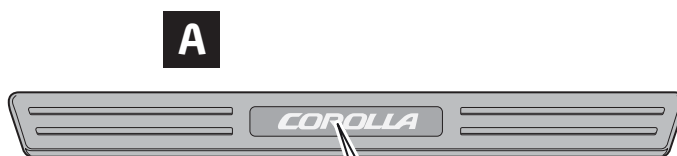


2



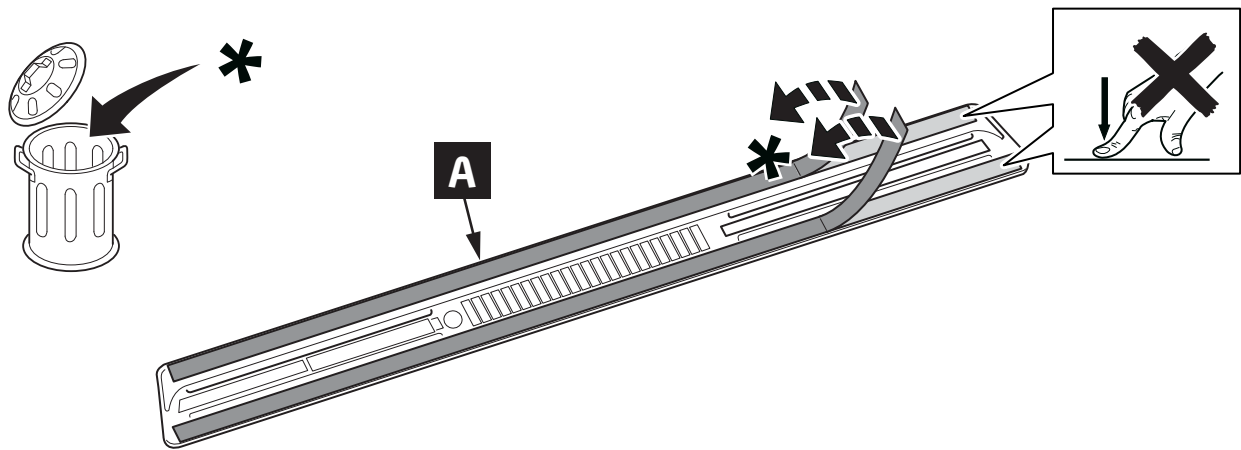
<p>1</p>	<p>&lt; 20°C → 2</p> <p>20°C - 40°C → 4</p>	<p>2</p>
<p>3</p>	<p>20°C - 40°C → 4</p>	<p><b>INFO</b></p>

3

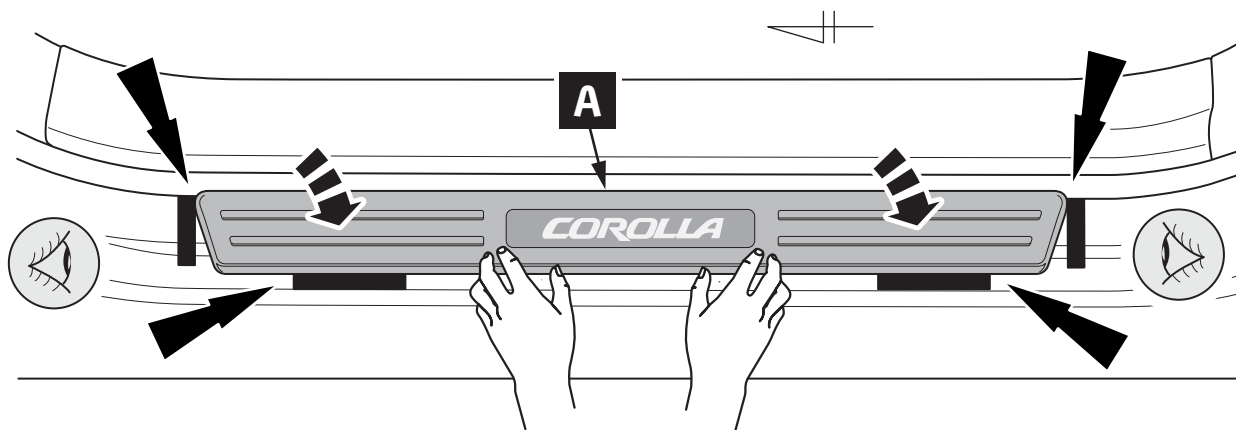


<p>1</p>	<p>&lt; 20°C → 2</p> <p>20°C - 40°C → 5</p>	<p>2</p>
<p>3</p>	<p>20°C - 40°C → 5</p>	<p><b>INFO</b></p>

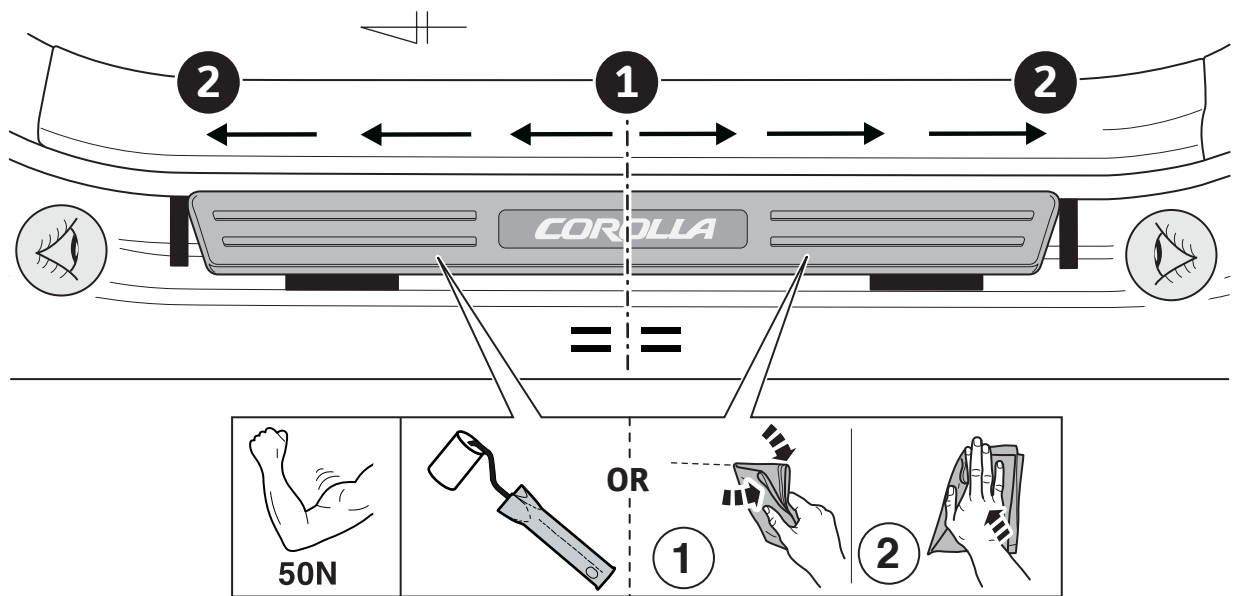
4



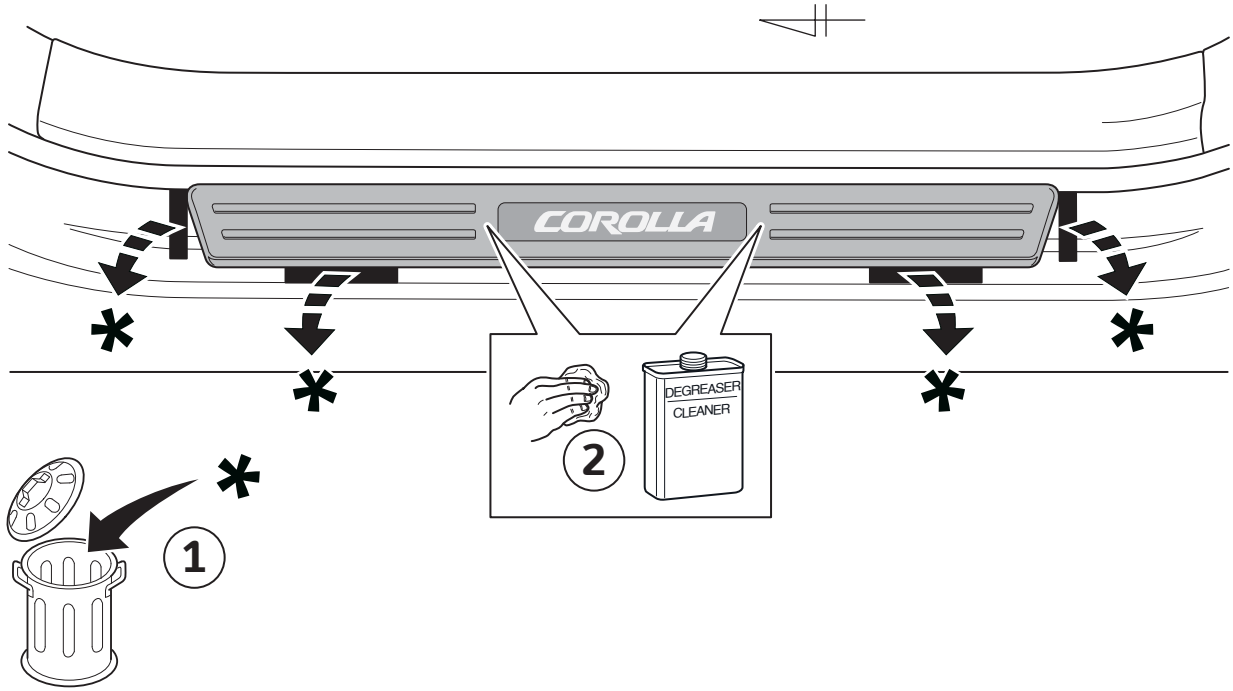
5



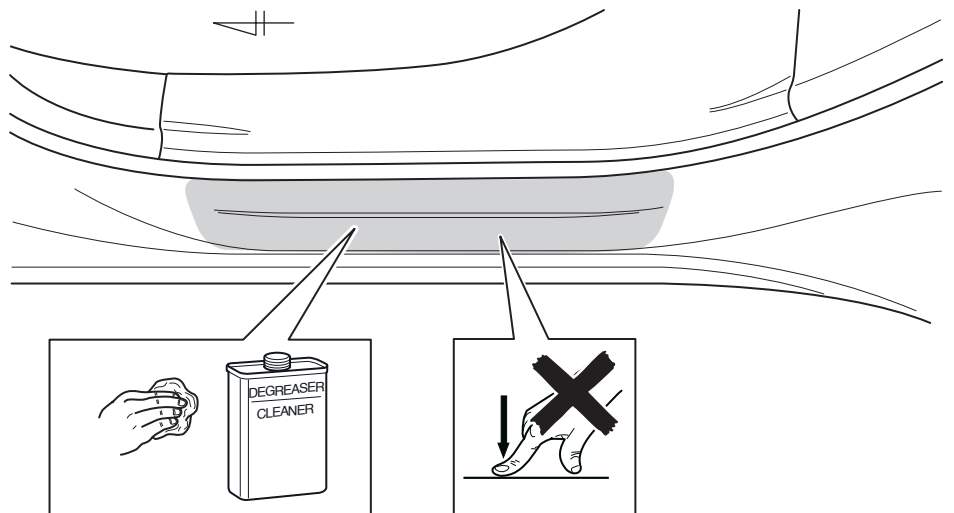
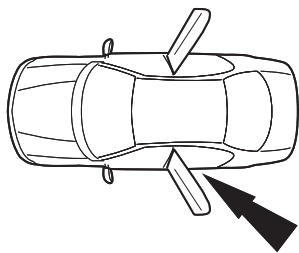
6



7

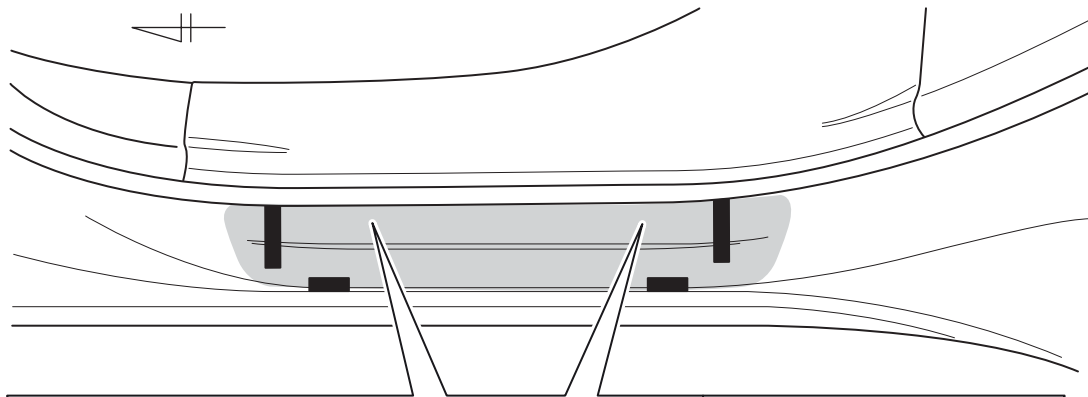


8



9





<p>1</p>	<p><math>&lt; 20^{\circ}\text{C}</math> → 2</p> <p><math>20^{\circ}\text{C} - 40^{\circ}\text{C}</math> → 12</p>	<p>2</p>
<p>3</p>	<p><math>20^{\circ}\text{C} - 40^{\circ}\text{C}</math> → 12</p>	<p><b>INFO</b></p>

11

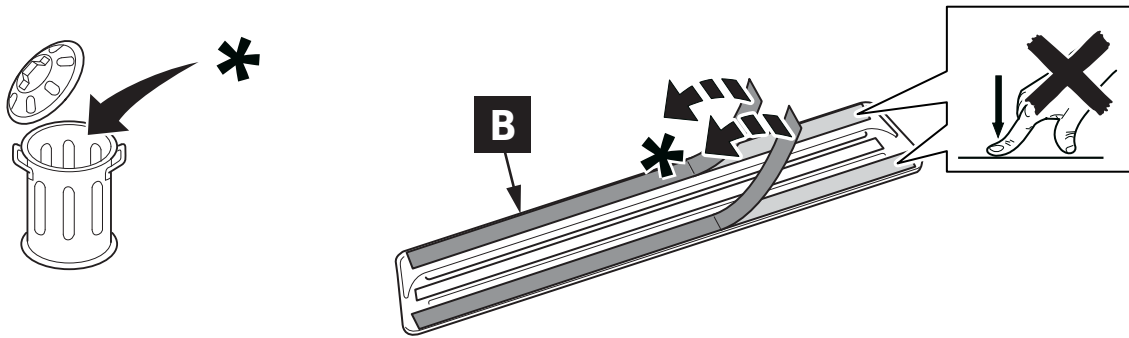
**B**



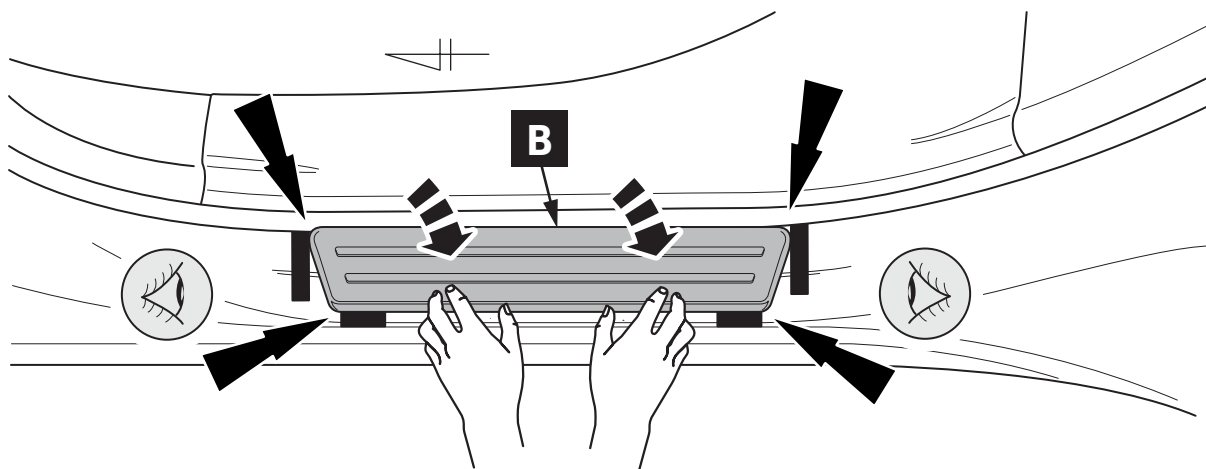
<p>1</p>	<p><math>&lt; 20^{\circ}\text{C}</math> → 2</p> <p><math>20^{\circ}\text{C} - 40^{\circ}\text{C}</math> → 13</p>	<p>2</p>
<p>3</p>	<p><math>20^{\circ}\text{C} - 40^{\circ}\text{C}</math> → 13</p>	<p><b>INFO</b></p>

12

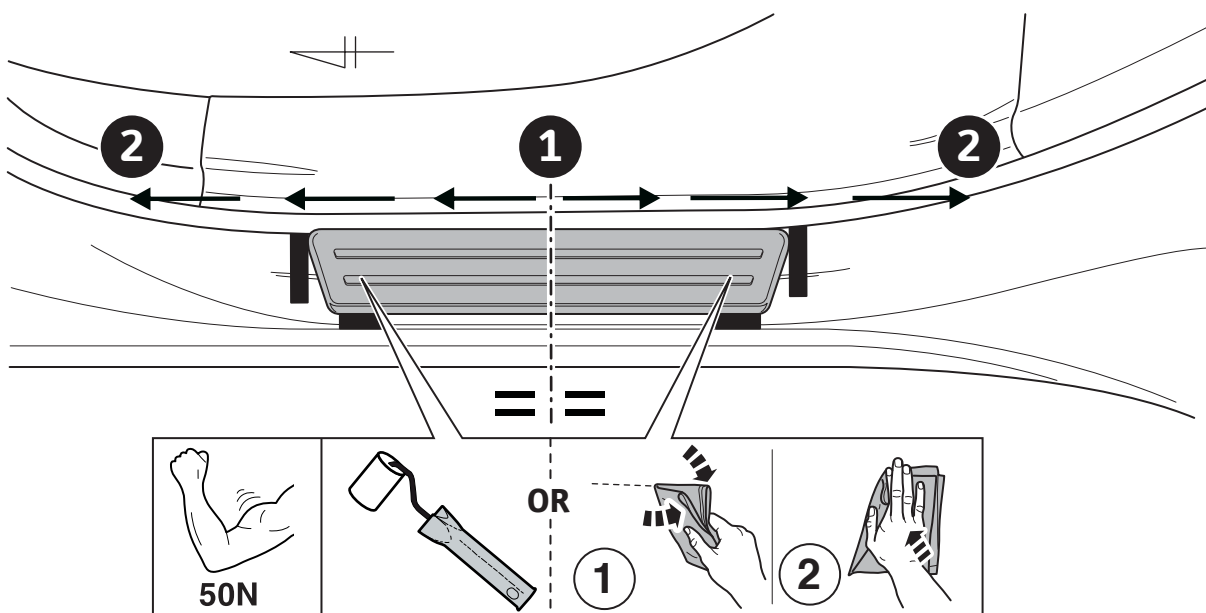




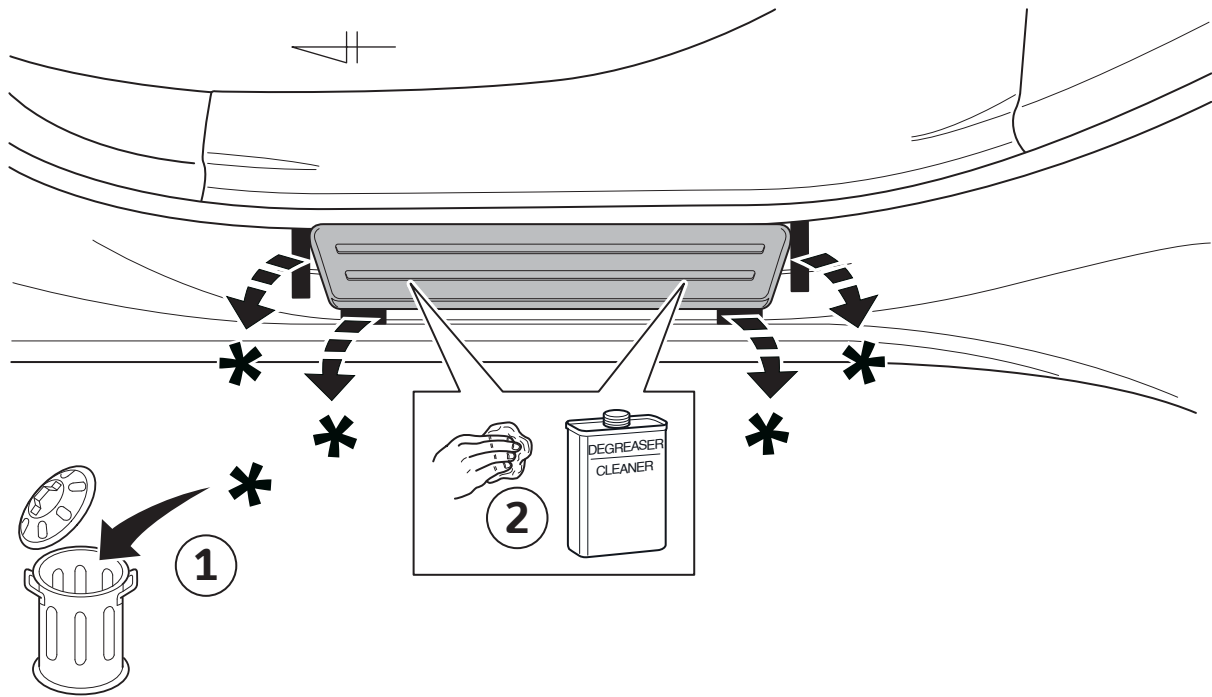
13



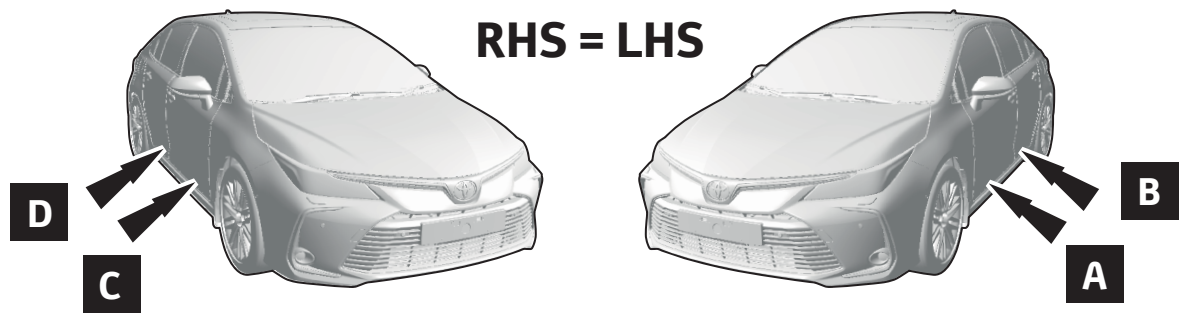
14



15



16



17

# CHECK SHEET

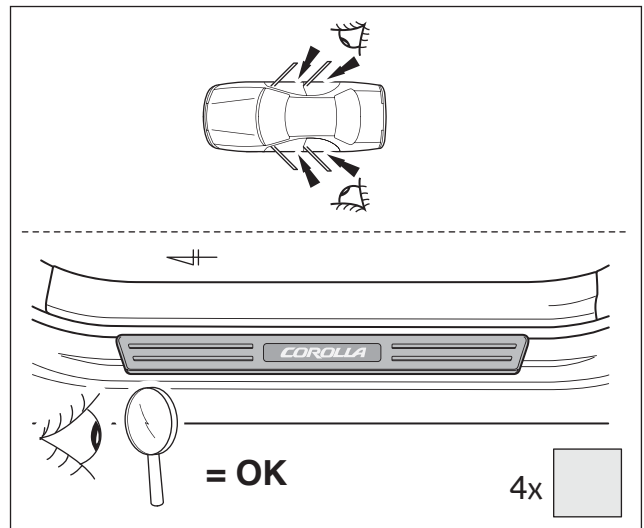
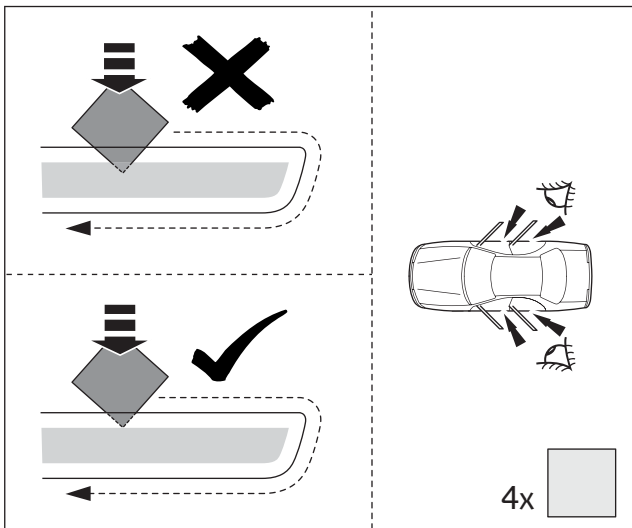
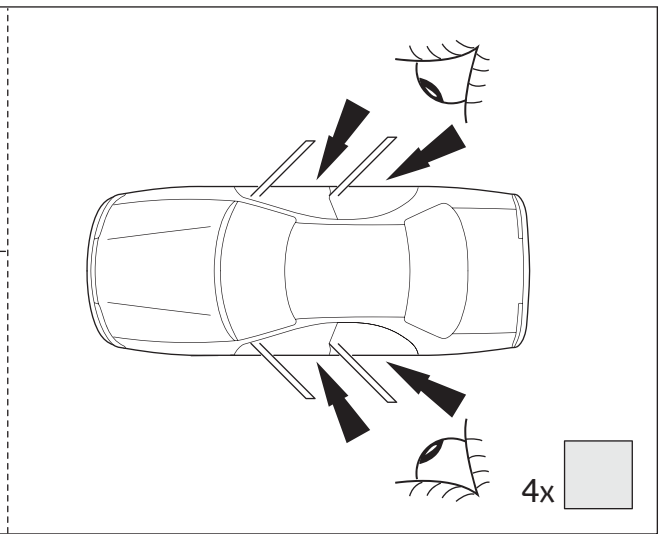
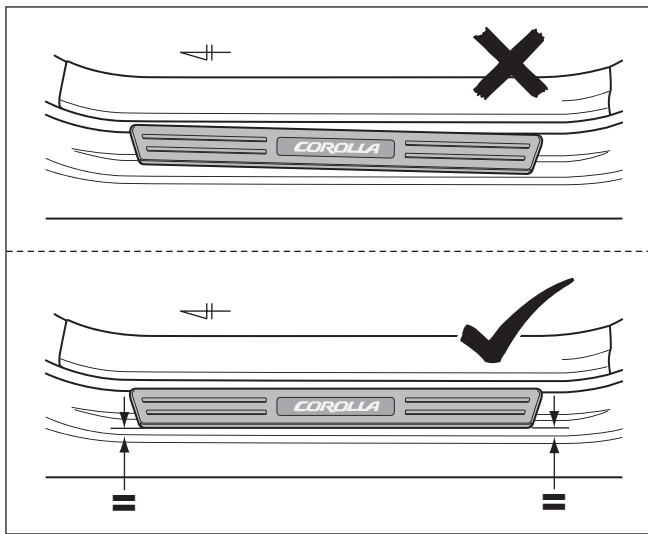
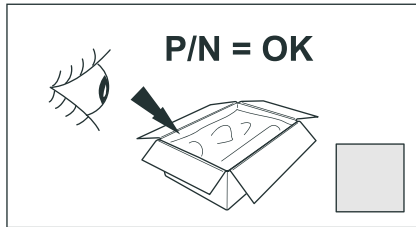


**TOYOTA**

Model / Year **Corolla (Sedan)** Aluminium scuff plates  
2019/01

VIN n°

ALWAYS A  
BETTER WAY



**Installation Date:**  
. . / . . / . . . .

**Technician Name & Signature:**

**Stamp:**



TOYOTA