



**TOYOTA**

ALWAYS A  
**BETTER WAY**

# Prius Plug-in (PHV)

## Rear Bumper Protection Plate

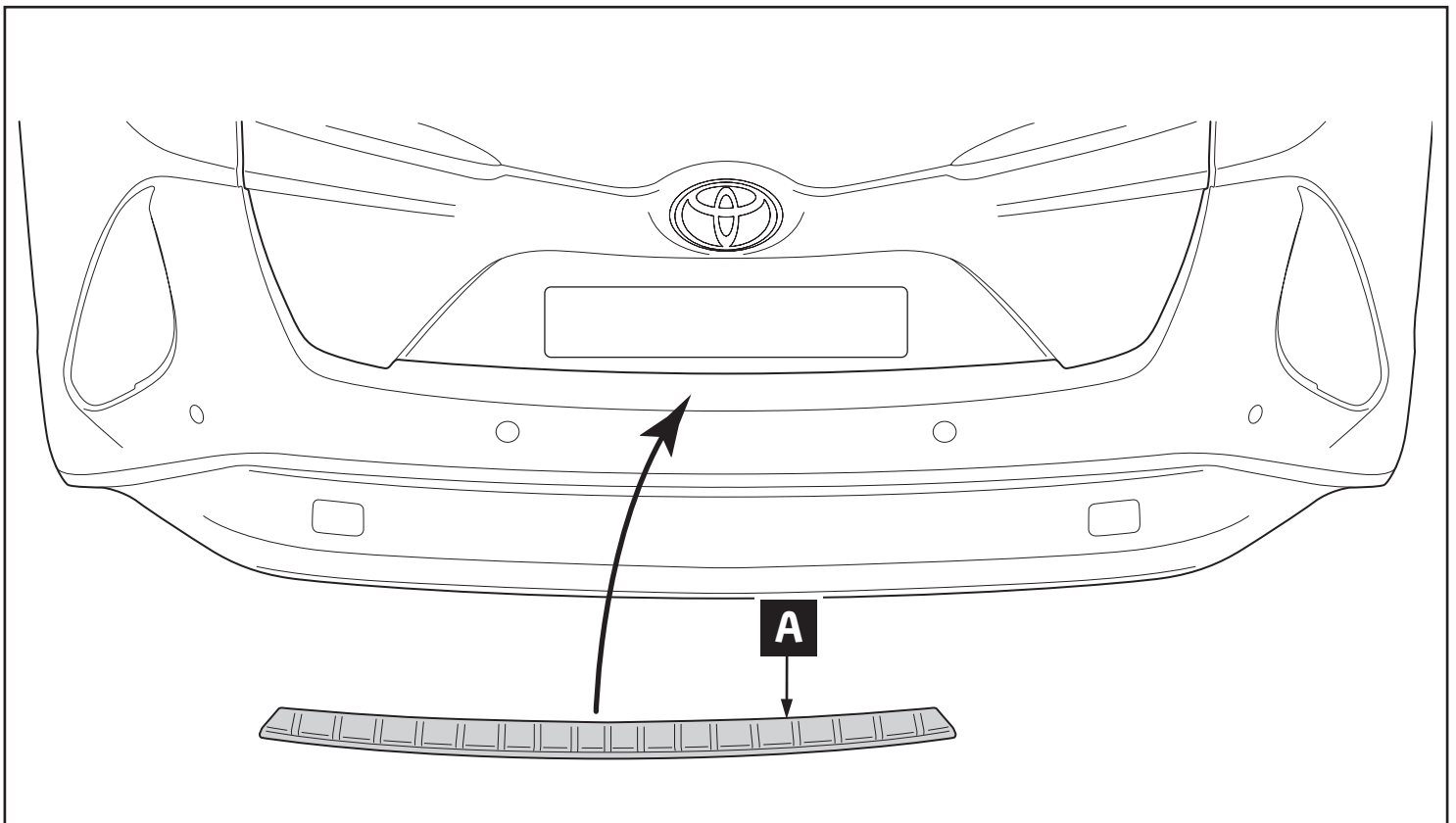
Installation Instructions

Model year: 2016/09  
Vehicle code: ZVW5\*\*-AH\*\*BW  
Part number: PW178-47005

Manual reference number: AIM 003 782-0

# Revision record

| Rev. No. | Date | Page | Picture | Update | New | Deleted steps |
|----------|------|------|---------|--------|-----|---------------|
|          |      |      |         |        |     |               |
|          |      |      |         |        |     |               |
|          |      |      |         |        |     |               |
|          |      |      |         |        |     |               |
|          |      |      |         |        |     |               |
|          |      |      |         |        |     |               |

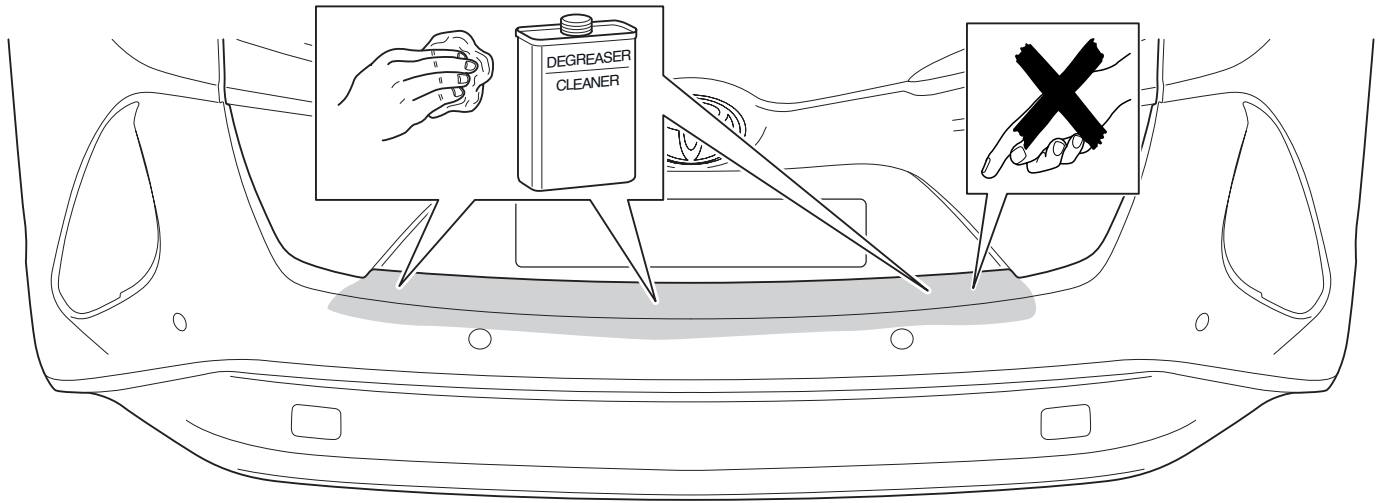


|                      |                       |  |
|----------------------|-----------------------|--|
|                      |                       |  |
| <p><b>3M 751</b></p> | <p><b>3M 2010</b></p> |  |

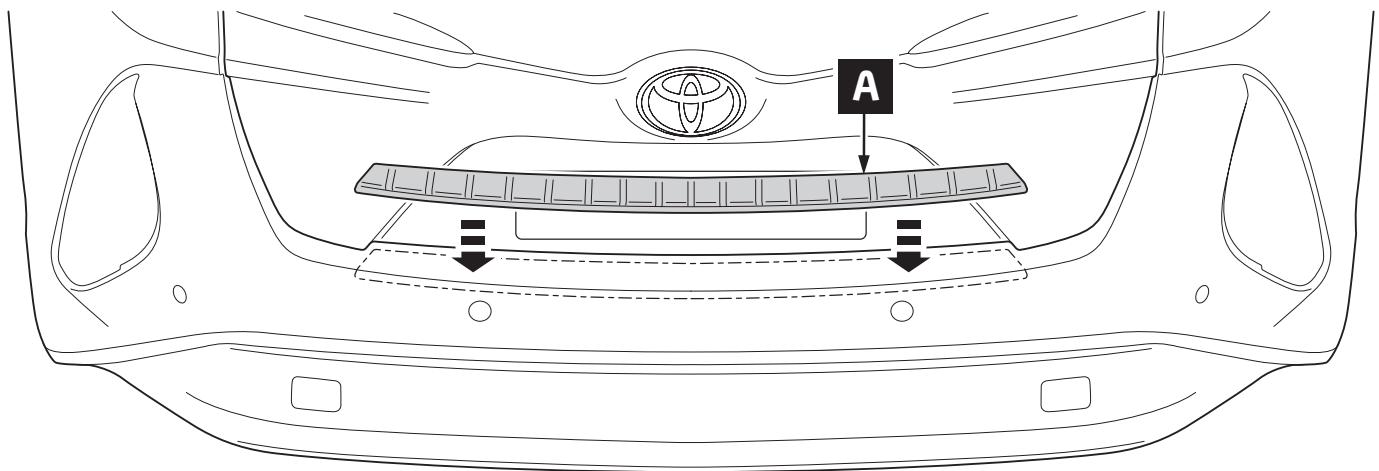


40°C

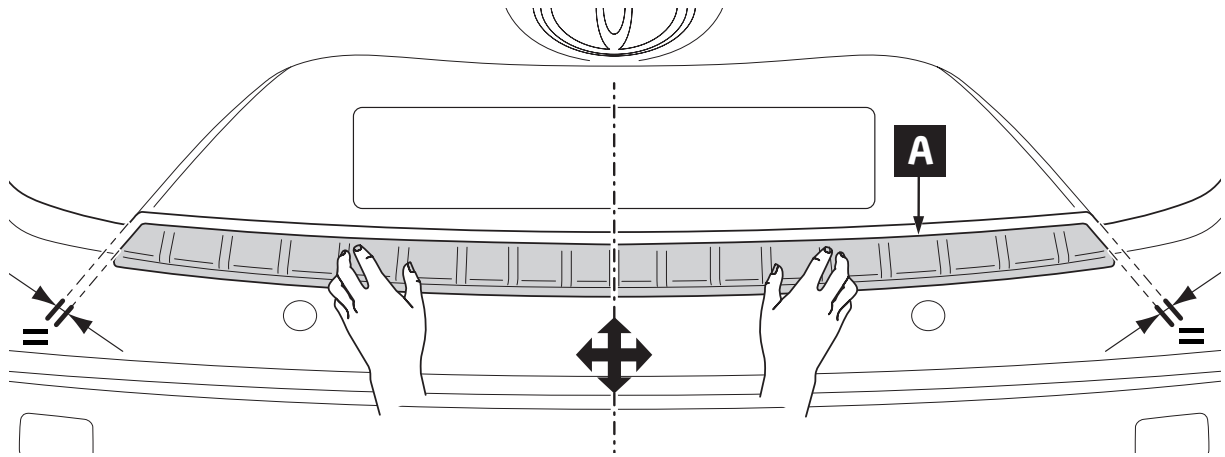
18°C



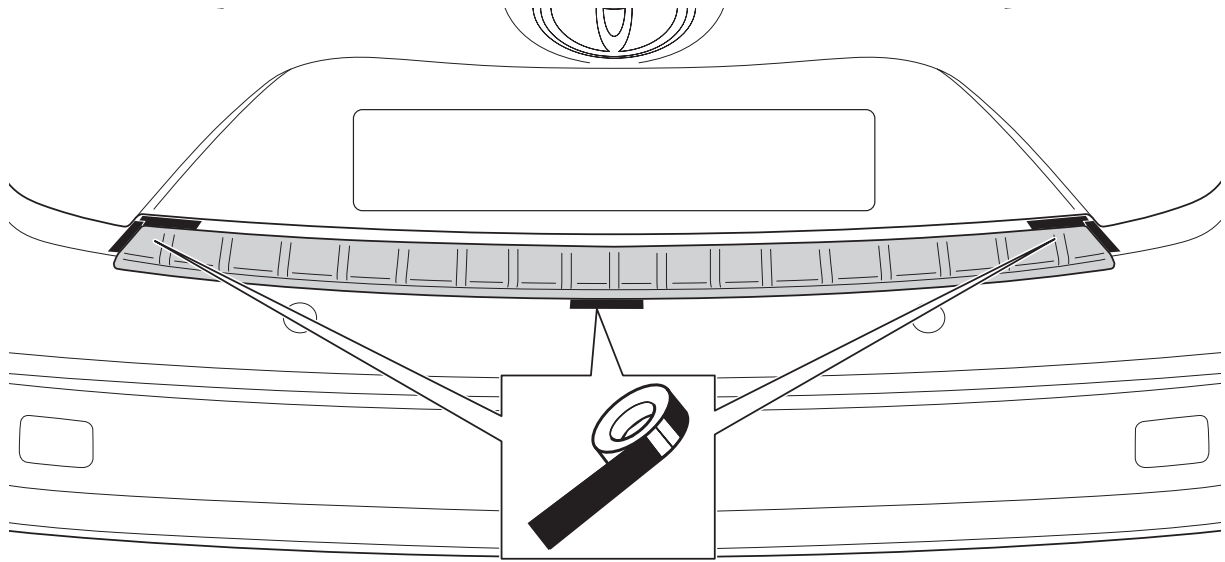
1



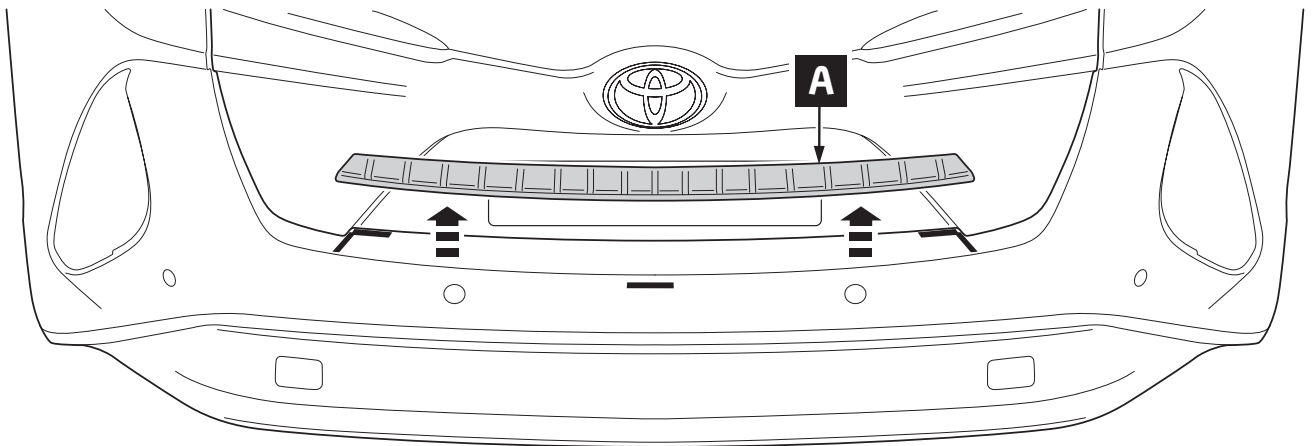
2



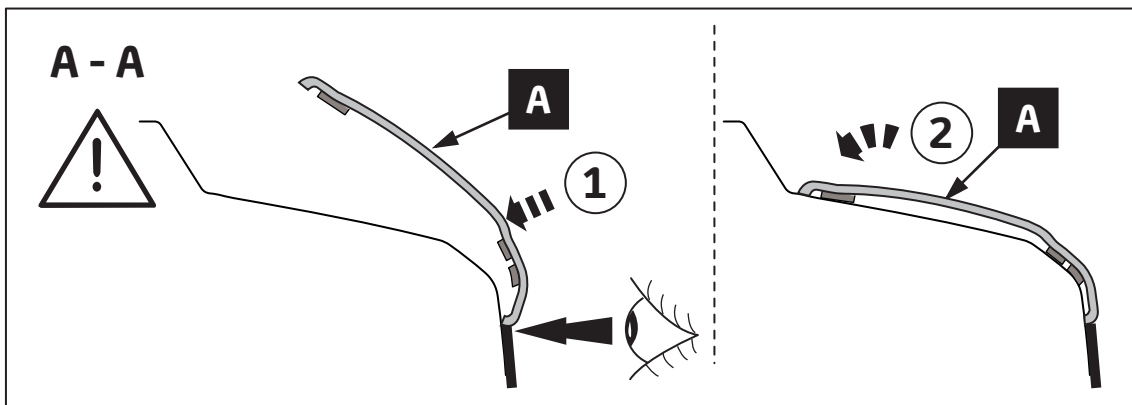
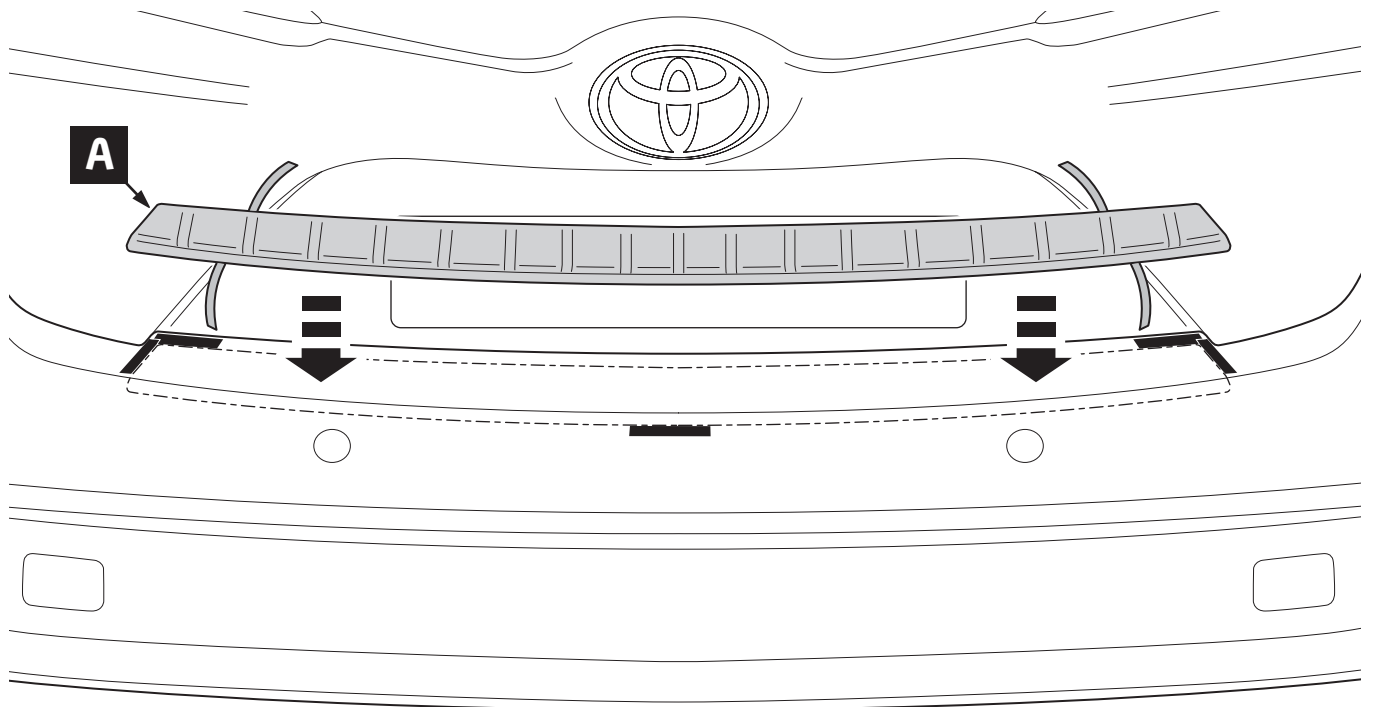
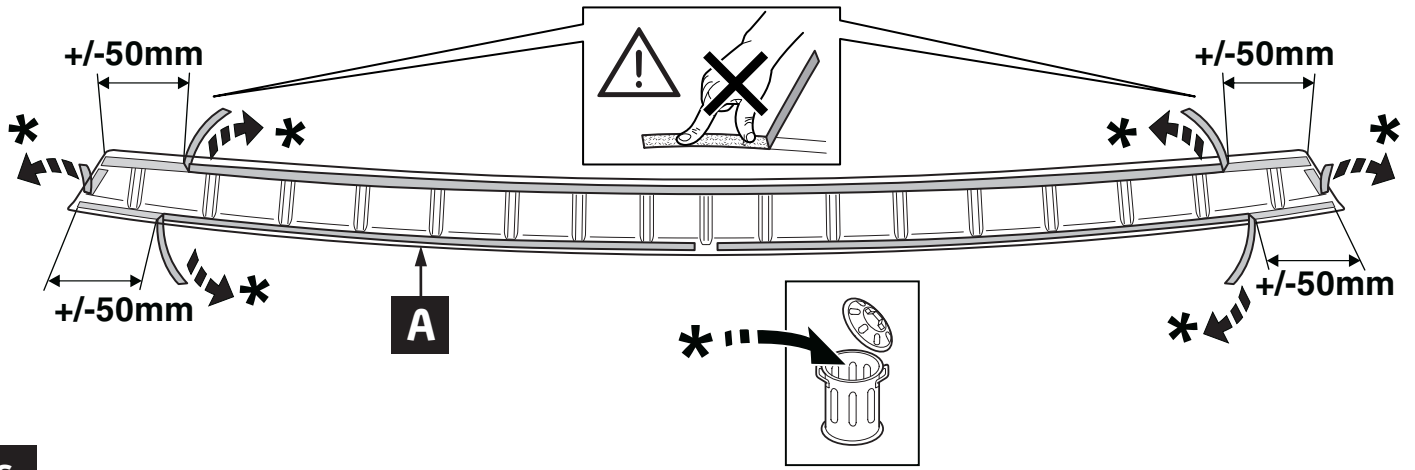
3

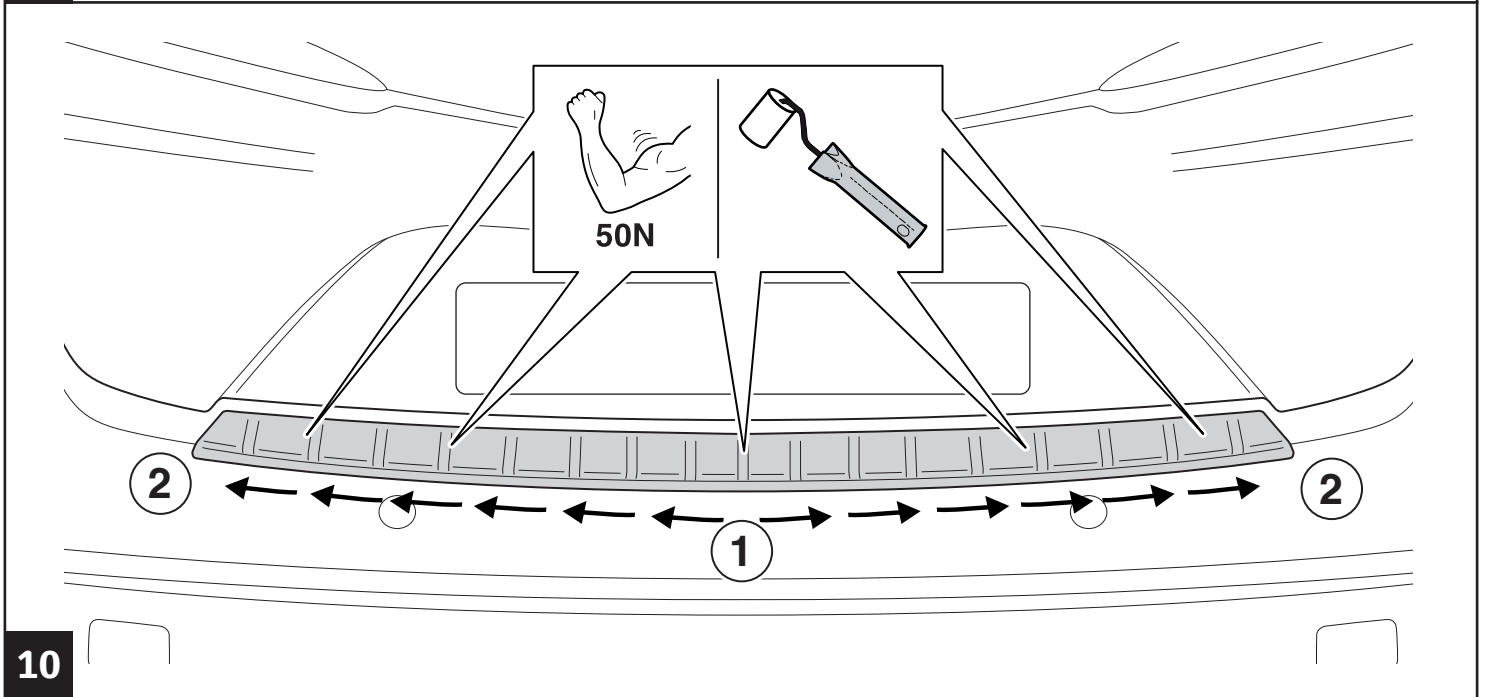
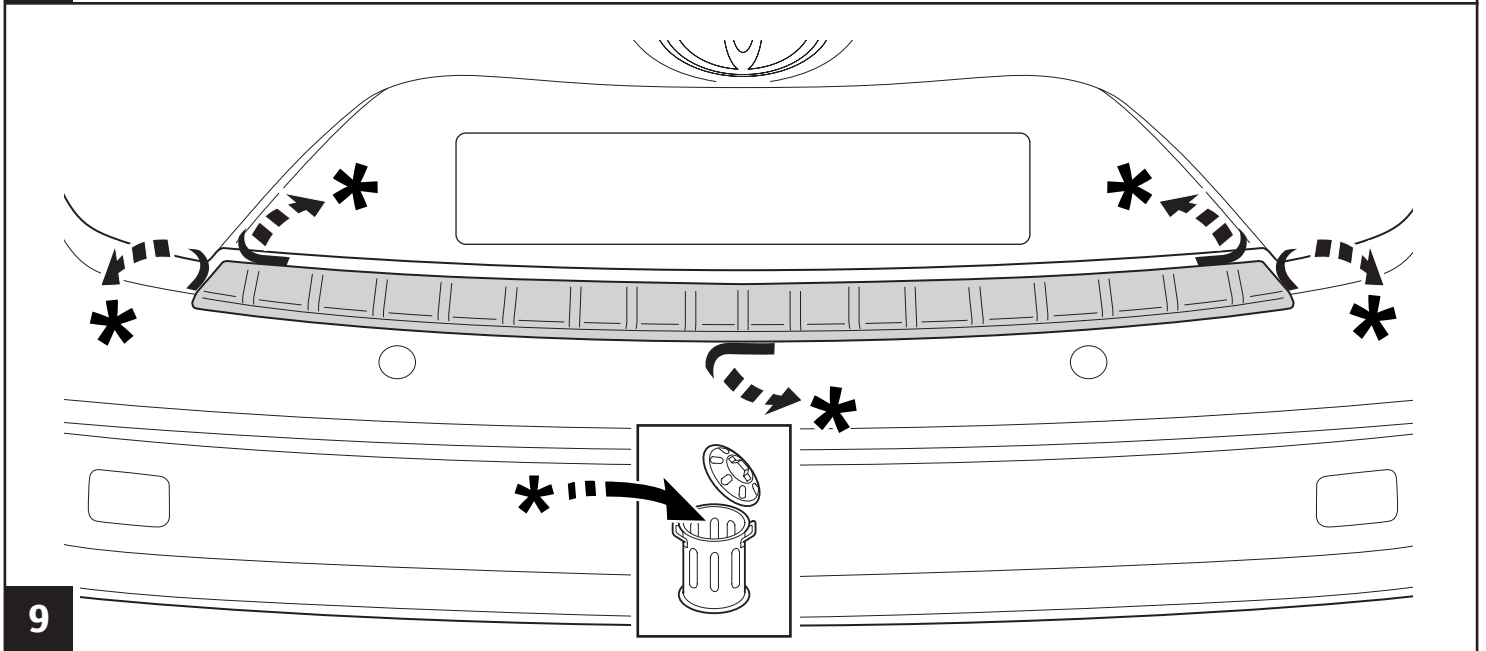
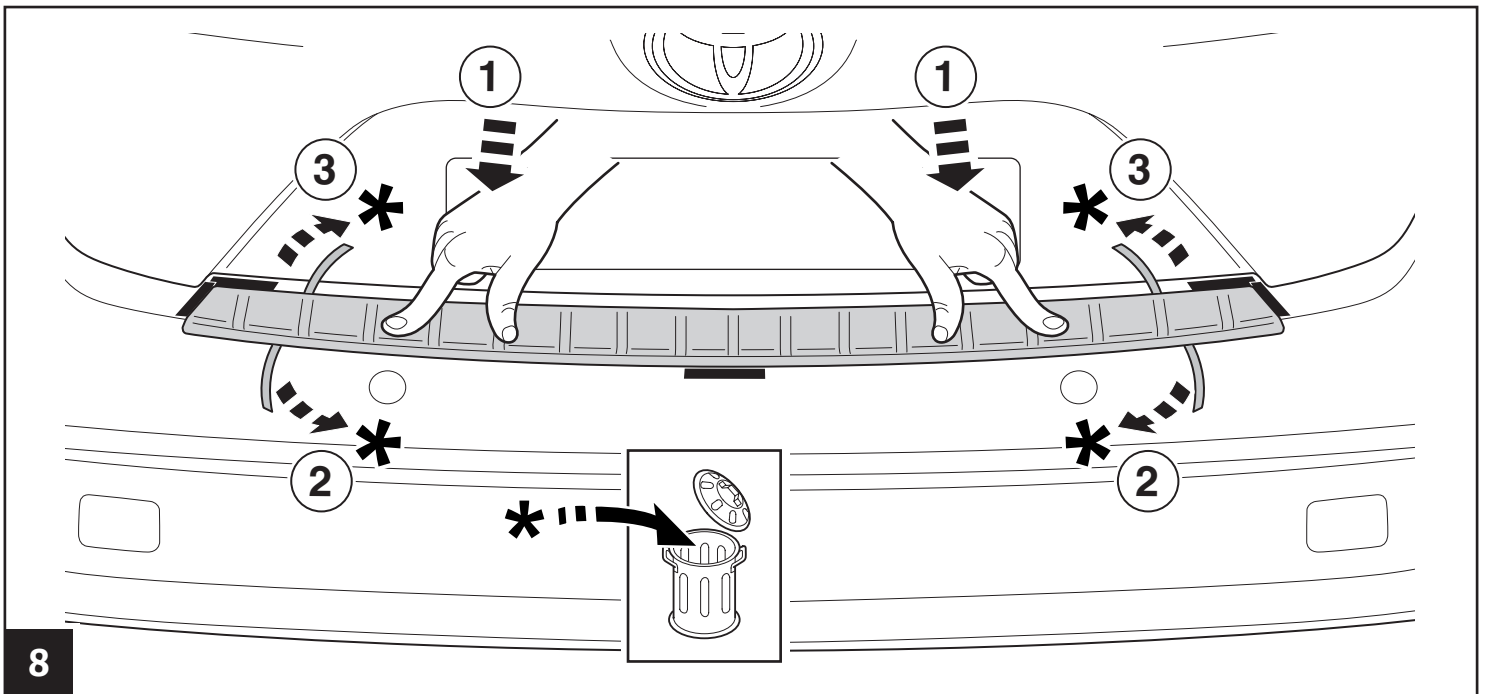


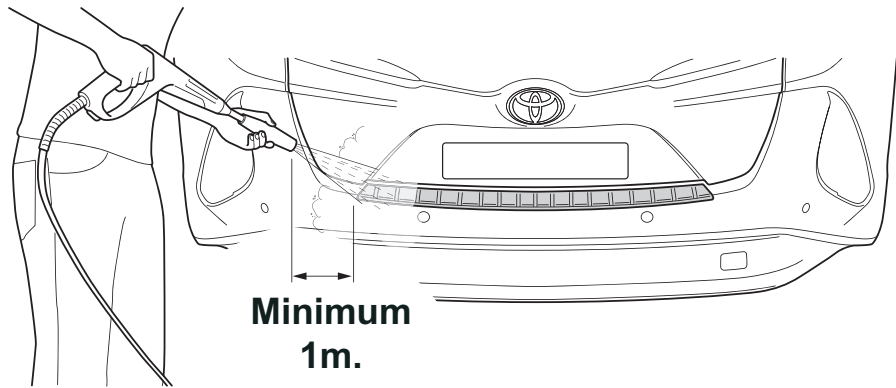
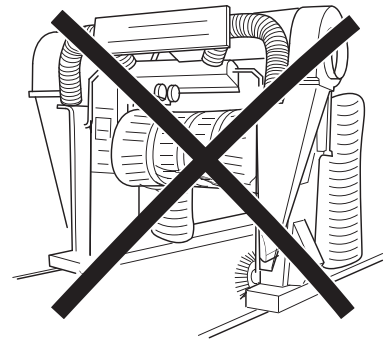
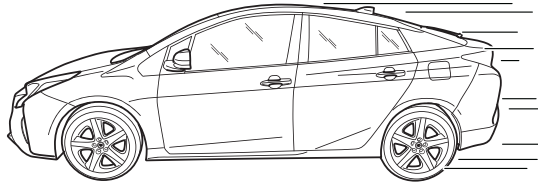
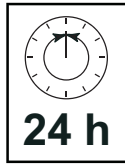
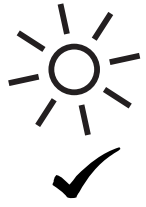
4



5







# CHECK SHEET



**TOYOTA**


Model / Year

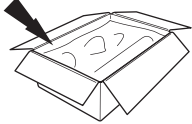
**Prius Plug-in (PHV)  
2016/09**


**Rear Bumper  
protection plate**

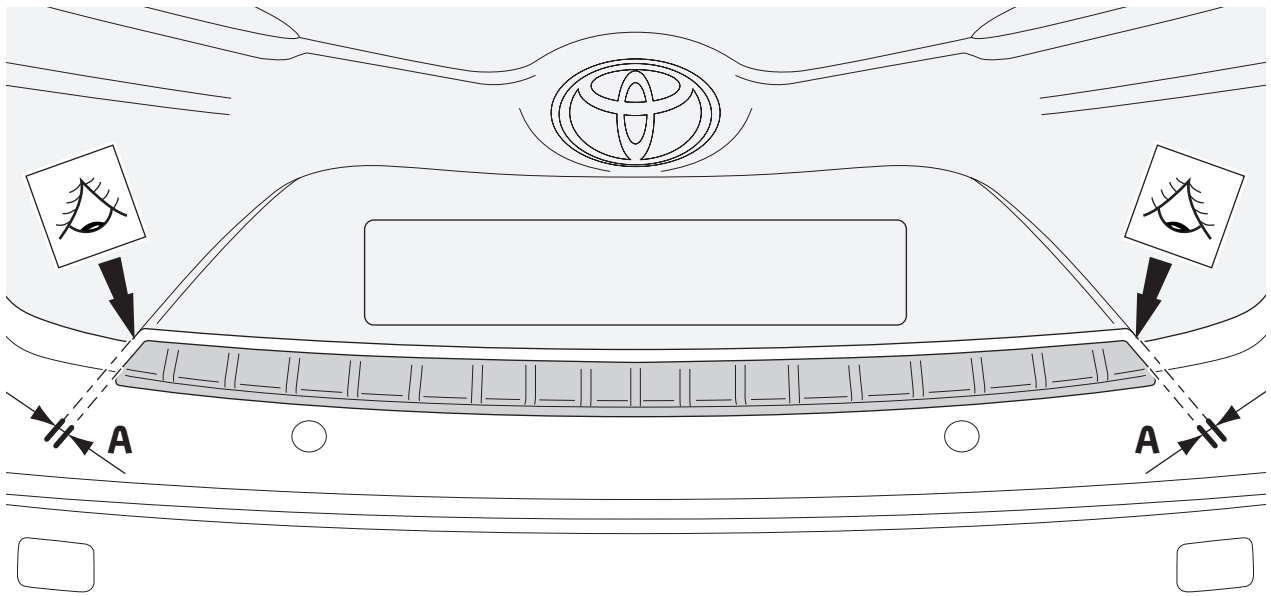
ALWAYS A  
BETTER WAY

VIN n°

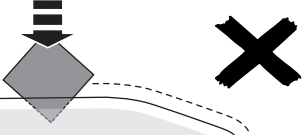
 **P/N = OK**

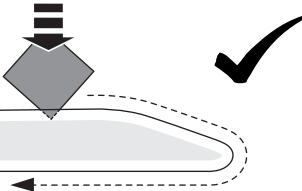


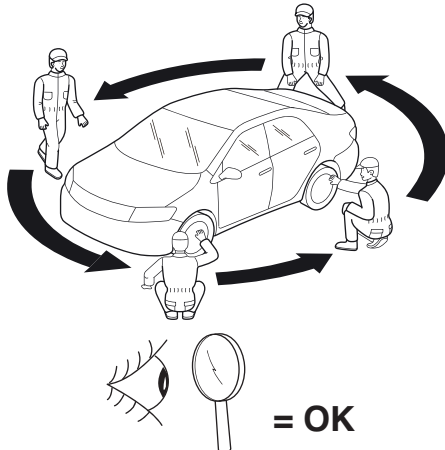




**A=A**







**= OK**

**Installation Date:**

... / ... / ...

**Technician Name & Signature:**

**Stamp:**