



**TOYOTA**

ALWAYS A  
**BETTER WAY**

# Prius Plug-in (PHV)

## Rear bumper protection plate

Installation Instructions

Model year: 2016/09, 2019/05

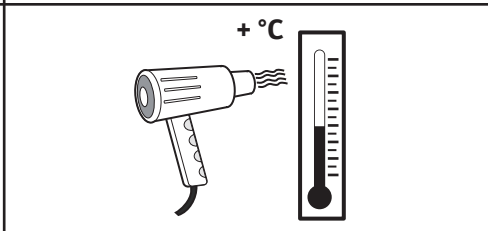
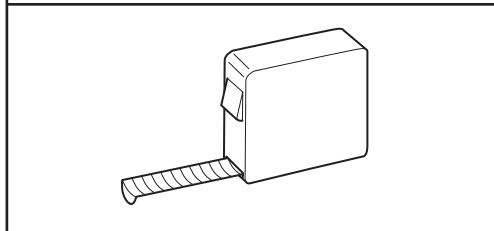
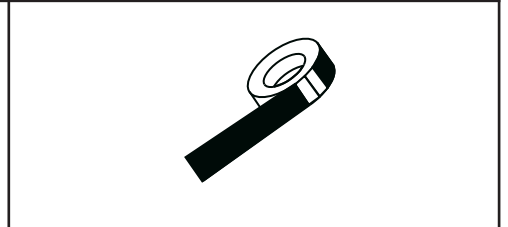
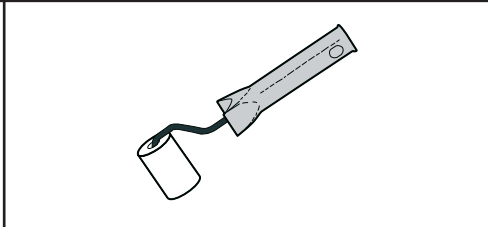
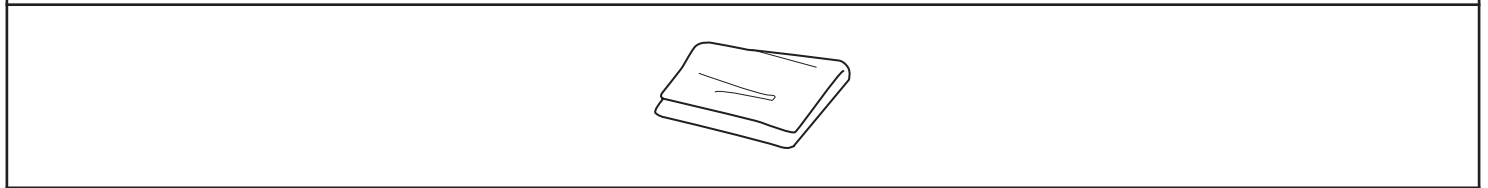
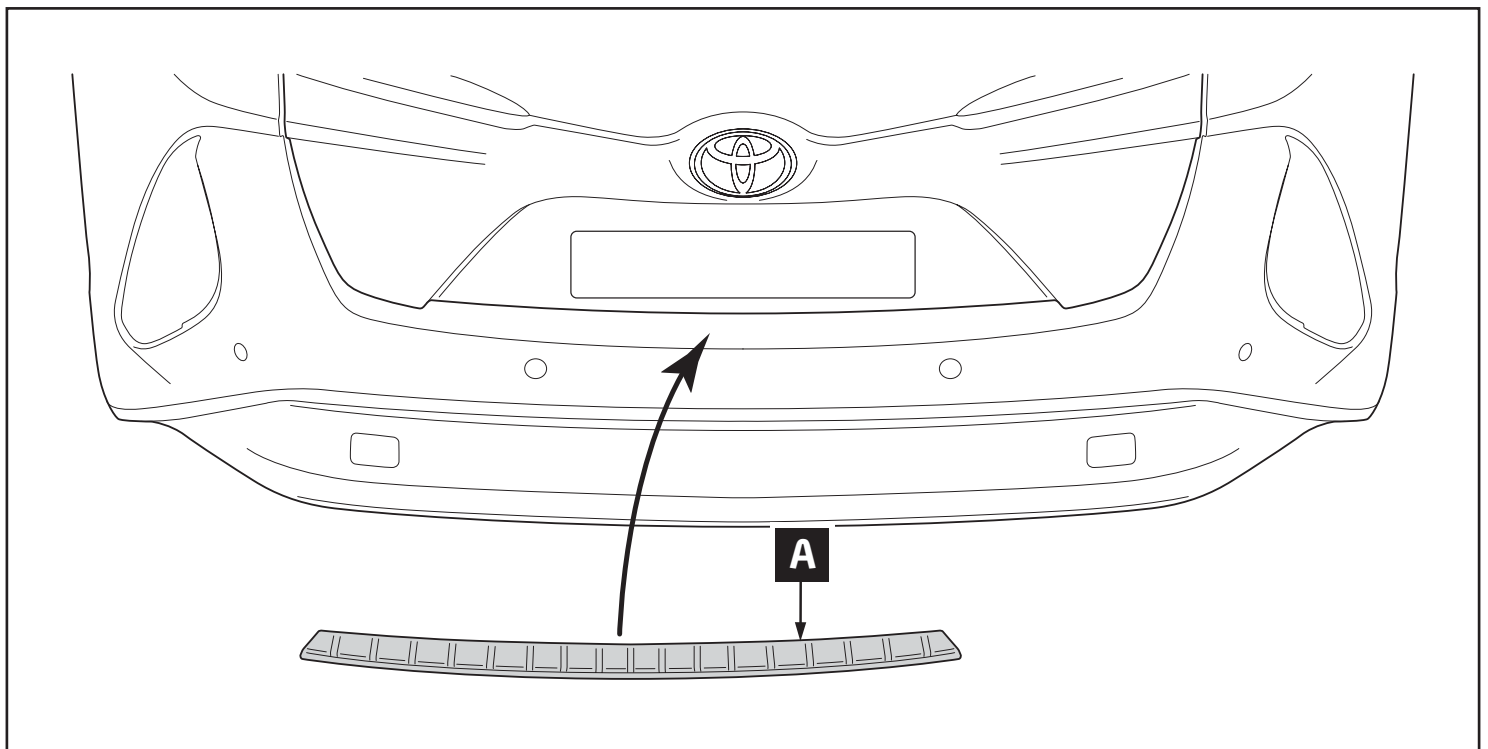
Vehicle code: ZVW5\*\*-AH\*\*BW

Part number: PW178-47005

Manual reference number: AIM 003 782-1

# Revision record

Rev. No.	Date	Page	Step	Remarks
1	14.03.2019	1, 10		Model year added
1	14.03.2019	8	13	Cleaning added
1	14.03.2019	2	Tools	Tools added
1	14.03.2019	5, 6	6, 7	Temperature check added
1	14.03.2019	10	CS	Check position of part added



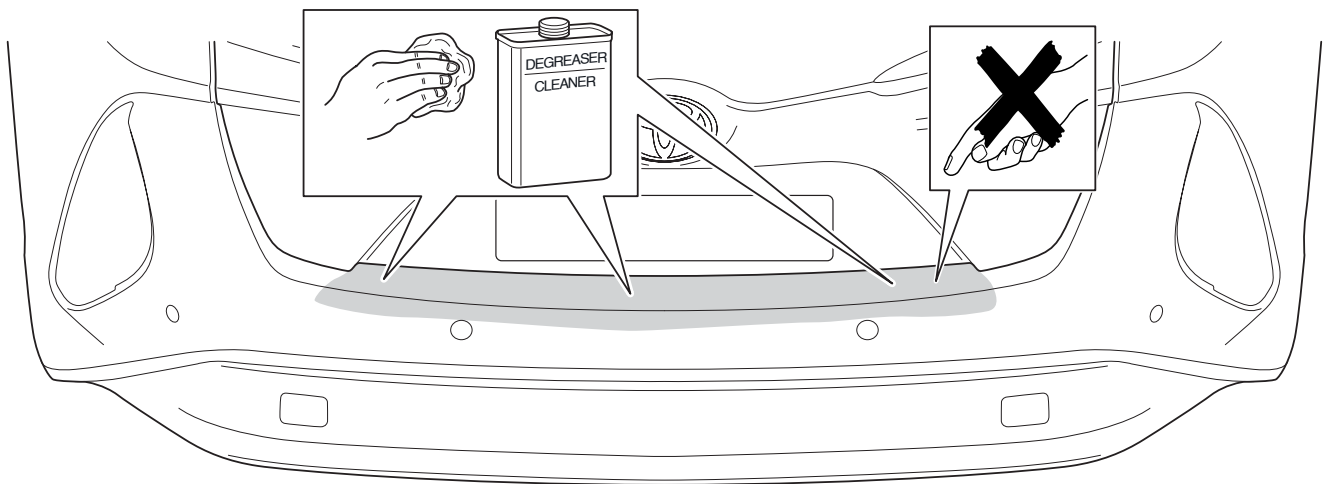
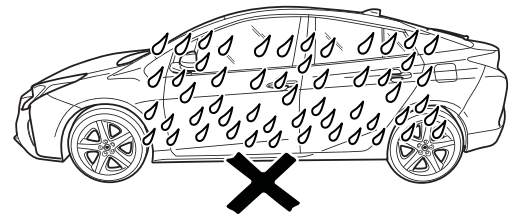
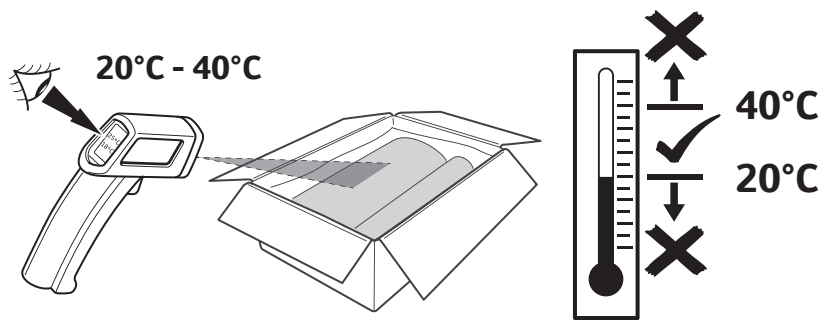
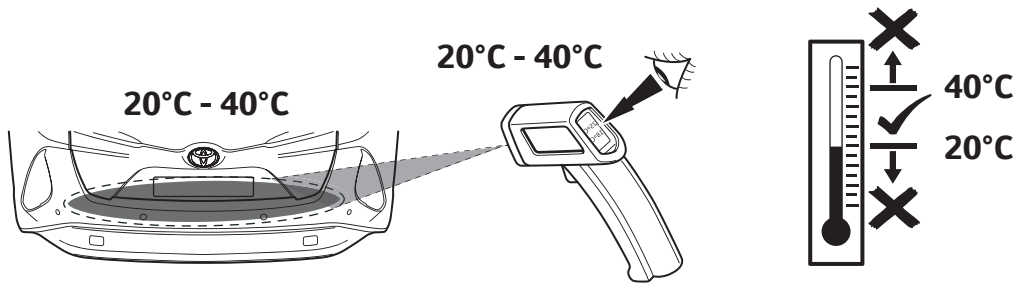
**INFO**



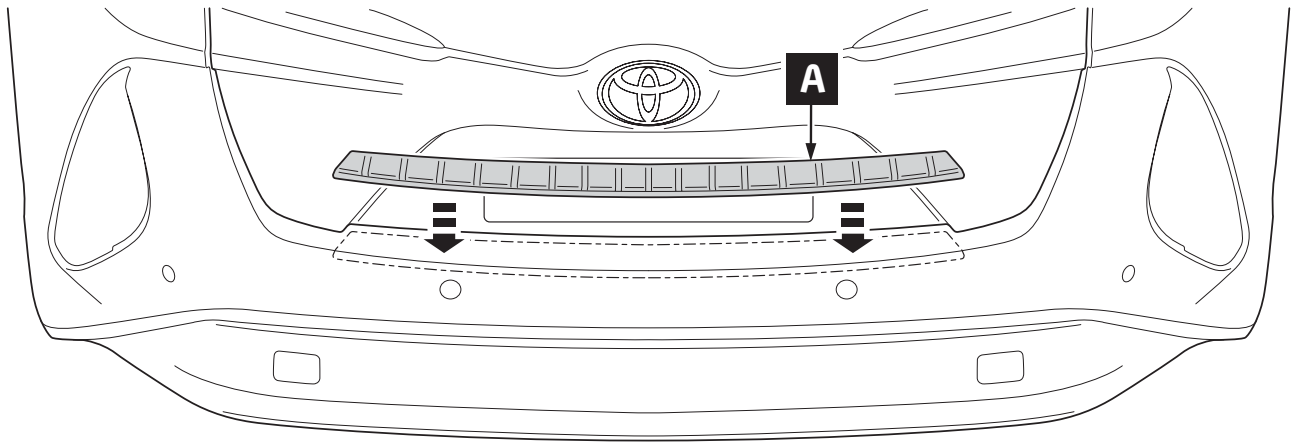
**Material Safety Data Sheet**



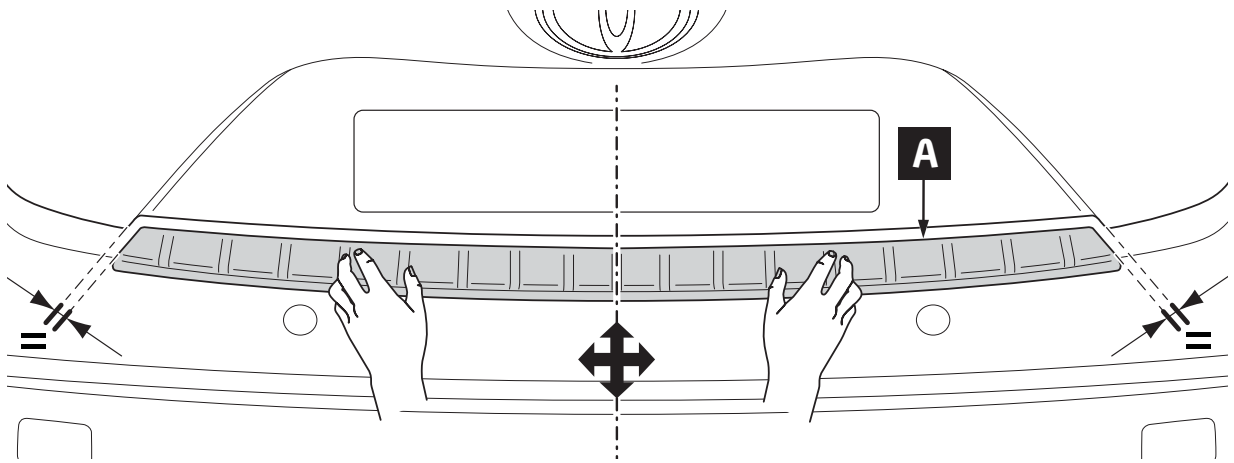
**Technical Data Sheet**



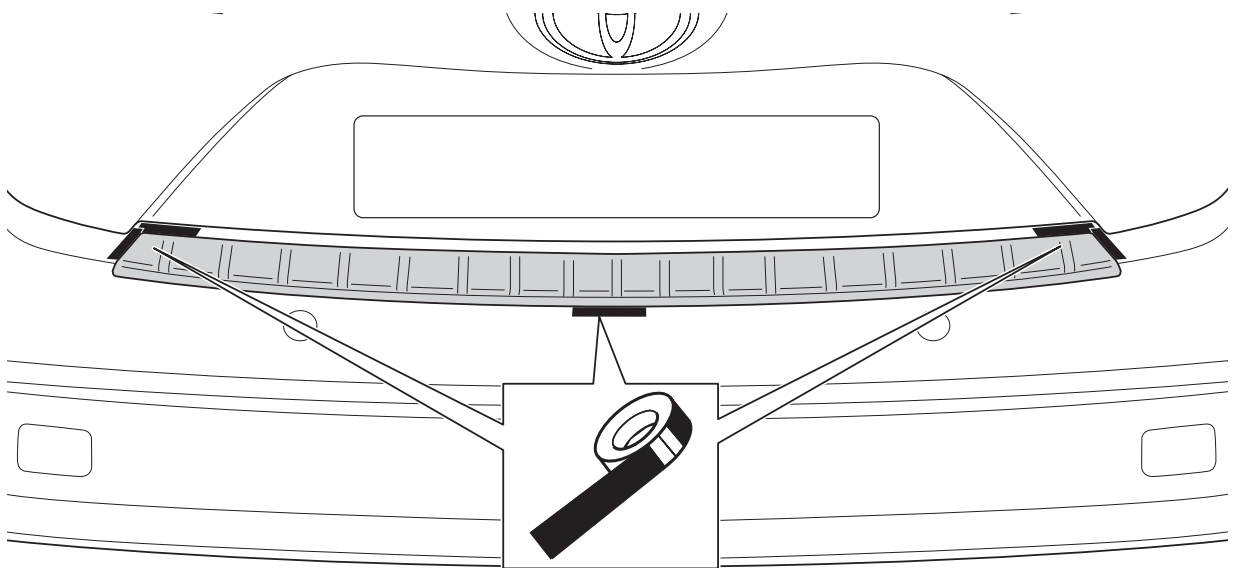
**1**



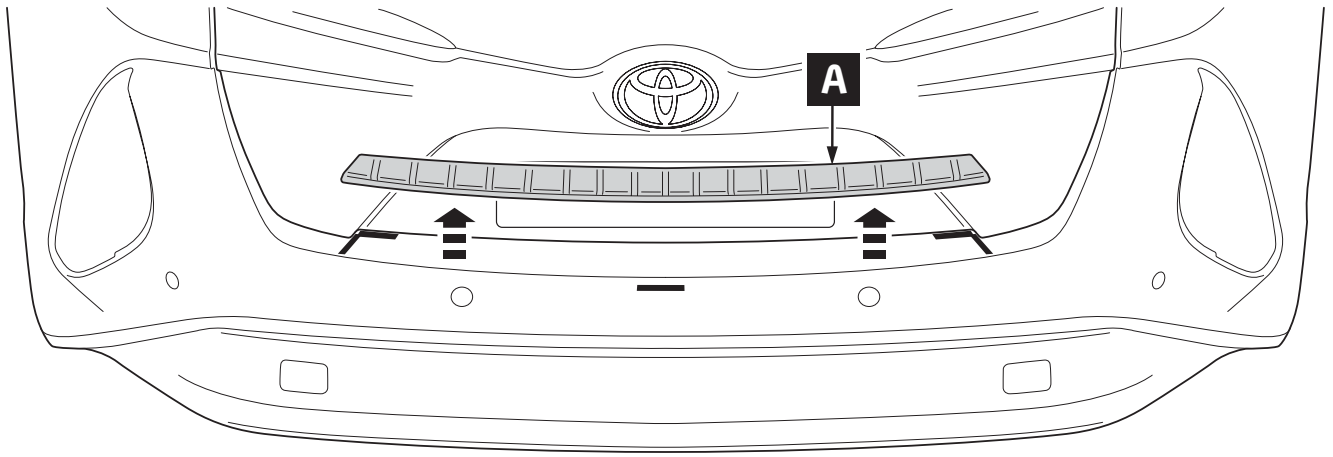
2



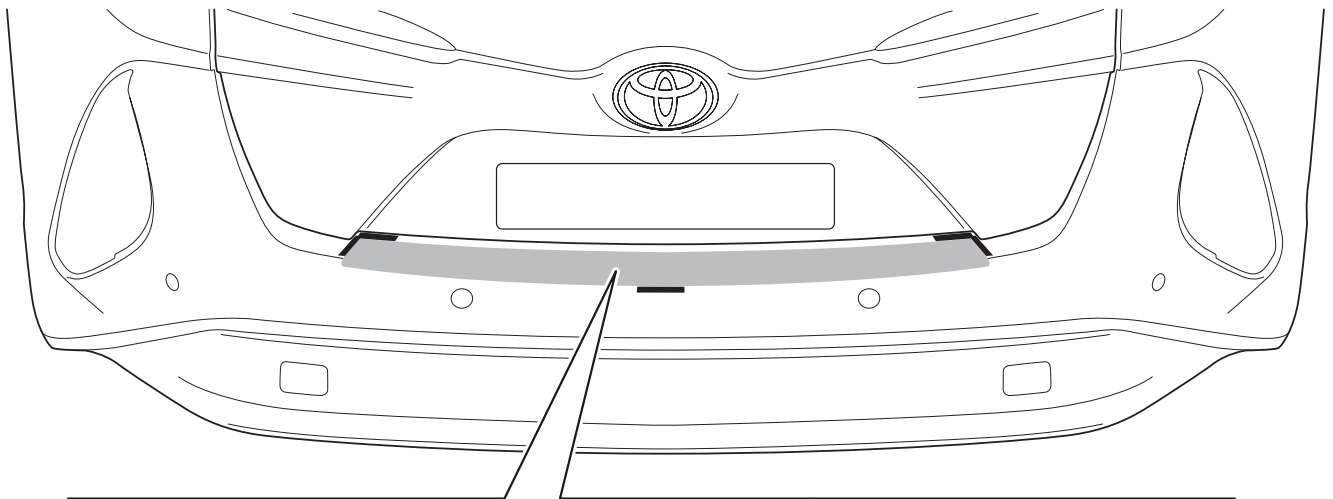
3



4

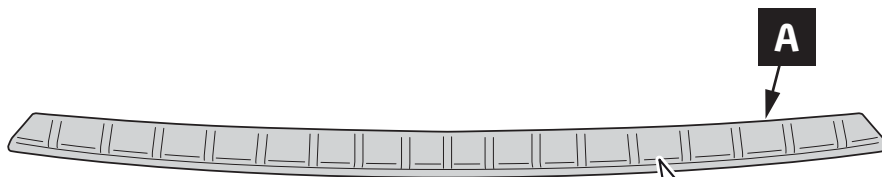


5



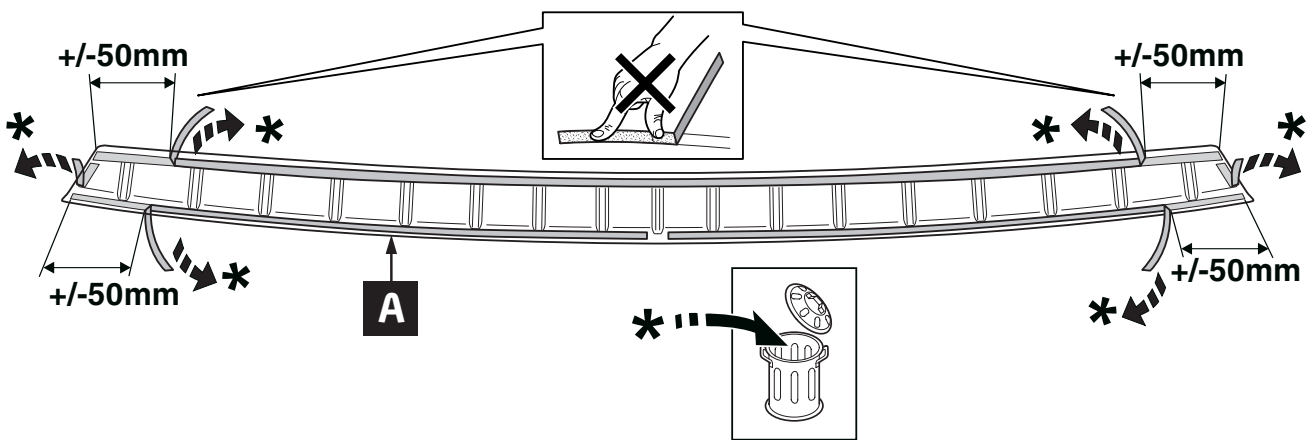
<p>1</p>	<p>&lt; 20°C → 2</p> <p>20°C - 40°C → 7</p>	<p>2</p>
<p>3</p>	<p>20°C - 40°C → 7</p>	<p><b>INFO</b></p>

6

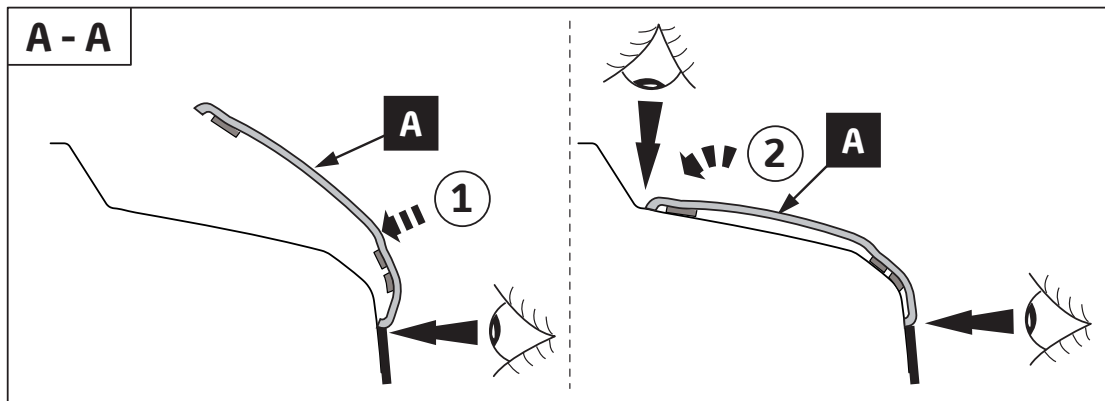
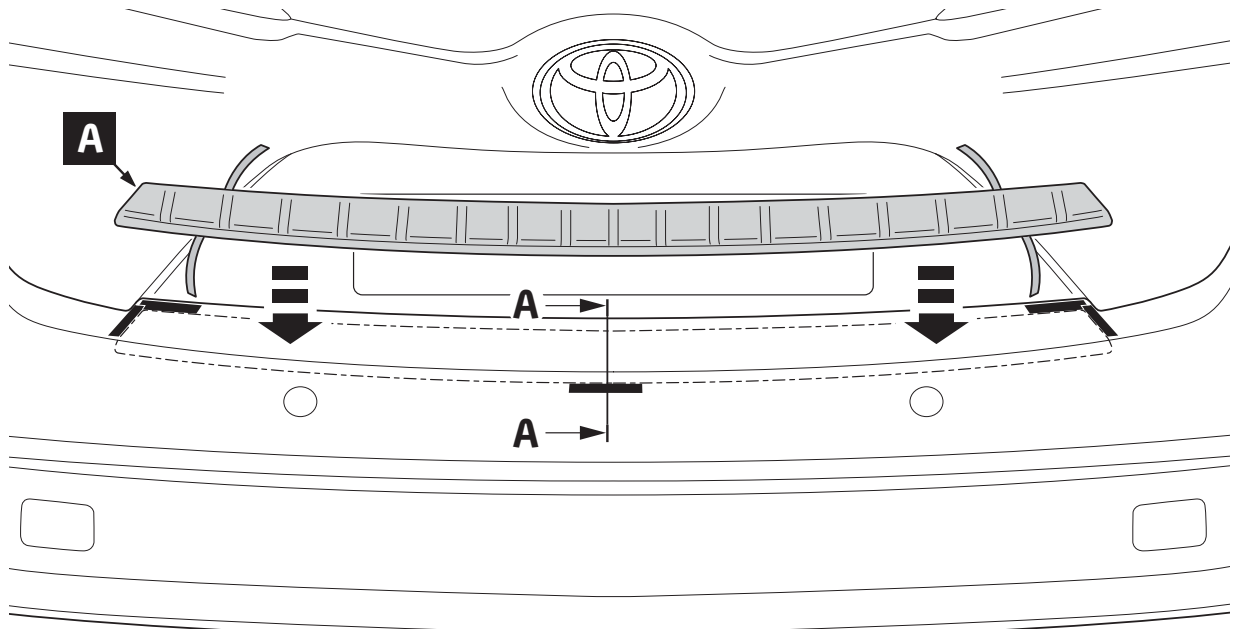


<p>1</p>	<p>&lt; 20°C → 2</p> <p>20°C - 40°C → 8</p>	<p>2</p>
<p>3</p>	<p>20°C - 40°C → 8</p>	<p><b>INFO</b></p>

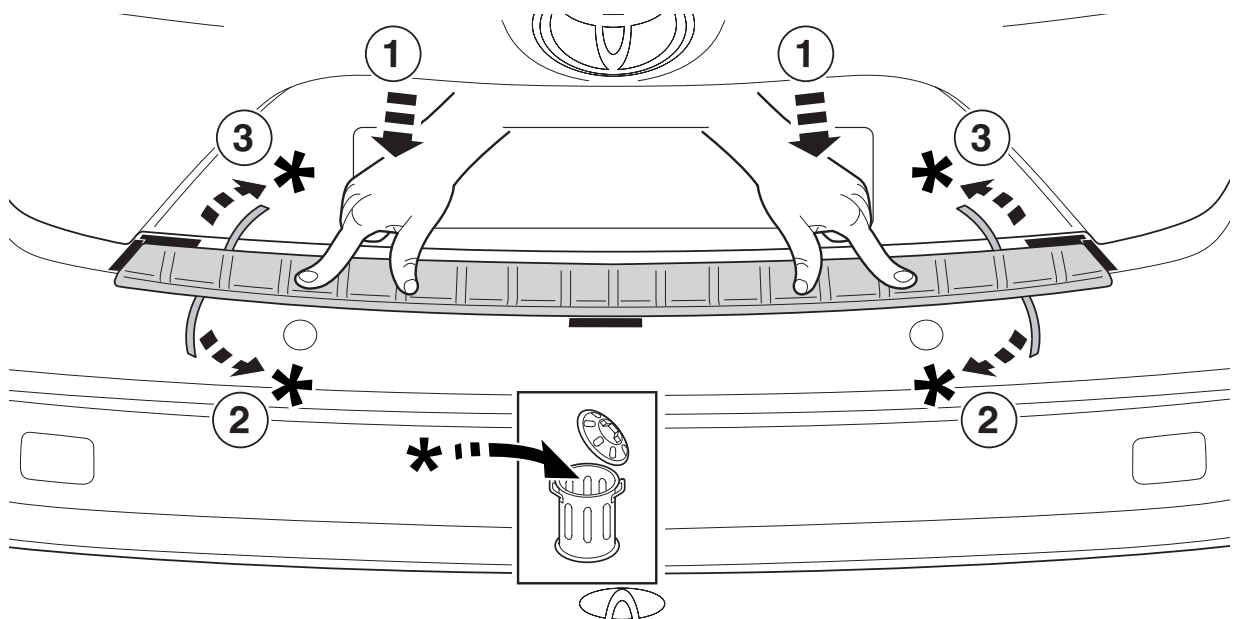
7



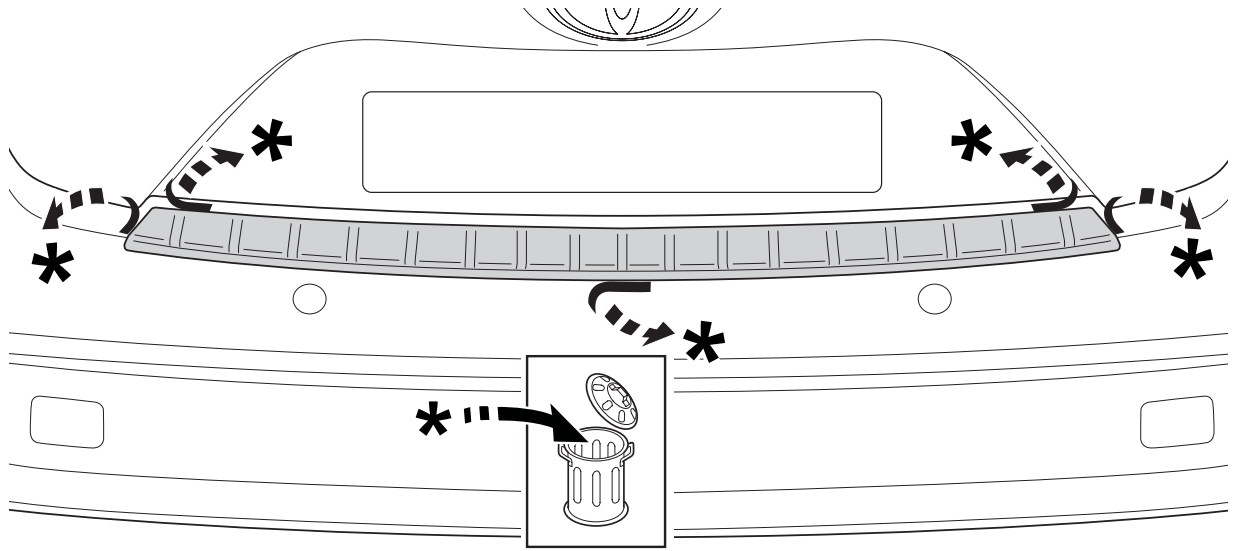
8



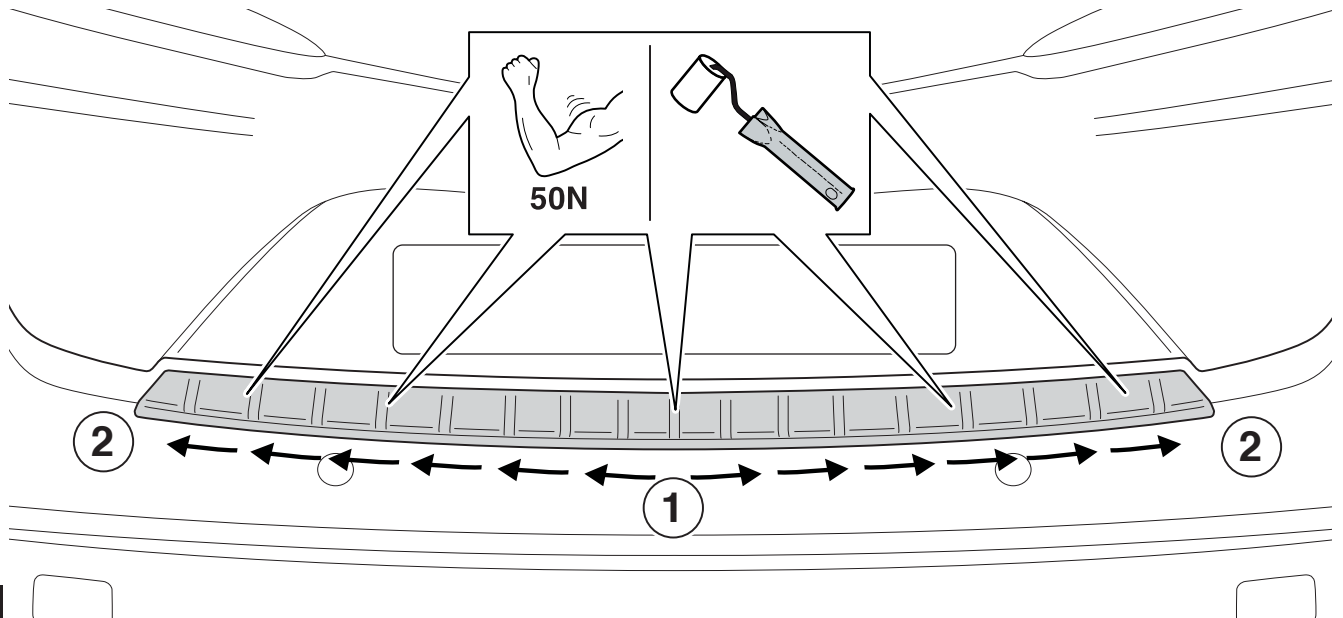
9



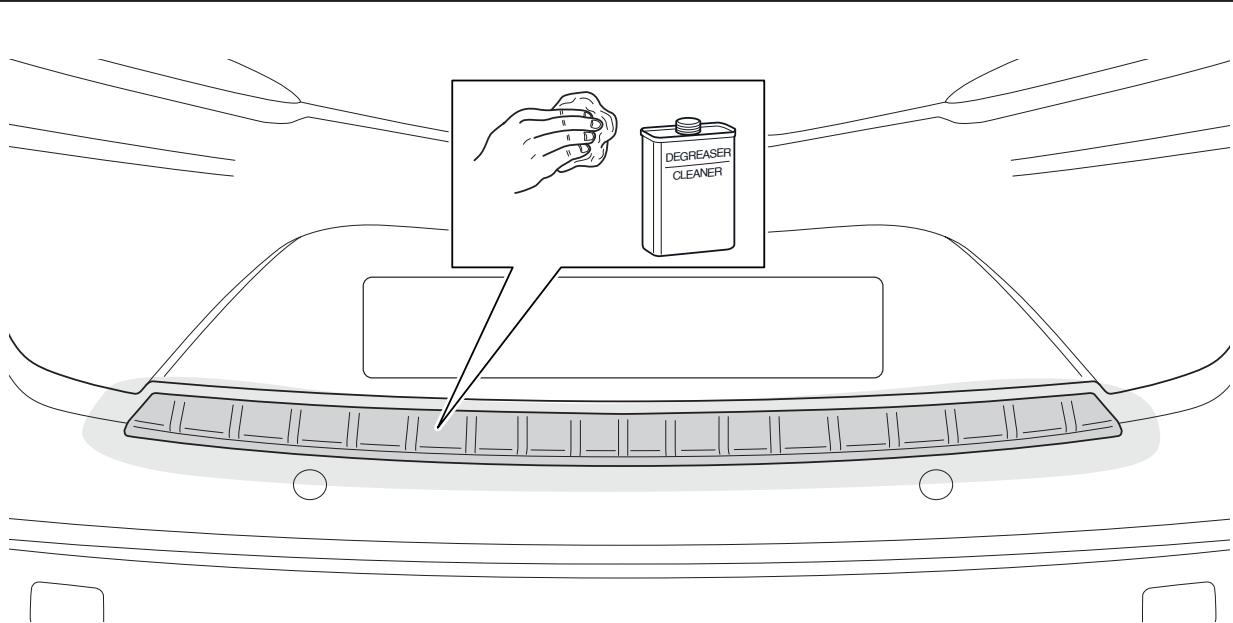
10



11



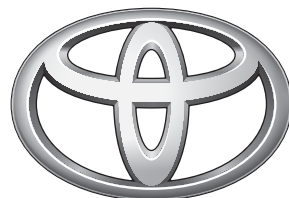
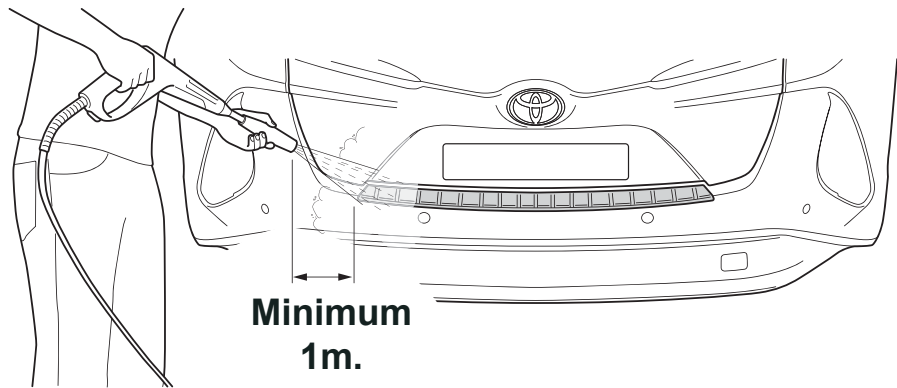
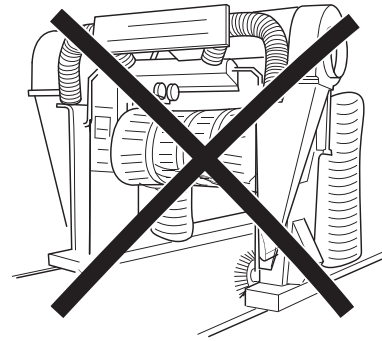
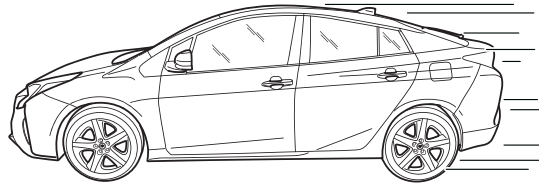
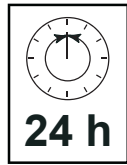
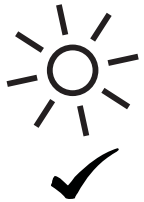
12



13



**INFO**



**TOYOTA**



TOYOTA

ALWAYS A BETTER WAY

# CHECK SHEET

Page 1 of 1

Model/Year

Prius Plug-in (PHV)

2016/09, 2019/05

Rear bumper protection plate

VIN n°

## DURING INSTALLATION

**1**

P/N = OK

**2**

A=A

## AFTER INSTALLATION

**1**

**2**

Installation Date:

. . . / . . . / . . . . .

Technician Name & Signature:

Stamp:

