



**TOYOTA**

ALWAYS A  
**BETTER WAY**

# Land Cruiser

## Clear combi lights

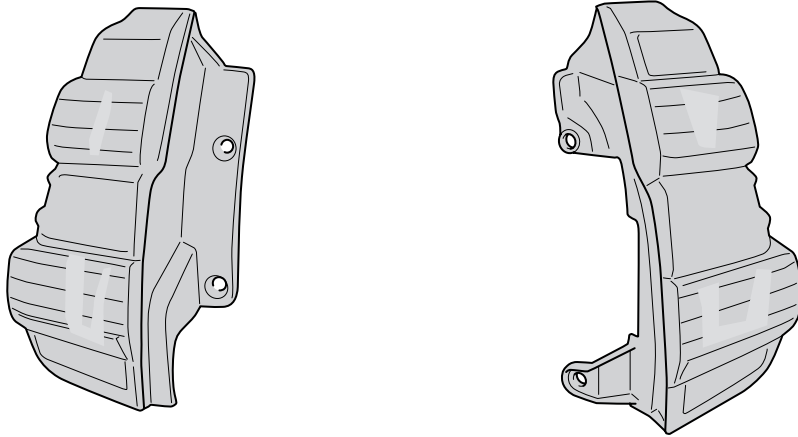
Installation Instructions

Model year: 2013/08  
Vehicle code: \*\*J15\*\*-G\*\*E\*W  
Part number: 08538-60820

Manual reference number: AIM 003 028-0

# Revision record

Rev. No.	Date	Page	Picture	Update	New	Deleted steps



**A**

1x



**M10  
M12**



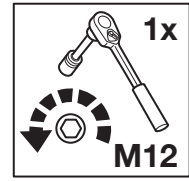
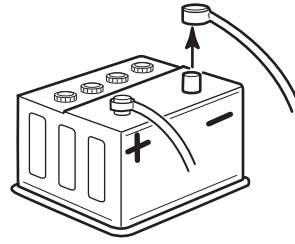
**M12**



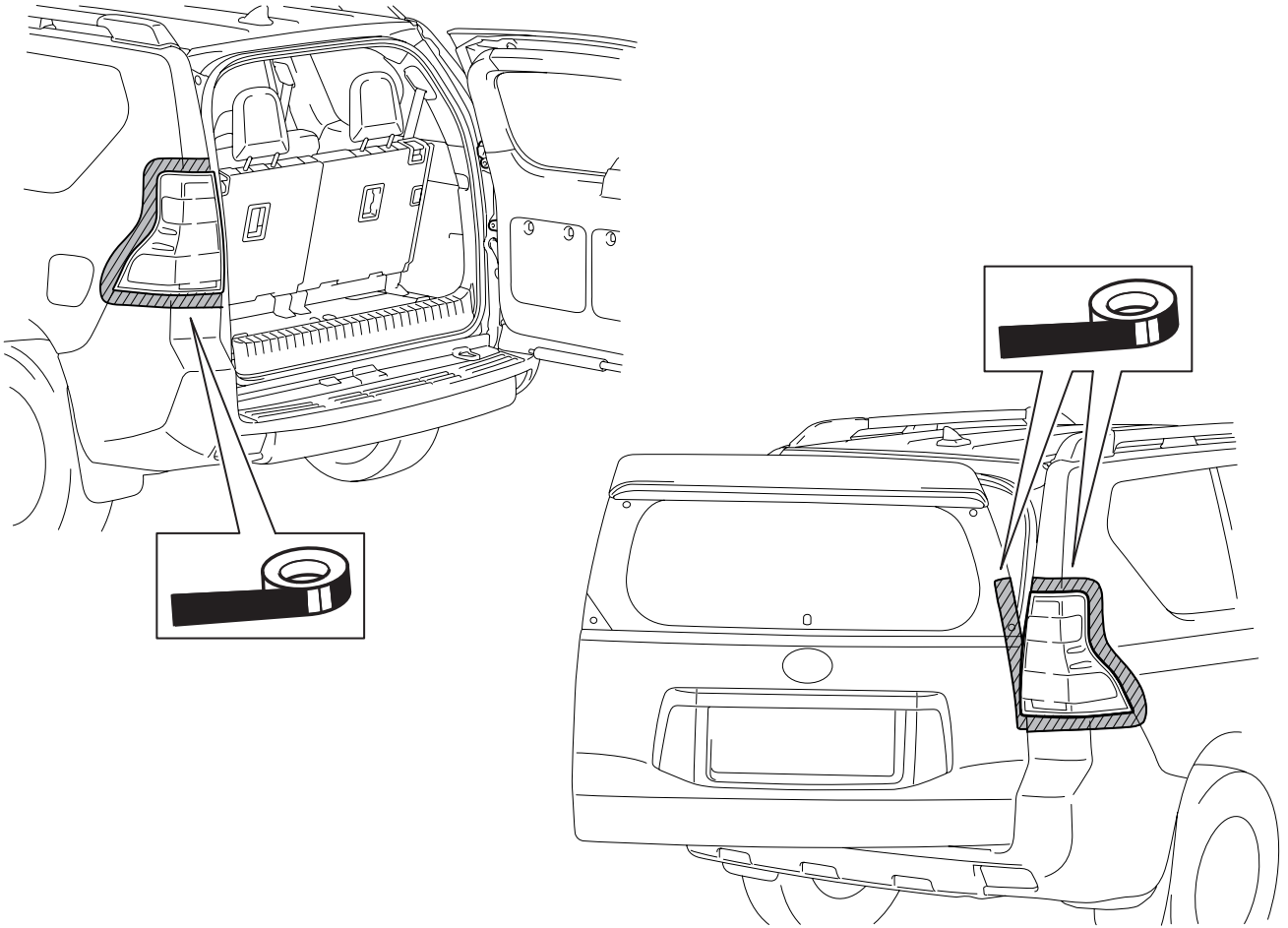
≥ 90"



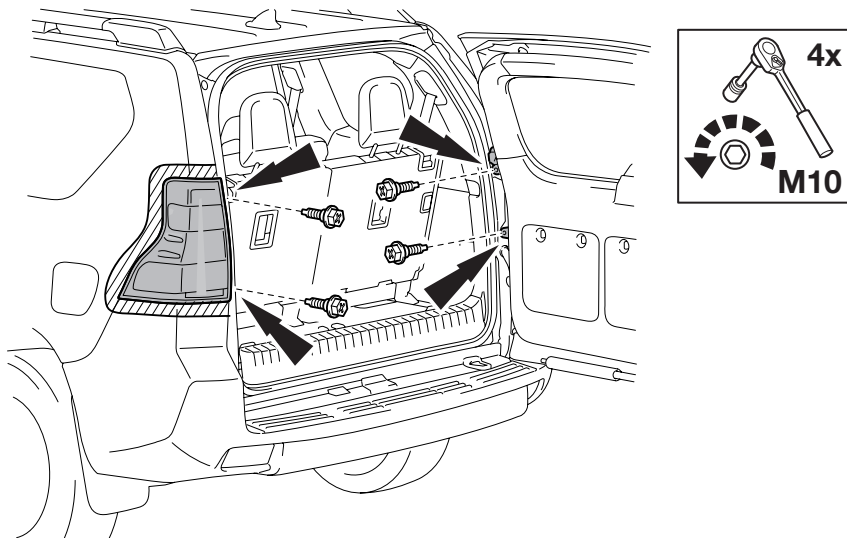
Airbag



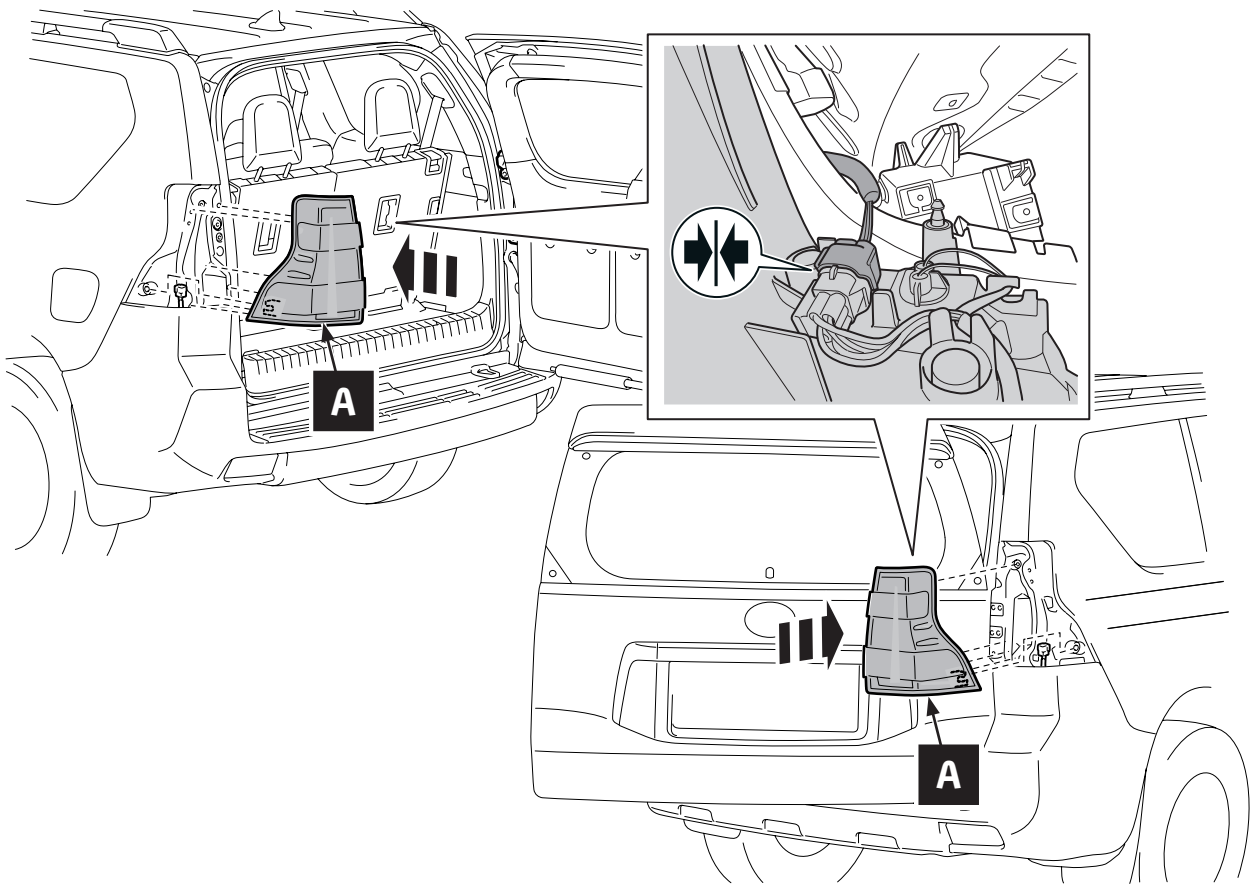
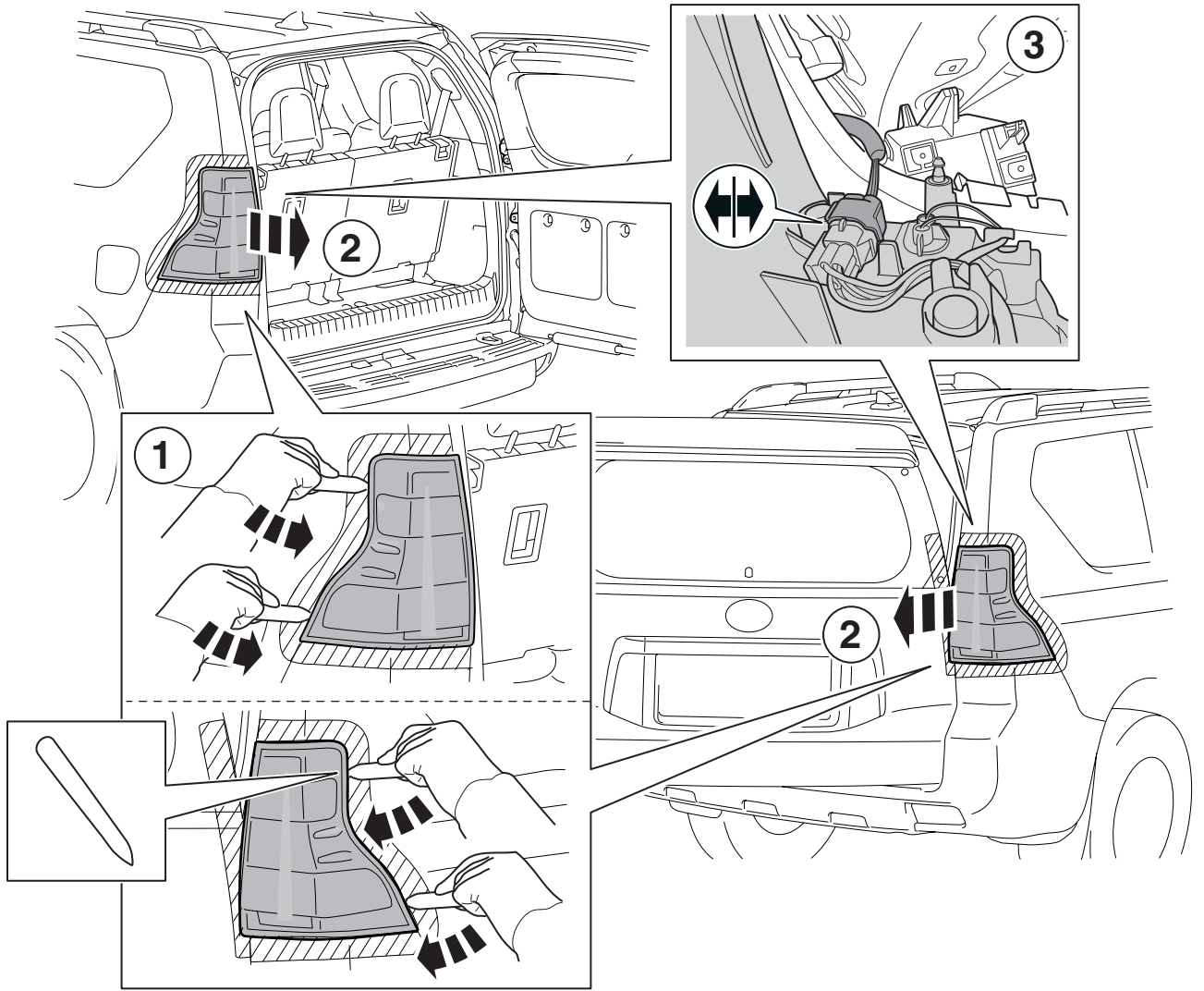
1

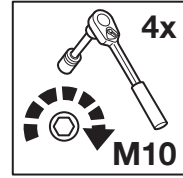
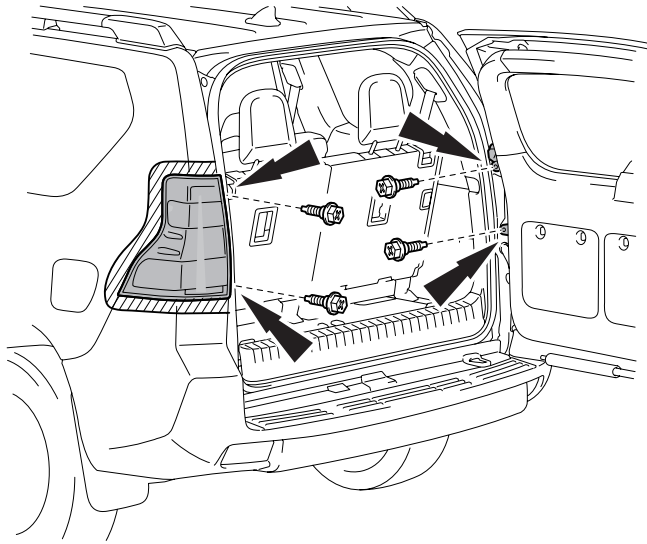


2

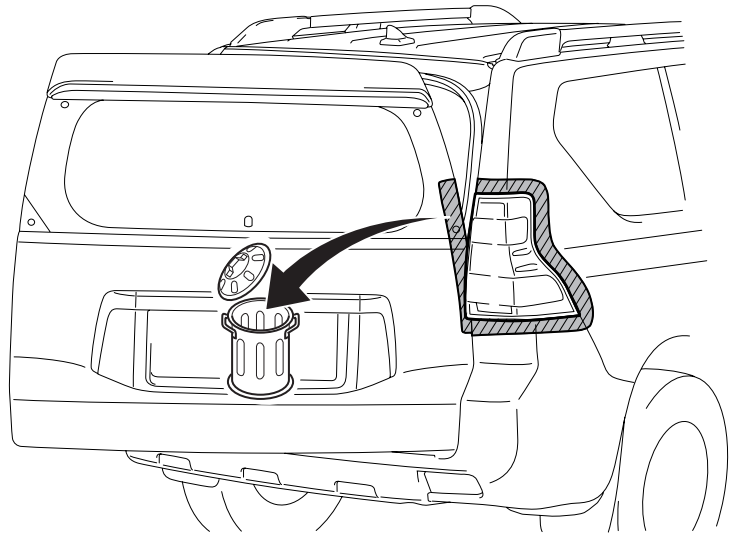
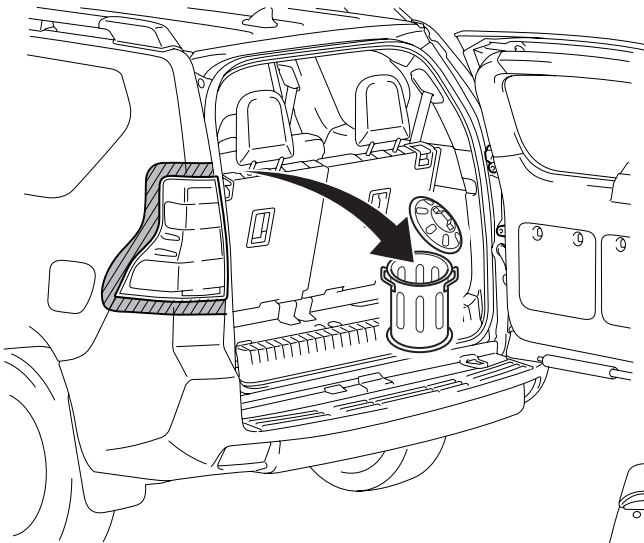


3

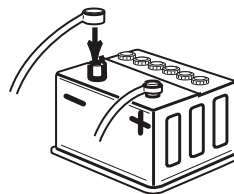
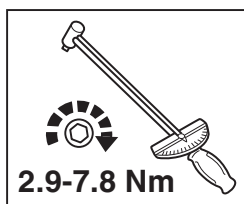




6



7



8

# CHECK SHEET




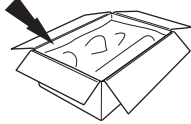
**TOYOTA**


Model / Year Land Cruiser 2013/08 Clear combi lights

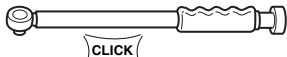
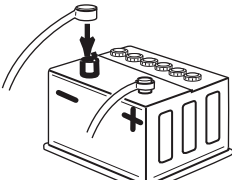
VIN n°

ALWAYS A  
BETTER WAY


 **P/N = OK**

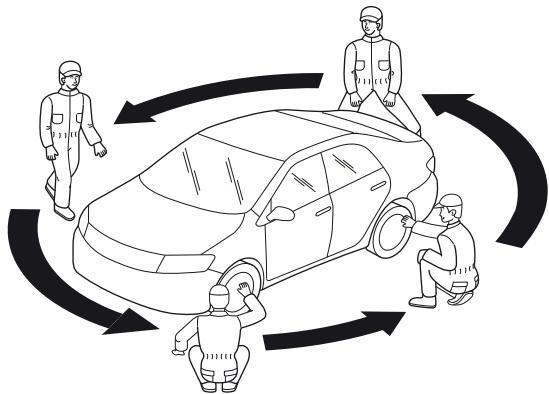







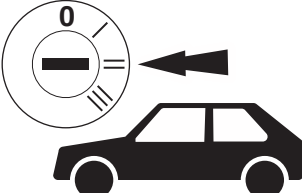




 **8**



**Serial Number**





  = OK

Installation Date:

. . . / . . . / . . . .

Technician Name & Signature:

Stamp: