

Universal

Dog Hammock

Installation Instructions

Model year: UNIVERSAL APPLICABILITY
Vehicle code:

Part number: PZ4L0-H5120

Manual reference number: AIM 005 235-0

Revision Record

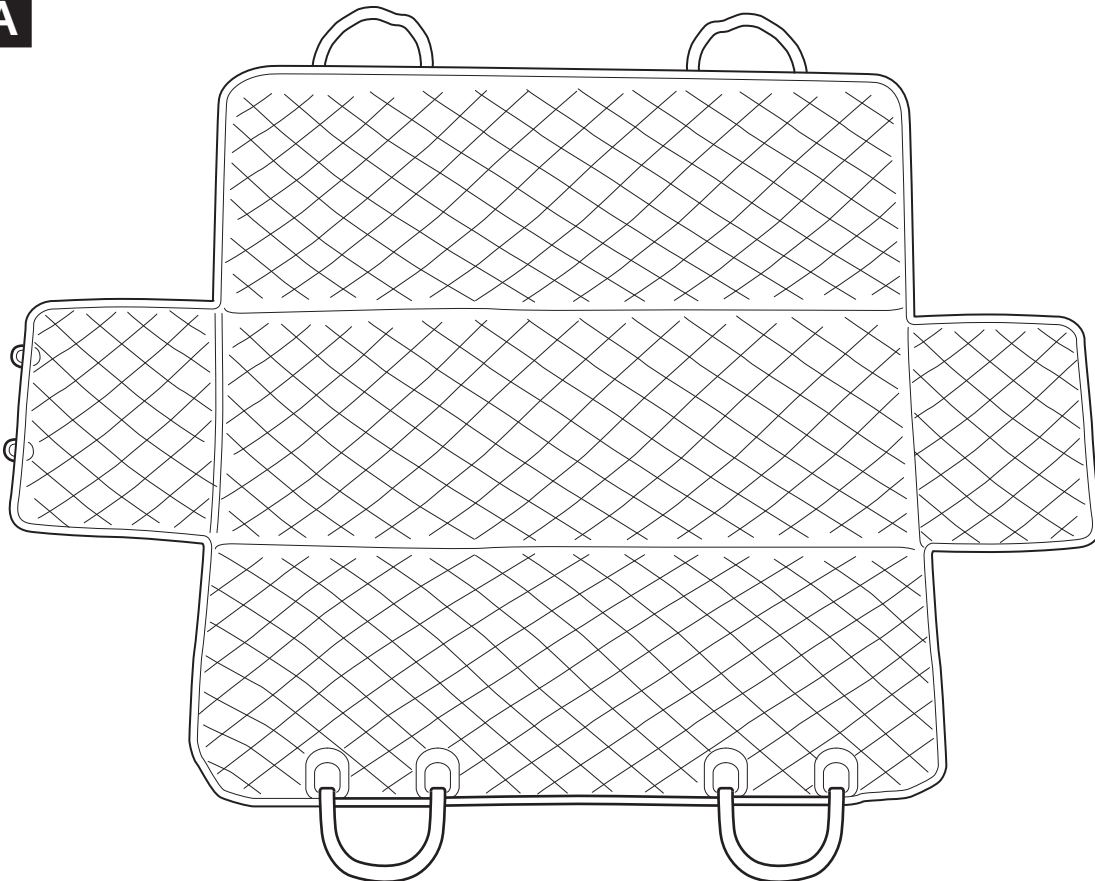
| Rev. No. | Date | Page | Step | Remarks |
|----------|------|------|------|---------|
| | | | | |
| | | | | |
| | | | | |
| | | | | |
| | | | | |
| | | | | |
| | | | | |
| | | | | |
| | | | | |

KIT CONTENT

PZ4L0-H5120

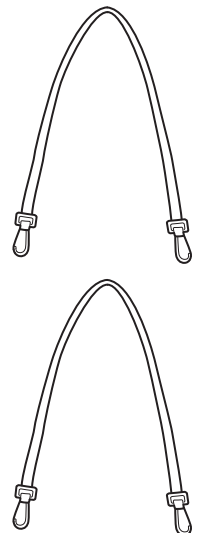


A



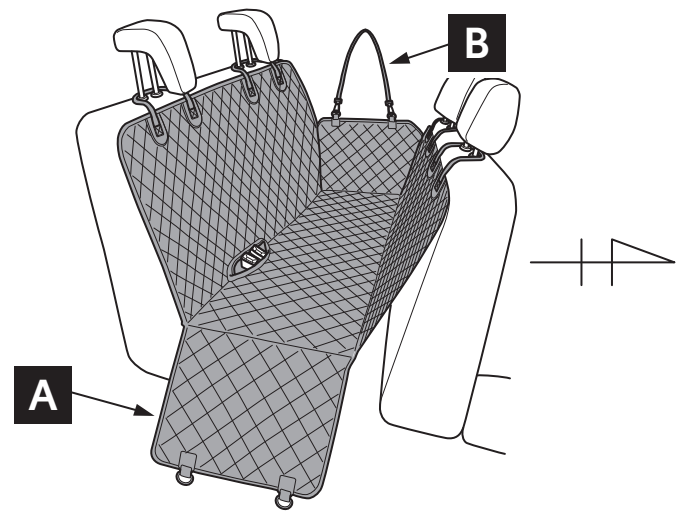
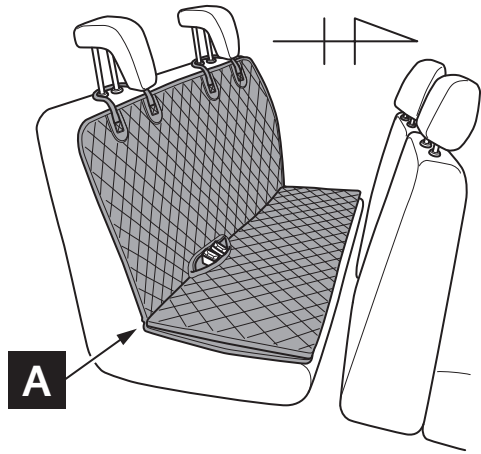
1x

B

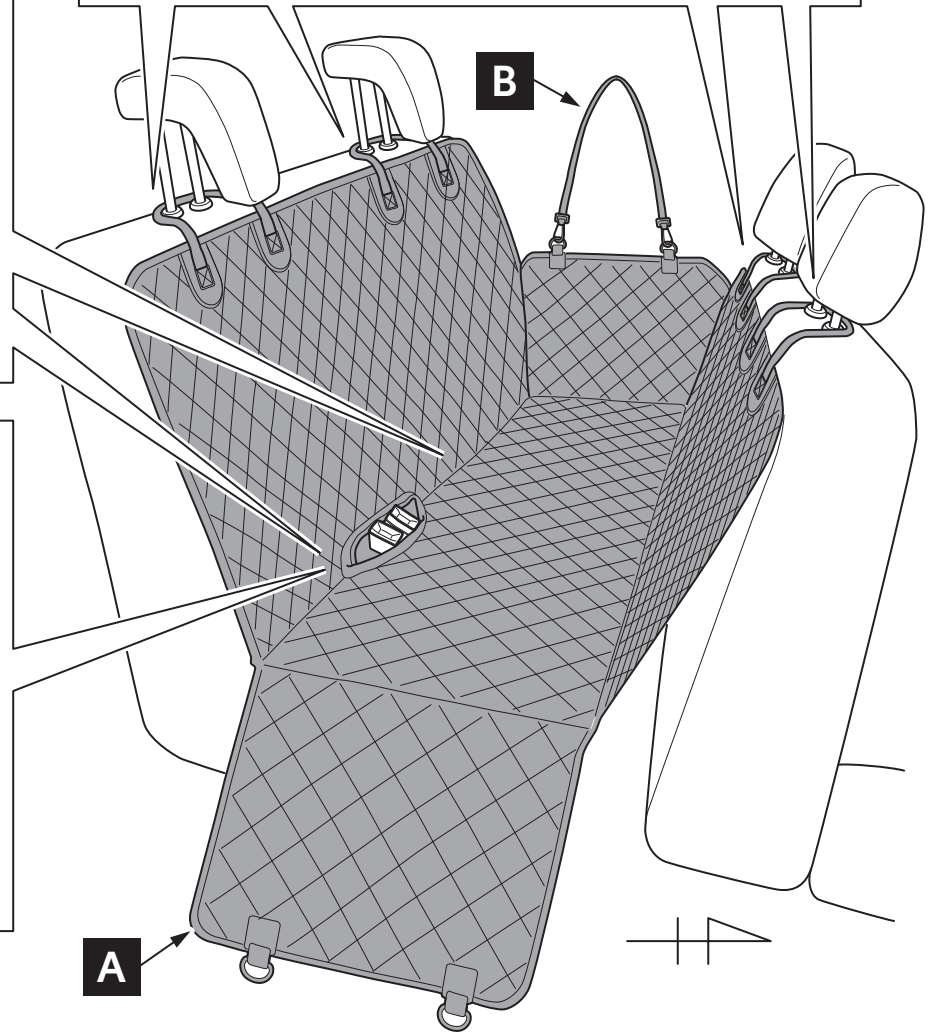
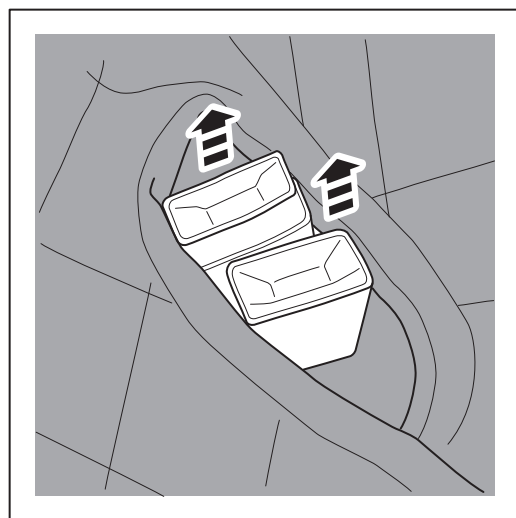
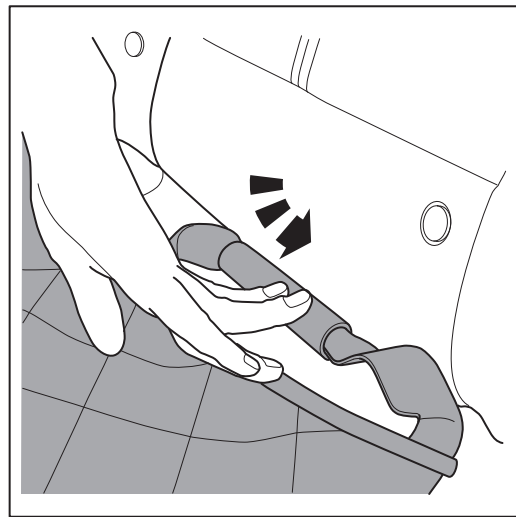
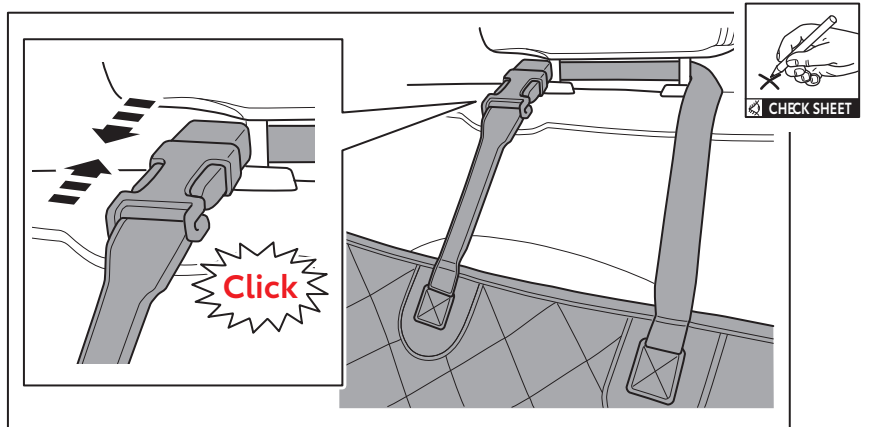


2x

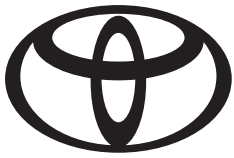
OVERVIEW



INSTALLATION INSTRUCTIONS



1



CHECK SHEET

Page 1 of 1

Dog Hammock

Model/Year UNIVERSAL APPLICABILITY

VINn°

DURING INSTALLATION

1

= OK
P/N = OK

2

= OK

AFTER INSTALLATION

1

= OK

Installation Date:
.. / .. /

Technician Name & Signature:

Stamp:

