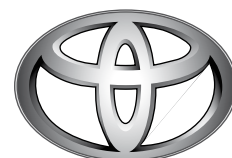


Auris Touring Sport Hybrid

N1Kit TDK with Steel Separator

Installation instructions



TOYOTA

ALWAYS A
BETTER WAY


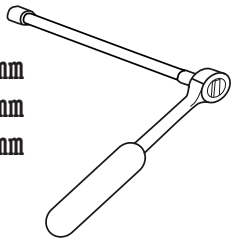
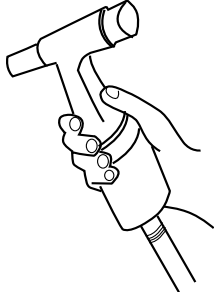
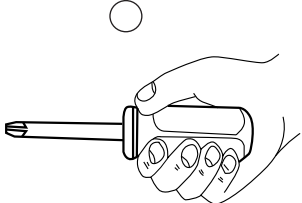

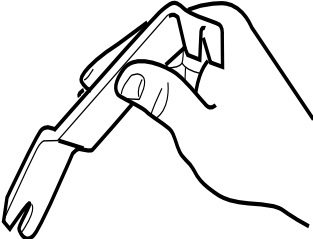
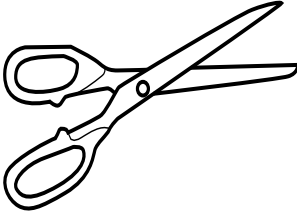
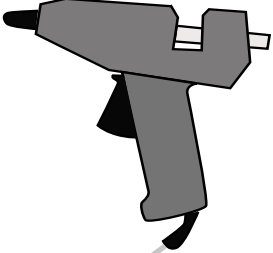
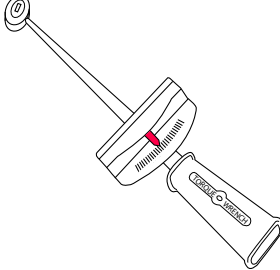
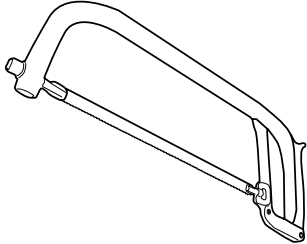
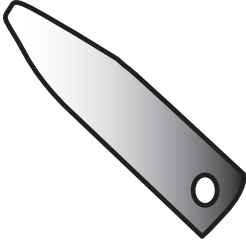
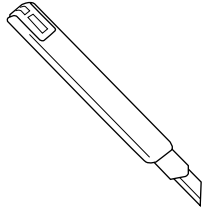
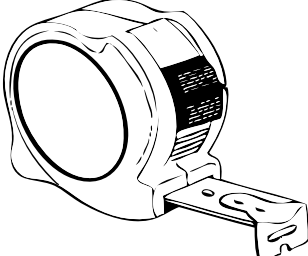
Model year: 2013/06 , 2015/05
Vehicle code: ZWE186L-DWX*8W
Part number: PZ449-E5E31-00
Weight: 34,6 kg

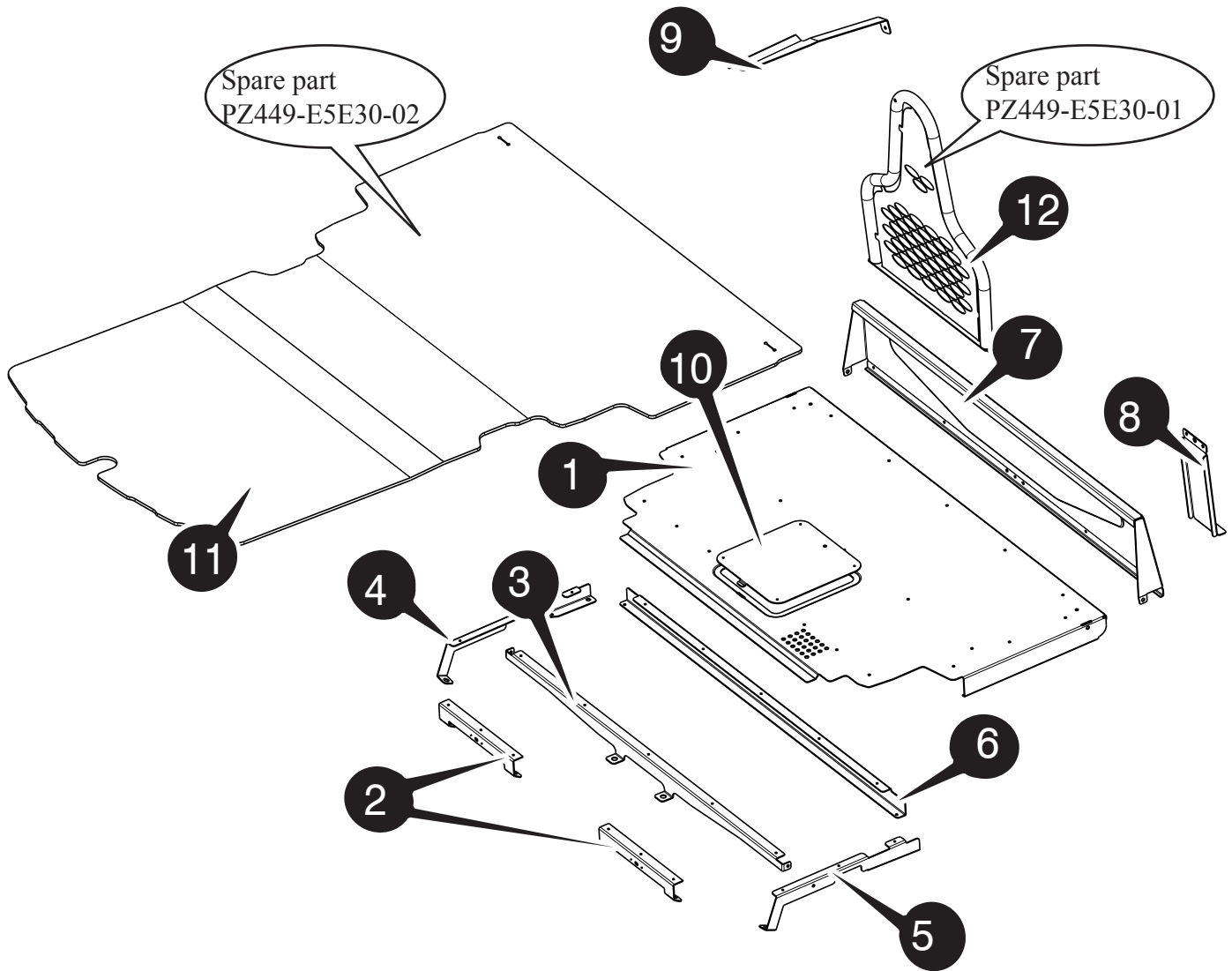
Manual reference number: AIM 003 231-6

Revision Record

Rev nr	Date	Page	Picture	Update	New	Deleted steps
1	2015-03-09	1	Model year, Vehicle code	x		
2	2015-03-11	9	29	x		
3	2015-05-26	11	40,41		x	
3	2015-05-26	19		x		
4	2015-06-02	19		x		
5	2016-07-04	5 17 18,19 20	Fitting kit 74,76,77,78,79,80 89	x	x x	70,71,72 83,84 85,86,87,88
6	2016-09-12	11	34,35	x		

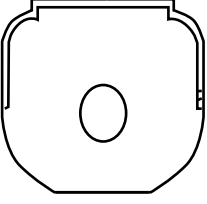

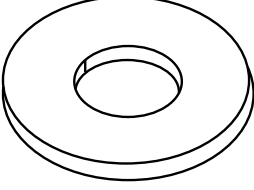
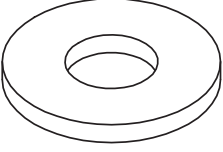
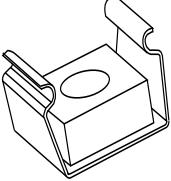
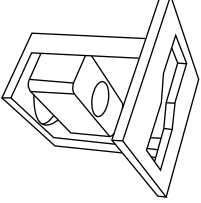
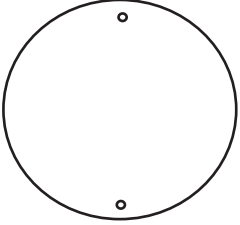
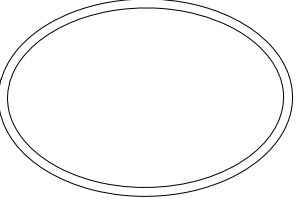
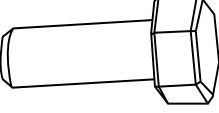
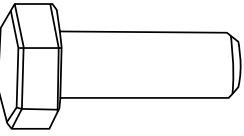
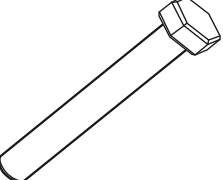
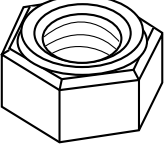
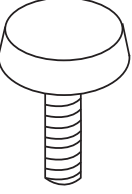
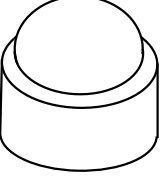
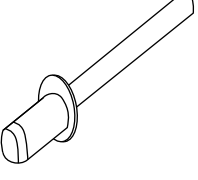
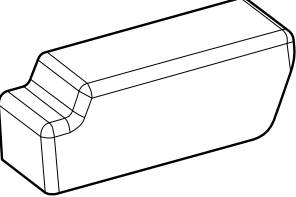
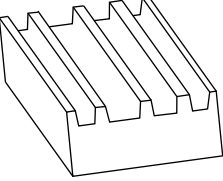
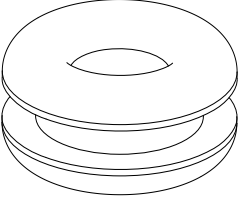
Tools

	<p>10mm 12mm 14mm</p> 		
10mm 			
			
			

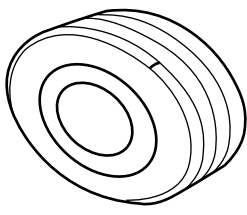


Bill of Material: 15008640			
Number	Quantity	Part Number	Definition
1	1	15008641	Front floor
2	2	15008642	Floor support Rear
3	1	15008645	Floor support Middle
4	1	15008646	Floor support LH
5	1	15008647	Floor support RH
6	1	15009047	Front beam
7	1	15008648	Lower seperator
8	1	15008649	Floor support front
9	1	15008650	Handle bracket
10	1	15008651	Floor hatch fuelpump
11	1	15008654	Full carpet floor
12	1	15009046	Half Top Tube Separator
13	1	15008655	Fitting kit - Hybrid

Spare part - PZ449-E5E31-60

<p>1. A 500252 2 PCS</p> 	<p>2. A 500250 2 PCS</p> 	<p>3. A 6,4x15x1,5 12 PCS</p> 
<p>4. A 6,4x15x1,5 S 16 PCS</p> 	<p>5. A 123-M6-2C ZC 7 PCS</p> 	<p>6. A MP 8236A 2 PCS</p> 
<p>7. A 15008672 2 PCS</p> 	<p>8. A 05-97062 2 PCS</p> 	<p>9. A 6x16 6K 5 PCS</p> 
<p>1. B 6x20 6K 12 PCS</p> 	<p>2. B 6x45 6K 1 PCS</p> 	<p>3. B 6 NMU 10 PCS</p> 
<p>4. B M6x20 Rattskrue 1 PCS</p> 	<p>5. B 221 M06SW10 S 13 PCS</p> 	<p>6. B 5x12 NSS 26 PCS</p> 
<p>7. B 05100973 2 PCS</p> 	<p>8. B 36.721004 5,7 m</p> 	<p>9. B 042 0601 2 PCS</p> 

Spare part - PZ449-E5E31-60

<p>1.C 561 528 2 PCS</p> 		

1.



2.



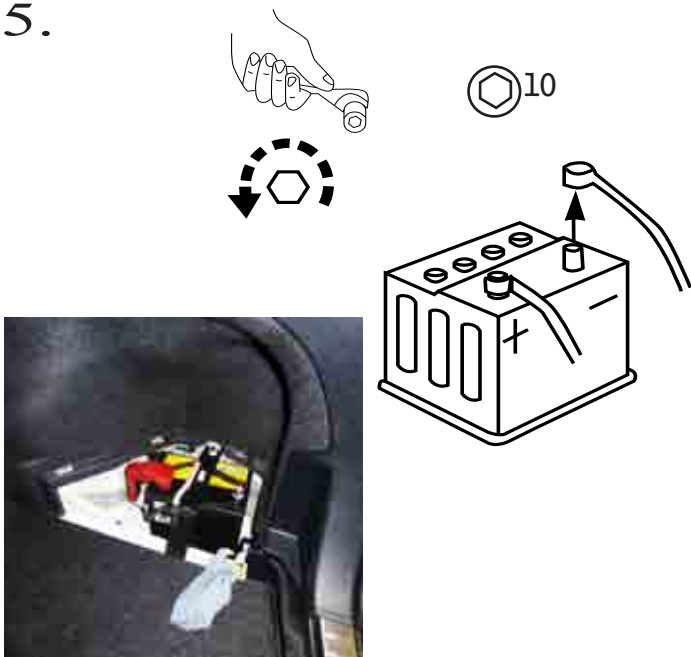
3.



4.

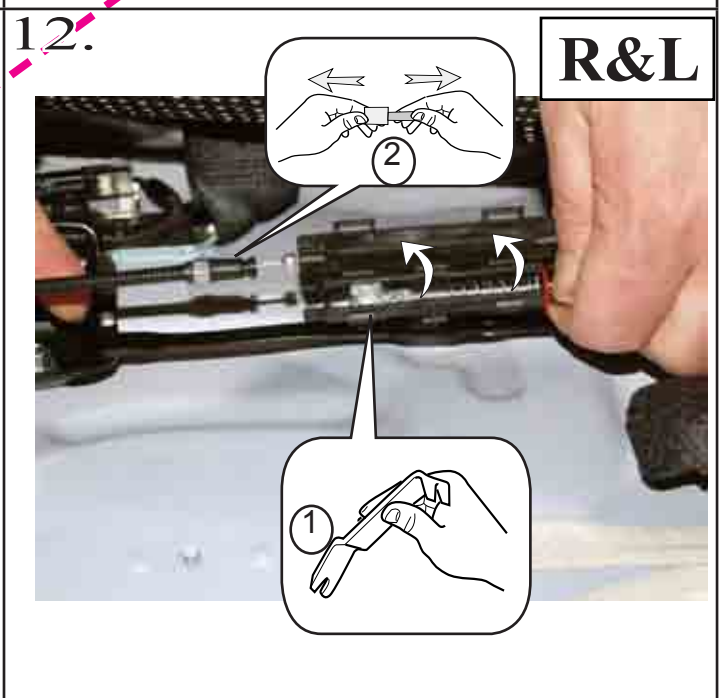
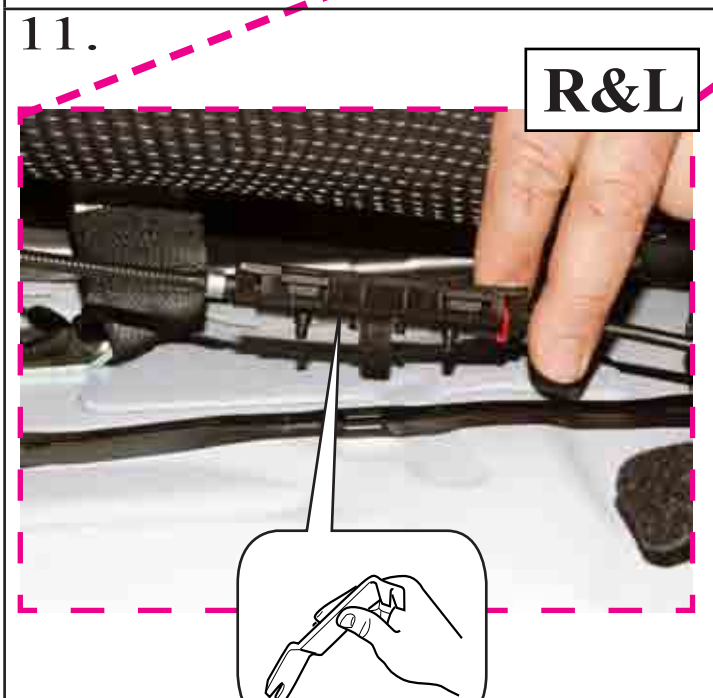
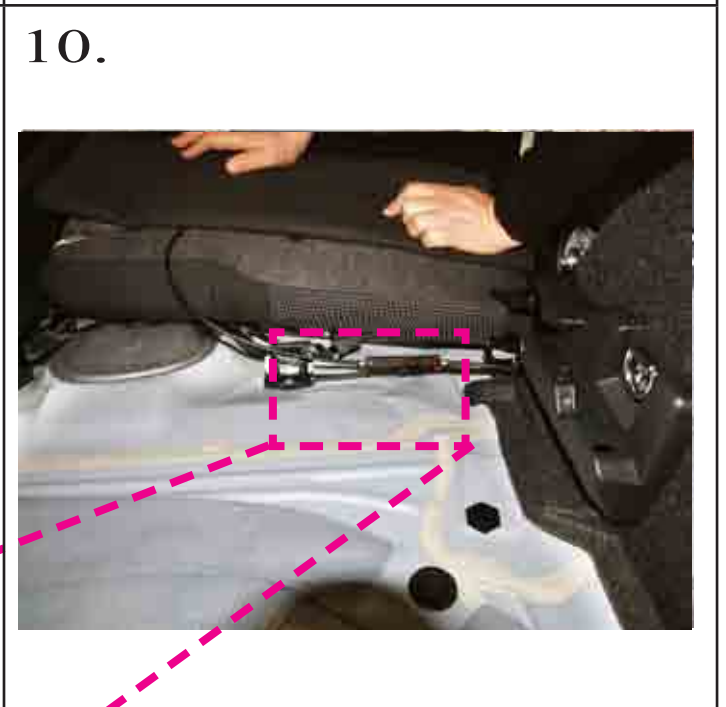
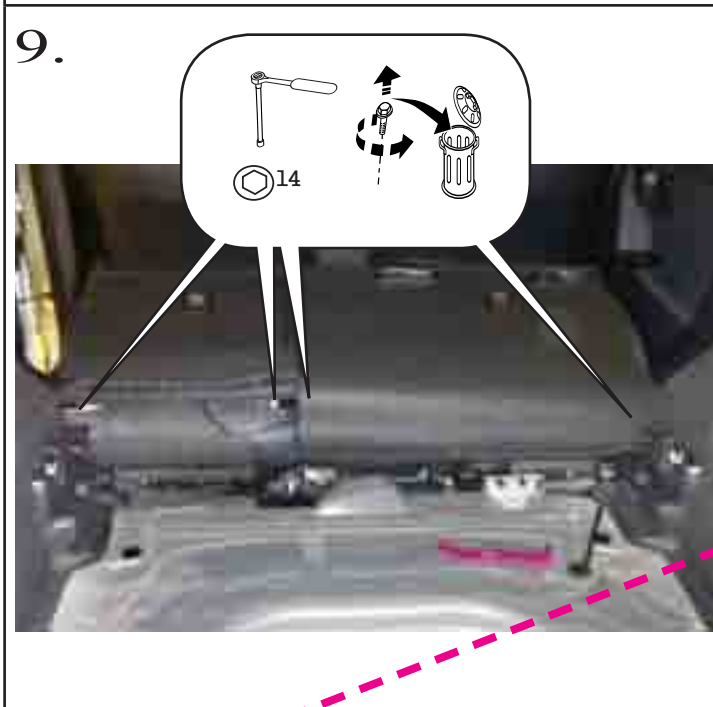


5.



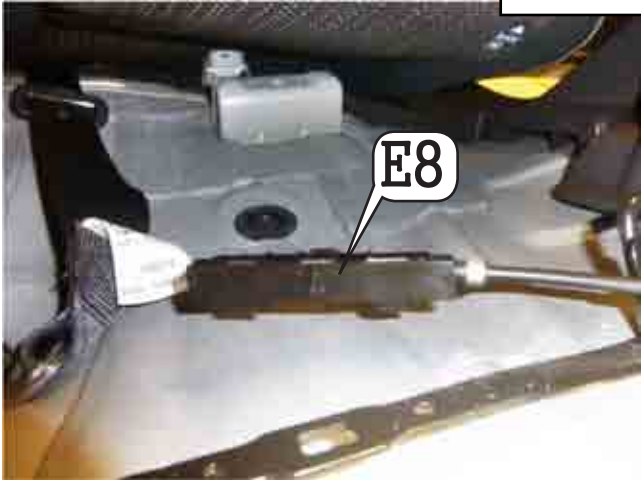
6.





13.

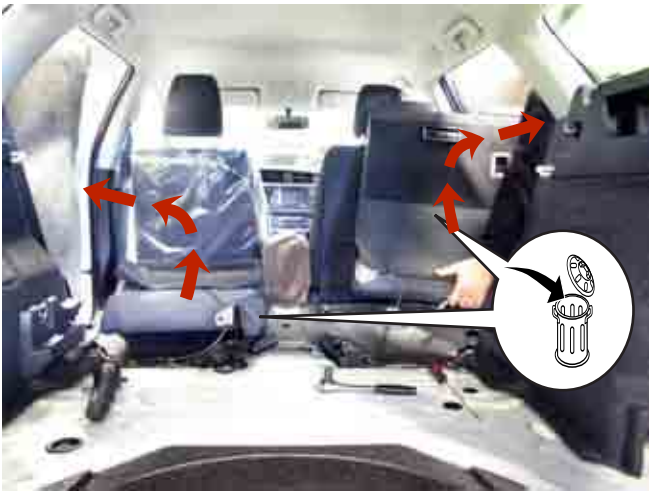
R&L



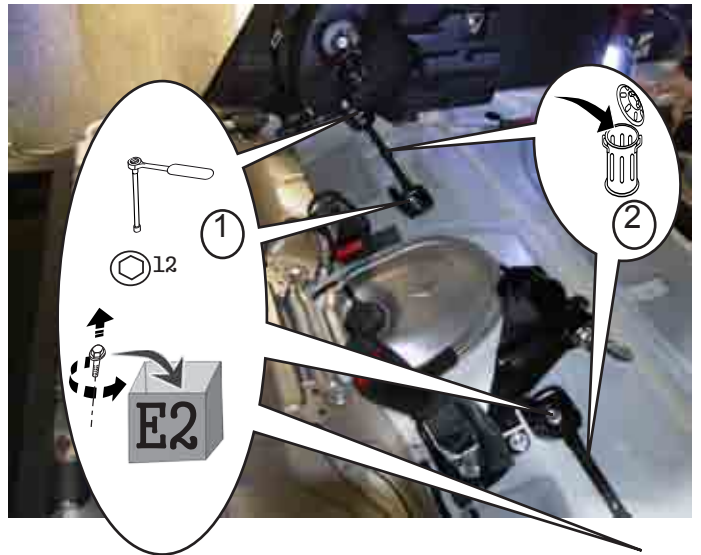
14.



15.



16.

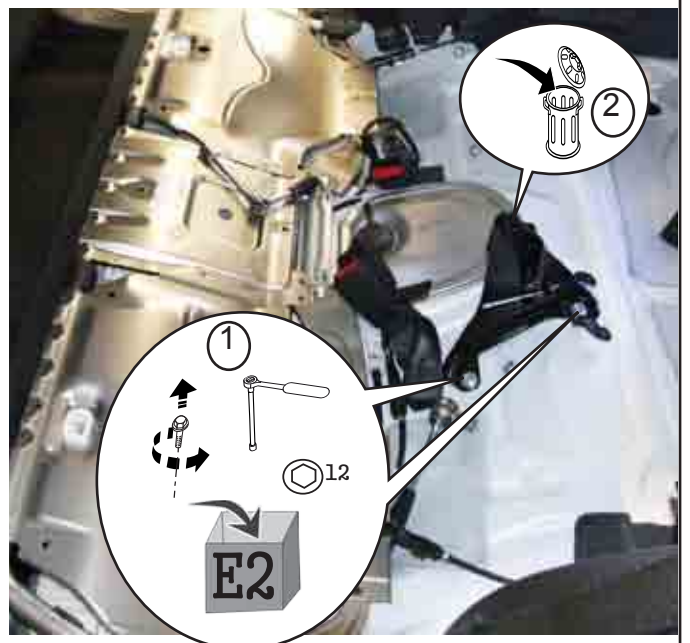


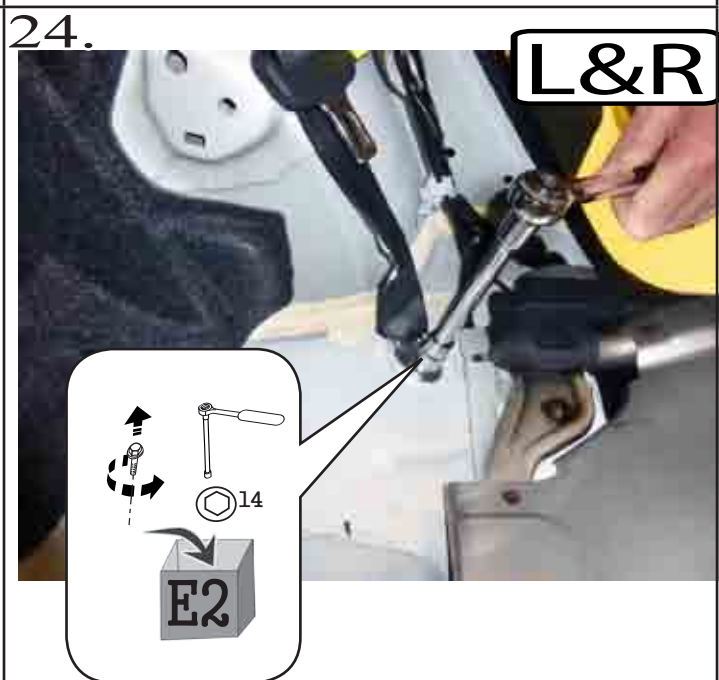
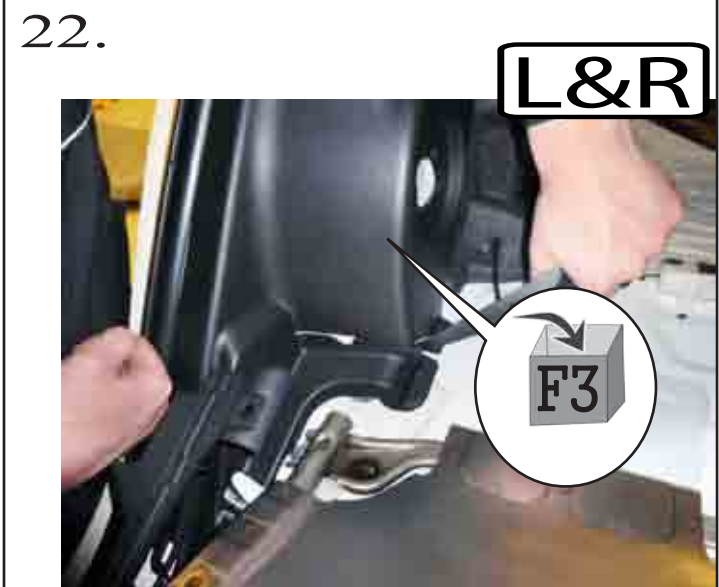
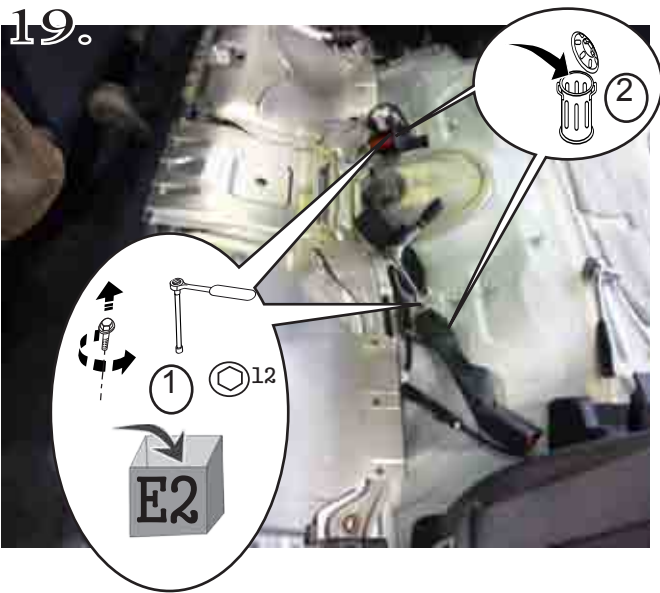
17.

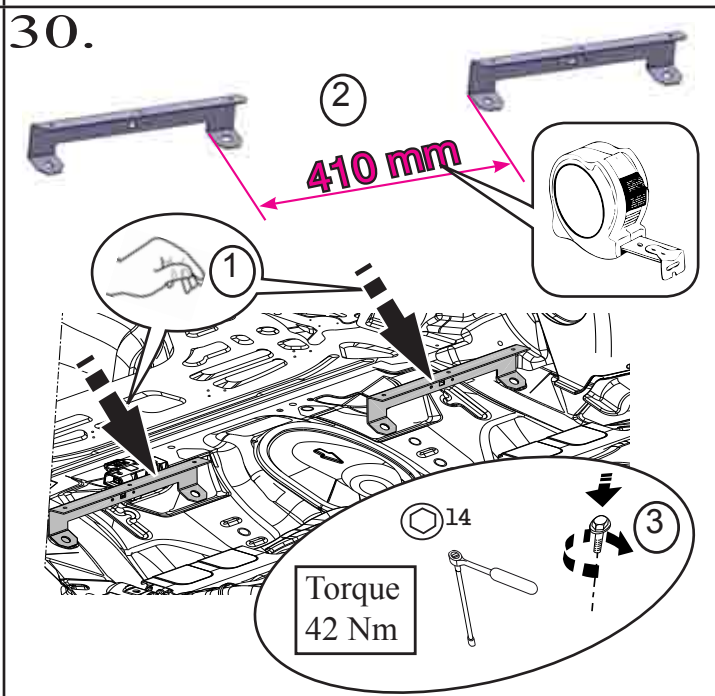
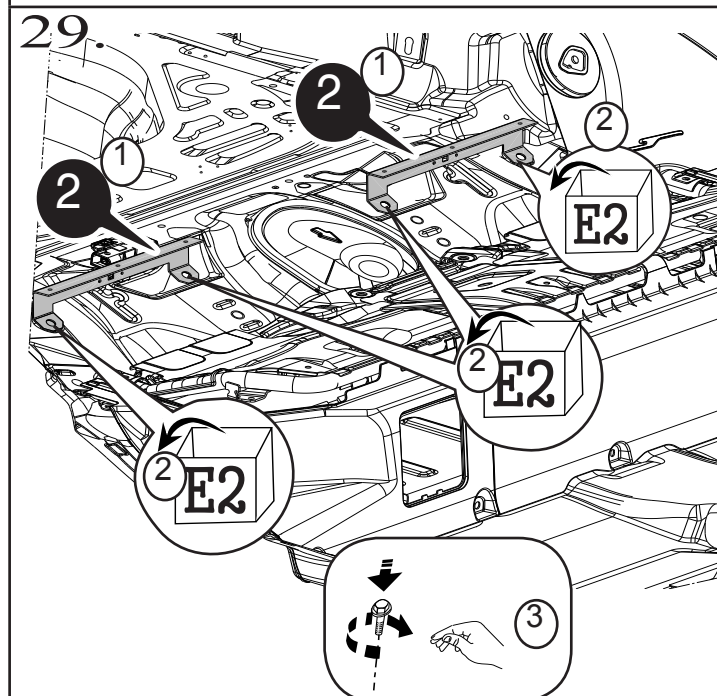
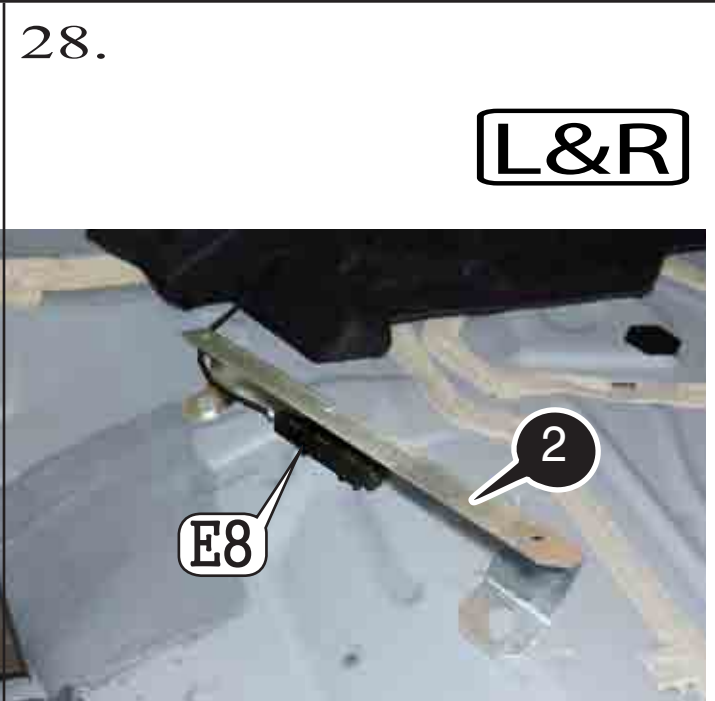
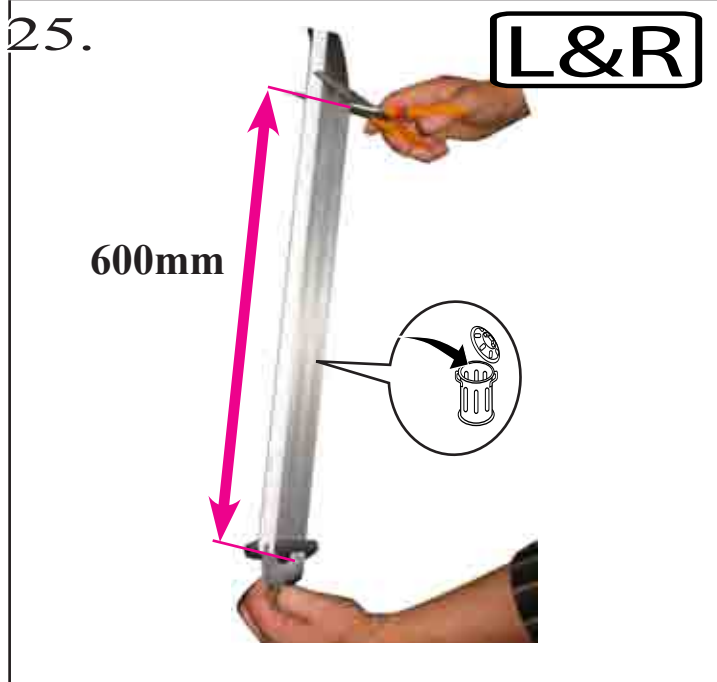
L&R

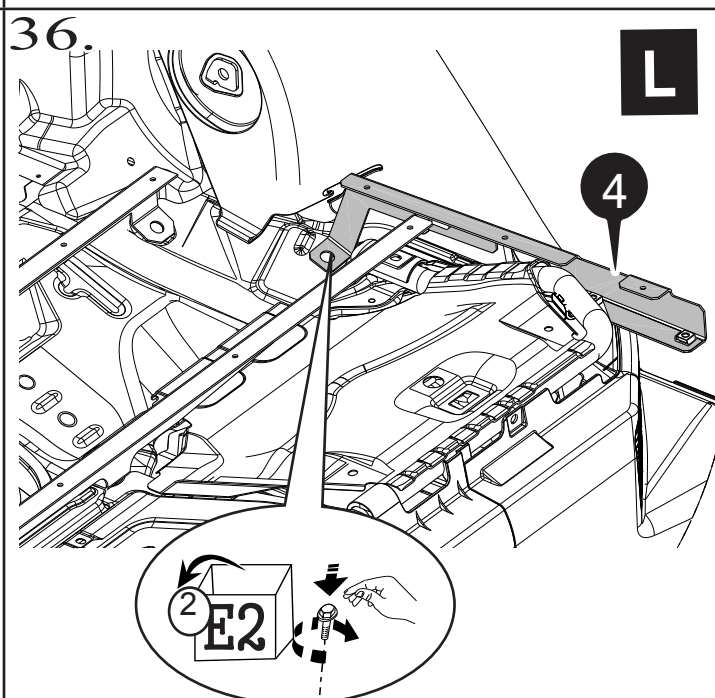
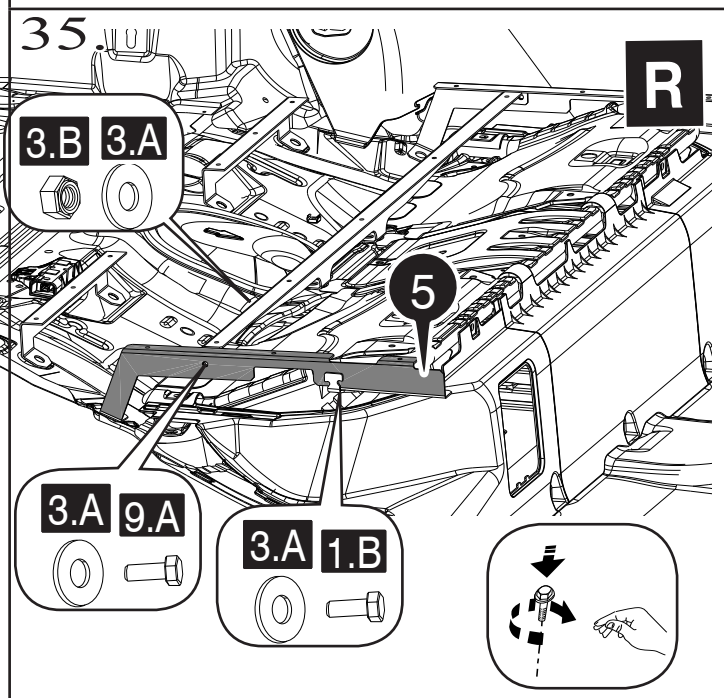
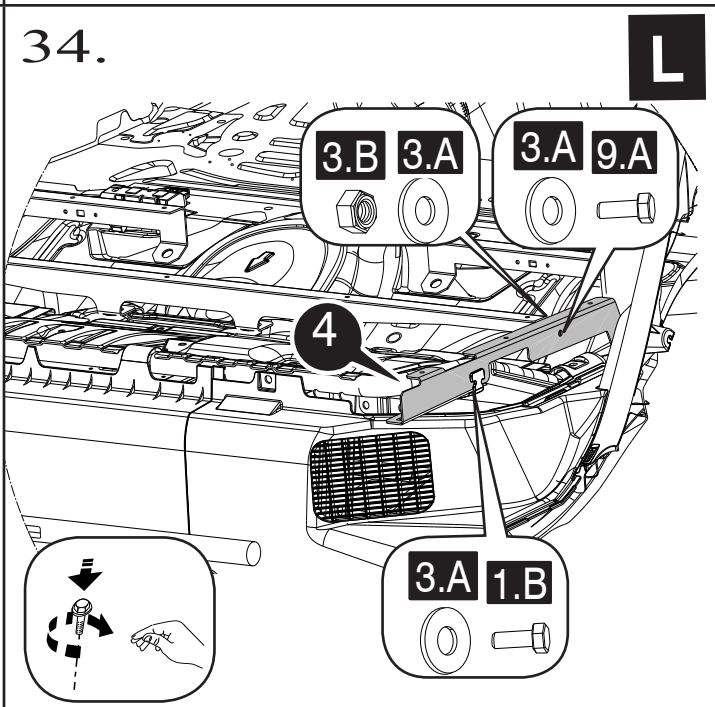
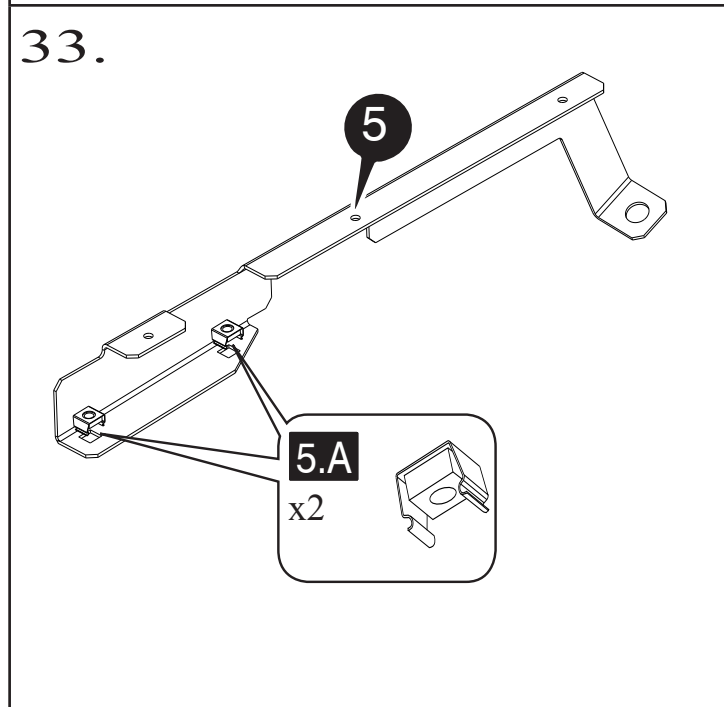
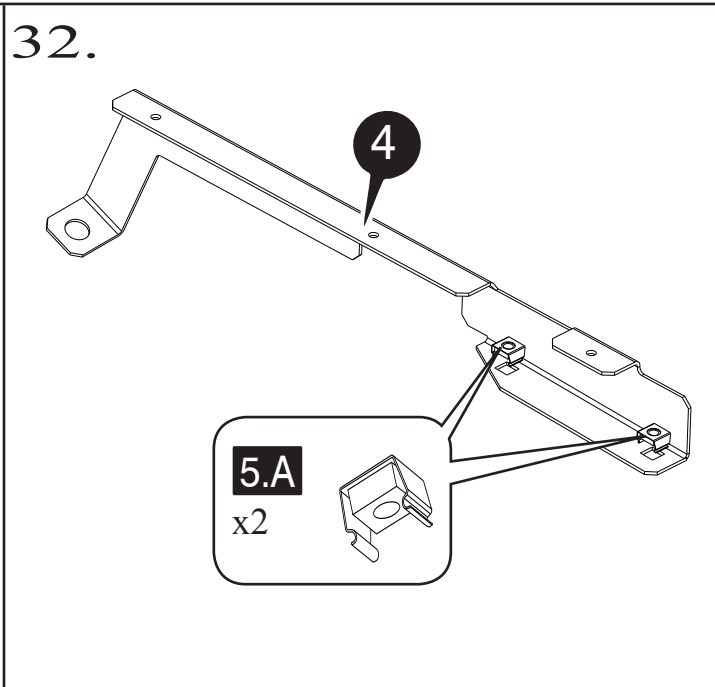
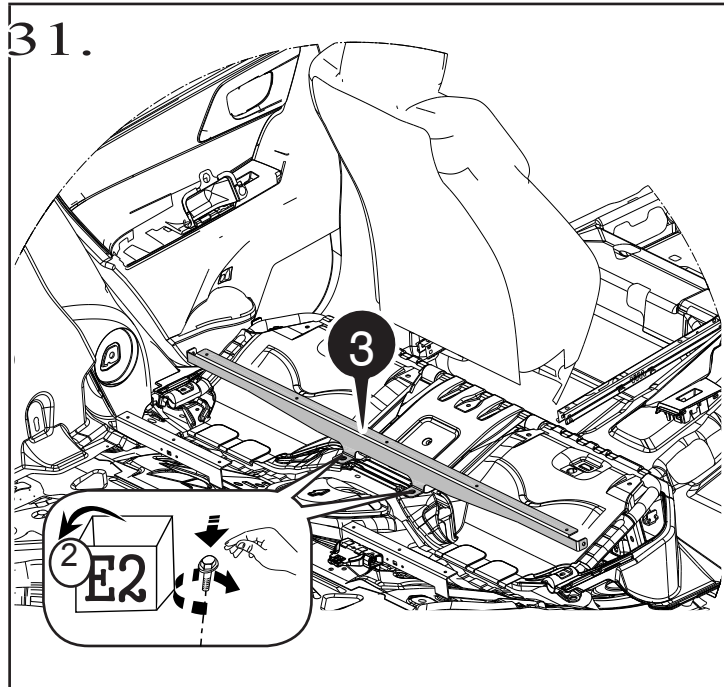


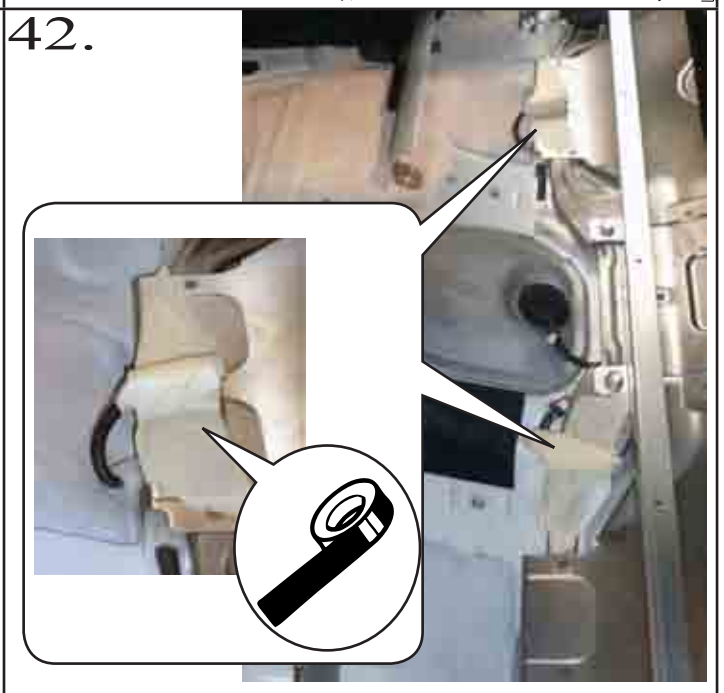
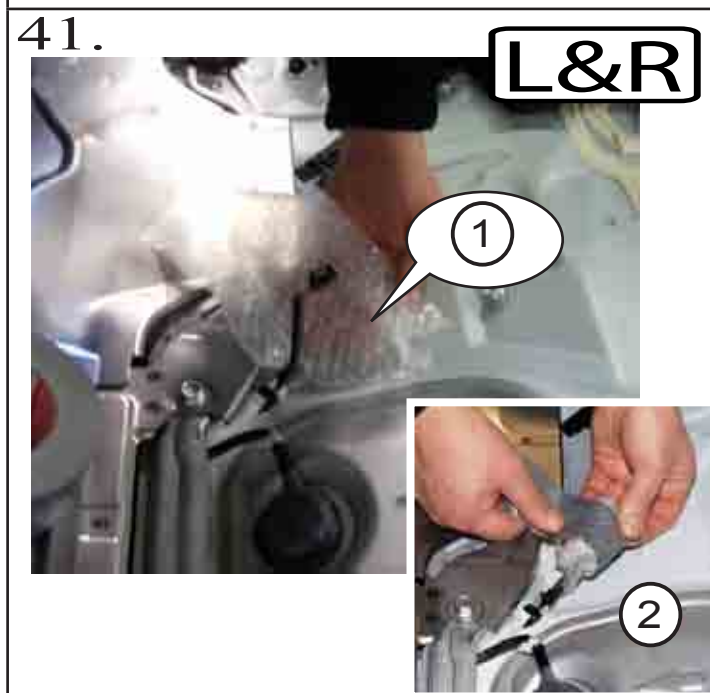
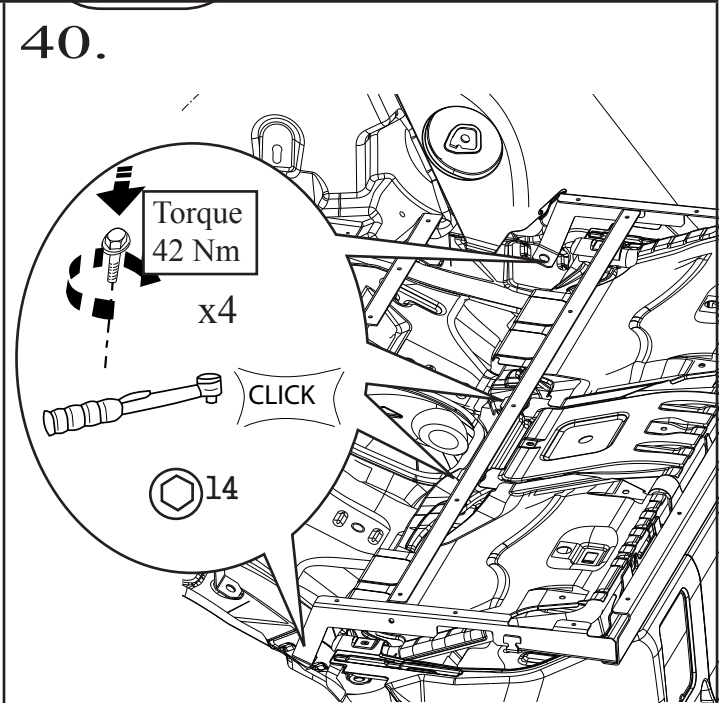
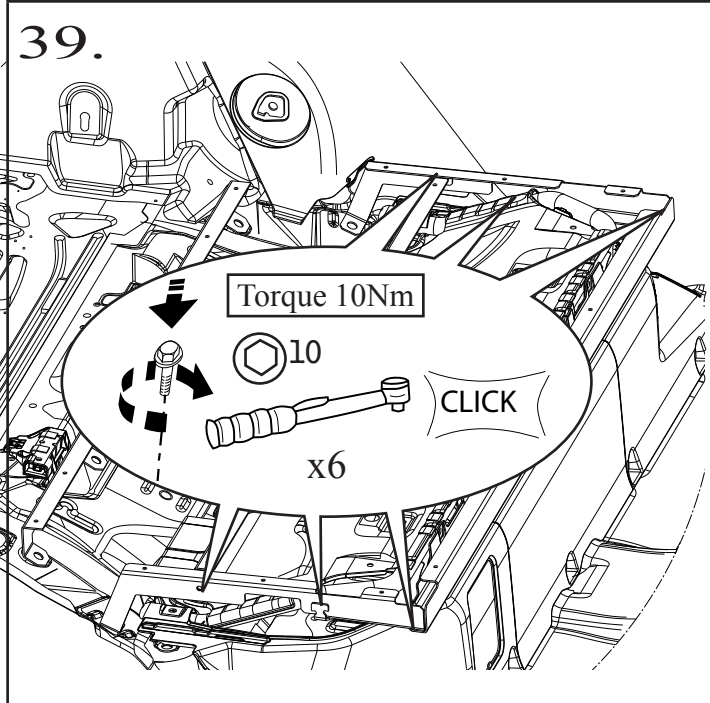
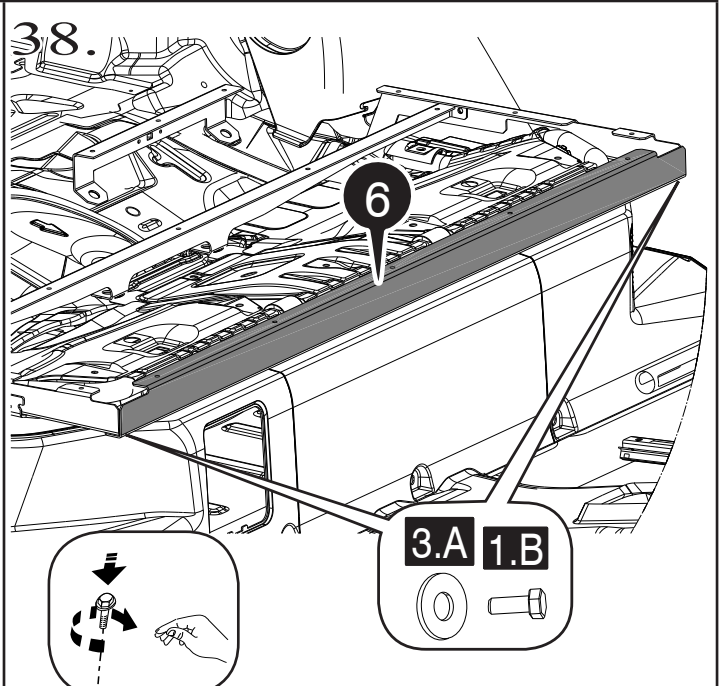
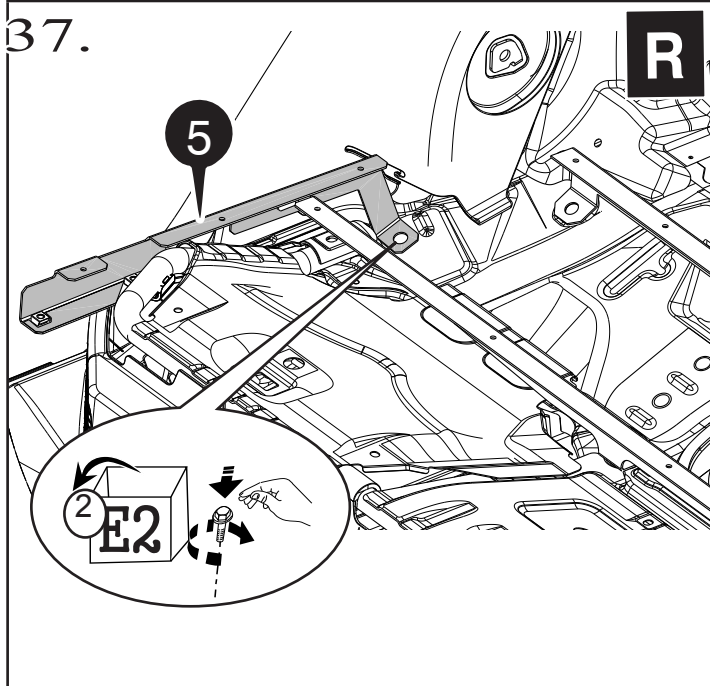
18.

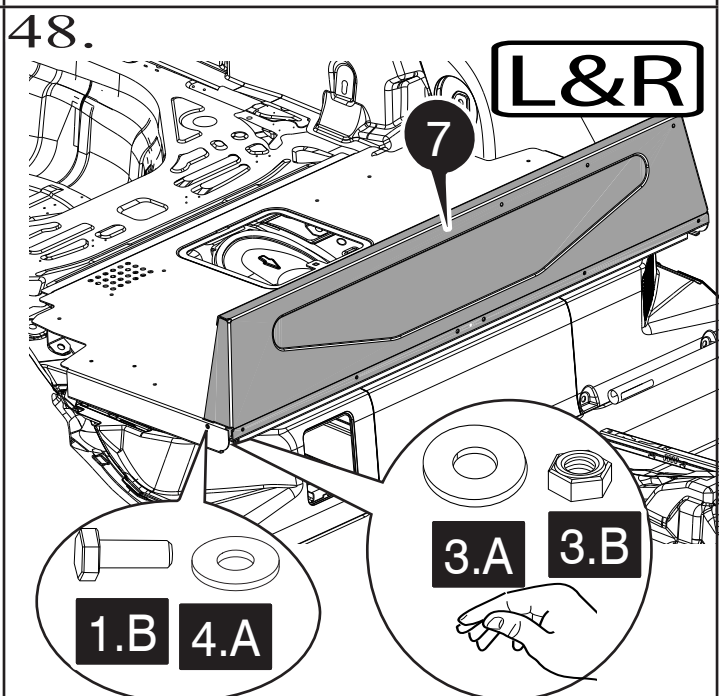
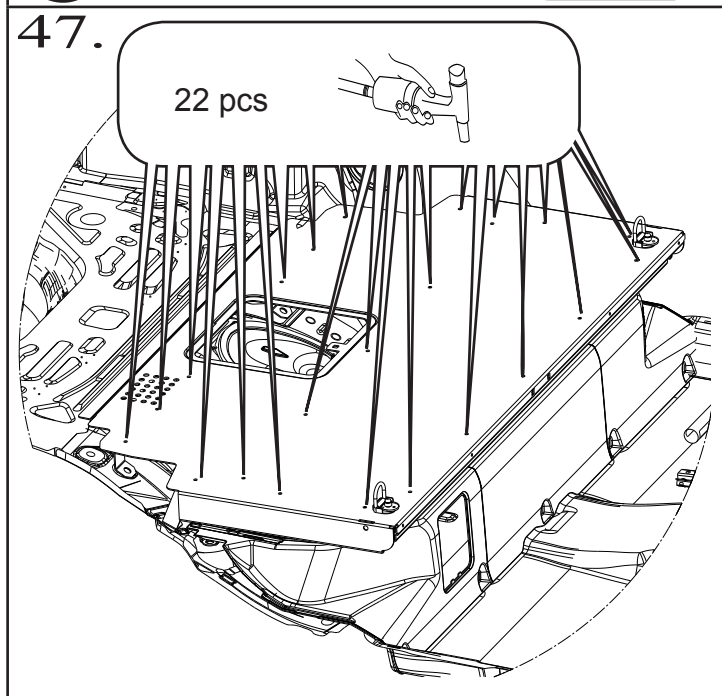
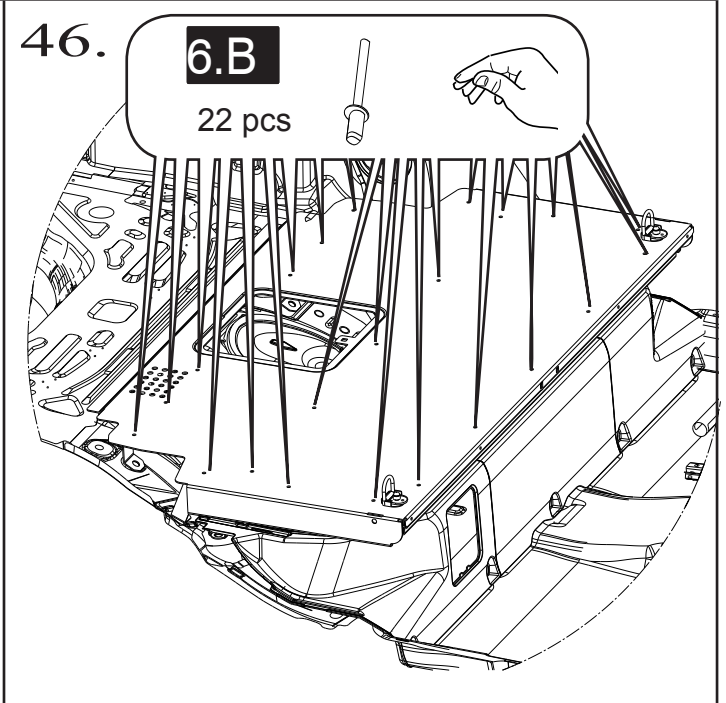
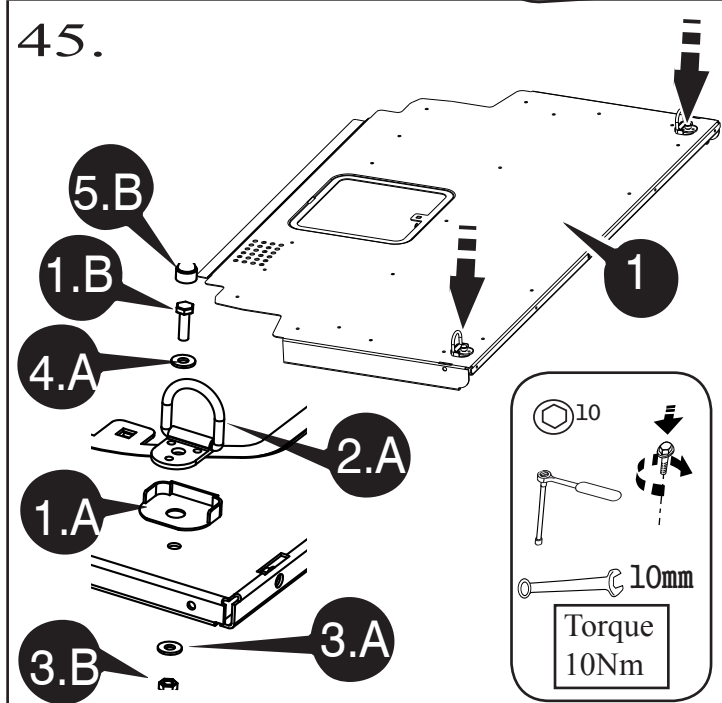
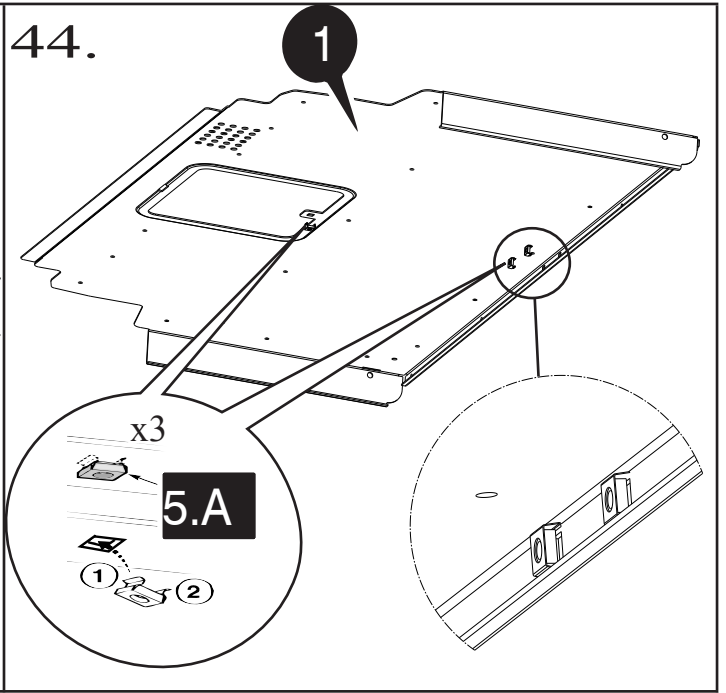
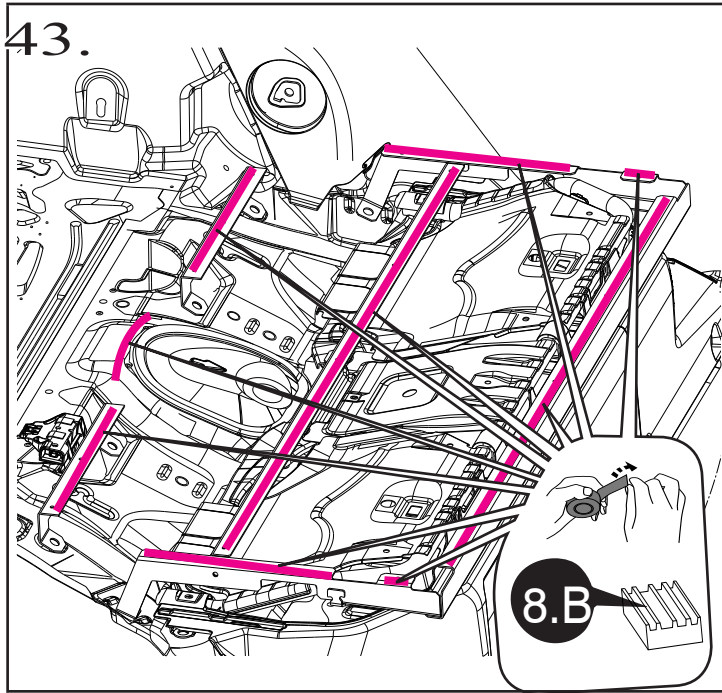


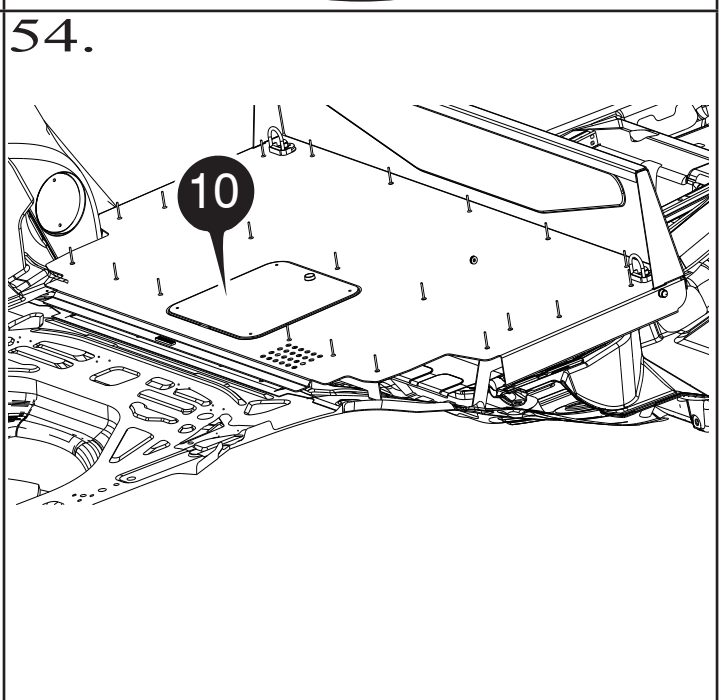
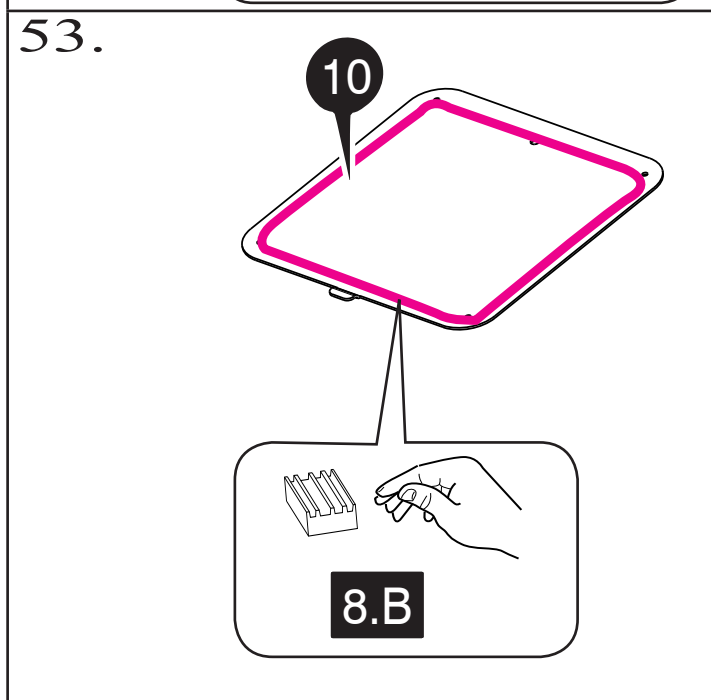
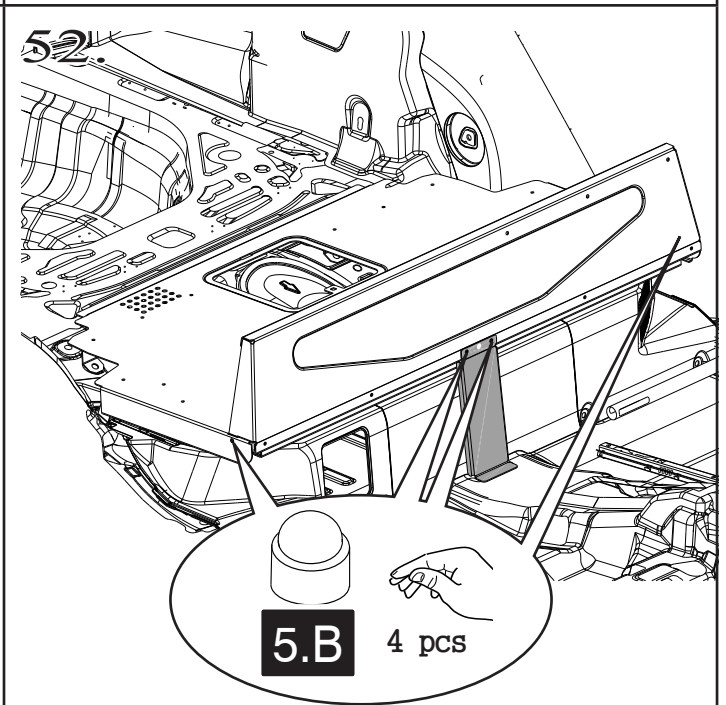
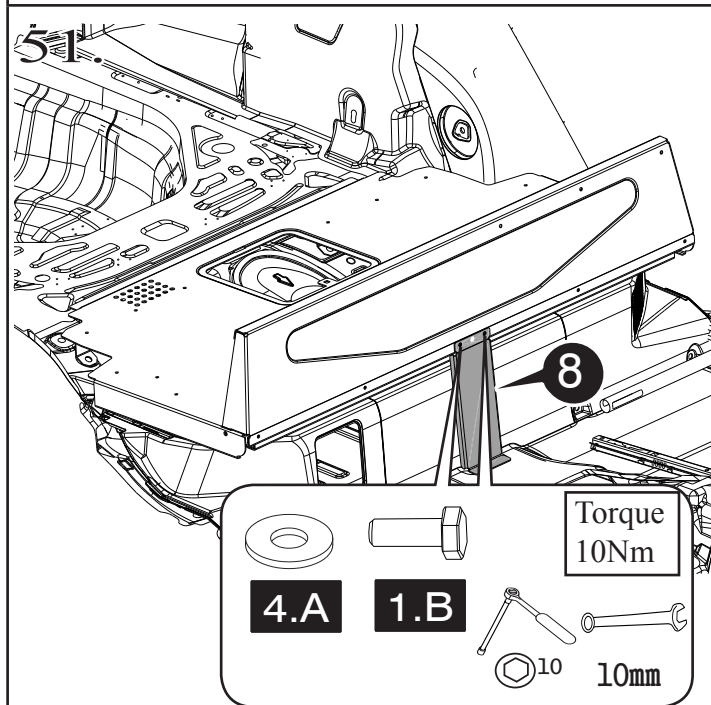
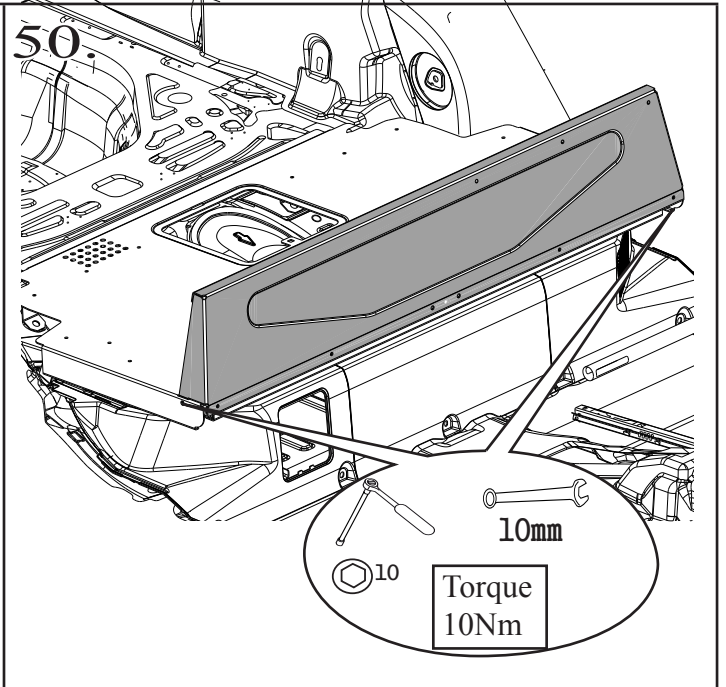
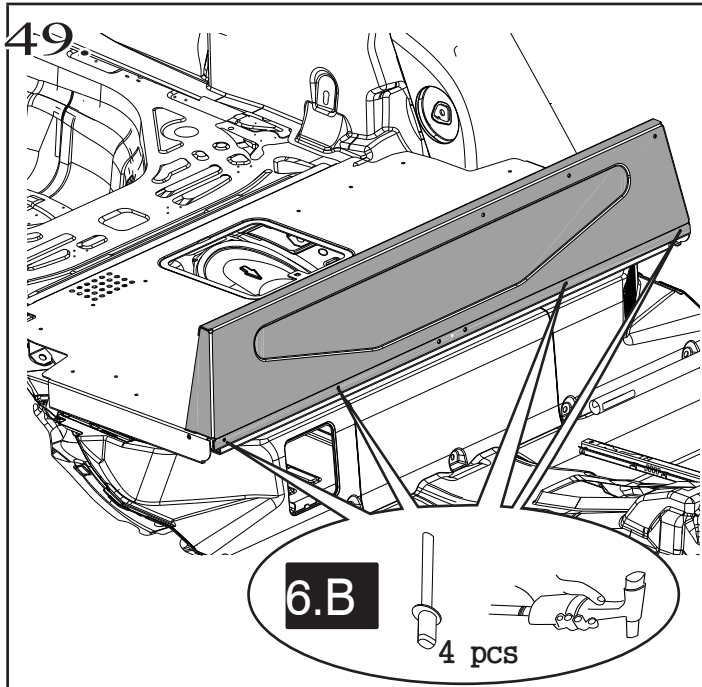


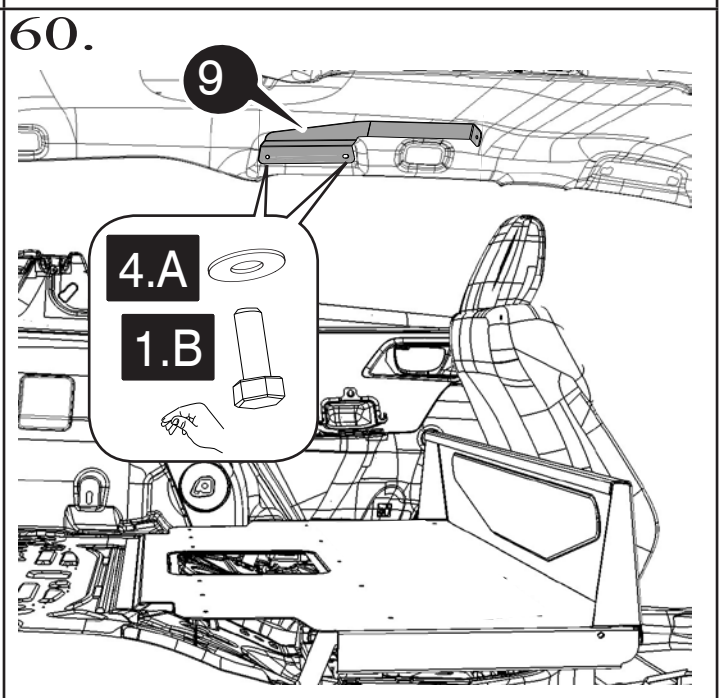
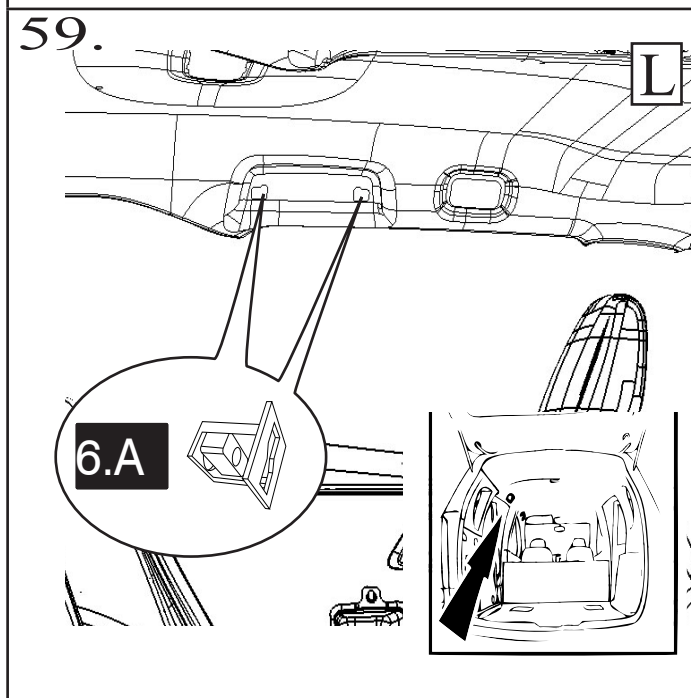
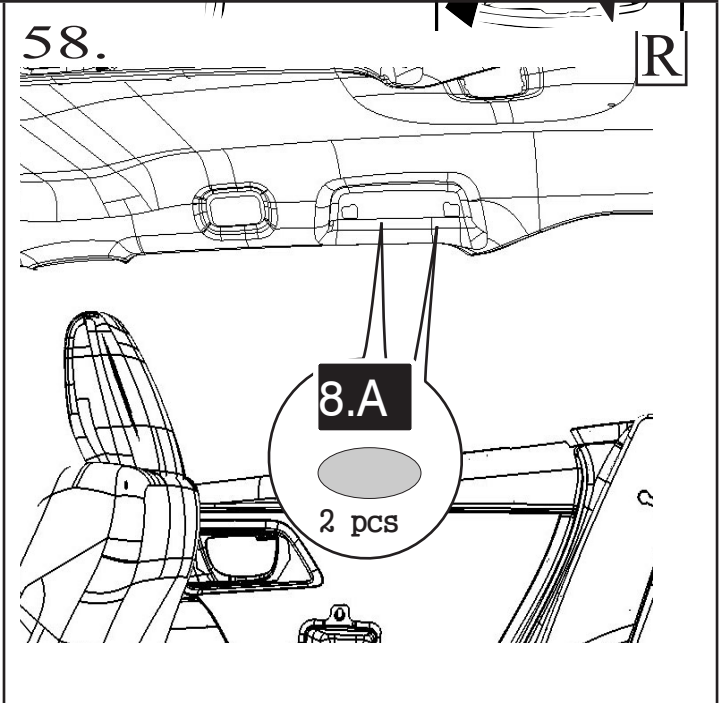
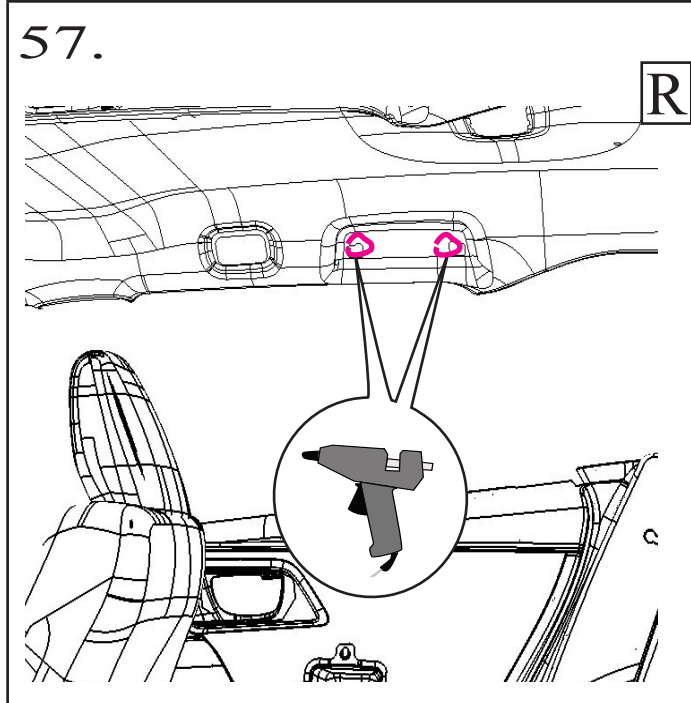
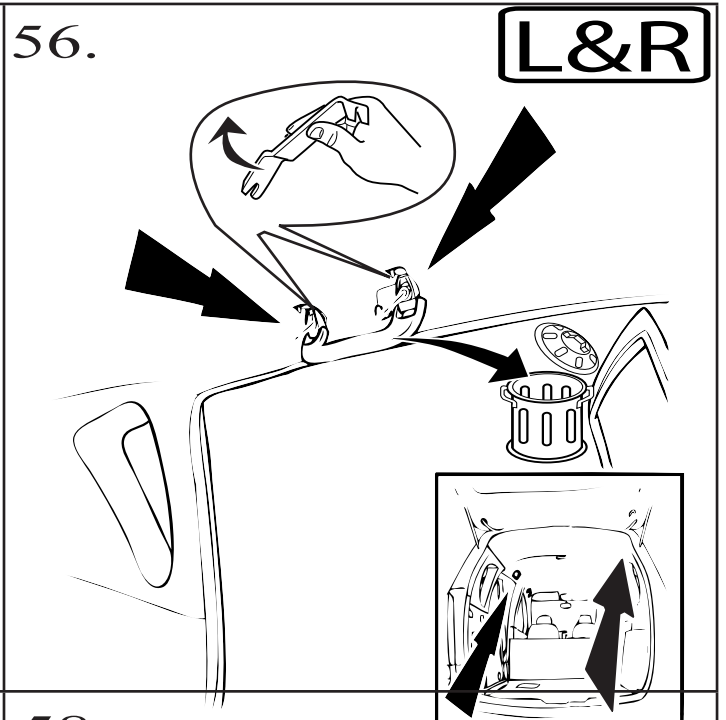
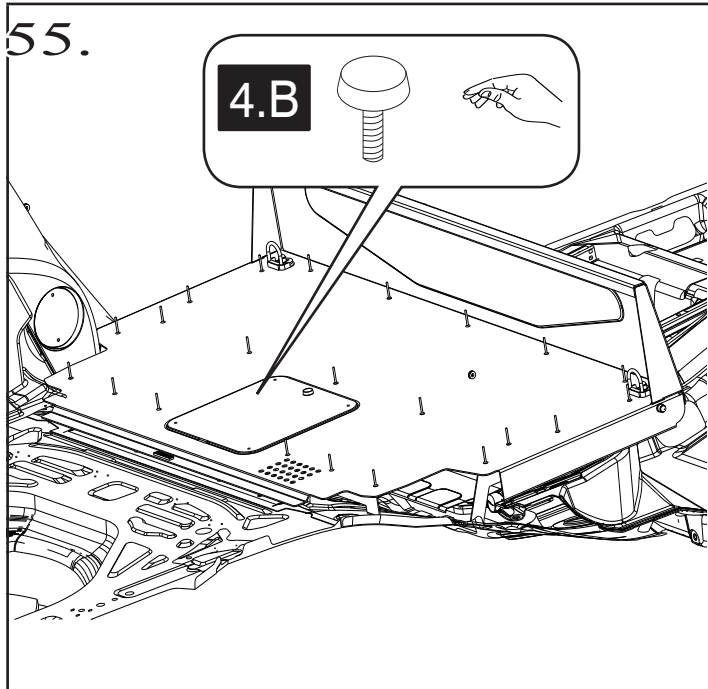


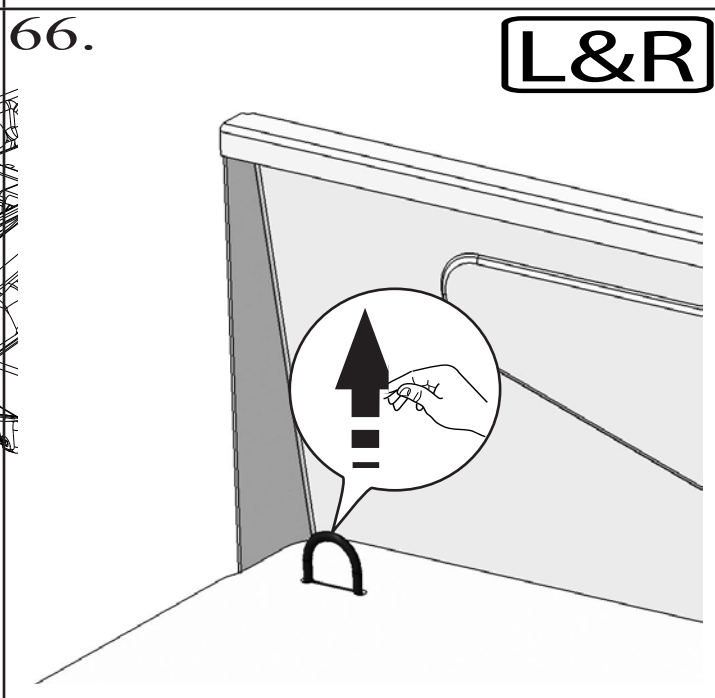
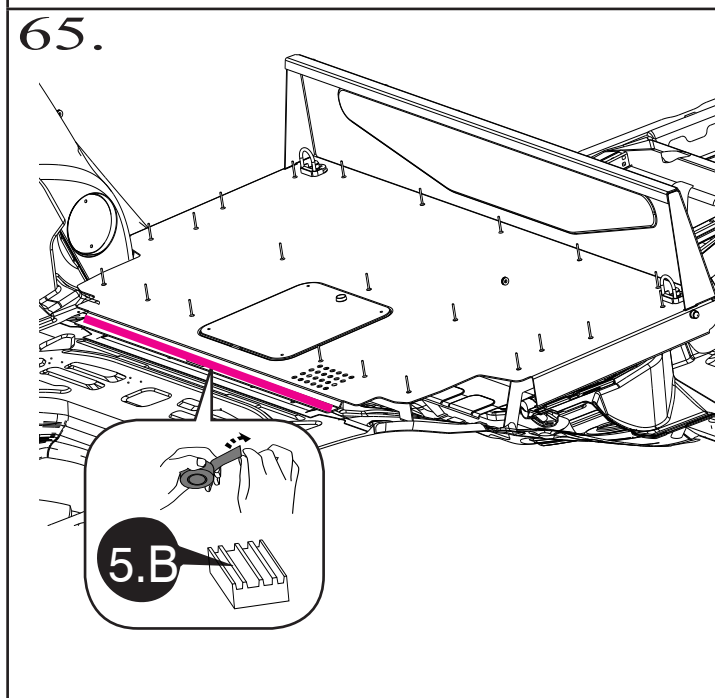
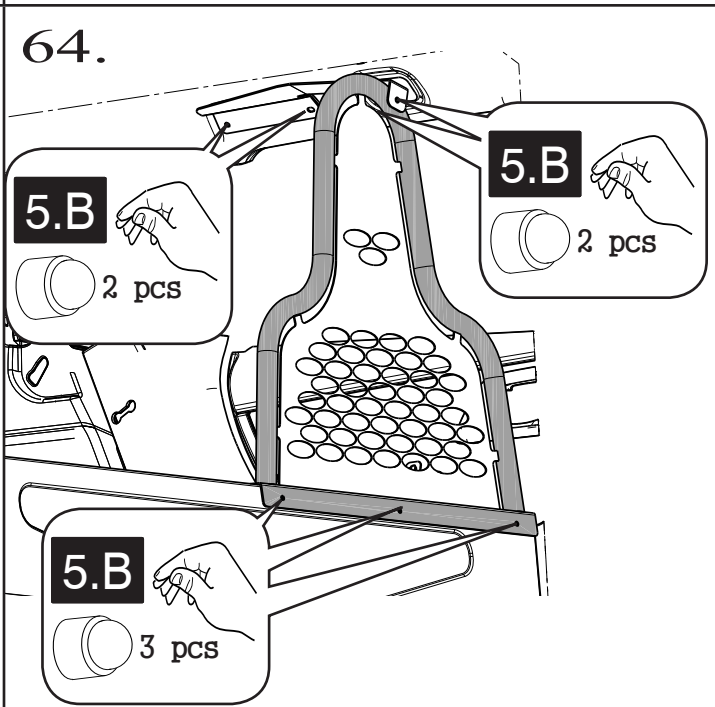
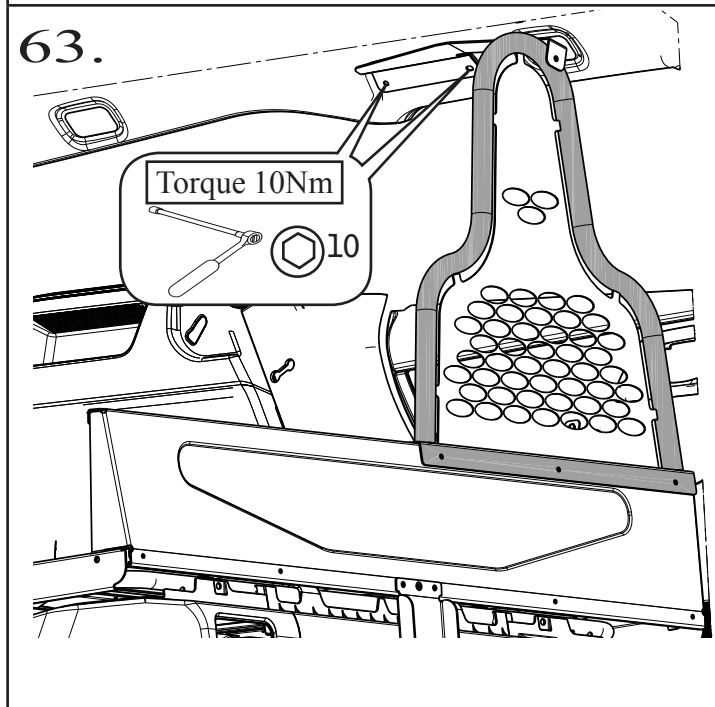
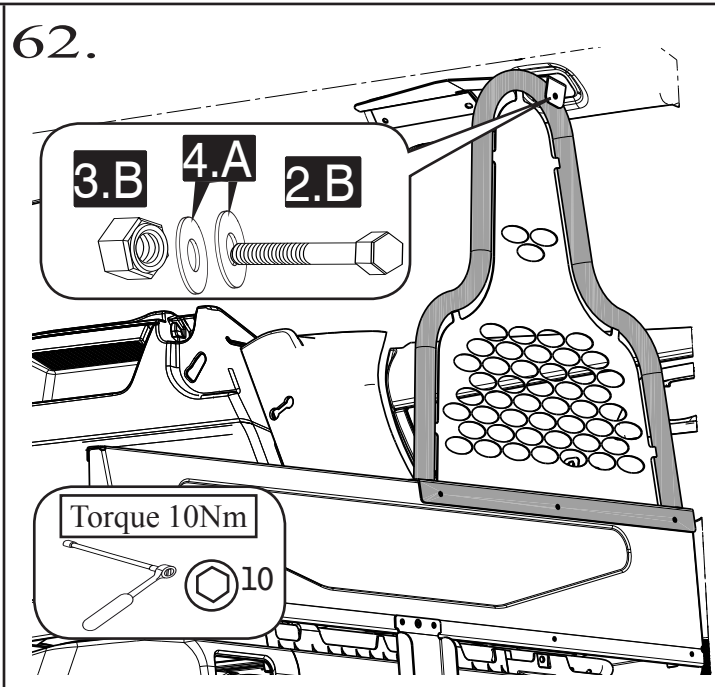
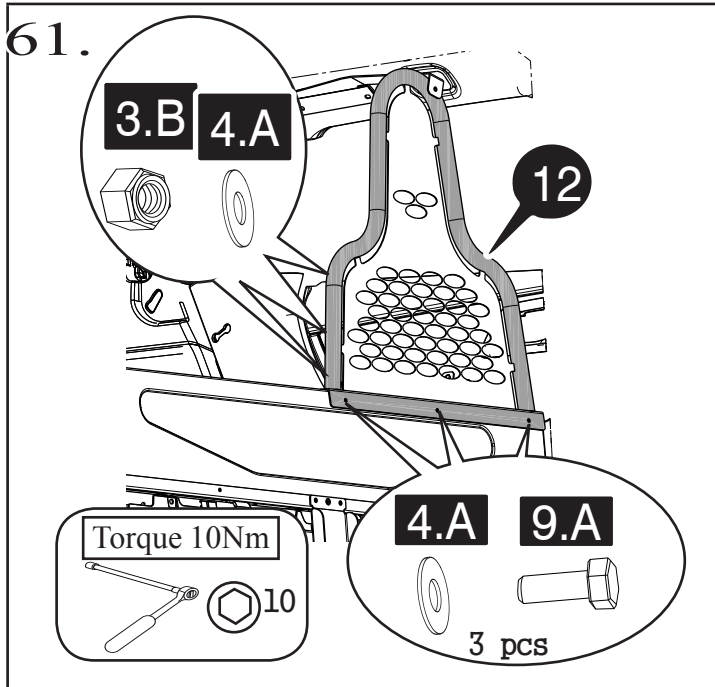






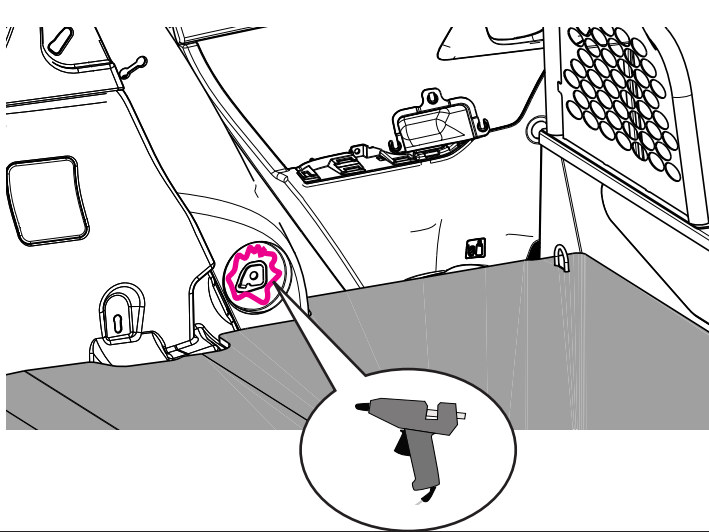






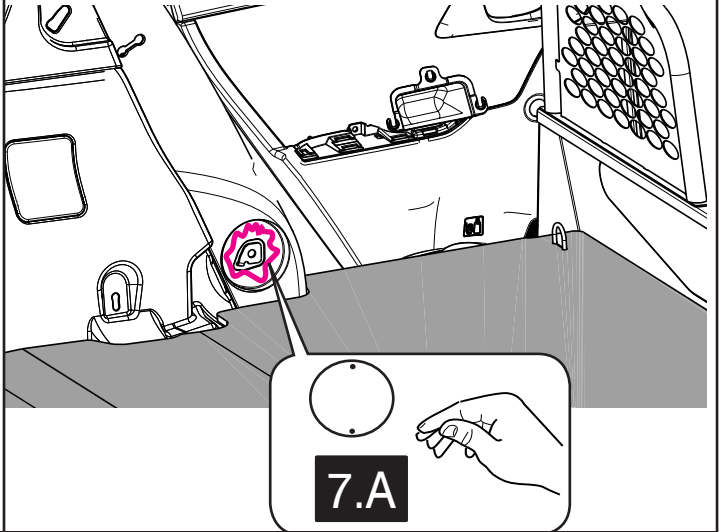
67.

L&R



68.

L&R



69.

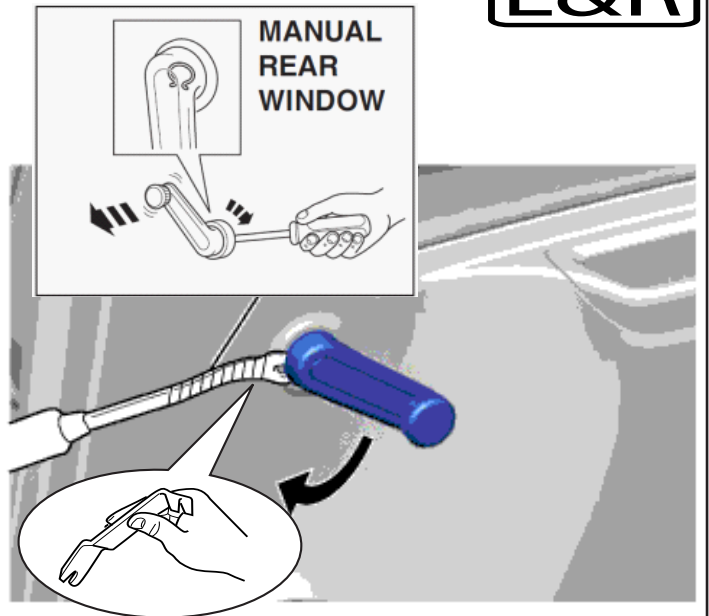
L&R

REMOVE REAR DOOR WINDOW REGULATOR HANDLE ASSEMBLY (w/o Power Window)

- (a) Insert a clip remover between the plate and front door trim board.
- (b) Turn the handle with the clip remover inserted, as shown in the illustration.
- (c) Remove the front door window regulator handle and clip.
- (d) Remove the window regulator handle plate.

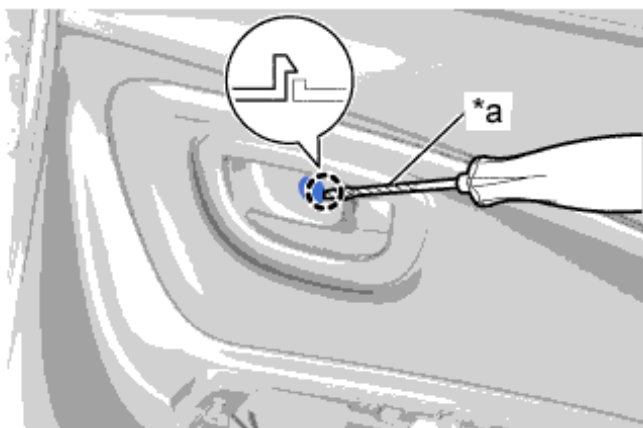
70.

L&R



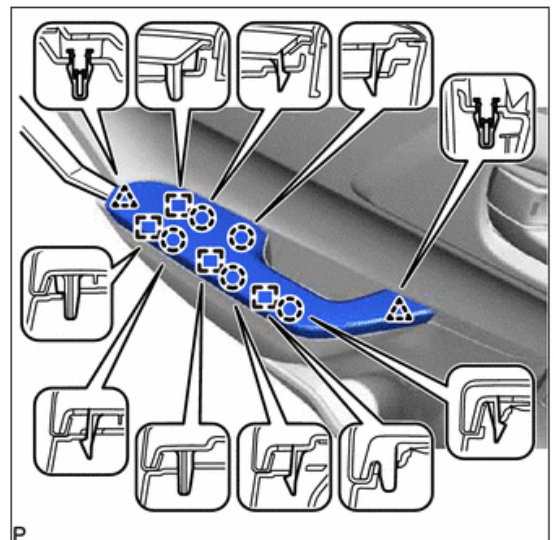
71.

L&R



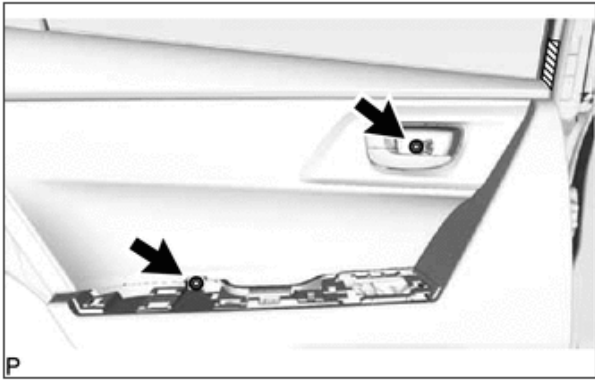
72.

L&R



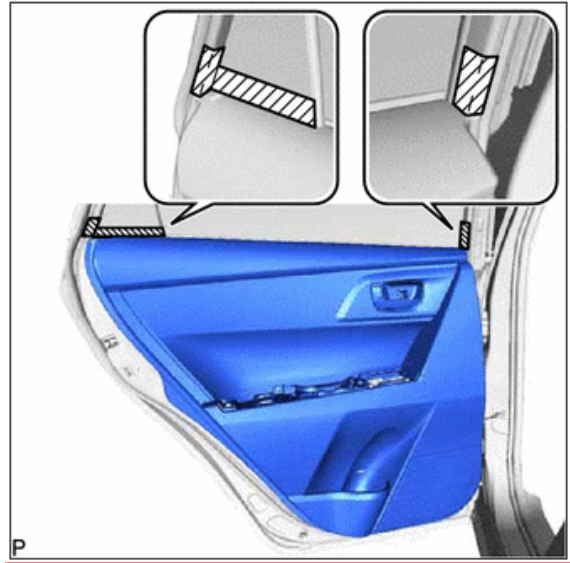
73.

L&R



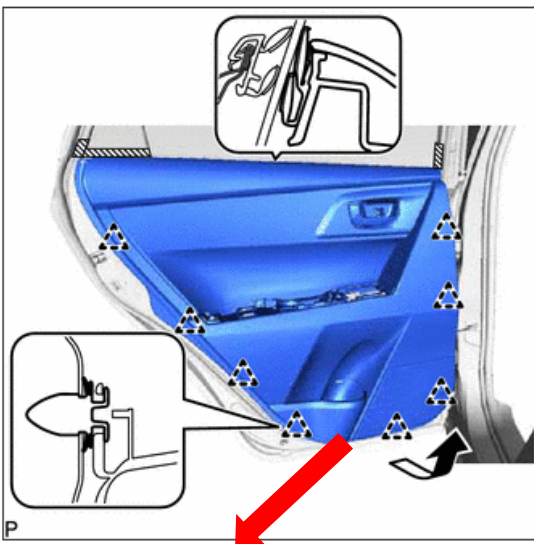
74.

L&R



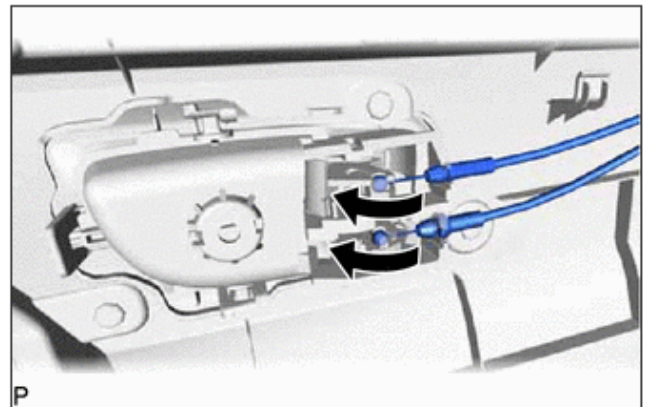
75.

L&R



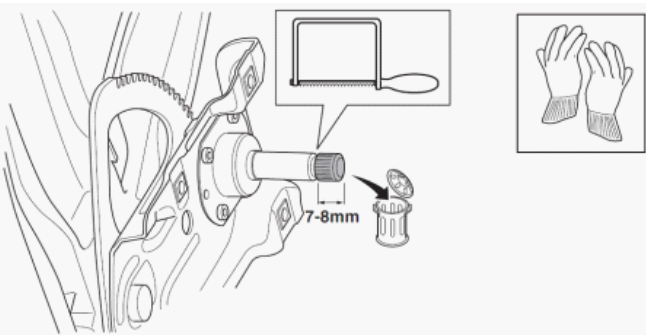
76.

L&R



77.

L&R



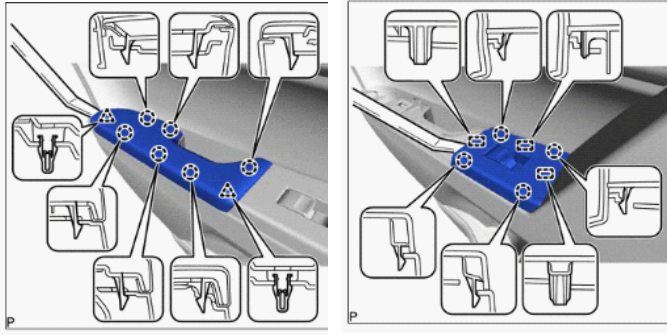
78.

L&R



79.

L&R

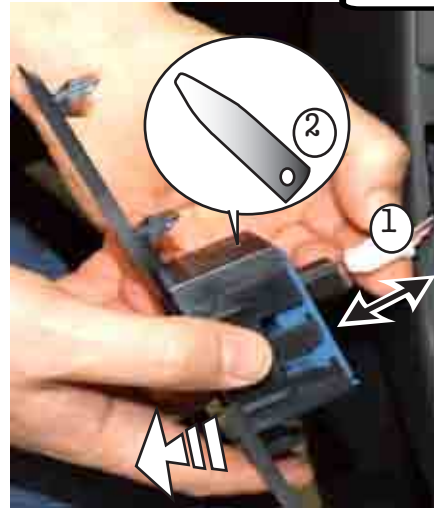


REMOVE REAR DOOR ARMREST BASE UPPER PANEL (w/ Power Window)

- (a) Using a moulding remover, disengage the 9 claws and 3 guides.
- (b) Disconnect the connector and remove the rear armrest base upper panel.

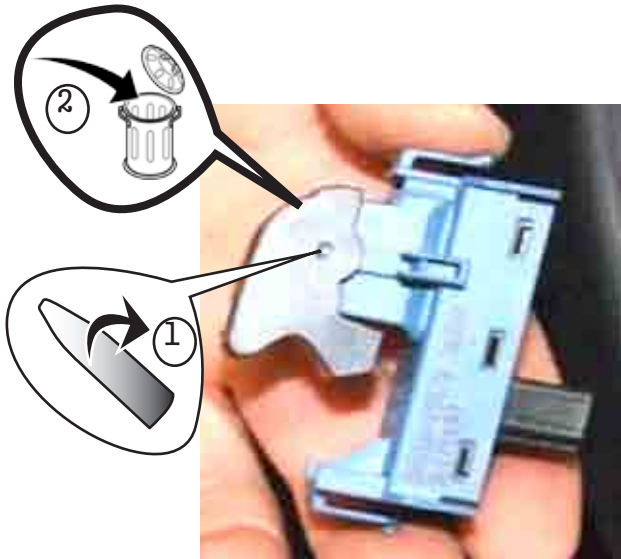
80.

L&R



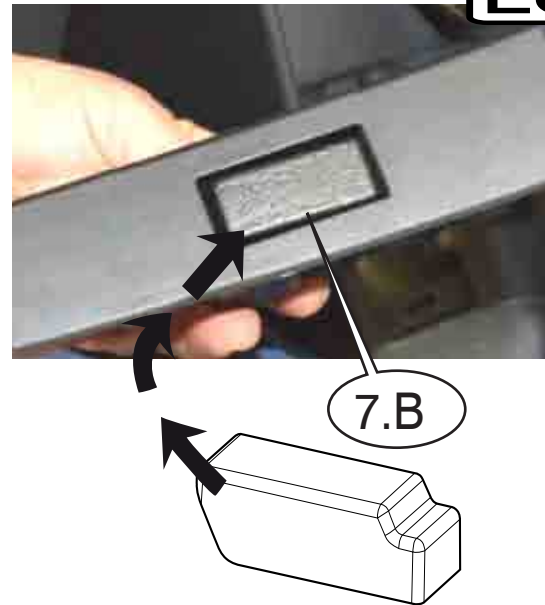
81.

L&R



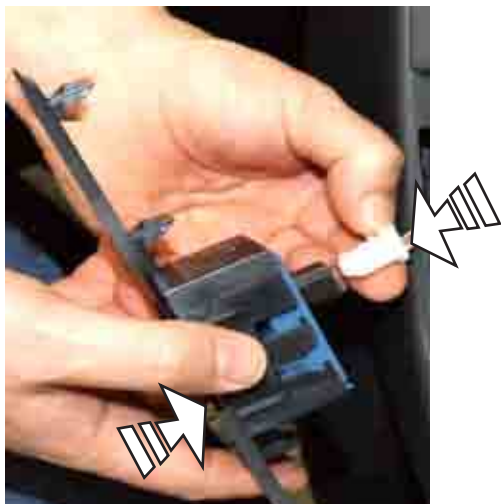
82.

L&R

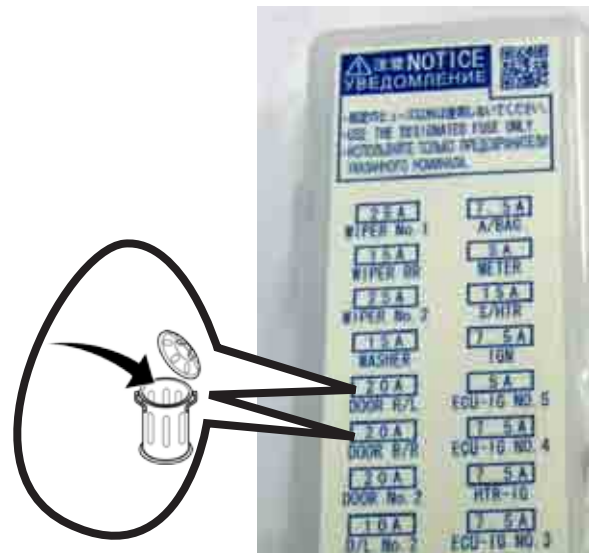


83.

L&R



84.

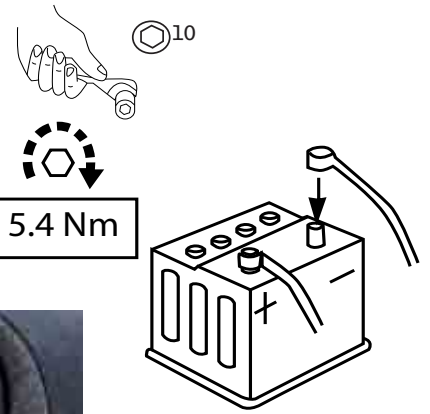


85.

L&R



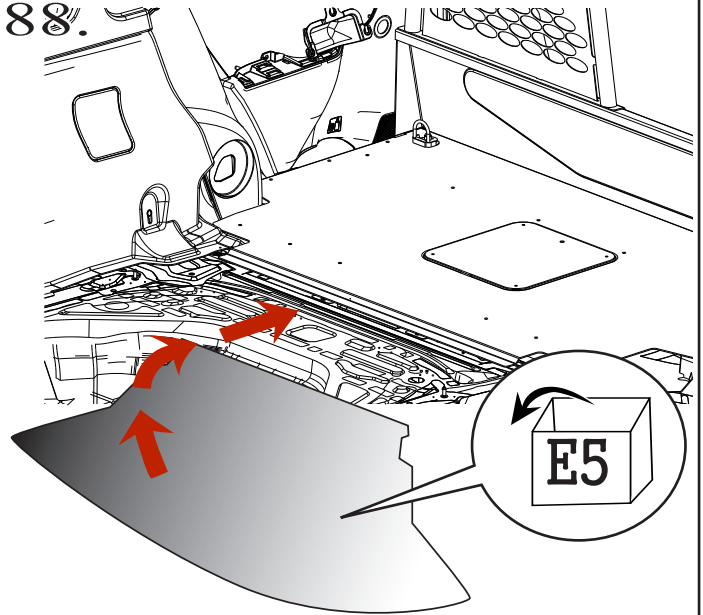
86.



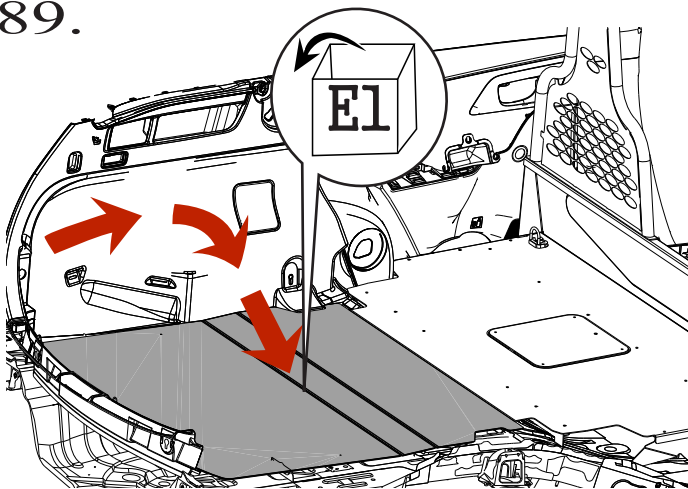
87.



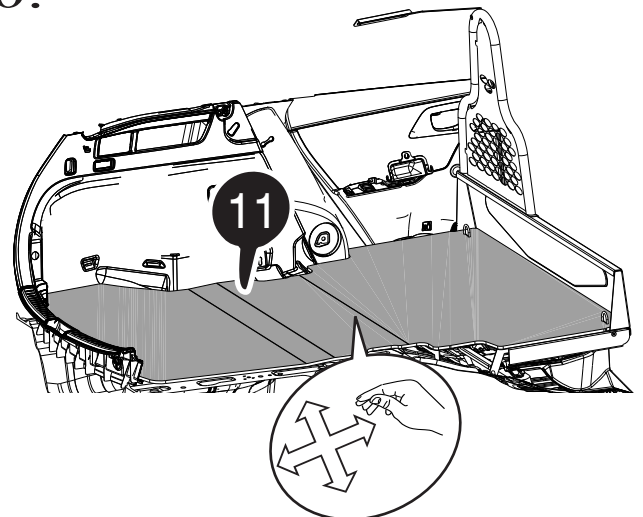
88.



89.



90.



CHECK SHEET



Model /Year **Auris Touring Sport Hybrid 2013**

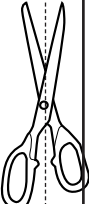
N1 Kit TDK with steel separator

VIN n°

□ □ □ □ □ □ □ □ □ □ □ □ □ □ □ □ □ □ □ □

ALWAYS A BETTER WAY

<p>P/N = OK</p>		<p>42 Nm 4x</p> <input type="checkbox"/> <p>Serial Number</p> <input type="text"/>	
	<p>10 Nm 6x</p> <input type="checkbox"/> <p>Serial Number</p> <input type="text"/>		<p>42 Nm 4x</p> <input type="checkbox"/> <p>Serial Number</p> <input type="text"/>
	<p>10 Nm 2x</p> <input type="checkbox"/> <p>Serial Number</p> <input type="text"/>		<p>10 Nm 2x</p> <input type="checkbox"/> <p>Serial Number</p> <input type="text"/>
	<p>10 Nm 2x</p> <input type="checkbox"/> <p>Serial Number</p> <input type="text"/>		<p>10 Nm 6x</p> <input type="checkbox"/> <p>Serial Number</p> <input type="text"/>
		<p>5,4 Nm 1x</p> <input type="checkbox"/> <p>Serial Number</p> <input type="text"/> <p>= OK</p> <input type="checkbox"/>	



Installation date:

Technician Name & Signature:

Stamp:

