



**TOYOTA**

ALWAYS A  
**BETTER WAY**

# AYGO

## Mirror Covers

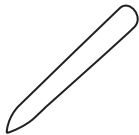
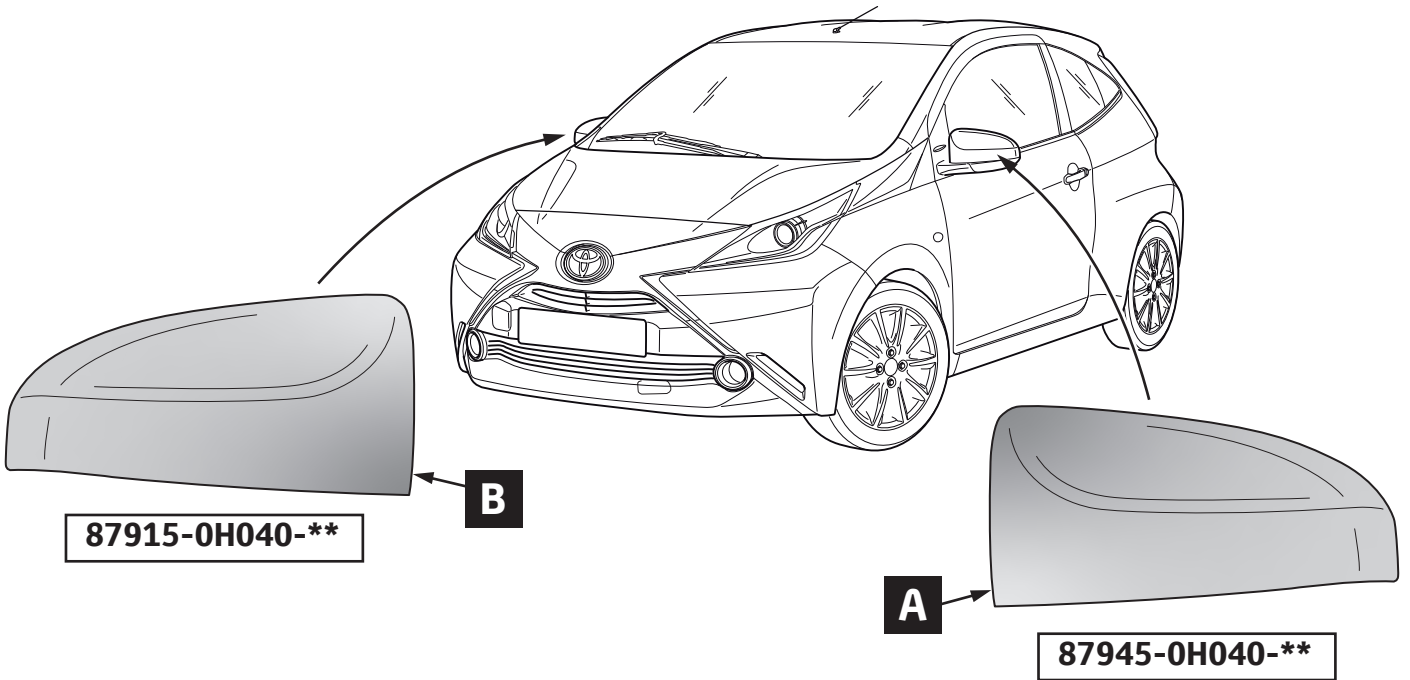
### Installation Instructions

Model year:	2014/05, 2018/05	
Vehicle code:	**B40*-A***KW	
Part number:	87945-0H040-**	LHS
	87915-0H040-**	RHS

Manual reference number: AIM 004 393-0

# Revision record

Rev. No.	Date	Page	Picture	Update	New	Deleted steps



10mm



10mm

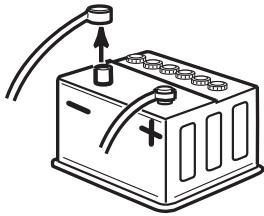
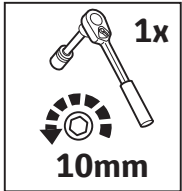
**INFO**



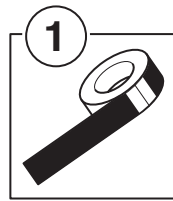
**M**aterial **S**afety **D**ata **S**heet



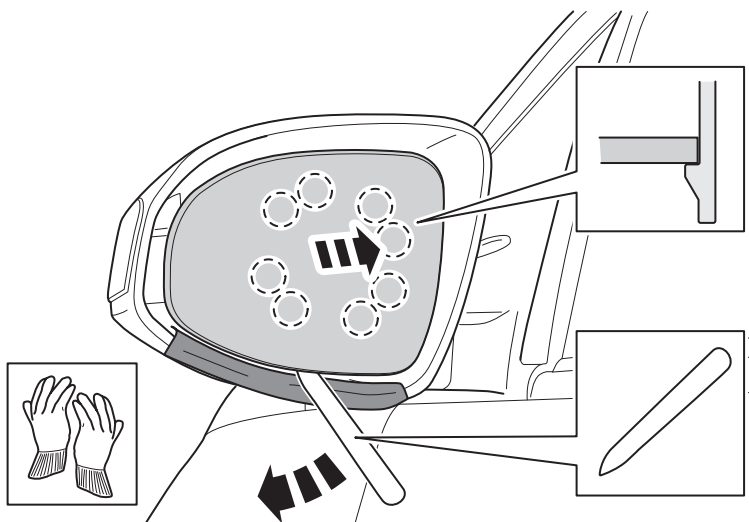
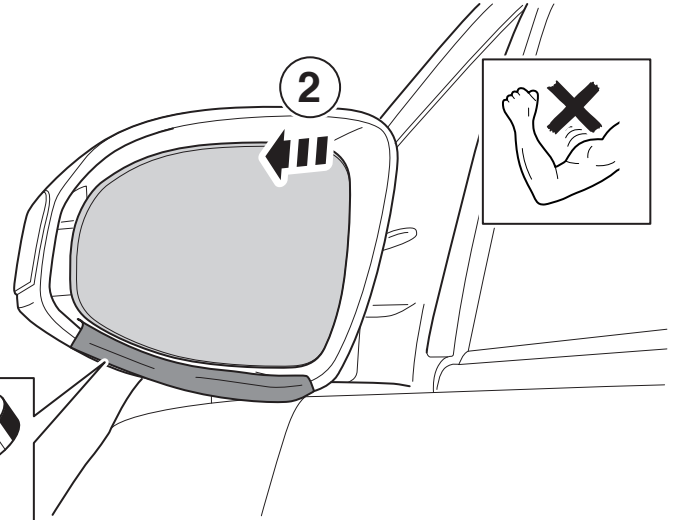
**T**echnical **D**ata **S**heet



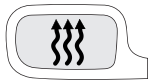
**1**



**2**



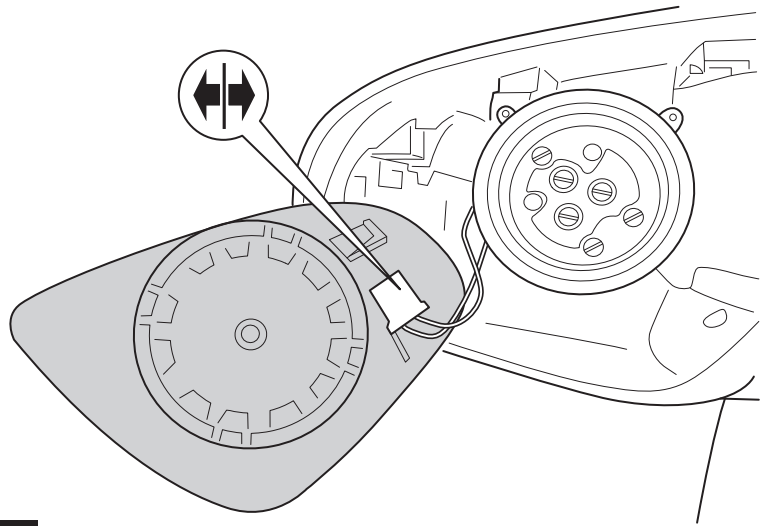
**3**



5

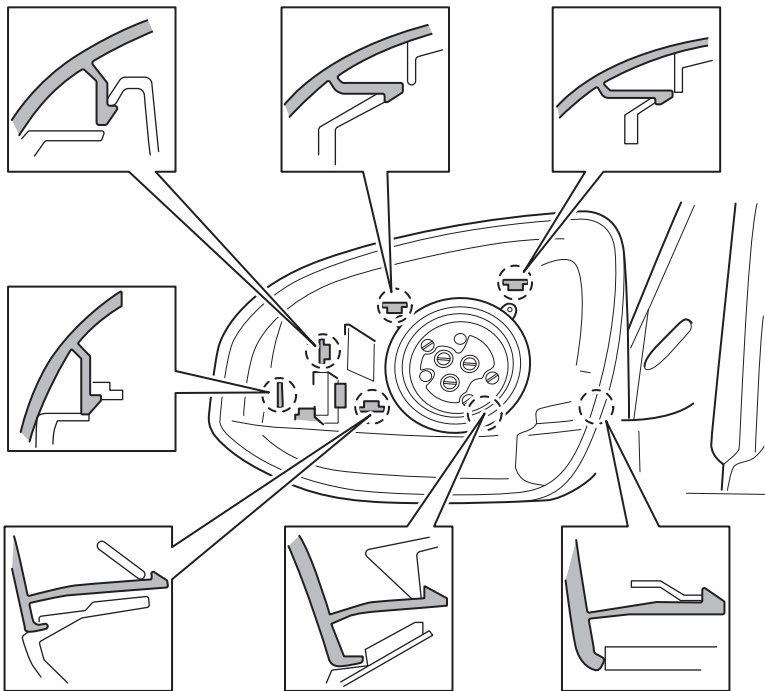


6

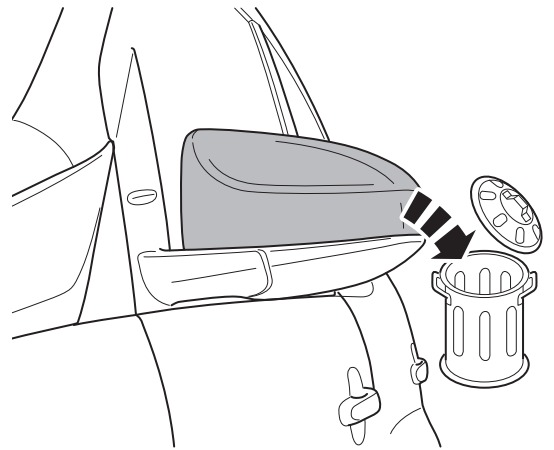


5

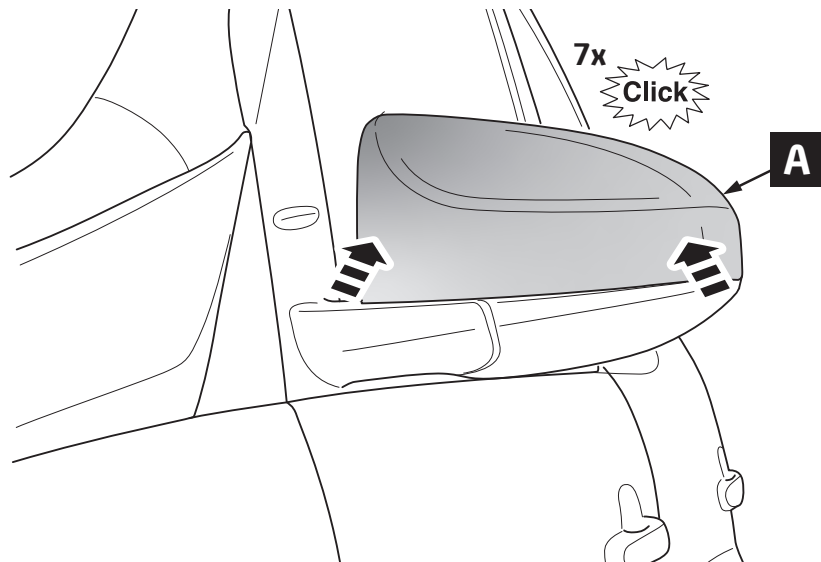
4



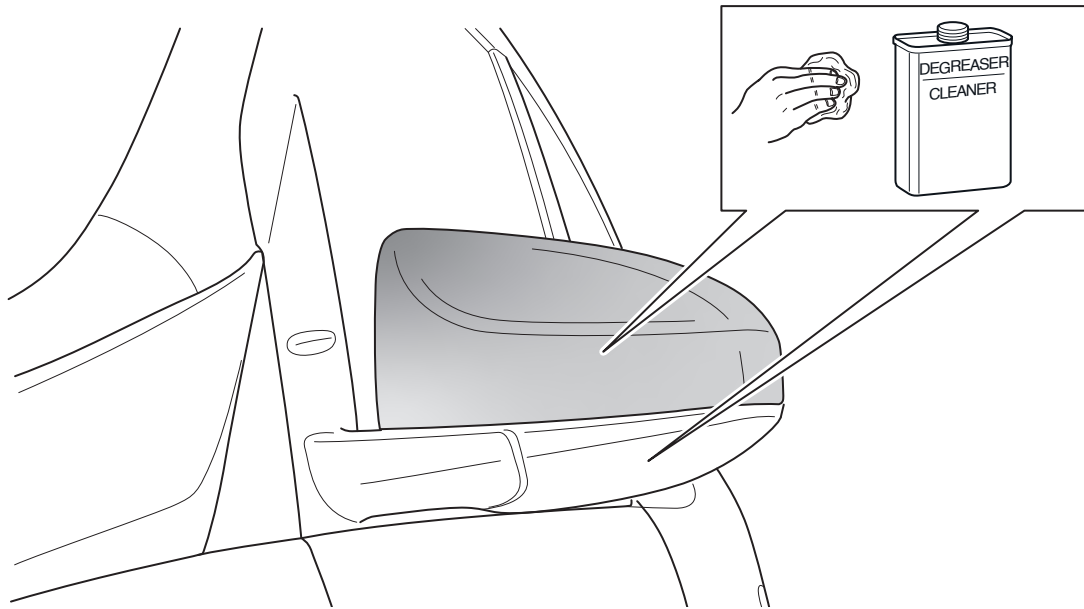
6



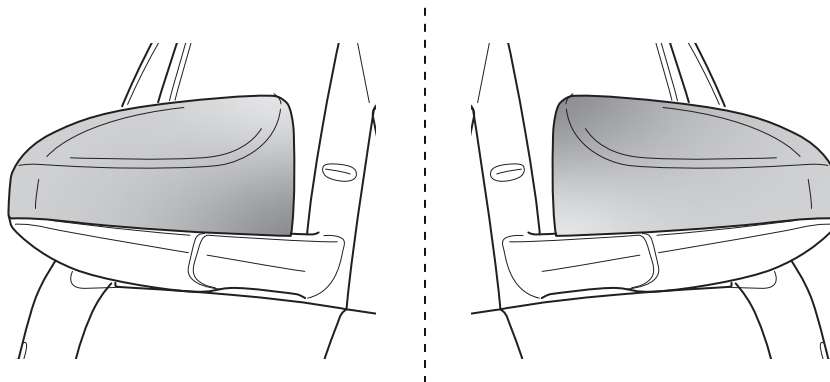
7



8

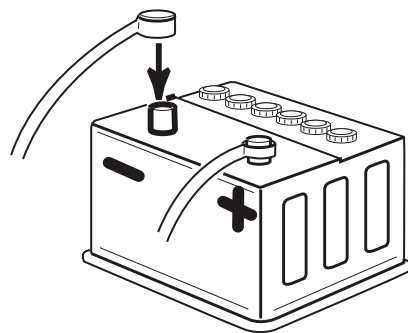
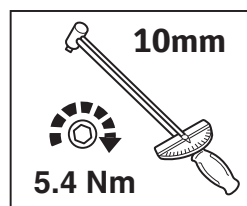


**RHS = LHS**



**1 - 8**

9



10

# CHECK SHEET



**TOYOTA**


Model / Year

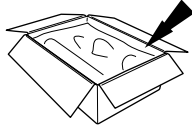

**Aygo**  
2014/05, 2018/05

Mirror Covers

VIN n°

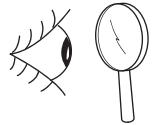
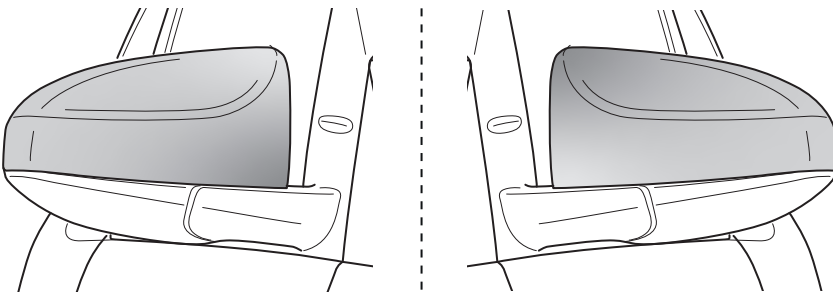
ALWAYS A  
BETTER WAY

**P/N = OK** 

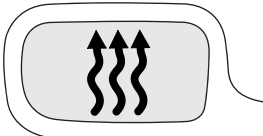
  


**5.4 Nm**  **Serial Number**

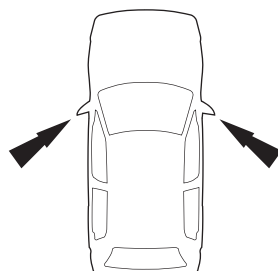
**CLICK**



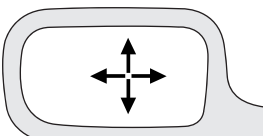
**= OK**




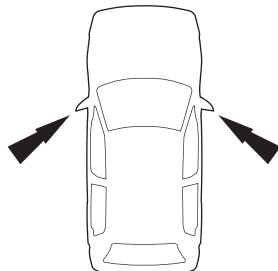
**+2°C**

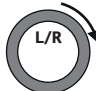



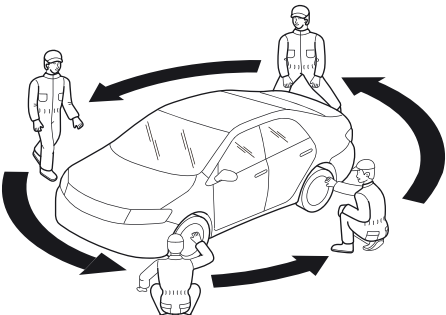
**+2°C**



**L/R** 



**L/R** 



**= OK**

**Installation Date:**  
... / ... / ...

**Technician Name & Signature:**

**Stamp:**

