



**TOYOTA**

ALWAYS A  
**BETTER WAY**

# Yaris

## Scuff Plates

Installation Instructions

Model year: 2011/07, 2014/07, 2017/03

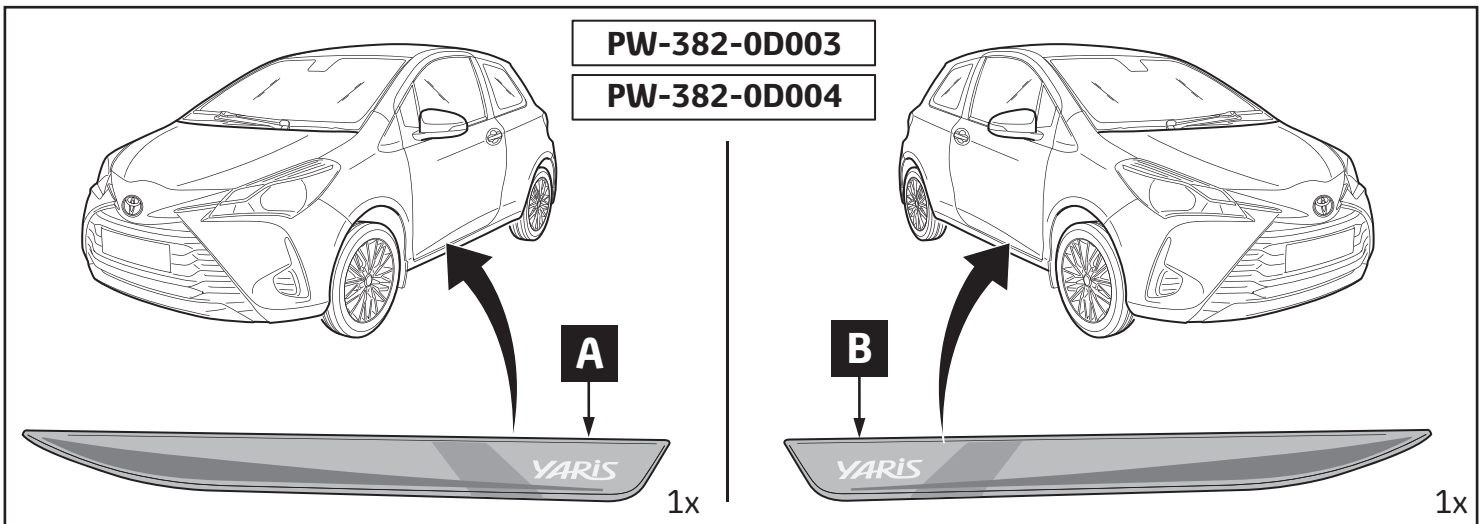
Vehicle code: \*\*P130\*-C\*\*\*\*W

Part number: PW382-0D003 - 5 door (Brushed Aluminium) - Black  
PW382-0D004 - 5 door (Brushed Aluminium) - Silver

Manual reference number: AIM 004 015-1

# Revision record

Rev. No.	Date	Page	Picture	Update	New	Deleted steps
1	10.10.2018	2, 5	Tools, 7			Adhesion Promoter



**INFO**

Material Safety Data Sheet

Technical Data Sheet

40°C  
20°C

40°C  
20°C

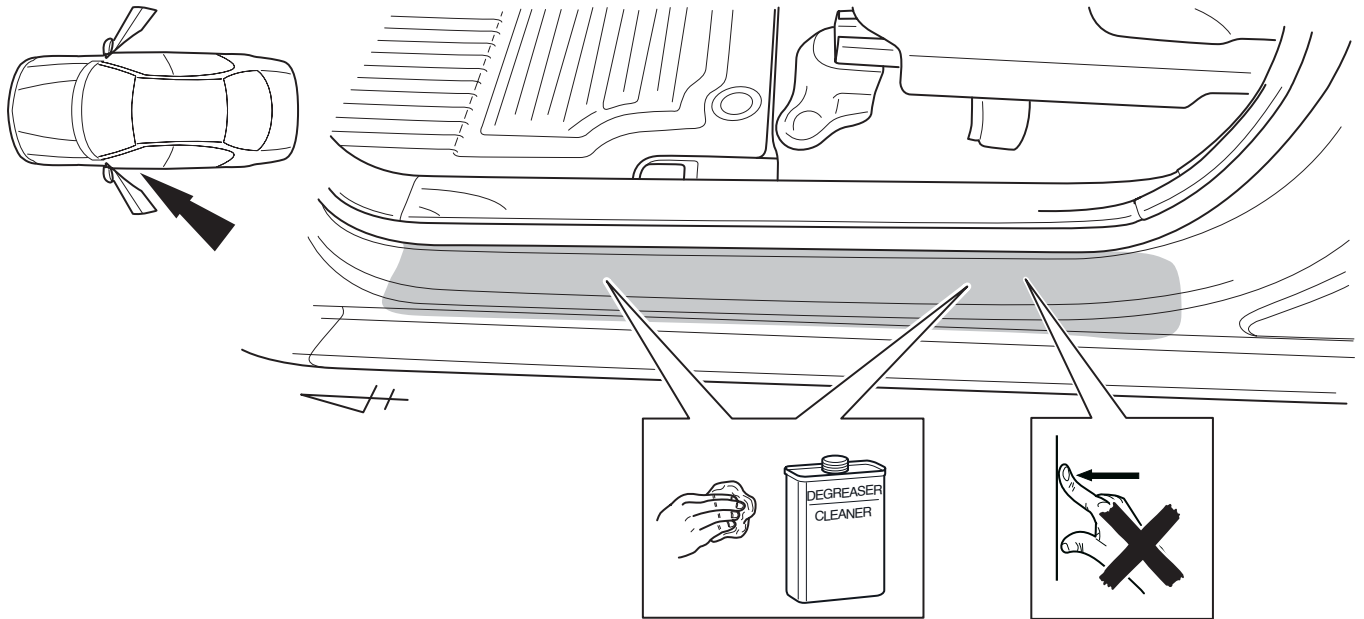
+

DEGREASER CLEANER

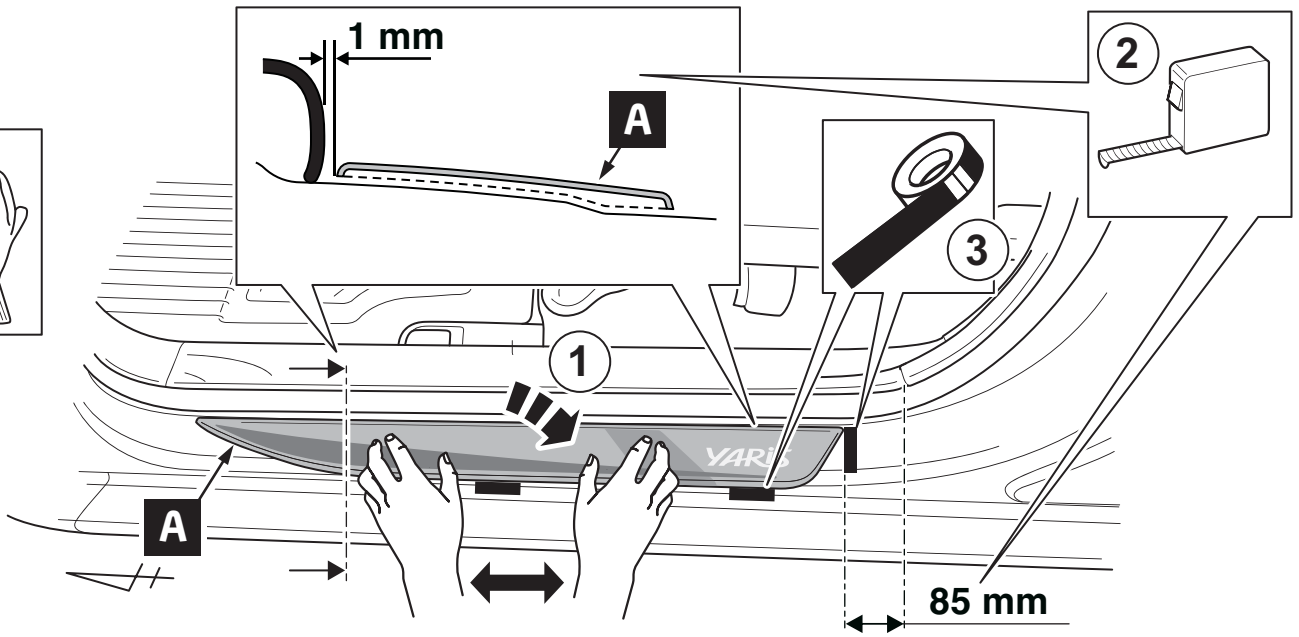
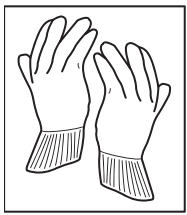
AIM 003-516-\*

? °C

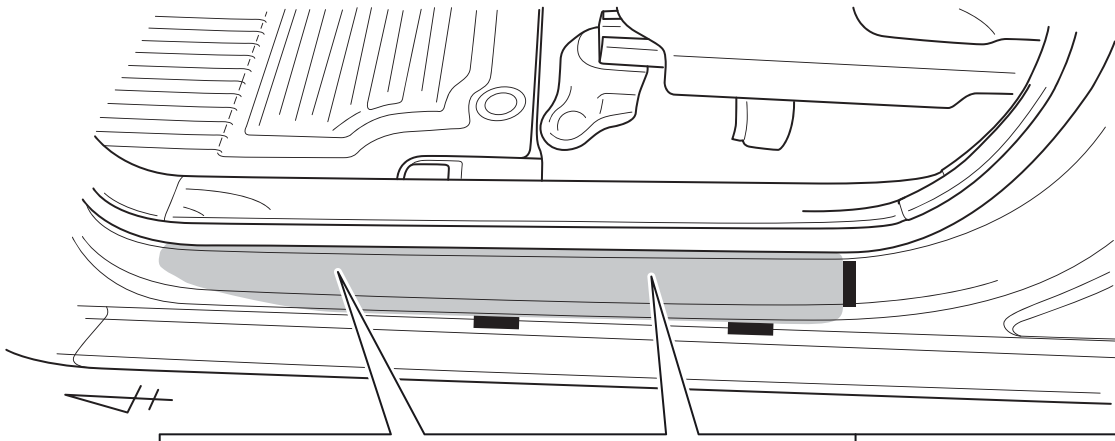
+ °C



1

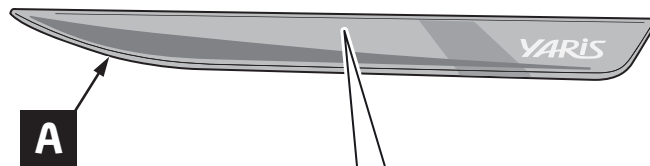


2



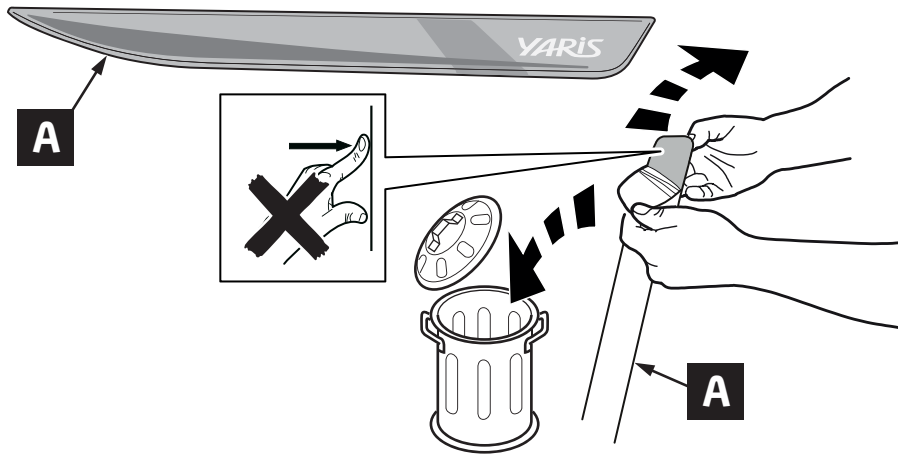
<p><b>1</b></p>	<p>? °C</p> <p>? &lt; 20°C → <b>2</b></p> <p>20°C &lt; ? &lt; 40°C → <b>4</b></p>	<p><b>2</b></p>
<p><b>3</b></p>	<p>? °C</p> <p>20°C &lt; ? &lt; 40°C → <b>4</b></p>	<p><b>INFO</b></p> <p> <b>3</b> → <b>6</b></p> <p> ✓</p> <p> ✗</p>

**3**

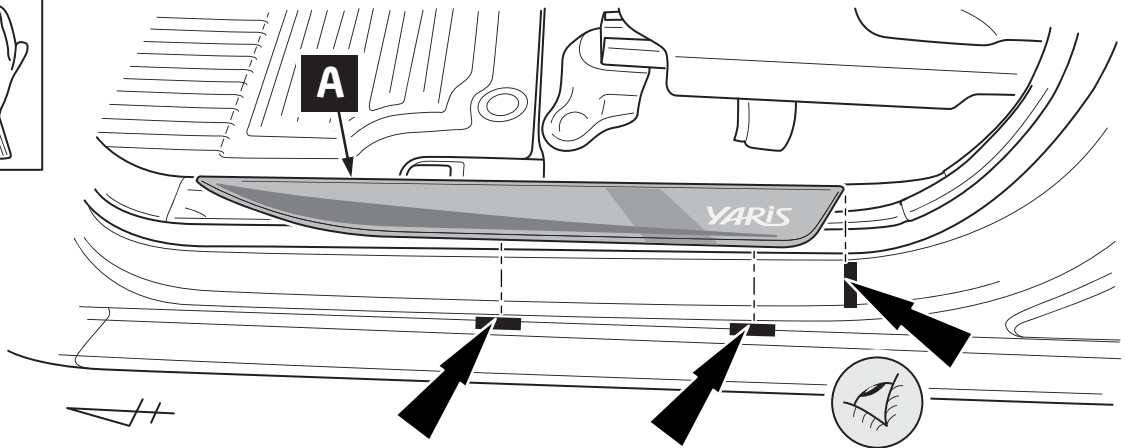
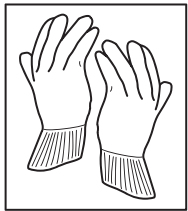


<p><b>1</b></p>	<p>? °C</p> <p>? &lt; 20°C → <b>2</b></p> <p>20°C &lt; ? &lt; 40°C → <b>5</b></p>	<p><b>2</b></p>
<p><b>3</b></p>	<p>? °C</p> <p>20°C &lt; ? &lt; 40°C → <b>5</b></p>	<p><b>INFO</b></p> <p> <b>4</b> → <b>6</b></p> <p> ✓</p> <p> ✗</p>

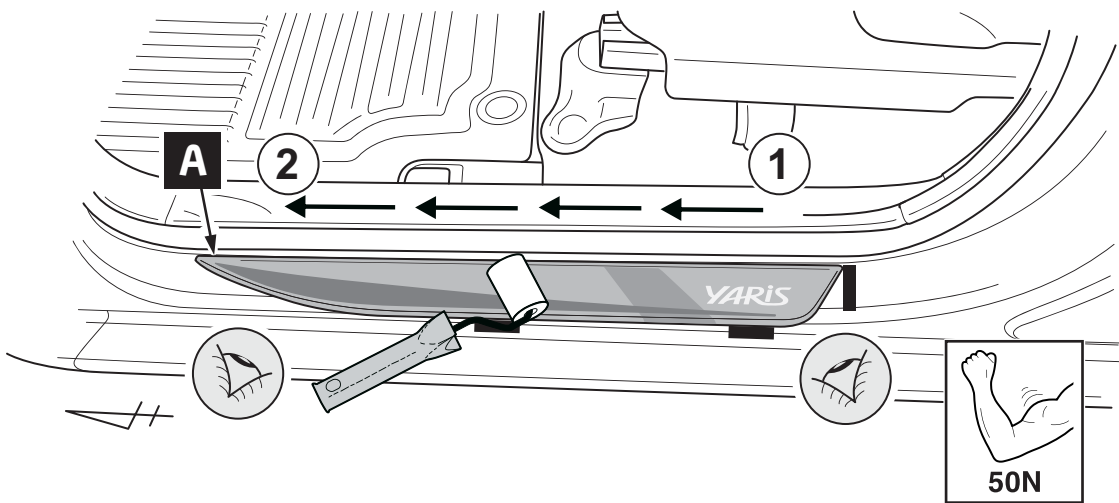
**4**



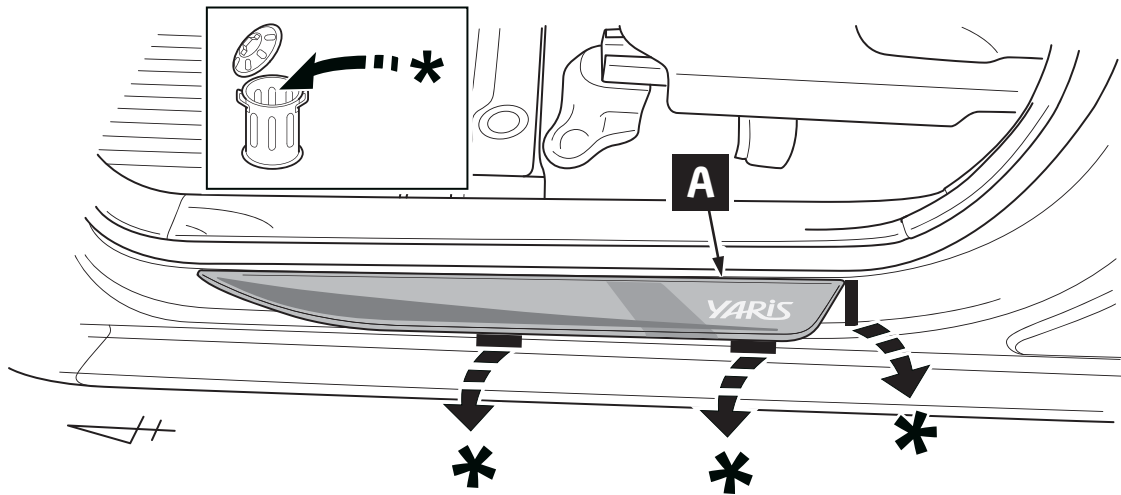
5



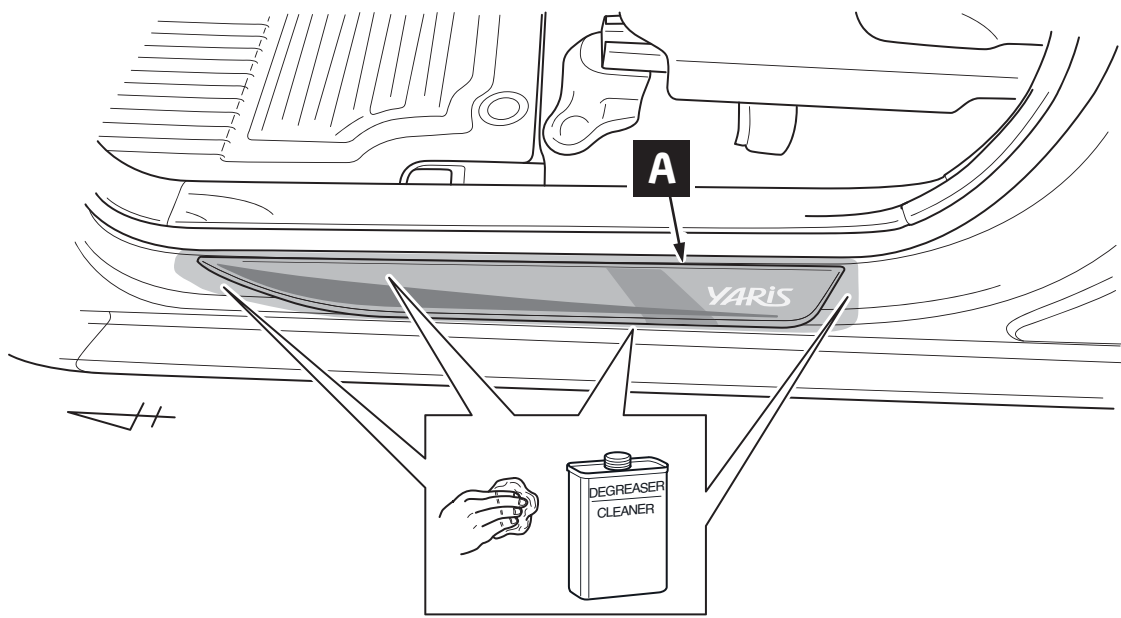
6



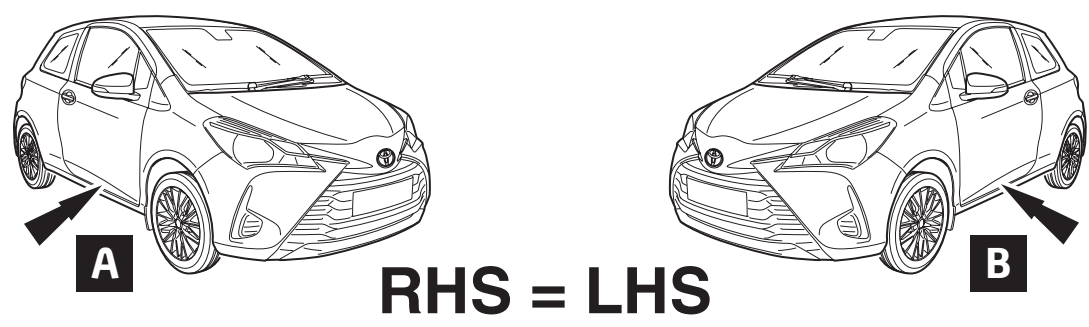
7



8



9



RHS = LHS

10

# CHECK SHEET



**TOYOTA**

ALWAYS A BETTER WAY

Model / Year **Yaris** 2011/07, 2014/07, 2017/03 **Scuff Plates**

VIN n°

**P/N = OK**

**RHS**  **LHS**

**RHS**  **LHS**

**= OK**

**Installation Date:**  
 /  /

**Technician Name & Signature:**

**Stamp:**