



**TOYOTA**

ALWAYS A  
**BETTER WAY**

# Toyota C-HR

## Front & rear set mudflaps

Installation Instructions

Model year: 2019/10  
Vehicle code: \*\*X\*\*\*-AH\*\*\*W  
Part number: PW389-10004 (Rear & front set)

Manual reference number: AIM 004 568-0

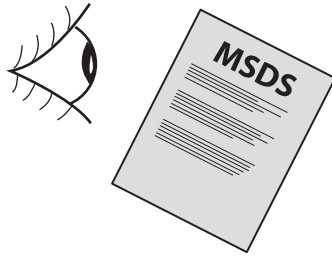
# Revision record

Rev. No.	Date	Page	Step	Remarks

<p><b>A</b></p>	<p>1x</p>	<p><b>C</b></p> <p>25mm</p> <p>4x</p>	
<p><b>B</b></p>	<p>1x</p>	<p><b>D</b></p> <p>2x</p>	
<p><b>F</b></p>		<p><b>E</b></p> <p>12mm</p> <p>4x</p>	
<p>DEGREASER CLEANER</p> <p><b>AIM 003 516-*</b></p>			
<p>10 mm 21 mm</p>	<p>Ø 2 mm</p>	<p>← Or →</p>	

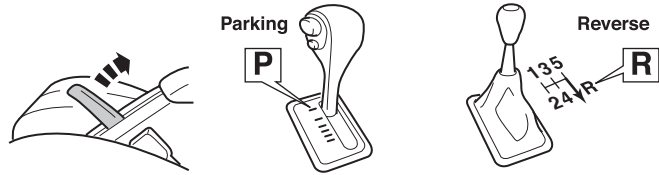
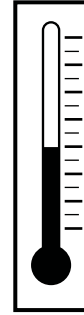
# INFORMATION

Material Safety Data Sheet

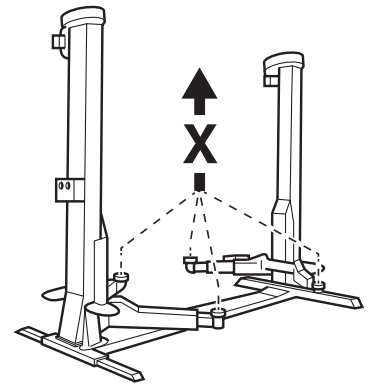
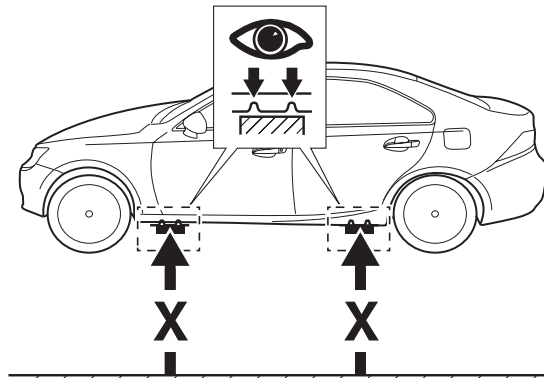
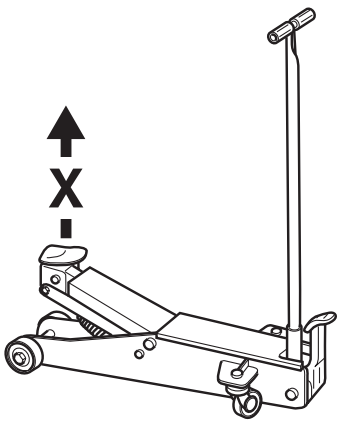


40°C

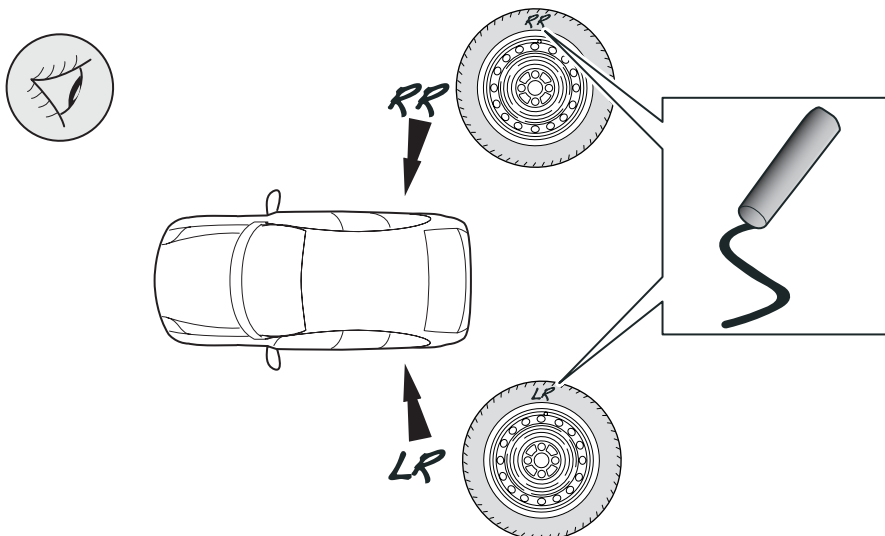
20°C



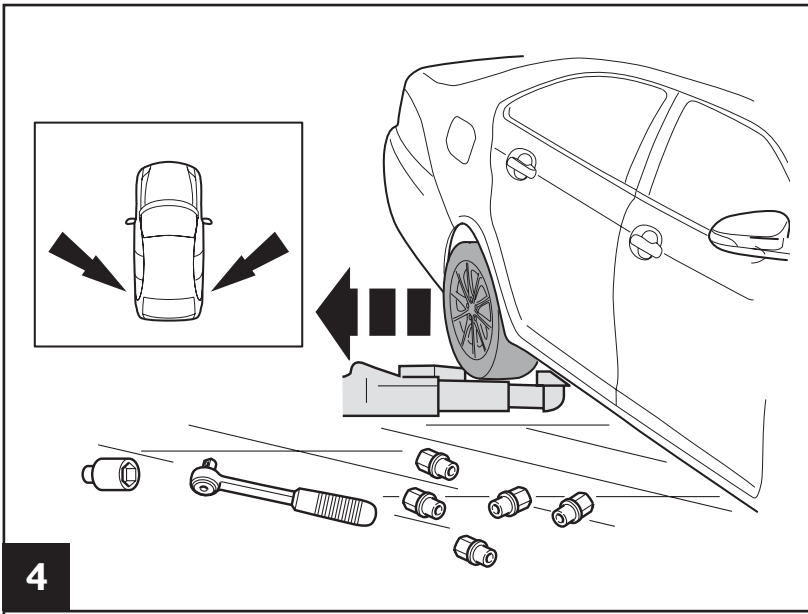
1



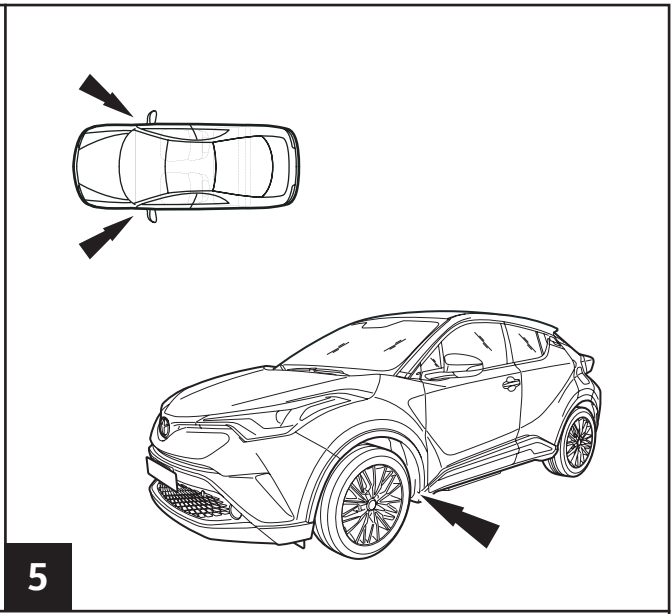
2



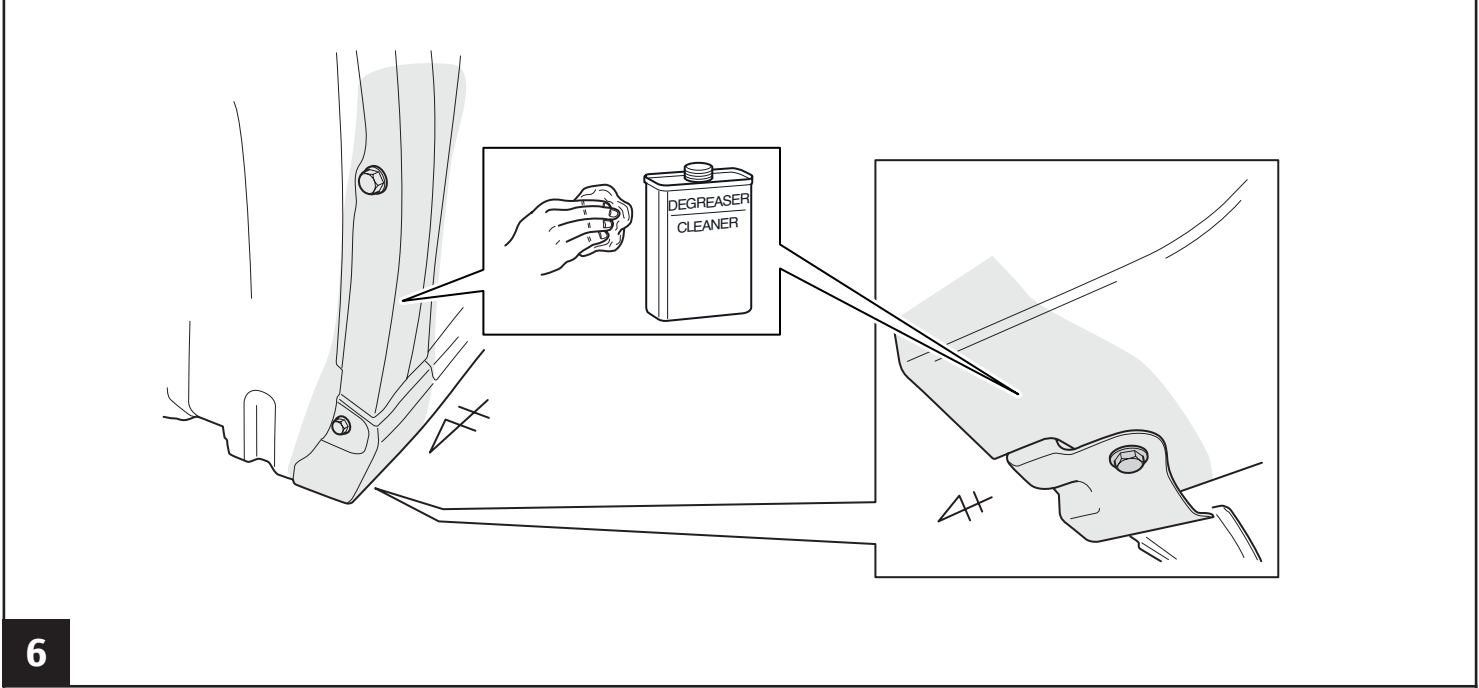
3



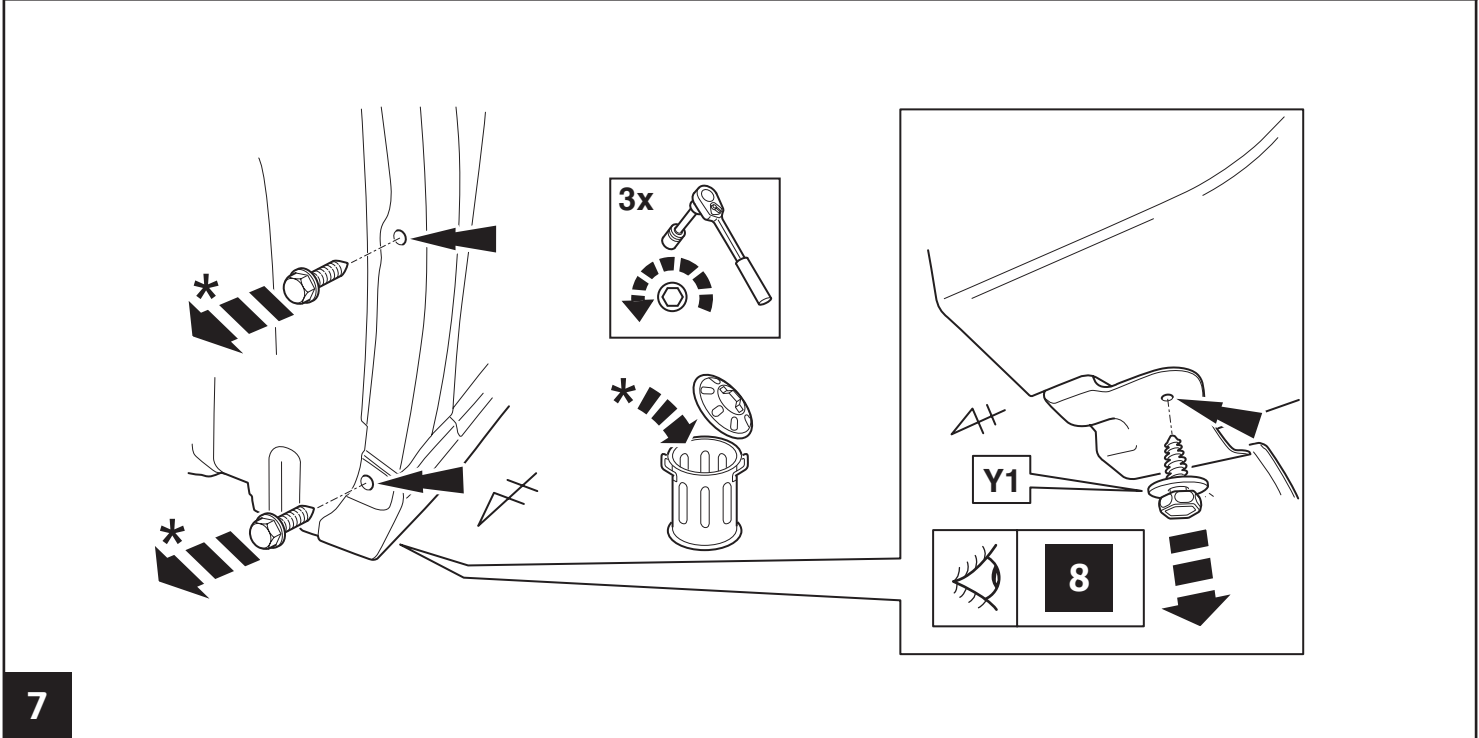
4



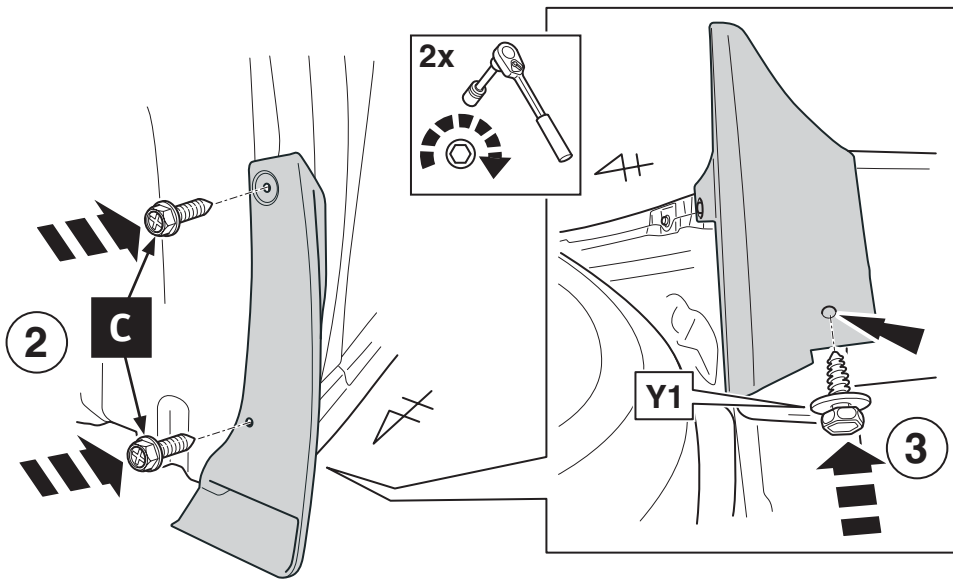
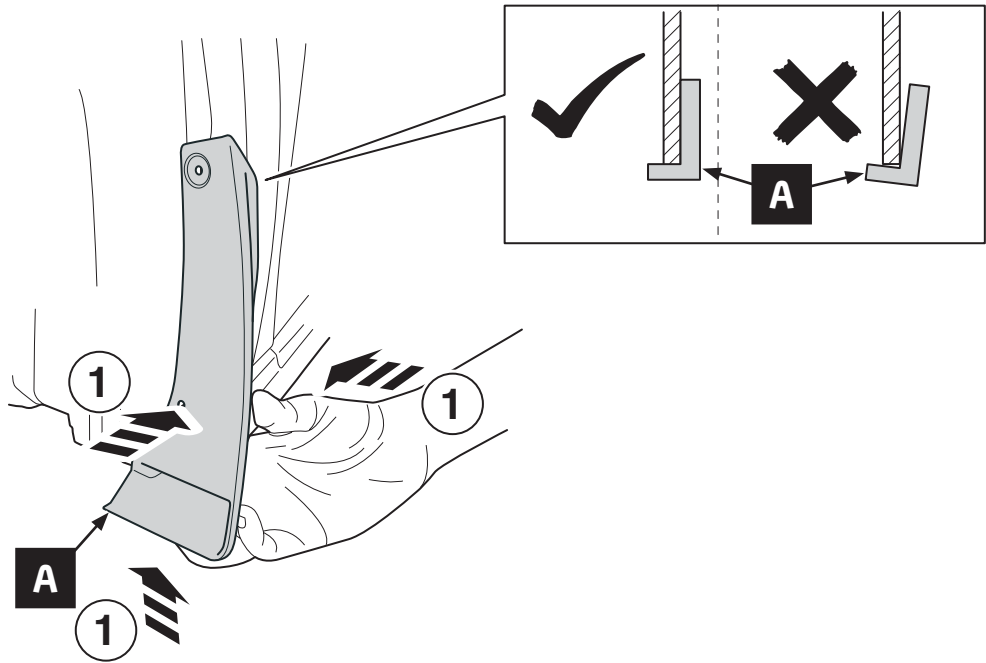
5



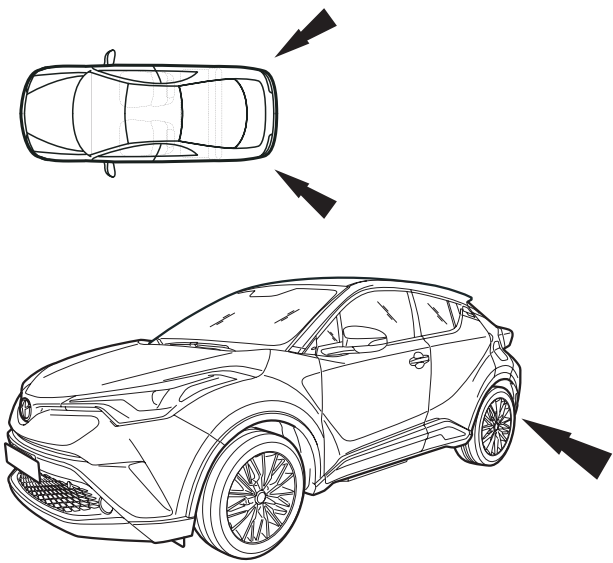
6



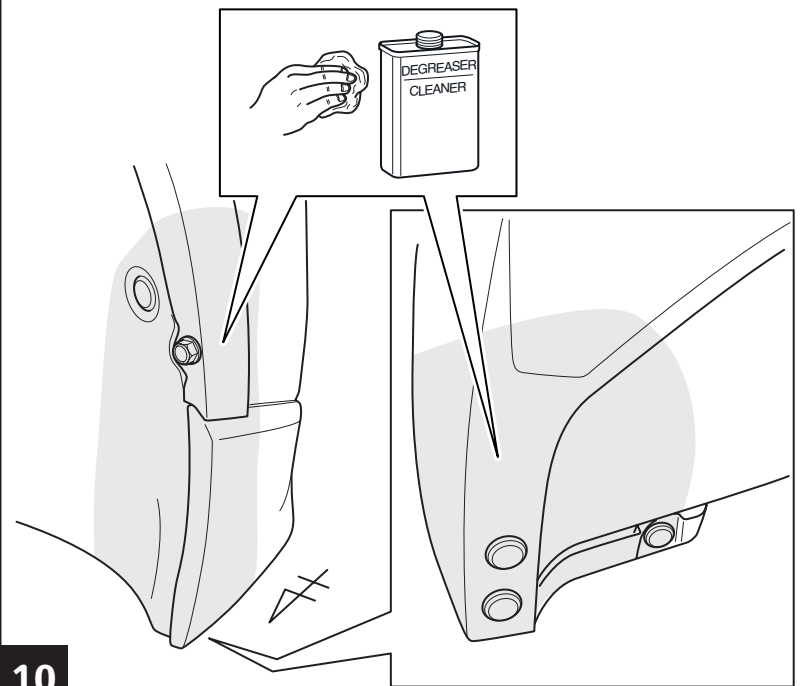
7



8

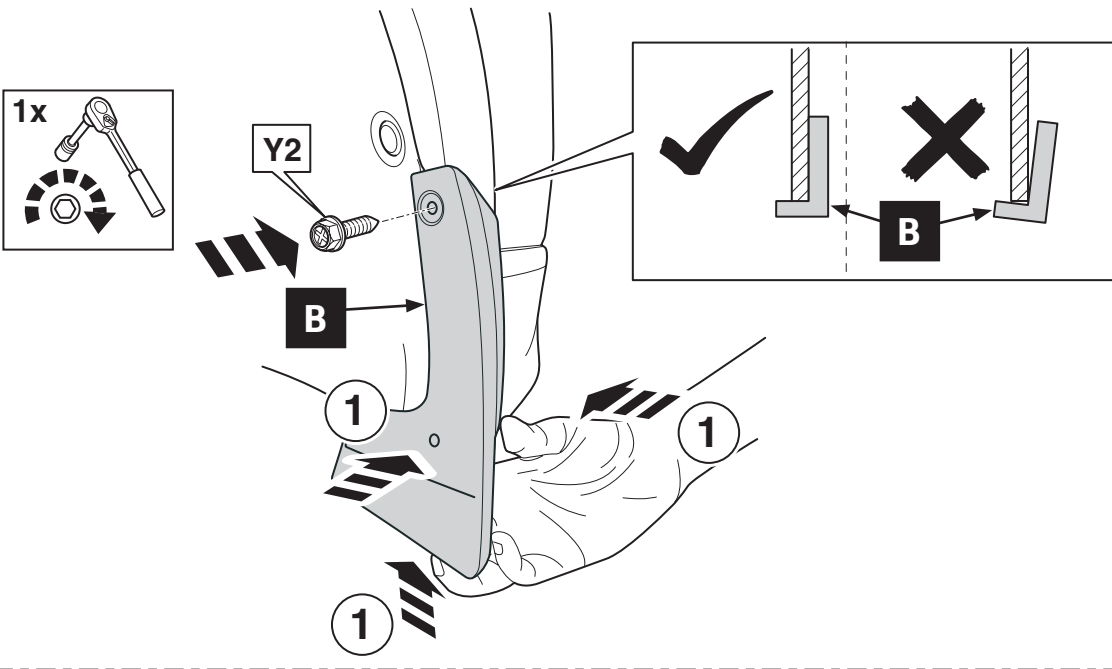
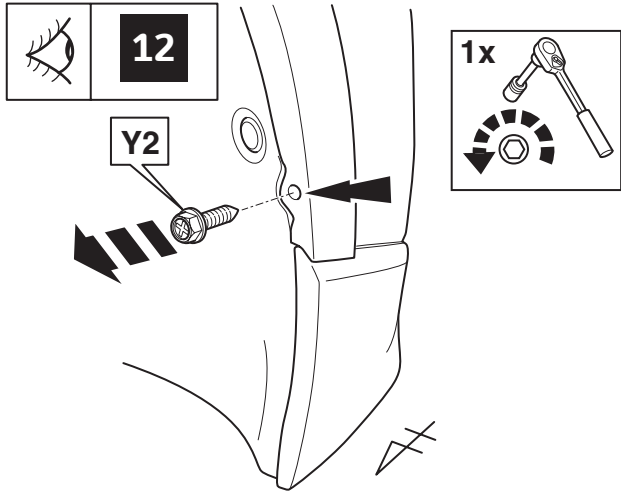


9

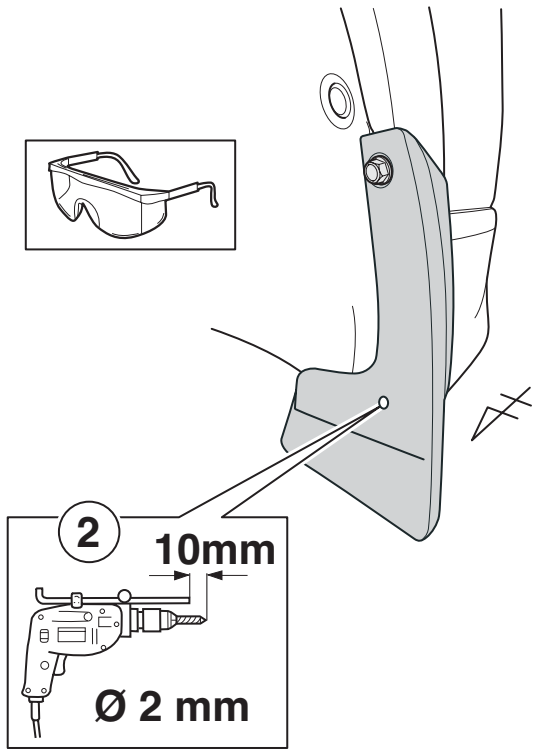


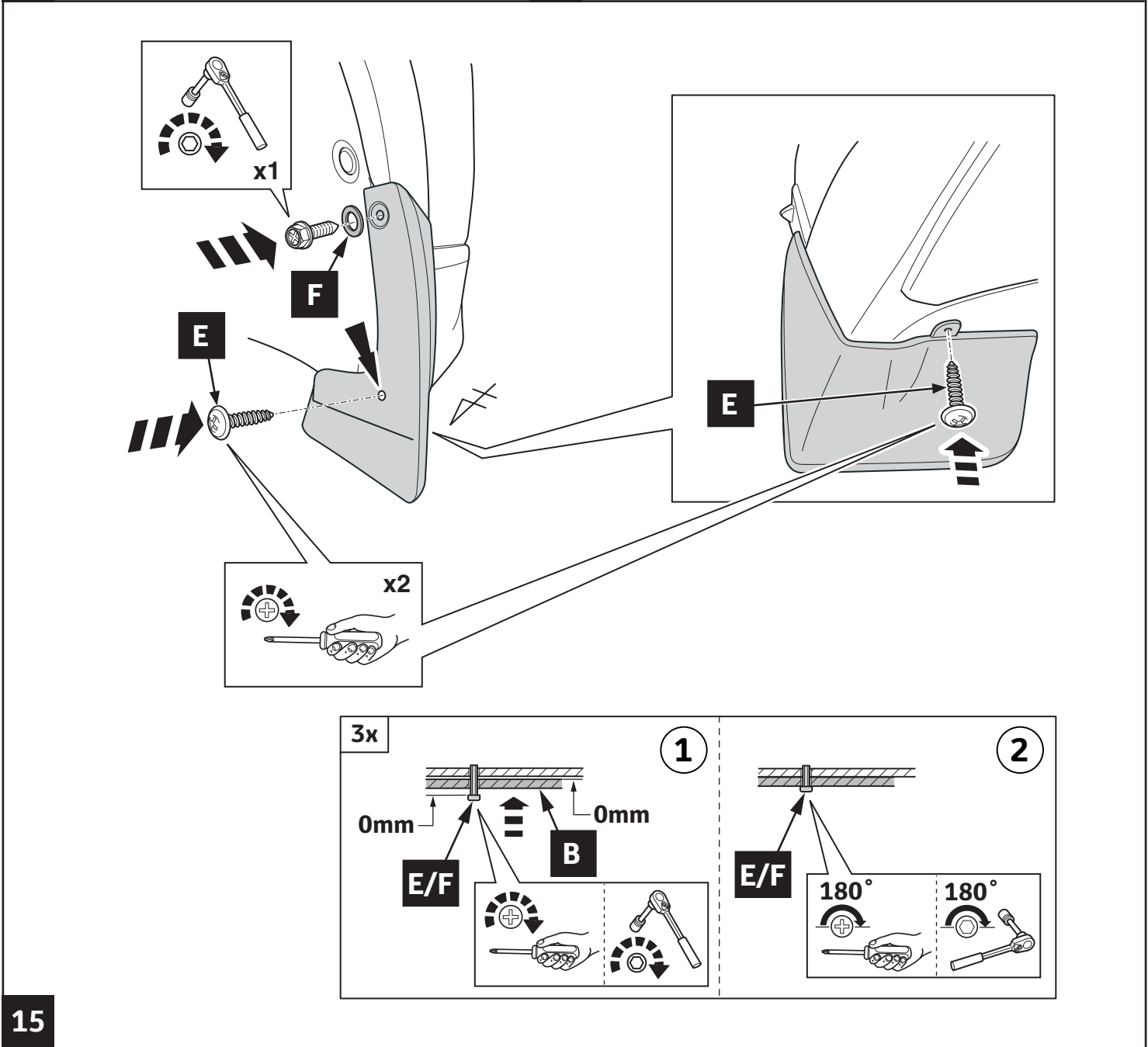
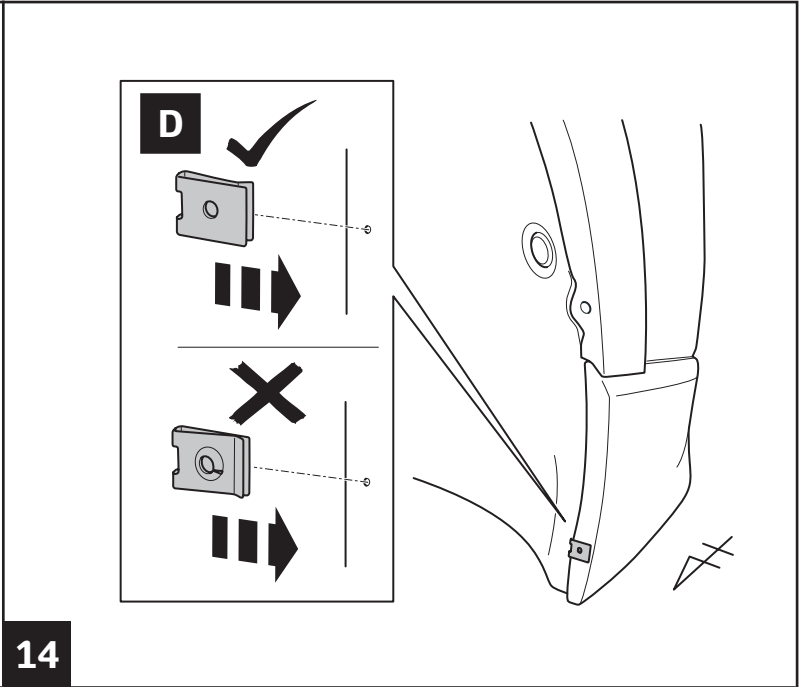
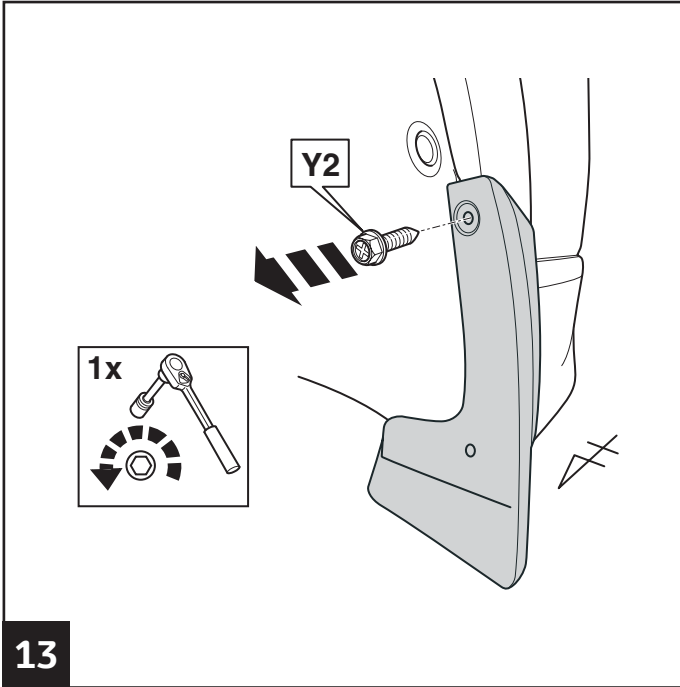
10

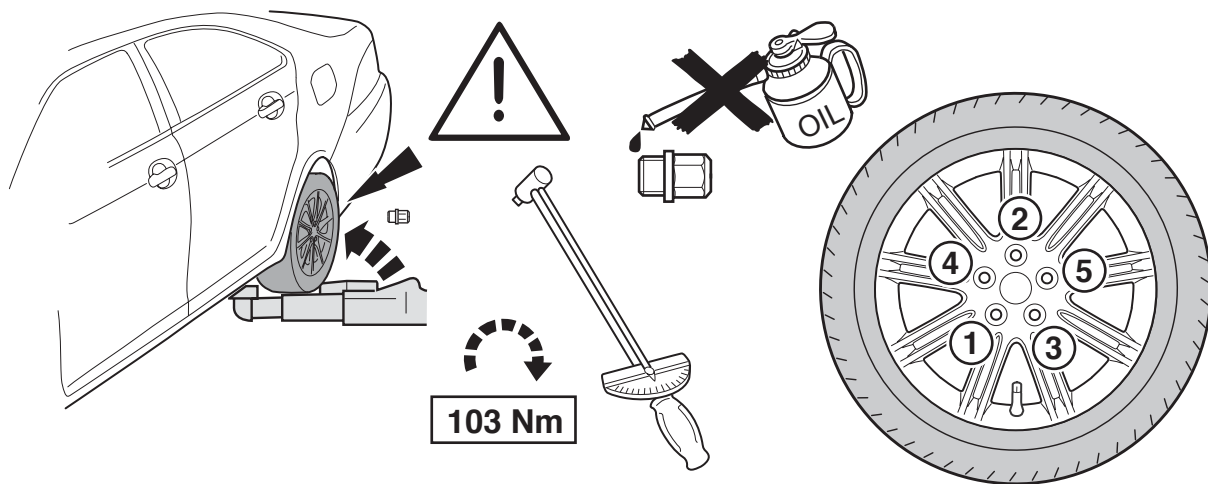
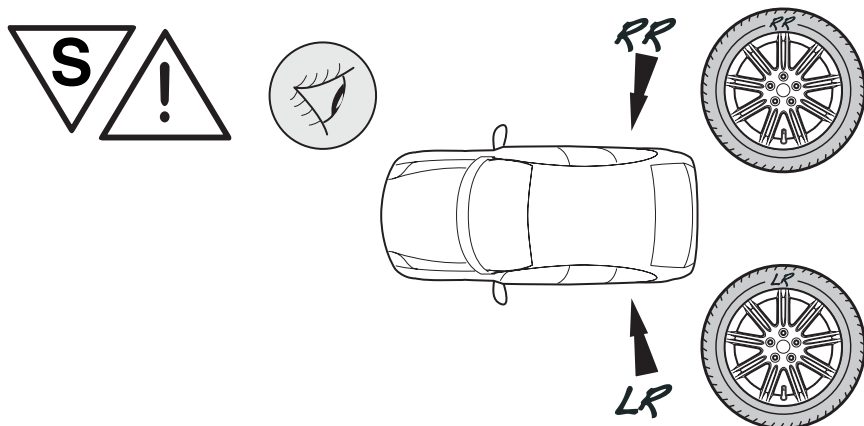
11



12











TOYOTA

ALWAYS A BETTER WAY

# CHECK SHEET

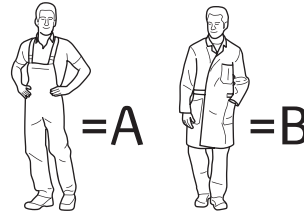
Page 1 of 1

Model/Year **Toyota C-HR** Front & rear set mudflaps  
2019/10

VIN n°

## DURING INSTALLATION

**1** **P/N = OK**



**2**

**LH = RH**

**3**

**LH = RH**

**103 Nm** **Serial Number**

**A**  **A**   
**B**  **B**

**4**

## AFTER INSTALLATION

**1**   
 **= OK**

**Installation Date:**  
... / ... / ...

**Technician Name & Signature:**

**Stamp:**

