



TOYOTA

ALWAYS A
BETTER WAY

Yaris Hybrid

Exhaust pipe Finisher

Installation Instruction

Model year: 2012/04, 2014/07, 2017/03

Vehicle code: NHP130*-CHX*BW

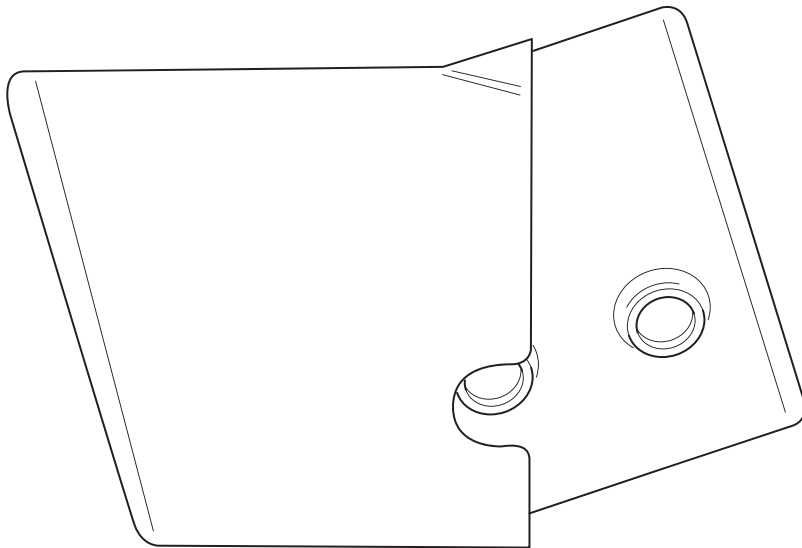
Part number: PZ467-B7490-00

Manual reference number: AIM 002 553-3

Revision Record

Rev. No.	Date	Page	Picture	Update	New	Deleted steps
1	20-06-12	4	5	Torque tightening		
2	06-06-14	all	all	X	Check Sheet	
3	29-07-16				Model Year	

PZ467-B7490-00



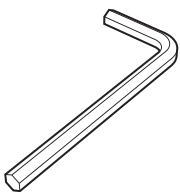
M8x16

A

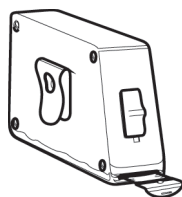
1x

B

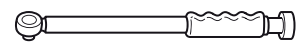
4x



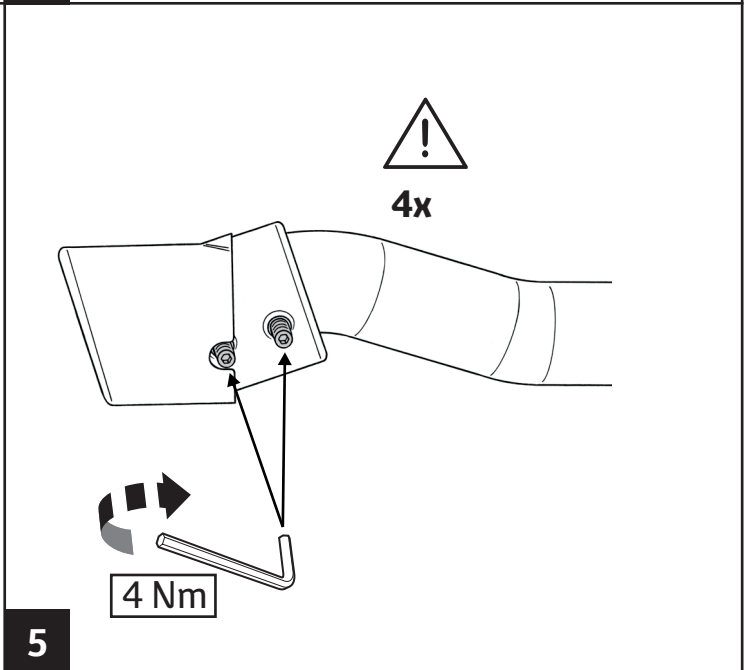
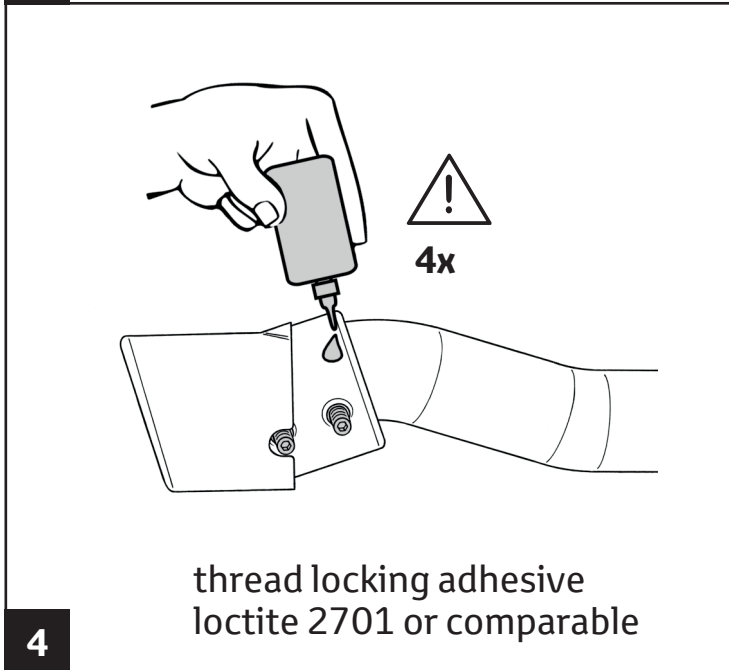
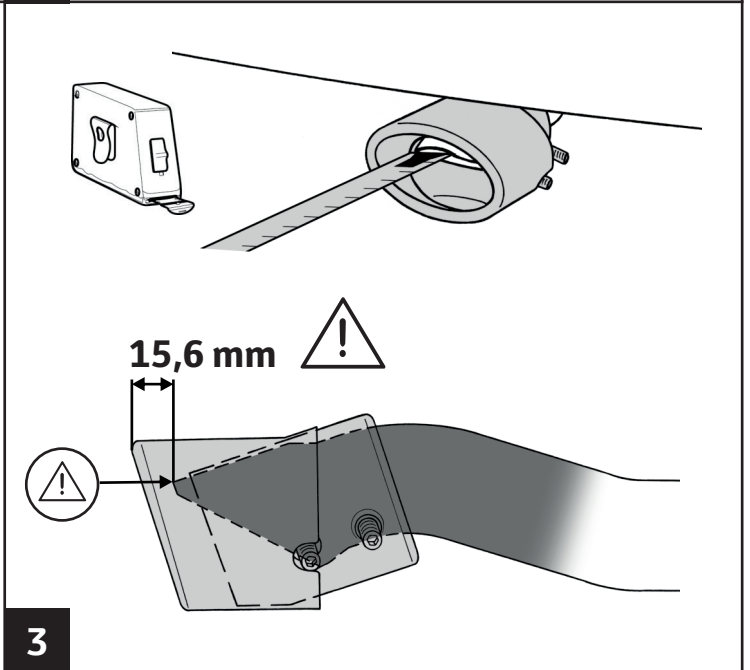
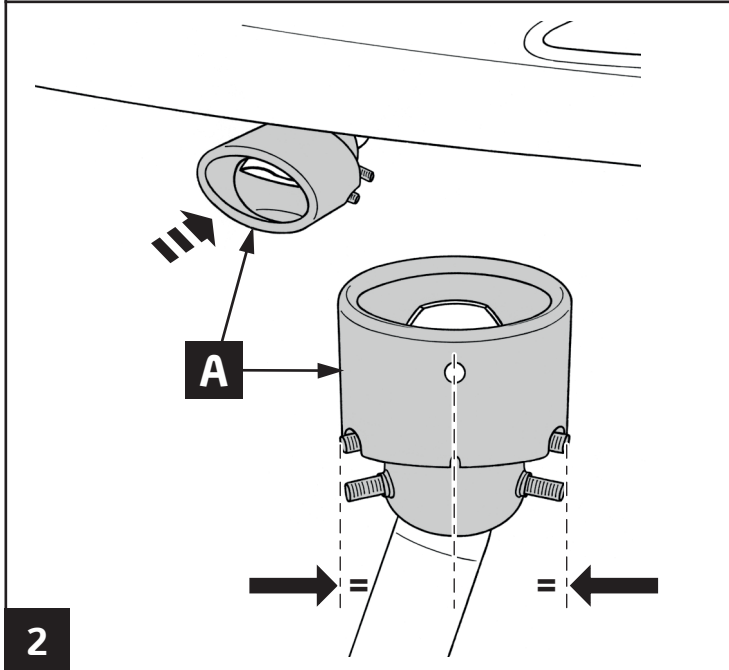
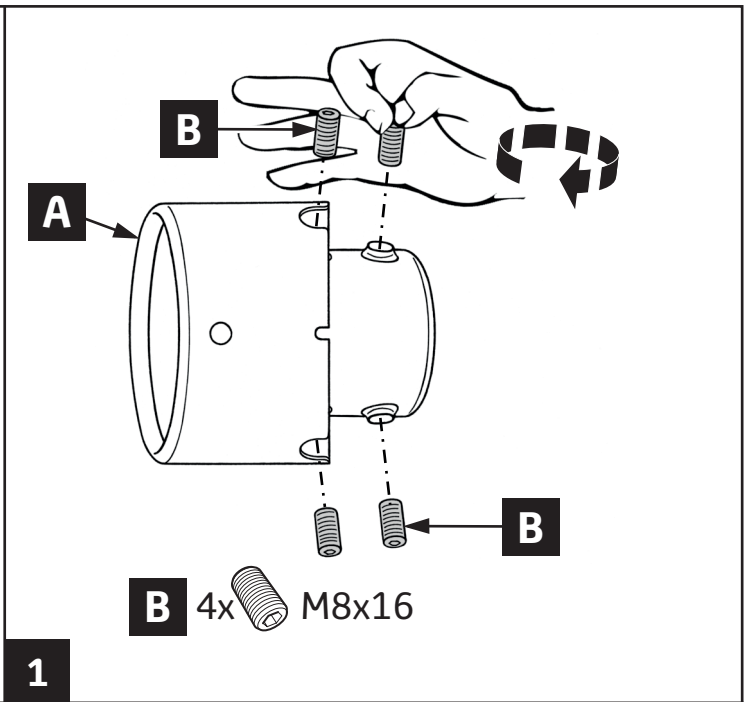
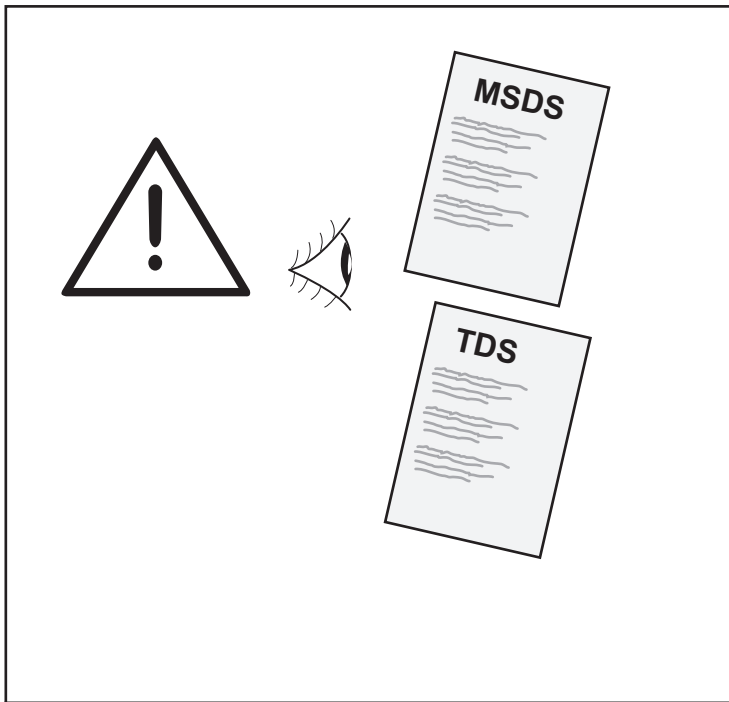
4 mm



loctite 2701



Click



CHECK SHEET




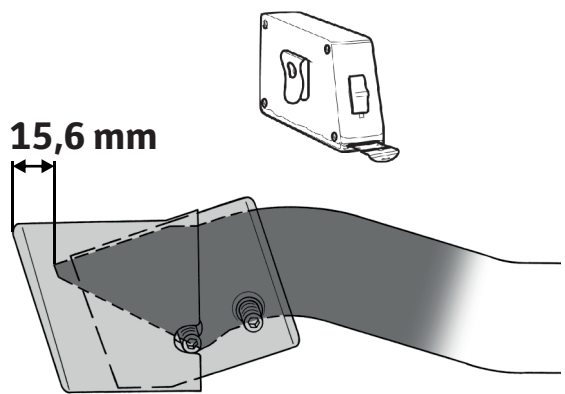
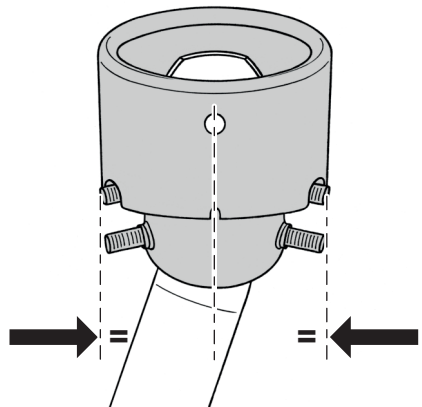
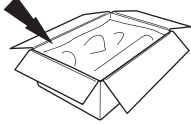
TOYOTA

Model / Year Yaris Hybrid
2012/04, 2014/07, Exhaust Pipe Finisher
2017/03

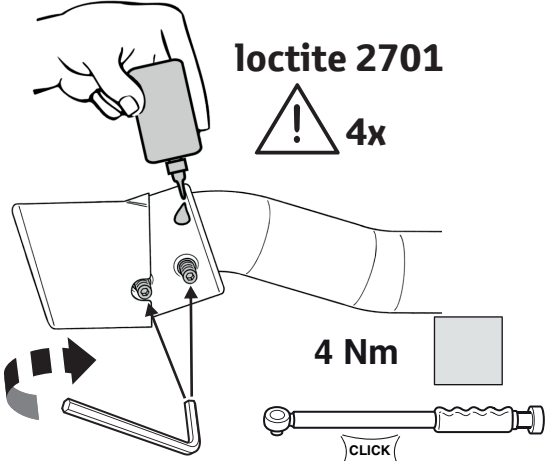
VIN n°

ALWAYS A
BETTER WAY

 **P/N = OK**



15,6 mm



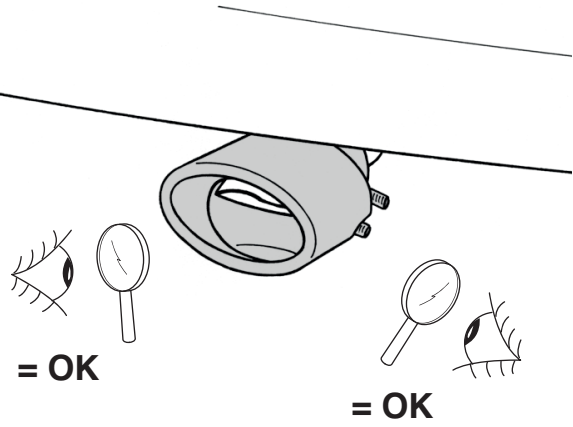
loctite 2701

! 4x

4 Nm

Serial Number

CLICK



= OK

= OK

Installation Date:

... / ... /

Technician Name & Signature:

Stamp: