



**TOYOTA**

ALWAYS A  
BETTER WAY

# RAV4

## Half Height Dog Guard with Divider

Installation Instructions

Model year: 2012/12, 2015/10

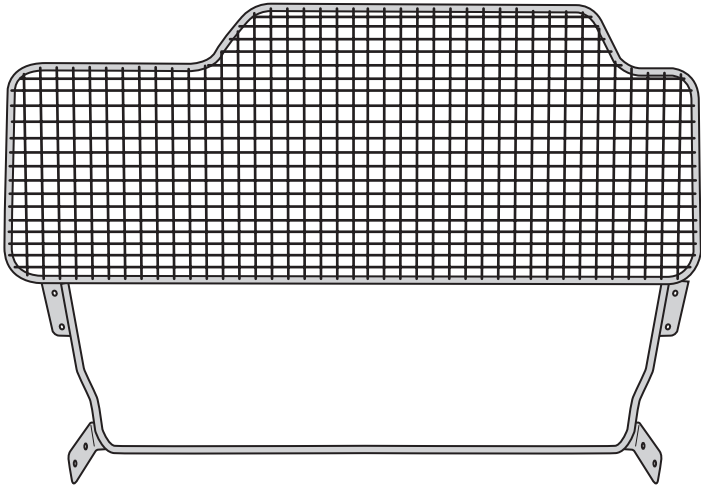
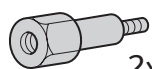
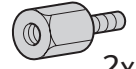



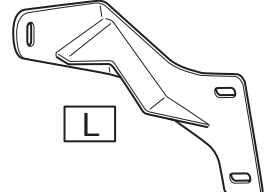
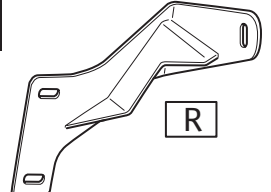
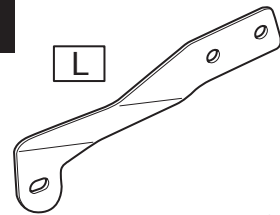
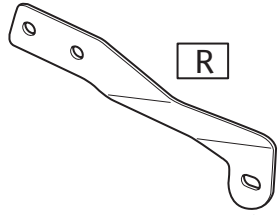


Vehicle code: \*\*A4\*\*-AN\*\*\*W

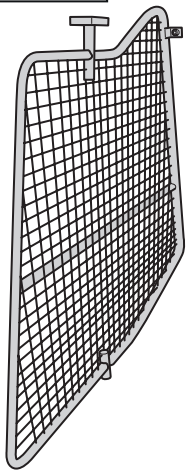
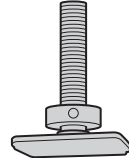


Part number:	Dog Guard:	PZ483-X2123-00 - Conventional
	Divider:	PZ483-X2124-00 - Conventional
	Dog Guard:	PW255-OR000 - Hybrid
	Divider:	PW255-OR001 - Hybrid

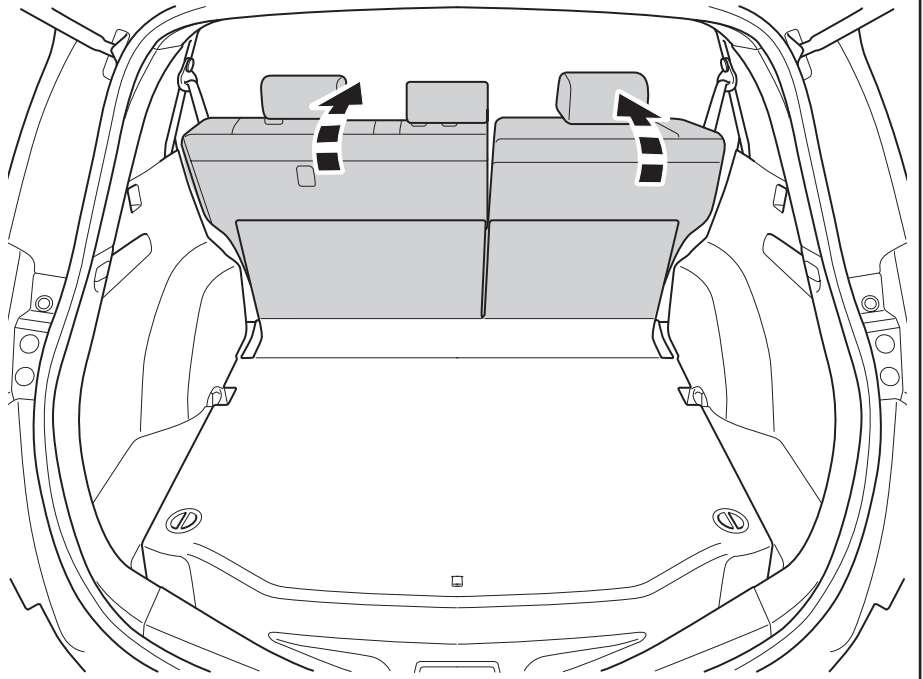
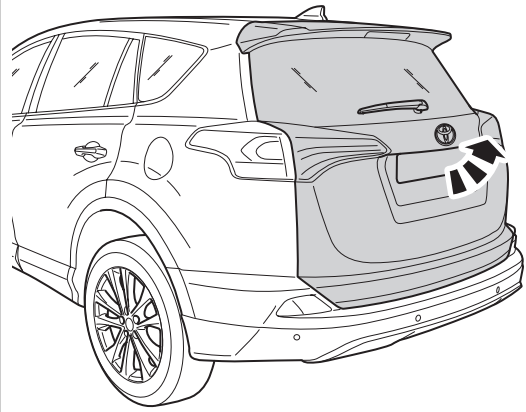
Manual reference number: AIM 003 608-0

# Revision record

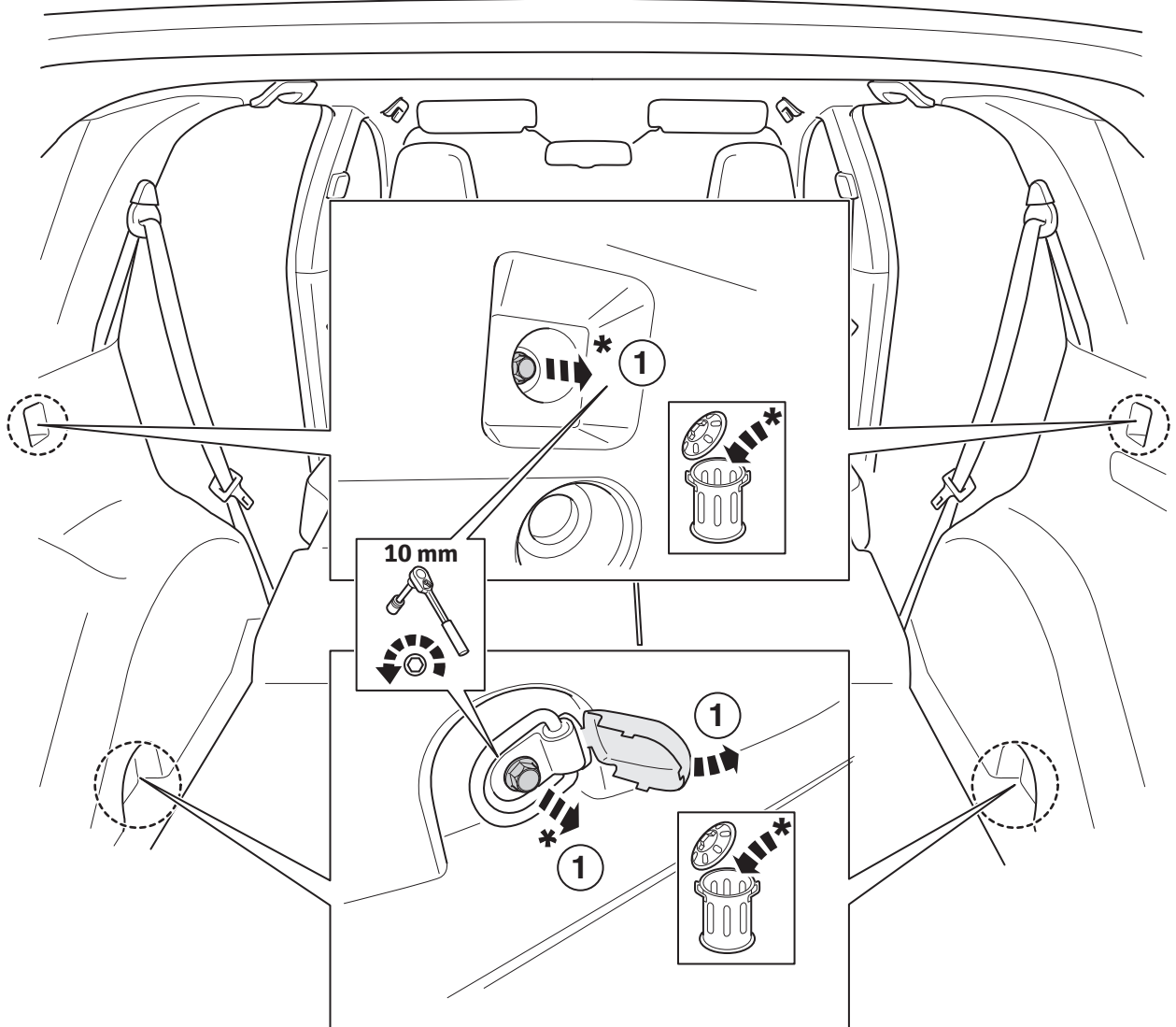
Rev. No.	Date	Page	Picture	Update	New	Deleted steps

<b>A</b> <div style="display: flex; justify-content: space-between;"> <div style="border: 1px solid black; padding: 2px;">PW255-0R000</div> <div>Hybrid</div> </div> <div style="display: flex; justify-content: space-between;"> <div style="border: 1px solid black; padding: 2px;">PZ483-X2123-00</div> <div>Conventional</div> </div>  <p style="text-align: right;">1x</p>	<div style="display: flex; justify-content: space-between;"> <div style="border: 1px solid black; padding: 2px;">PW255-0R010</div> <div>Hybrid</div> </div> <div style="display: flex; justify-content: space-between;"> <div style="border: 1px solid black; padding: 2px;">PZ483-X2123-60</div> <div>Conventional</div> </div>
	<div style="display: flex; flex-wrap: wrap;"> <div style="width: 33%; text-align: center;"> <b>B</b>                    2x             </div> <div style="width: 33%; text-align: center;"> <b>C</b>                    2x             </div> <div style="width: 33%; text-align: center;"> <b>D</b>                    4x             </div> <div style="width: 33%; text-align: center;"> <b>E</b>                    8x             </div> <div style="width: 33%; text-align: center;"> <b>F</b>                    2x             </div> </div>
<div style="text-align: center;"> <b>G</b>                    L                  1x             </div>	<div style="text-align: center;"> <b>H</b>                    R                  1x             </div>
<div style="text-align: center;"> <b>I</b>                    L                  1x             </div>	<div style="text-align: center;"> <b>J</b>                    R                  1x             </div>
<div style="text-align: center;"> <b>K</b>                    12x             </div>	<div style="text-align: center;"> <b>L</b>                    12x             </div>

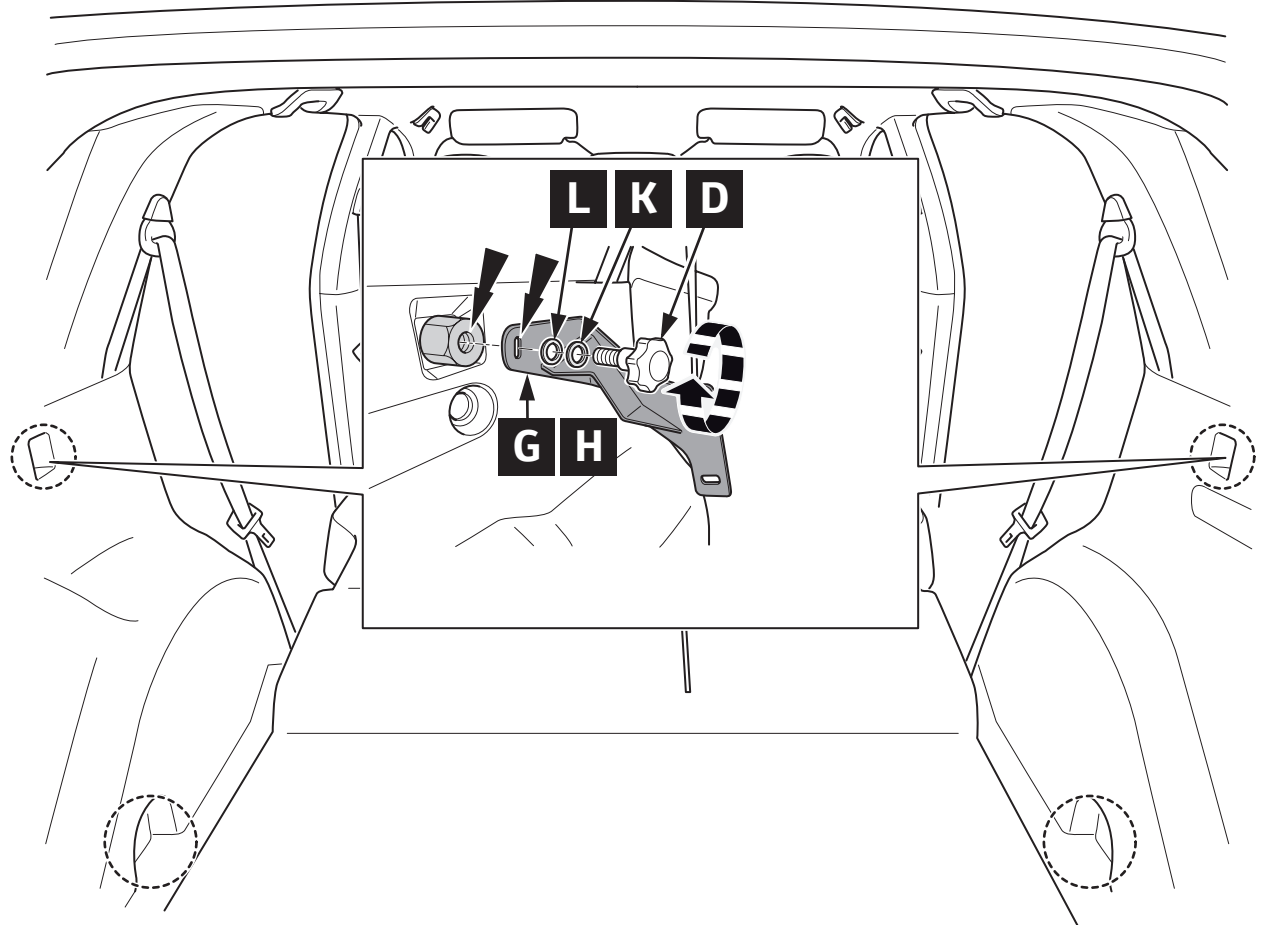
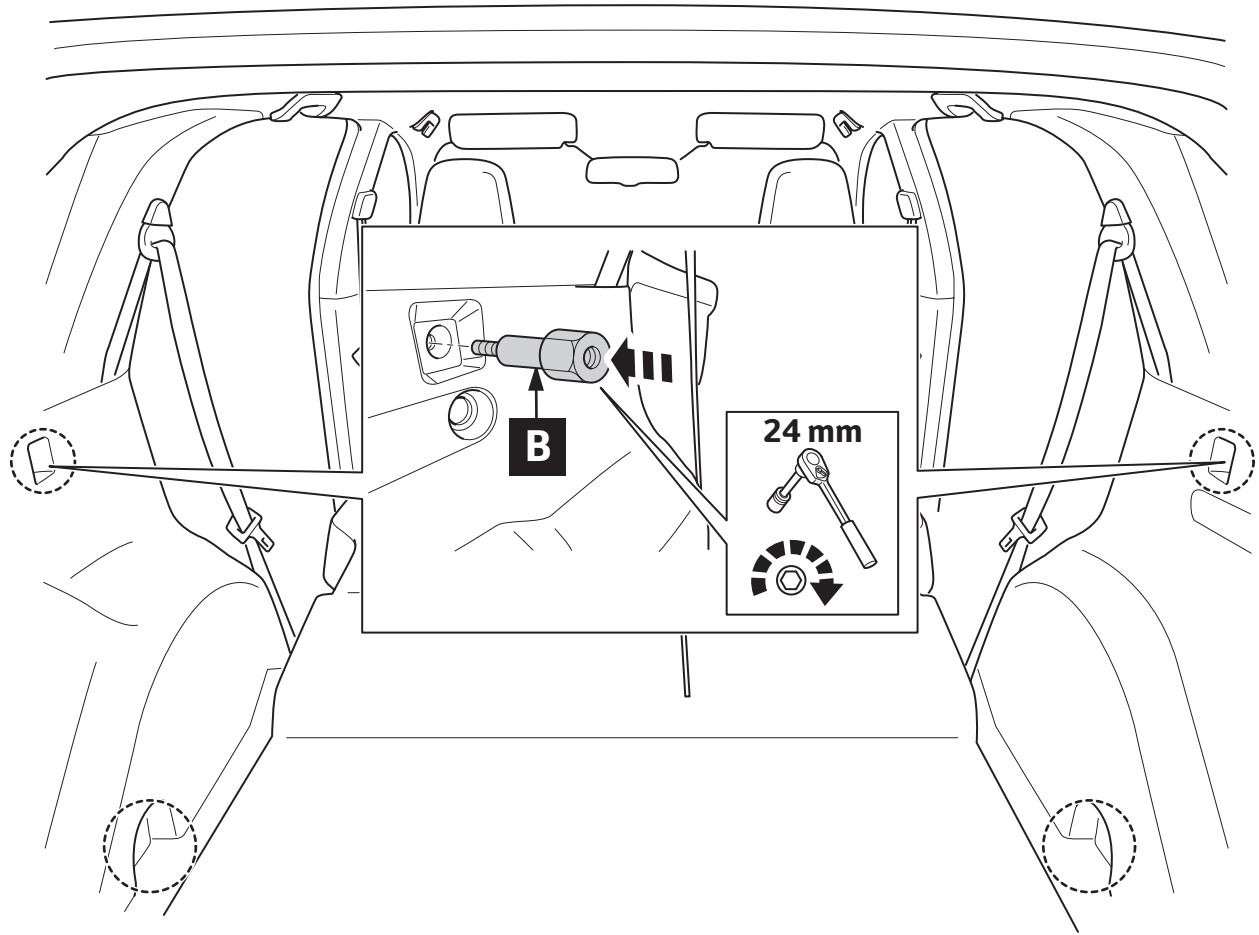
<b>M</b> <div style="display: flex; justify-content: space-between;"> <div style="border: 1px solid black; padding: 2px;">PW255-0R001</div> <div>Hybrid</div> </div> <div style="display: flex; justify-content: space-between;"> <div style="border: 1px solid black; padding: 2px;">PZ483-X2124-00</div> <div>Conventional</div> </div>  <p style="text-align: right;">1x</p>	<div style="display: flex; justify-content: space-between;"> <div style="border: 1px solid black; padding: 2px;">PW255-0R011</div> <div>Hybrid</div> </div> <div style="display: flex; justify-content: space-between;"> <div style="border: 1px solid black; padding: 2px;">PZ483-X2124-60</div> <div>Conventional</div> </div>
	<div style="text-align: center;"> <b>N</b>                    1x             </div>
<div style="text-align: center;"> <b>P</b>                    2x             </div>	<div style="text-align: center;"> <b>P</b>                    2x             </div>

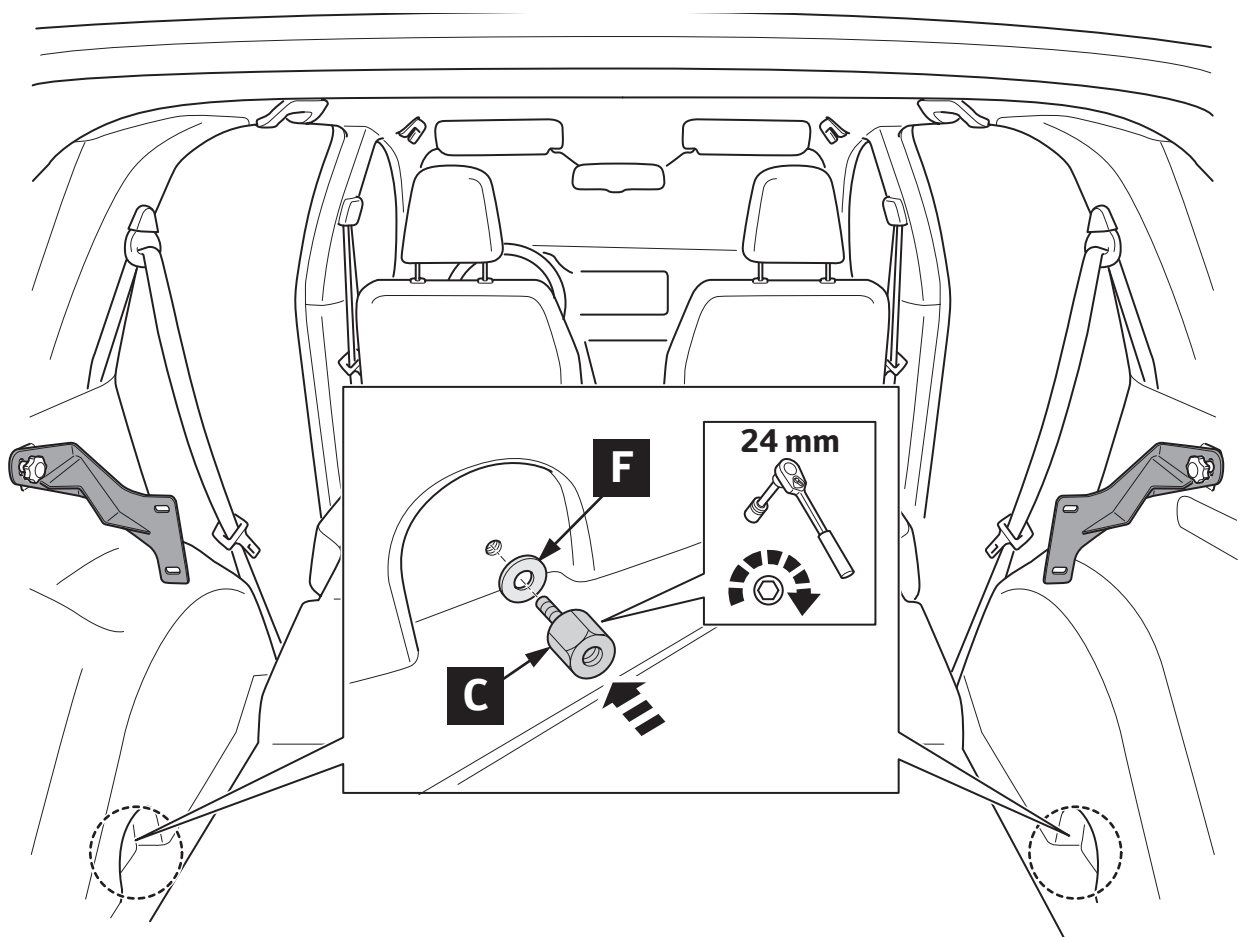


1

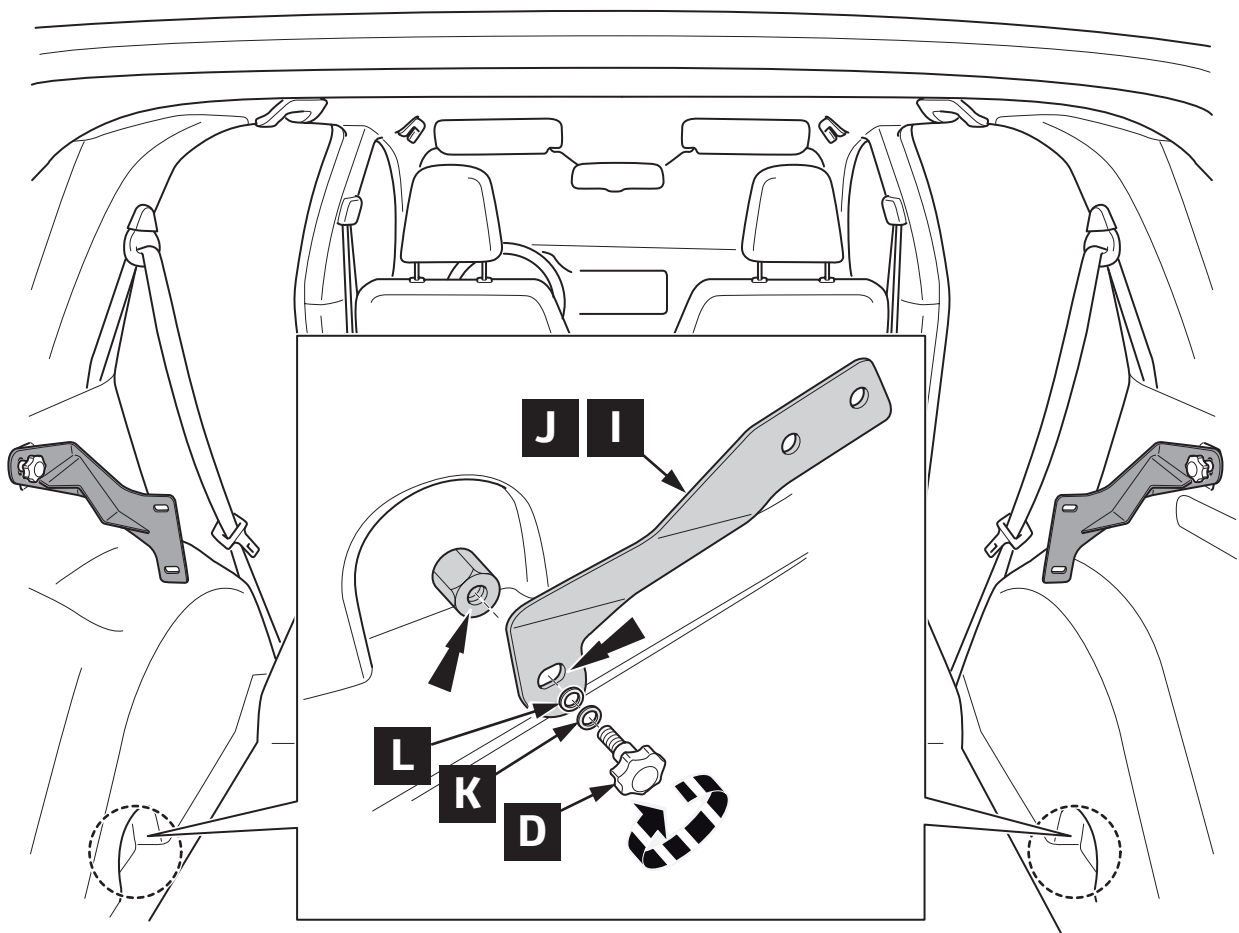


2

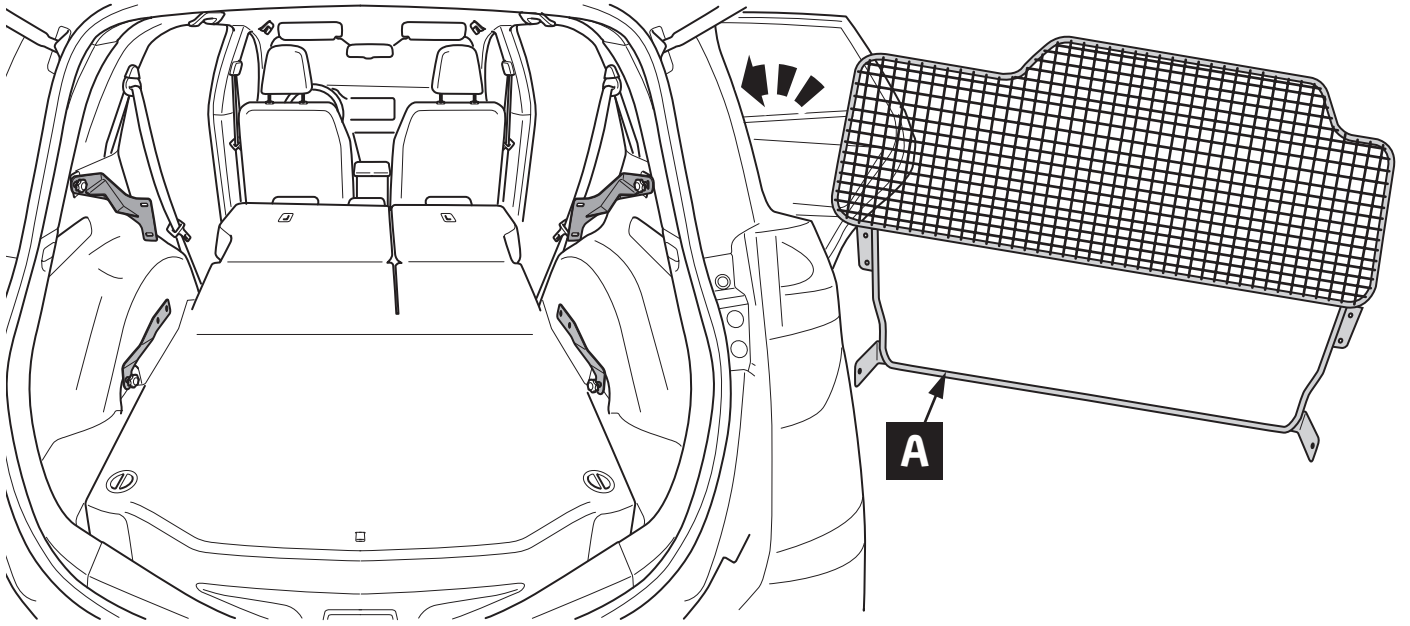




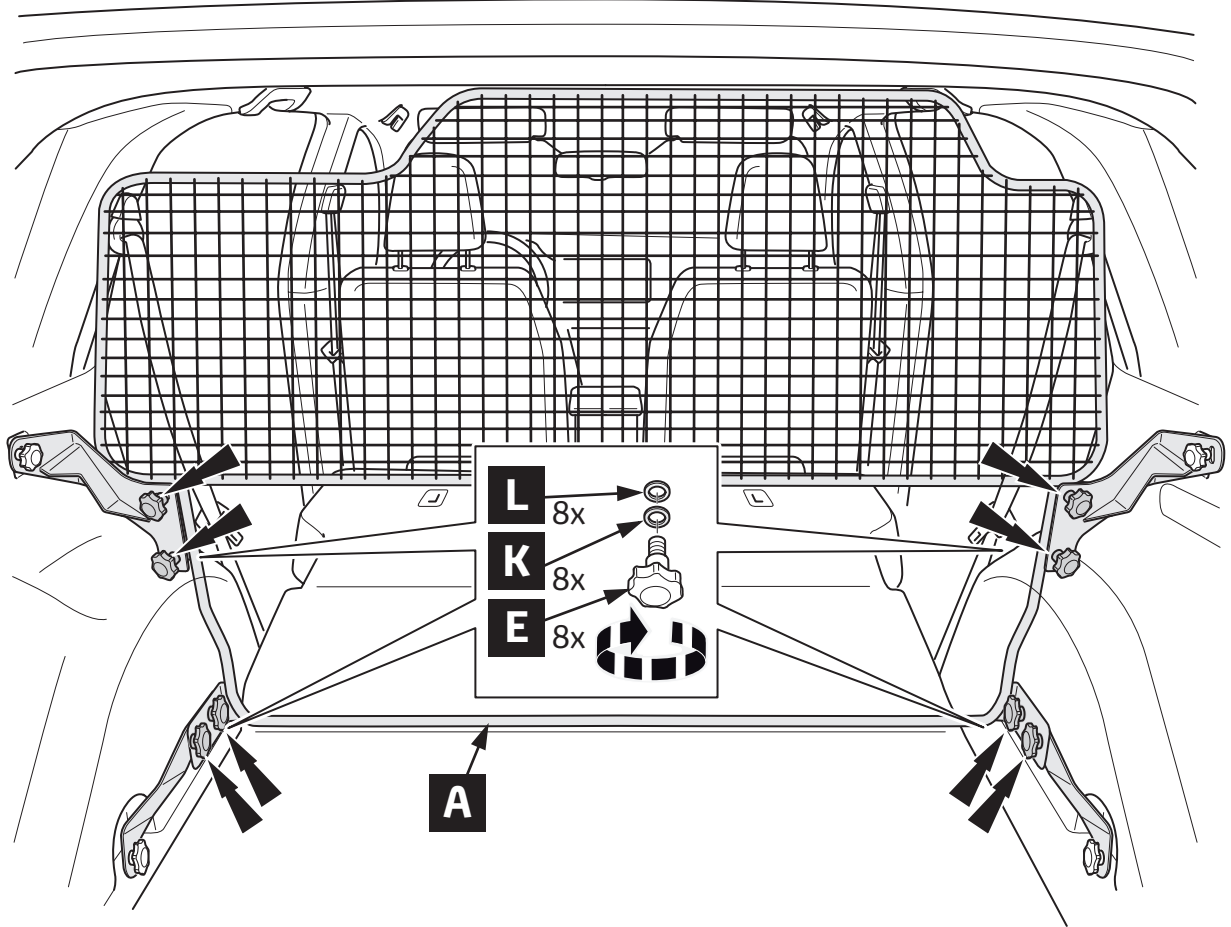
5



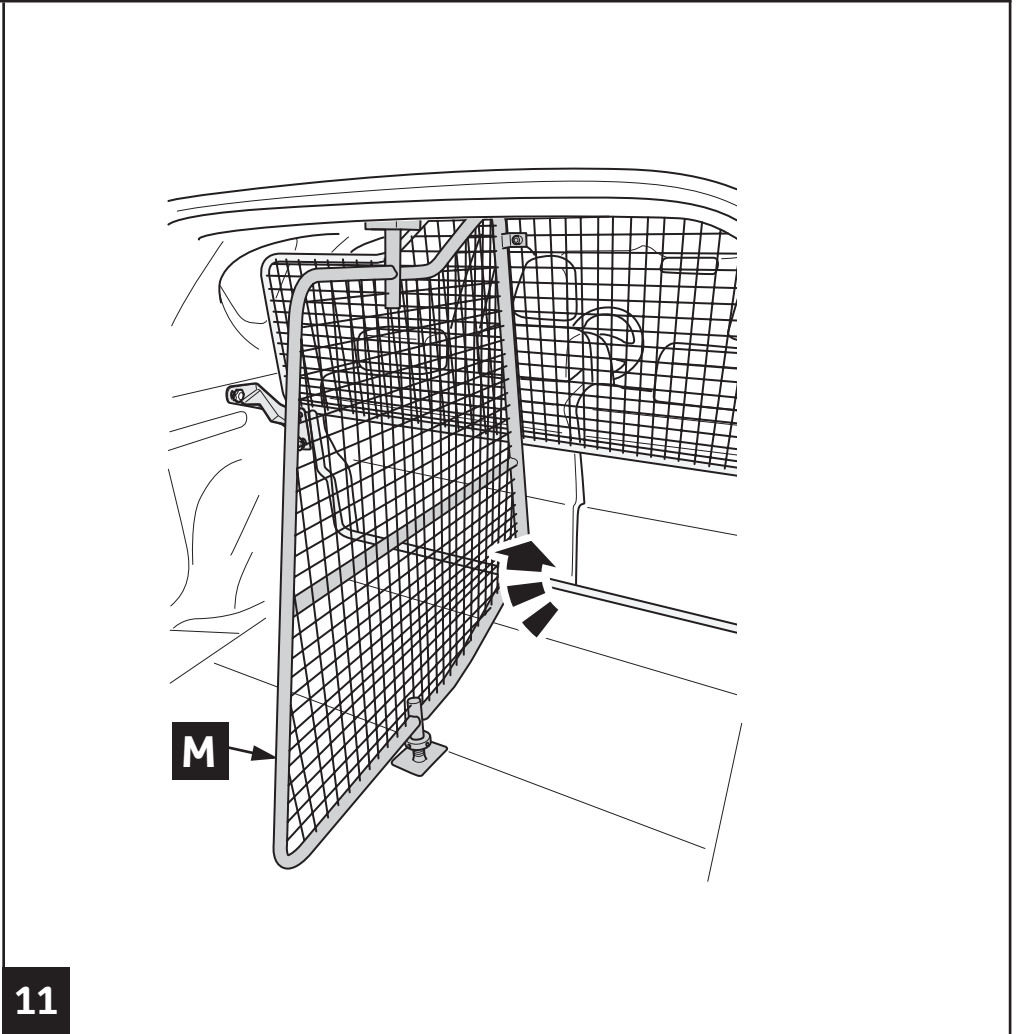
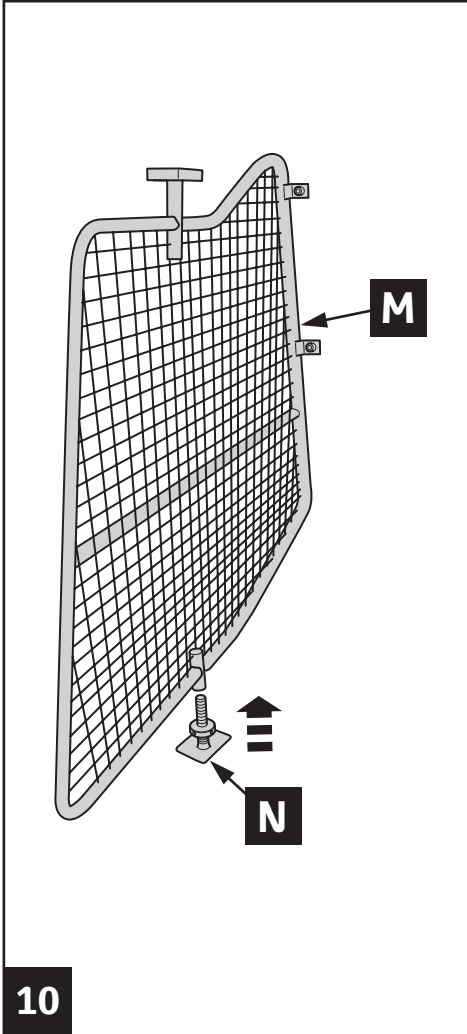
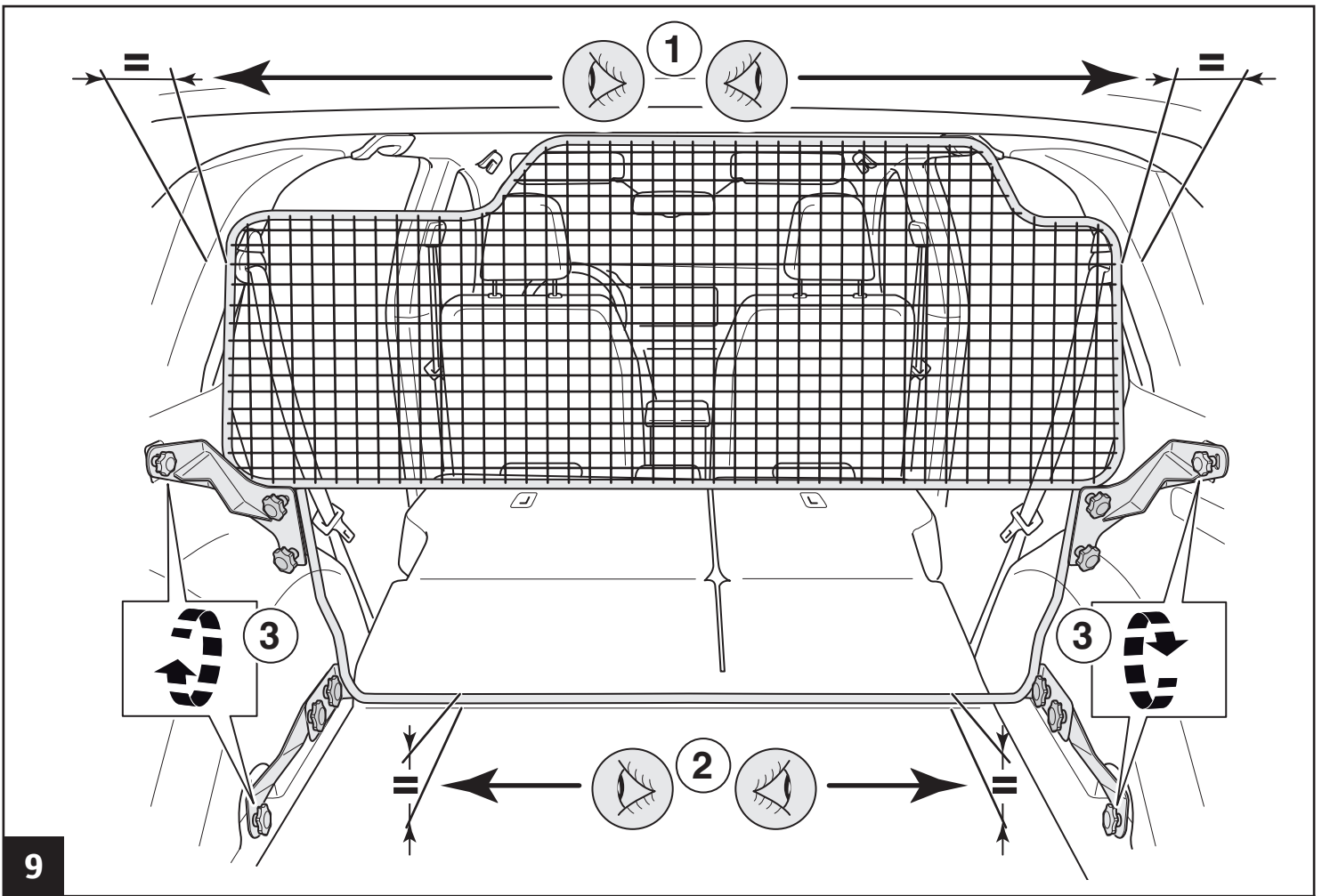
6



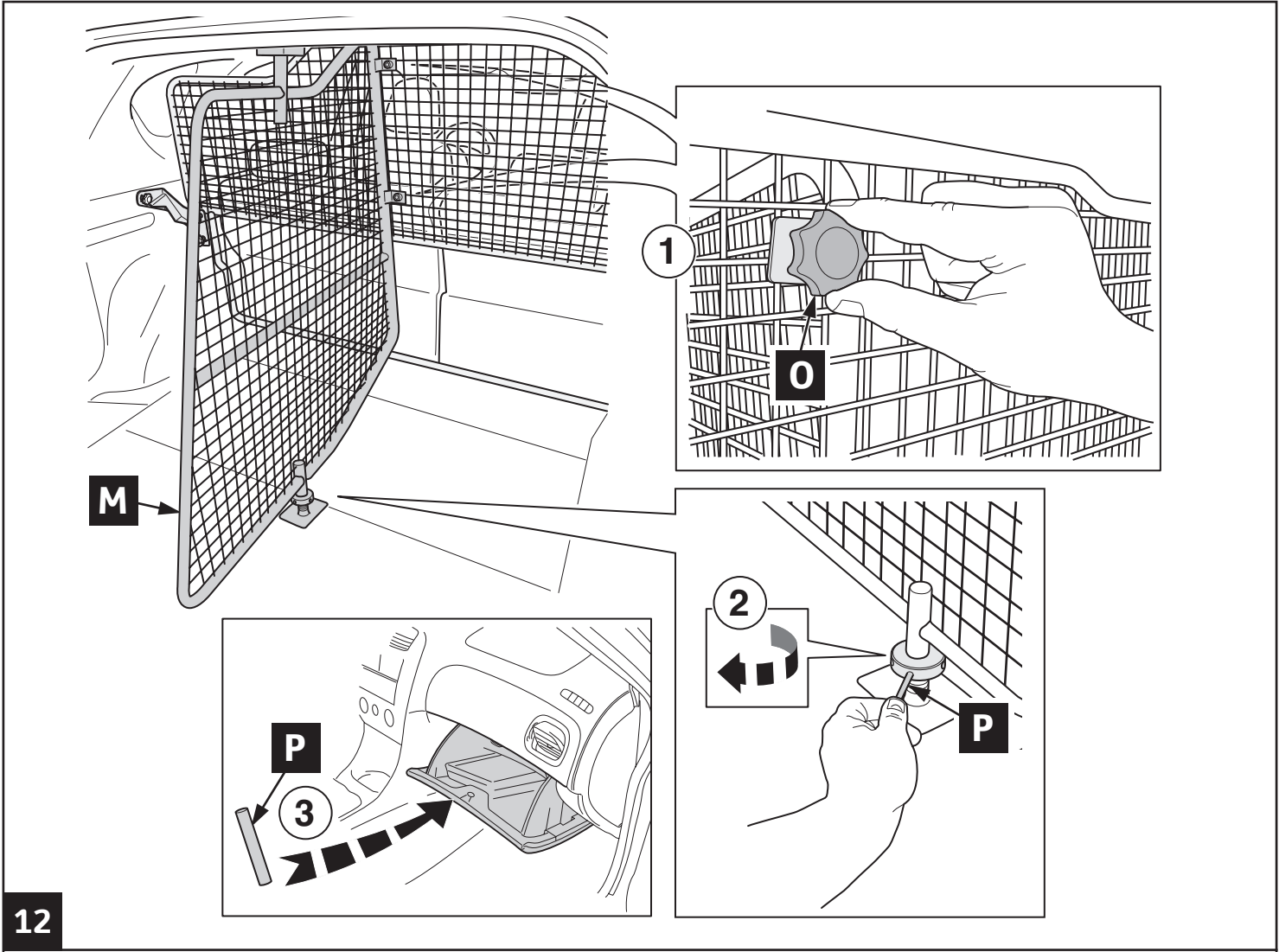
7



8







12





**TOYOTA**

# CHECK SHEET

Model / Year

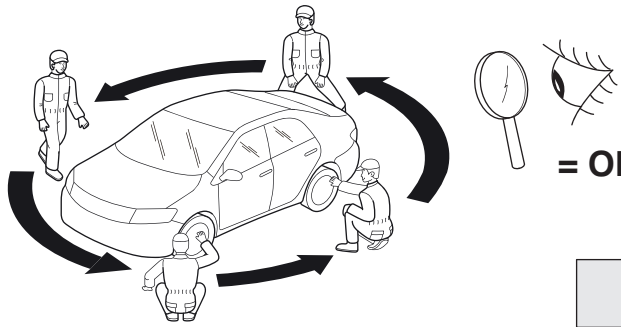
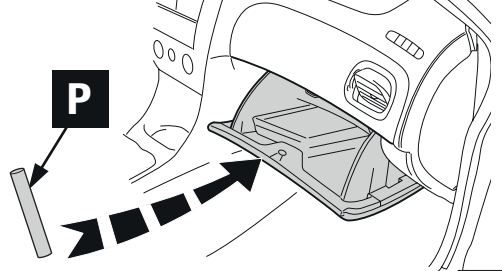
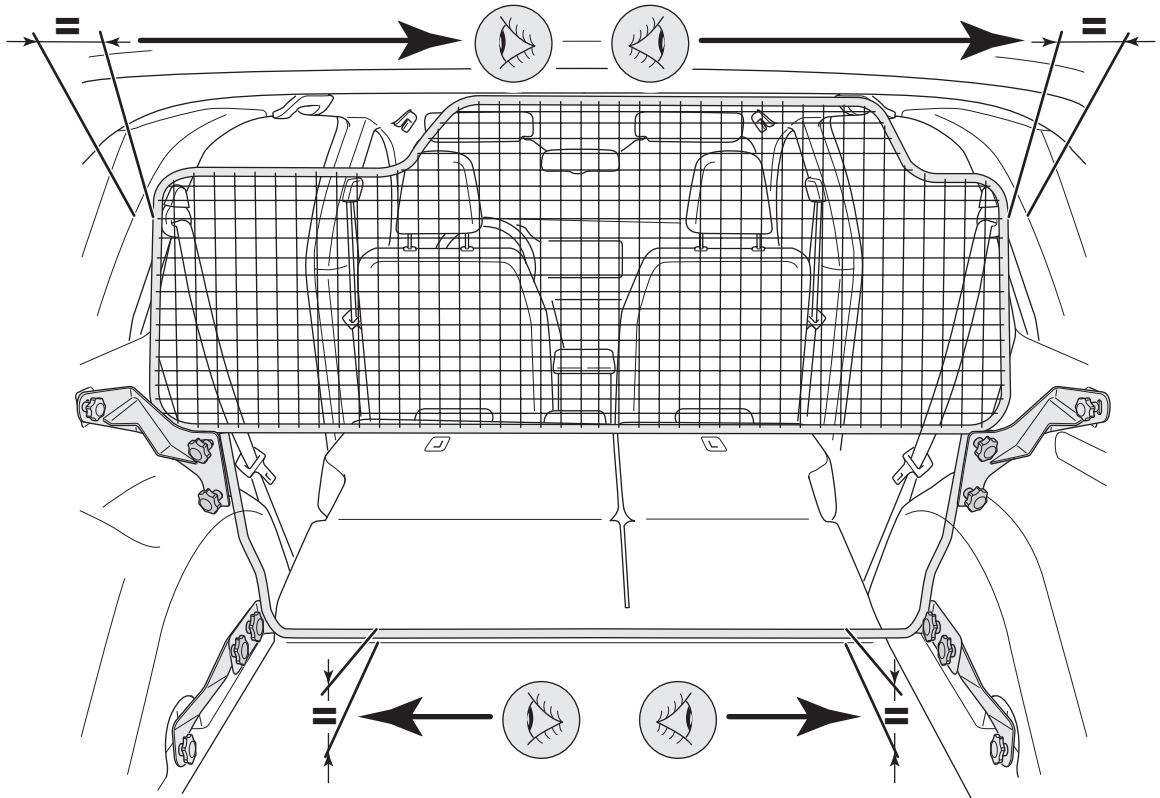
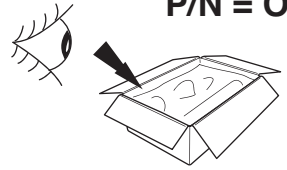
**RAV4**  
2012/12, 2015/10

**Dog guard**  
with divider

VIN n°

ALWAYS A  
BETTER WAY

**P/N = OK**



**= OK**

**Installation Date:**

... / ... / ...

**Technician Name & Signature:**

**Stamp:**