



TOYOTA

ALWAYS A
BETTER WAY

Toyota C-HR (1.2L & 1.8L HV)

Front & rear set mudflaps

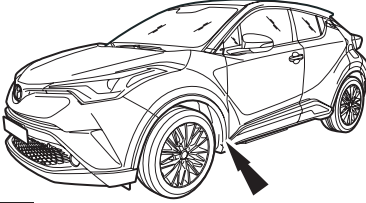
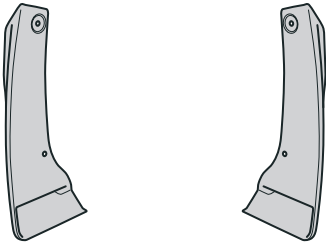
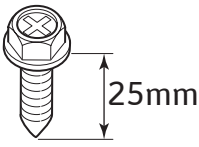
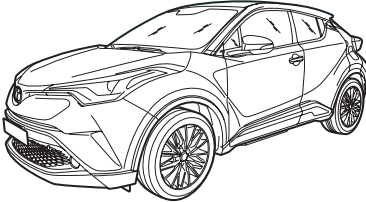
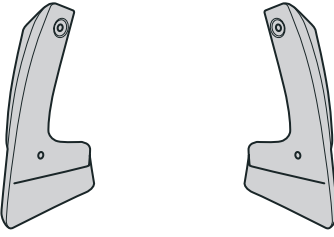

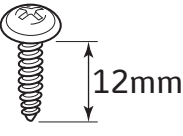
Installation Instructions




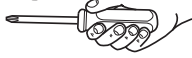
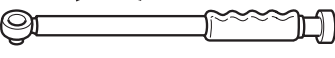

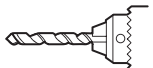
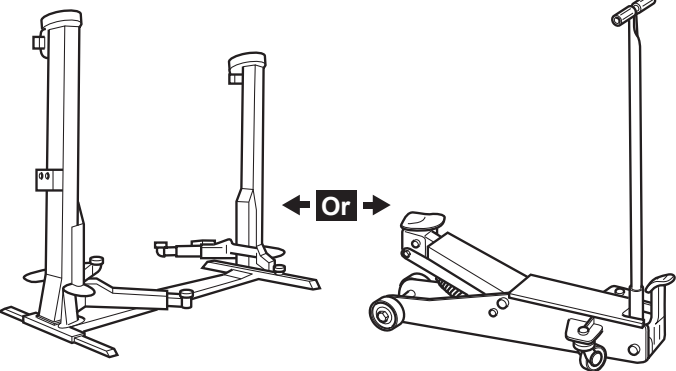


Model year:	As from 2016/09
Vehicle code:	NGX**-AHX*XW ZYX**-AHX*BW
Part number:	PW389-10000 (Rear & front set)

Manual reference number: AIM 003 779-3

Revision record

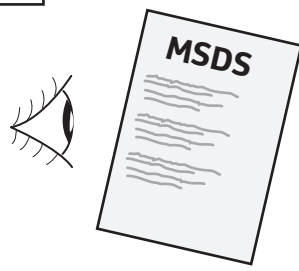
Rev. No.	Date	Page	Step	Remarks
3	23.06.2020	1, 9		Model year updated.
3	23.06.2020	2, 3	Tools, 1	Updated & added.
3	23.06.2020	8, 9	16, CS	Torque value updated.

 <p>A</p>	 <p>1x</p>	 <p>C 25mm 4x</p>
 <p>B</p>	 <p>1x</p>	 <p>D 2x</p>
		 <p>E 12mm 4x</p>

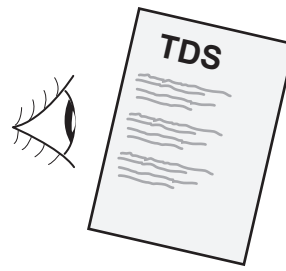
 <p>DEGREASER CLEANER</p> <p>AIM 003 516-*</p>		<p>PH2 </p> 	 <p>CLICK</p>
 <p>10 mm 21 mm</p>	<p>Cobalt drill bits</p>  <p>Ø 6 mm</p>	 <p>← Or →</p>	
			

INFORMATION

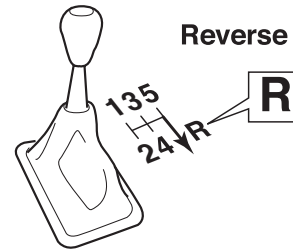
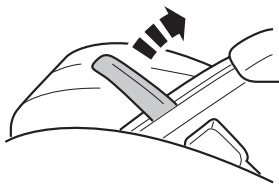
3



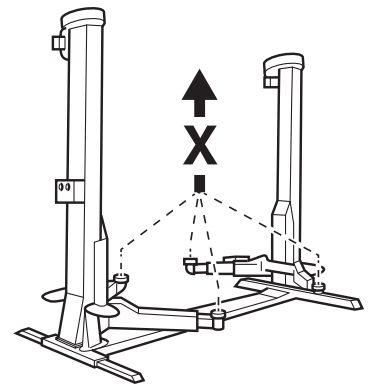
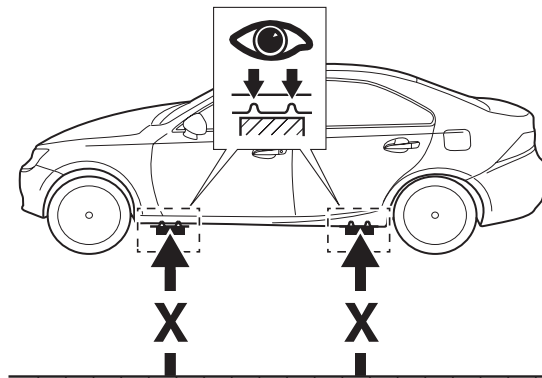
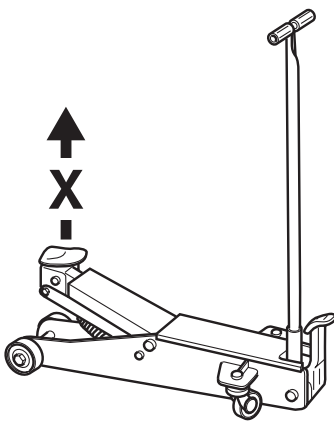
Material Safety Data Sheet



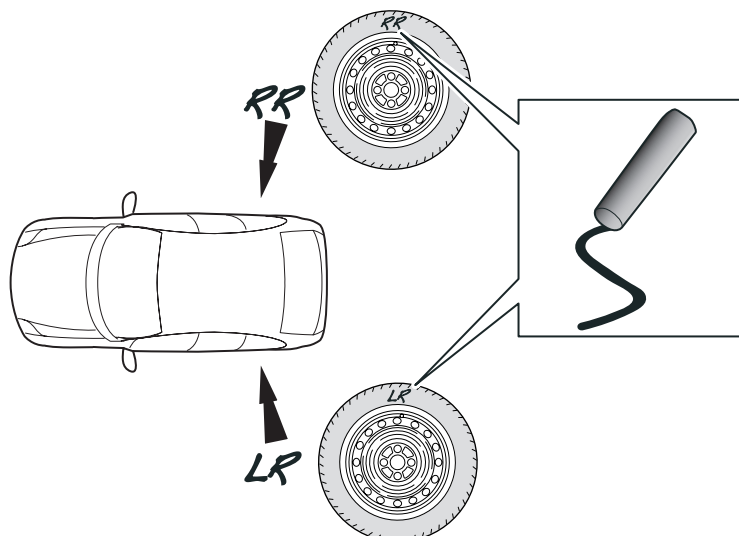
Technical Data Sheet



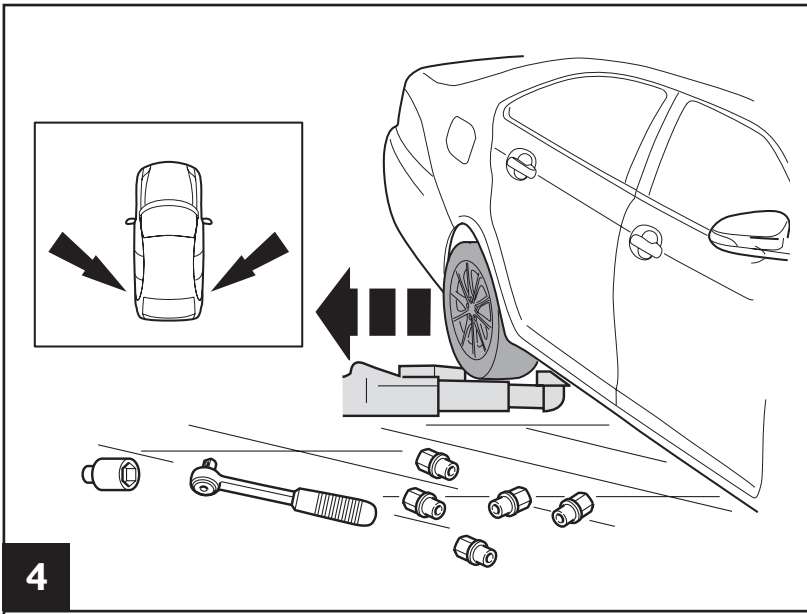
1



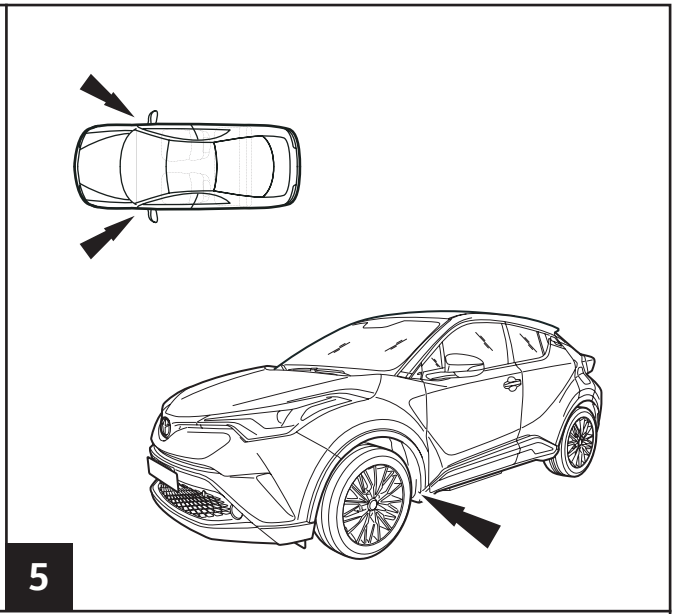
2



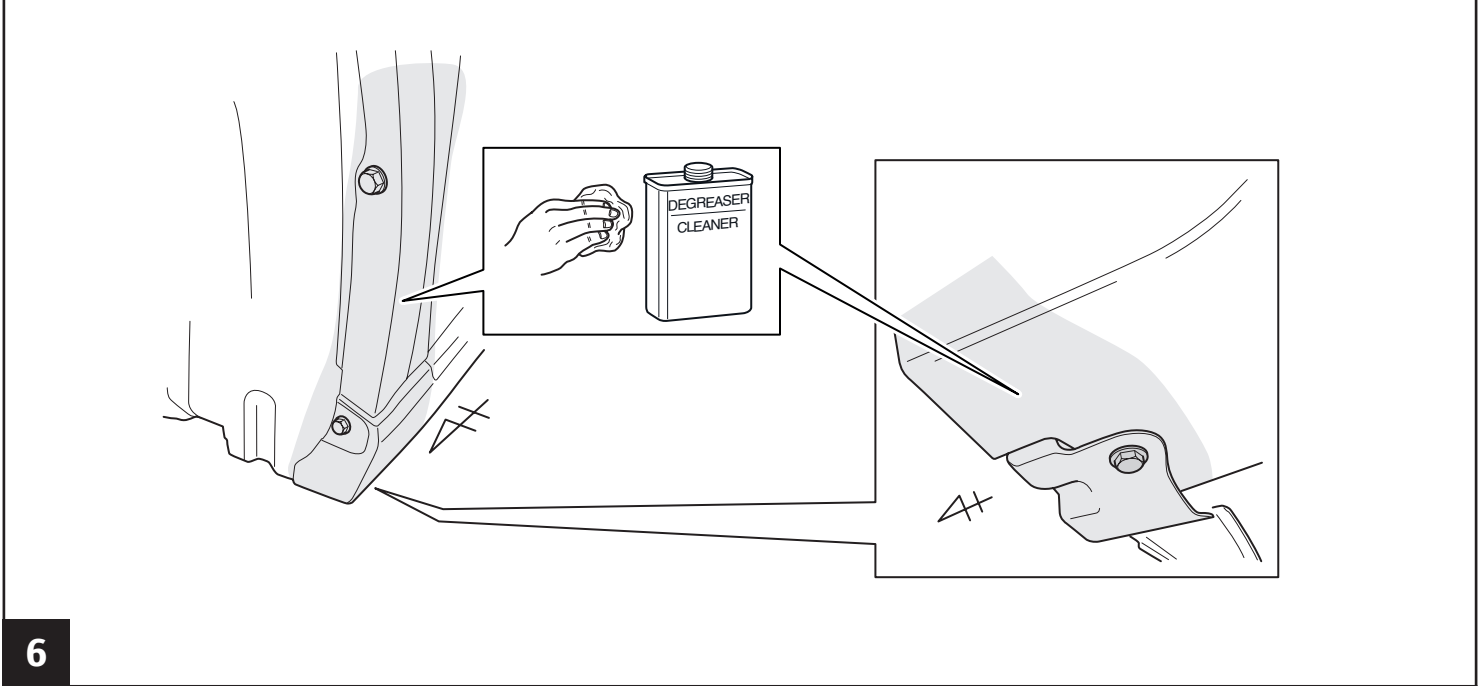
3



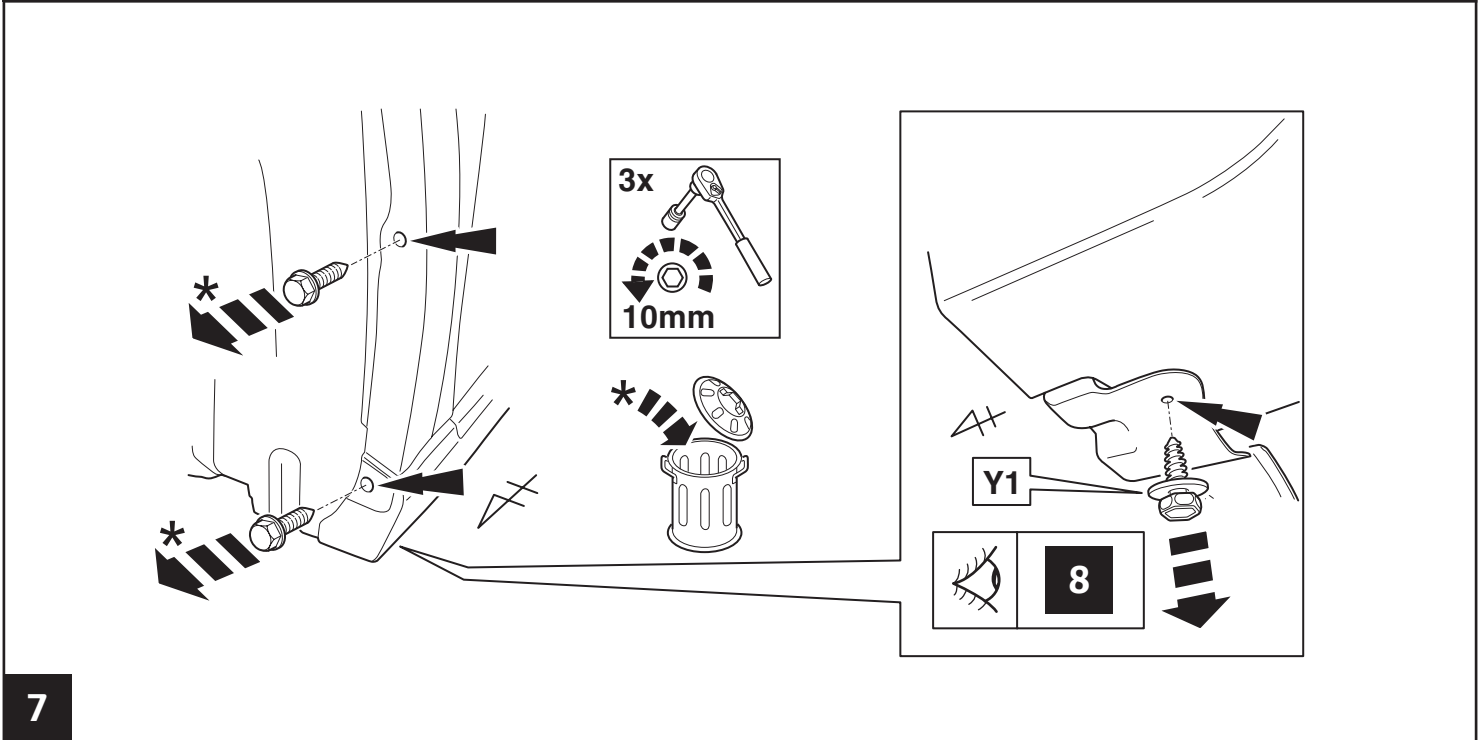
4



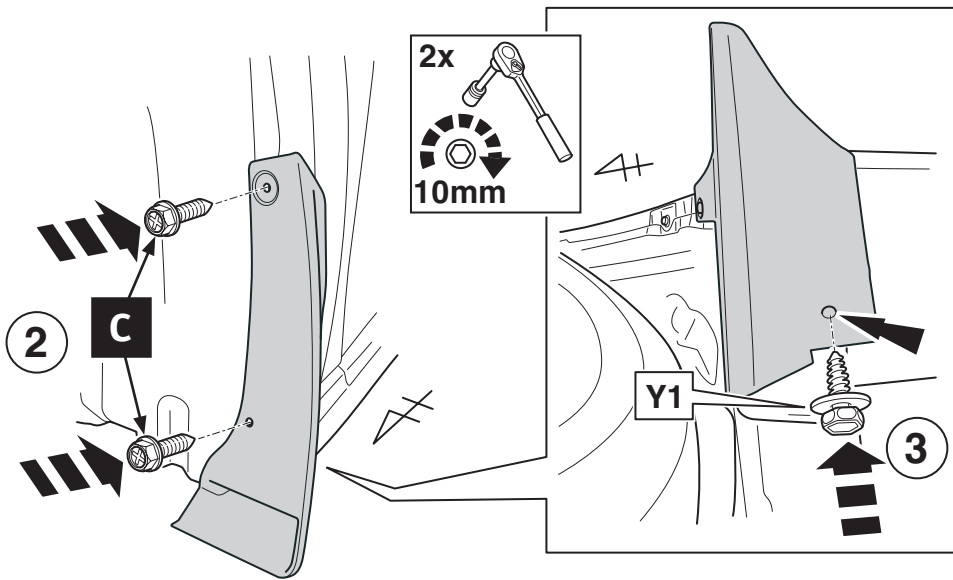
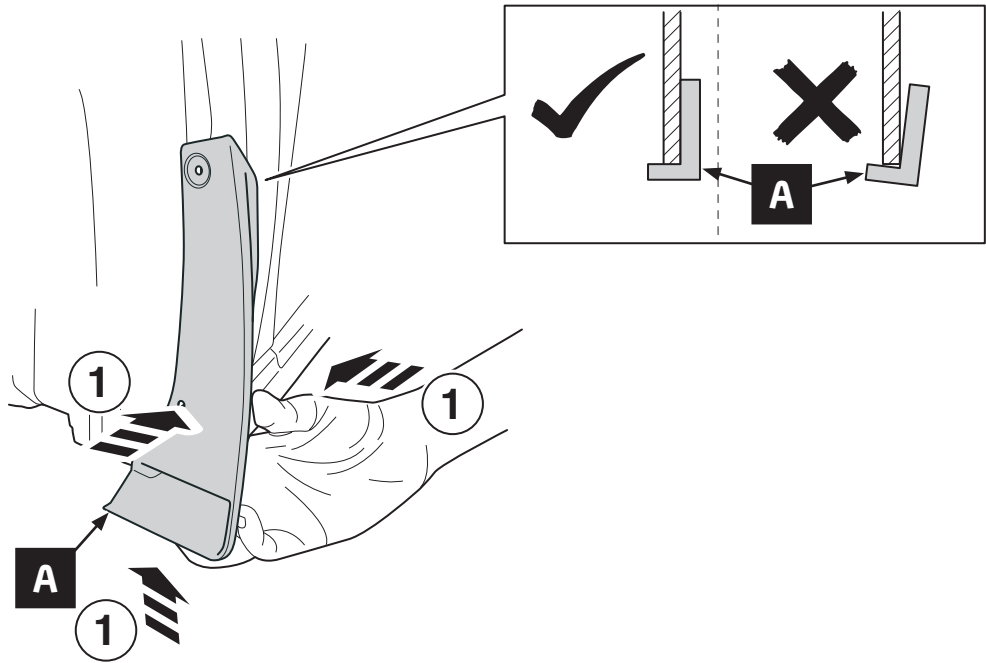
5



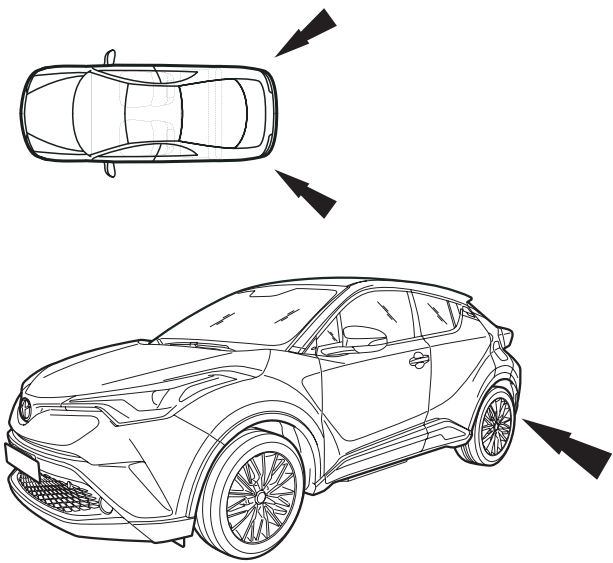
6



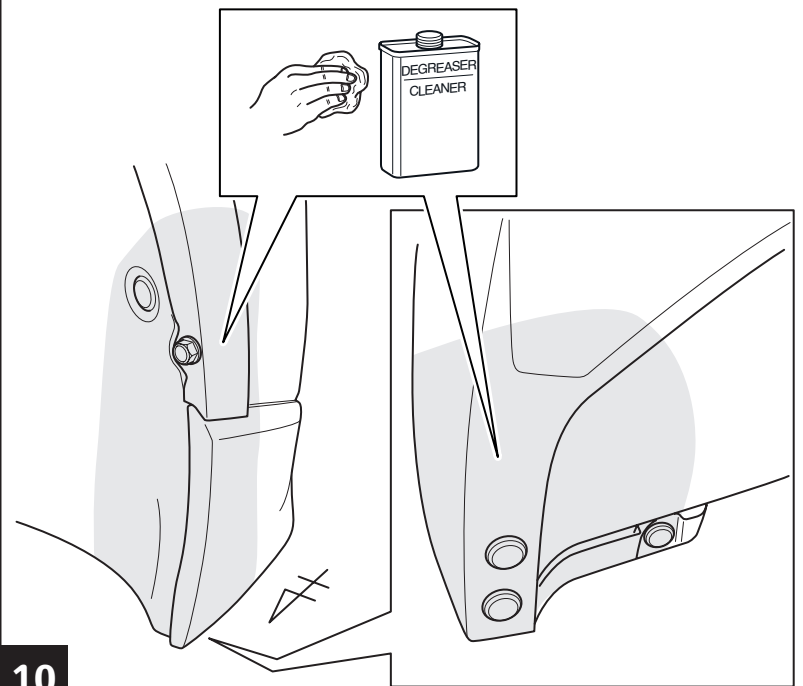
7



8

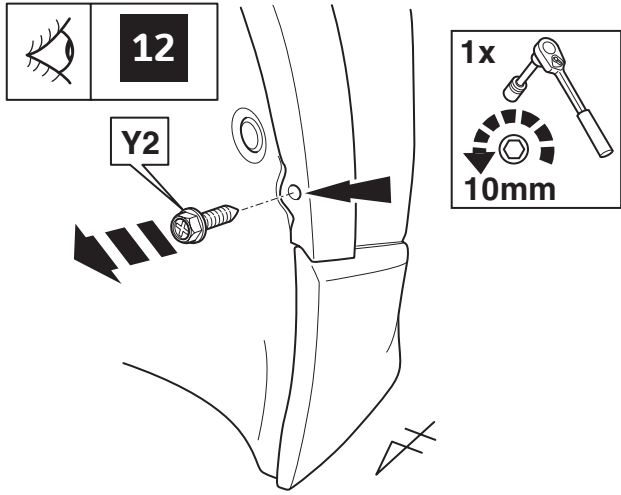


9

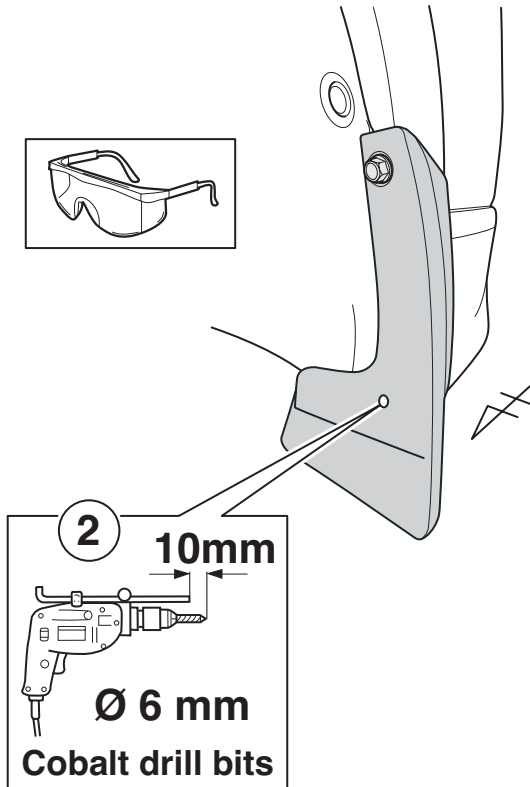
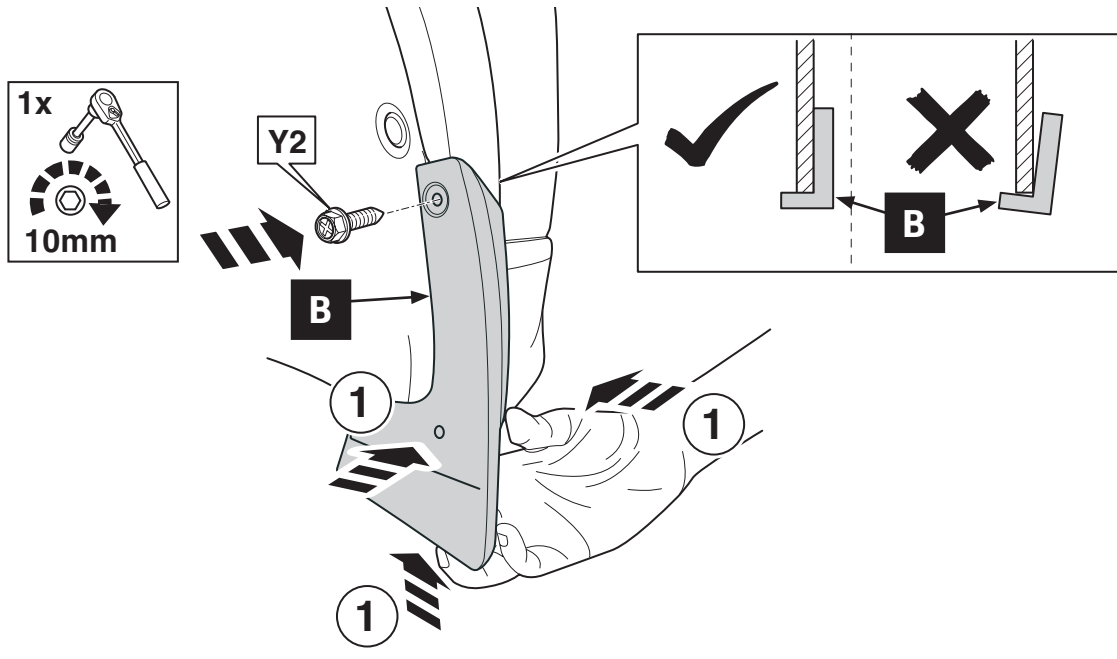


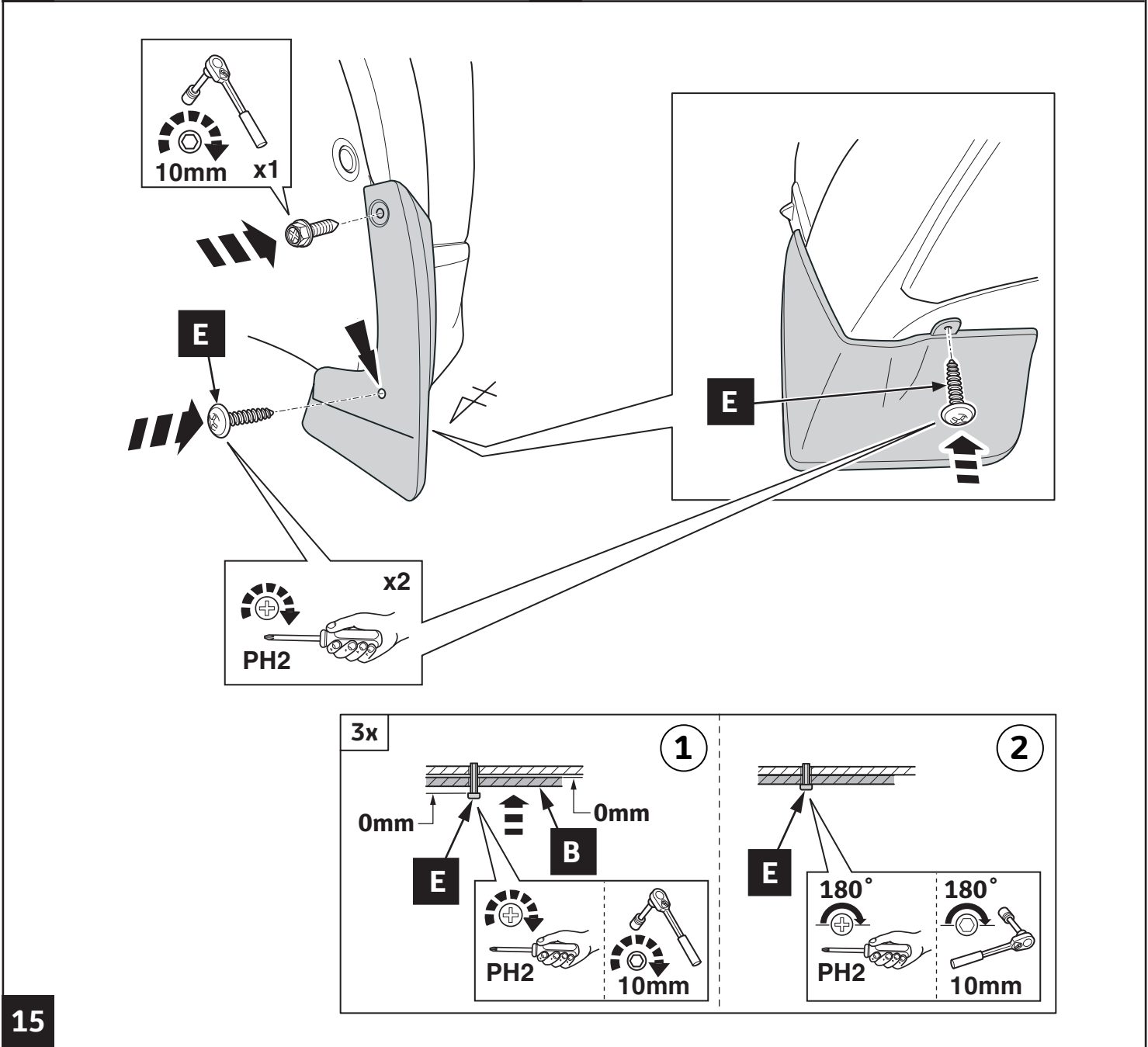
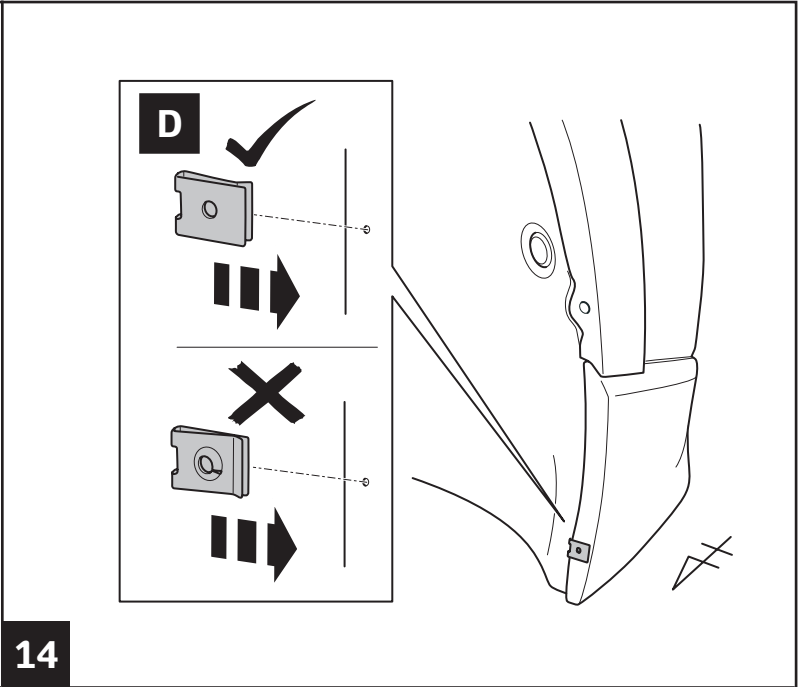
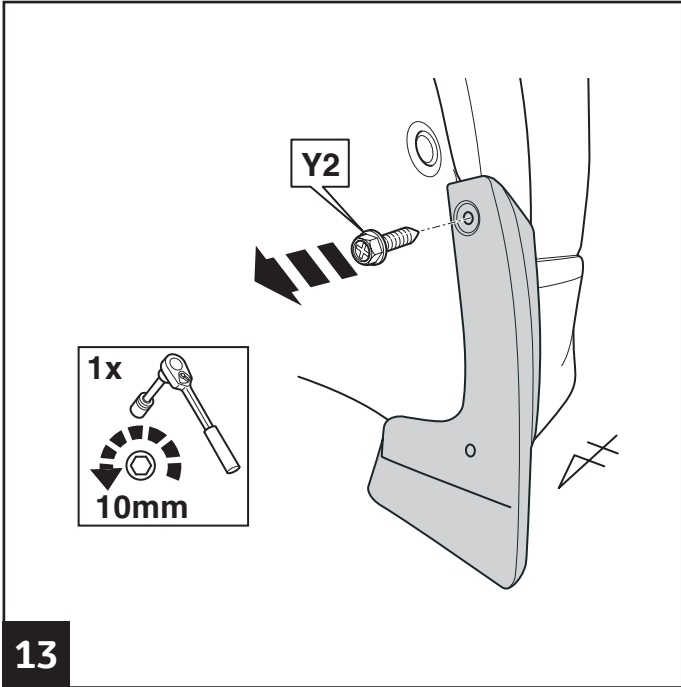
10

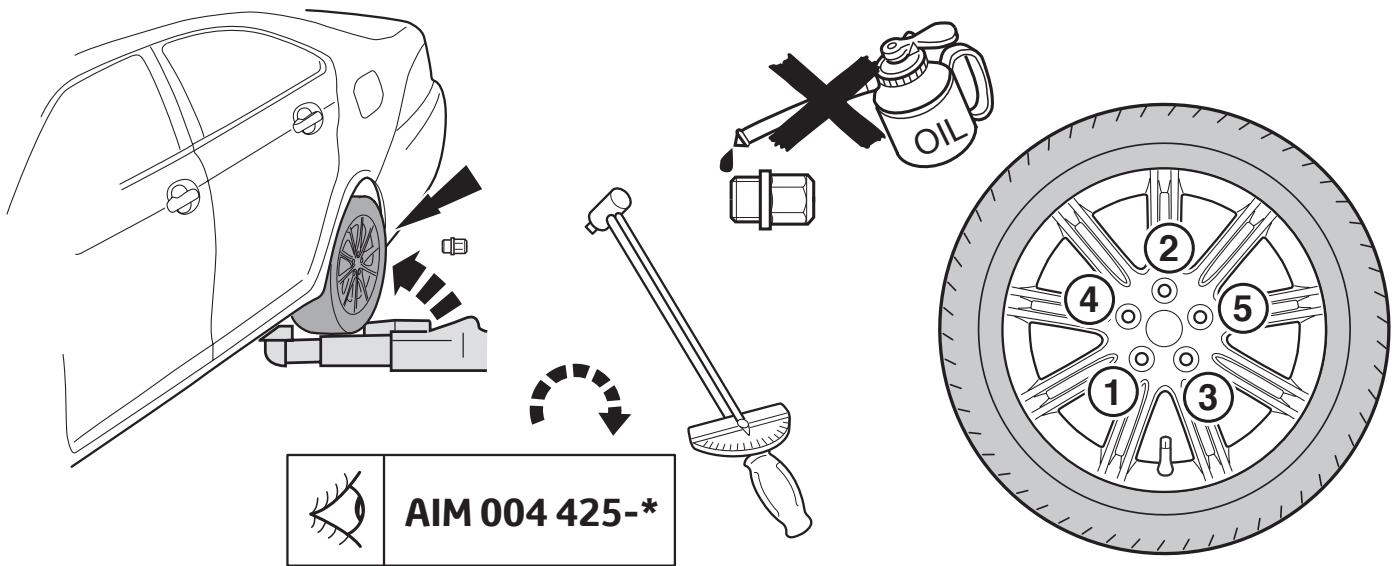
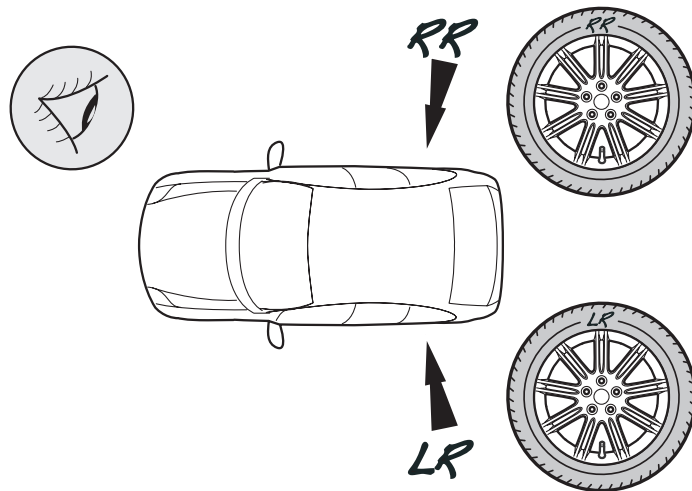
11



12









TOYOTA

ALWAYS A BETTER WAY

CHECK SHEET

Page 1 of 1

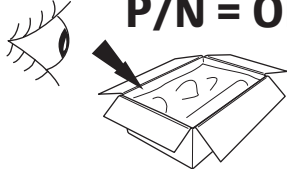
Model/Year **Toyota C-HR (1.2L & 1.8L HV) Front & rear set**
As from **2016/09** mudflaps



VIN n°

DURING INSTALLATION


1

P/N = OK

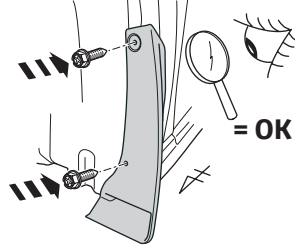


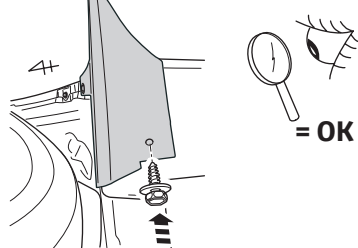
 =A
  =B

2




LH = RH

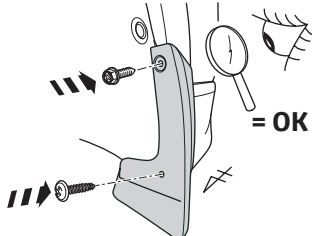
 = OK

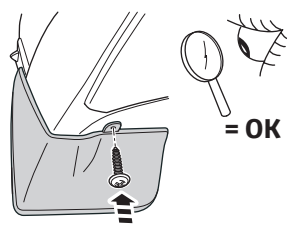
 = OK

3




LH = RH

 = OK

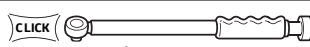
 = OK

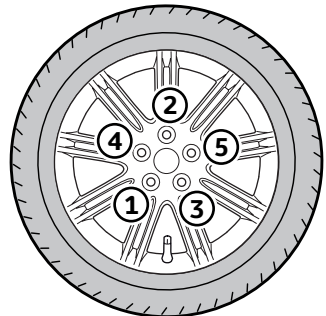
4



Serial Number

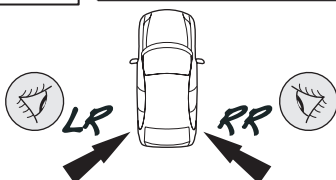
AIM 004 425-*





A

B

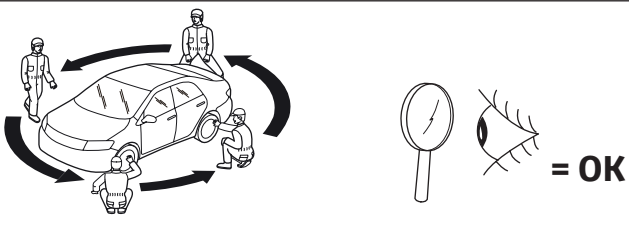


A

B

AFTER INSTALLATION

1

 = OK

Installation Date:

... / ... / ...

Technician Name & Signature:

Stamp:



TOYOTA