



**TOYOTA**

ALWAYS A  
**BETTER WAY**

# Yaris

## Leather gear gaitor

Installation Instructions

Model year: 2017/03

Vehicle code: \*\*P13\*\*-C\*\*\*\*W

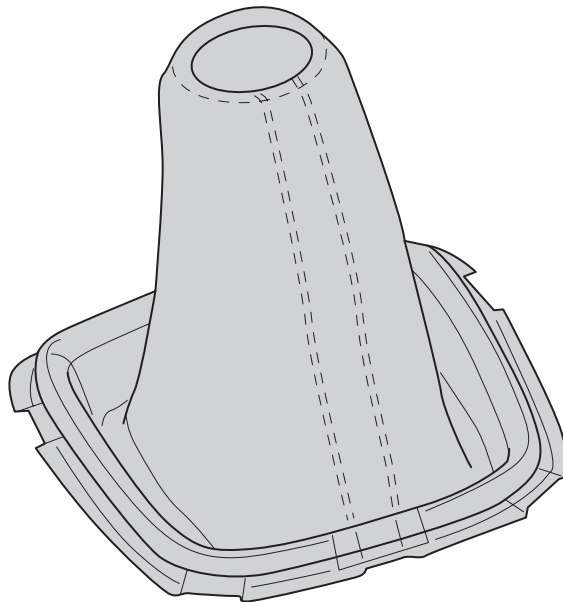
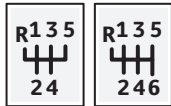
Part number: PW466- 0D100-DC - Red stitching  
PW466- 0D100-JC - Grey stitching  
PW466- 0D100-GF - Lime green stitching

Manual reference number: AIM 004 062-0

# Revision record

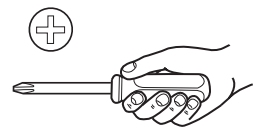
Rev. No.	Date	Page	Picture	Update	New	Deleted steps

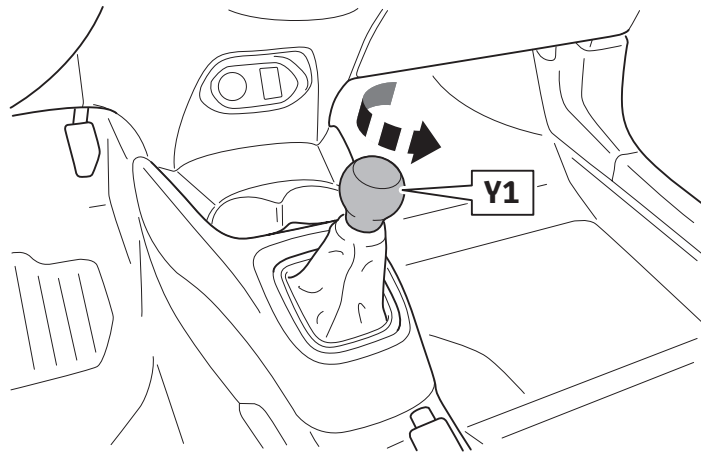
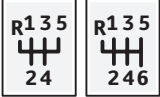
PW466-0D100-DC  
 PW466-0D100-JC  
 PW466-0D100-GF



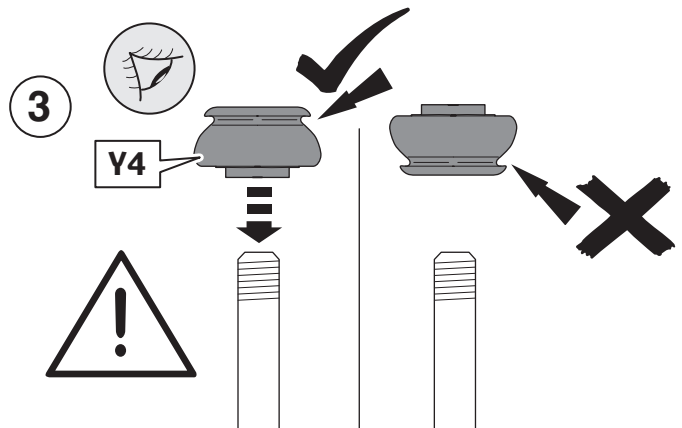
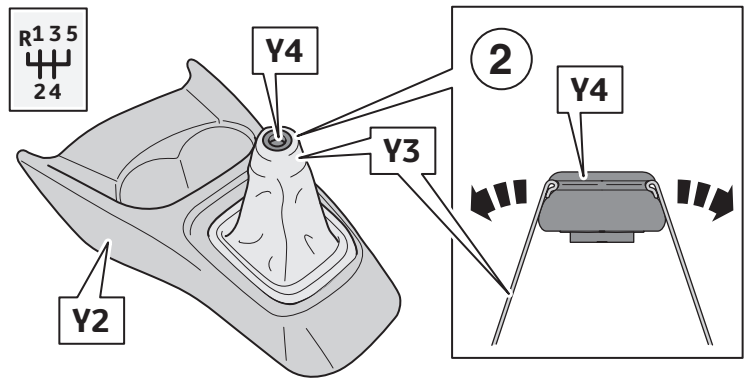
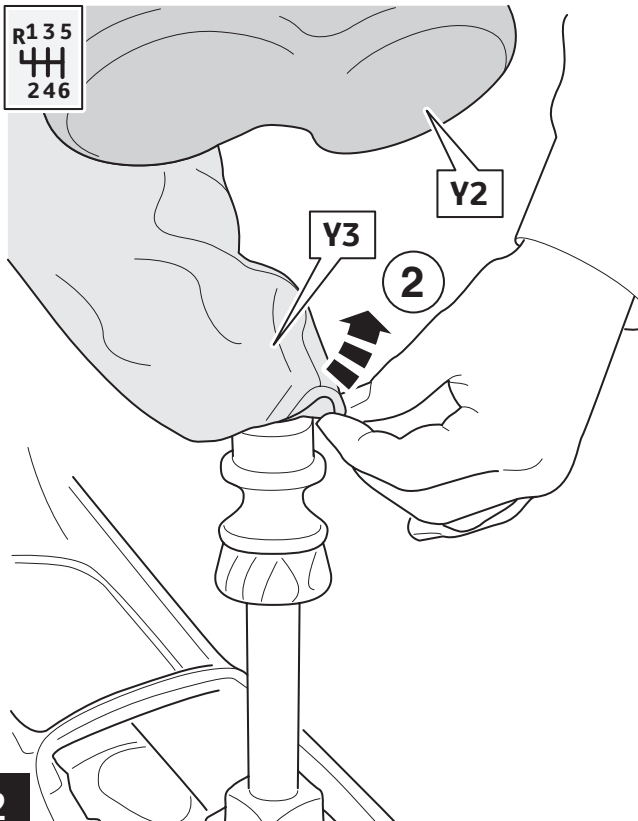
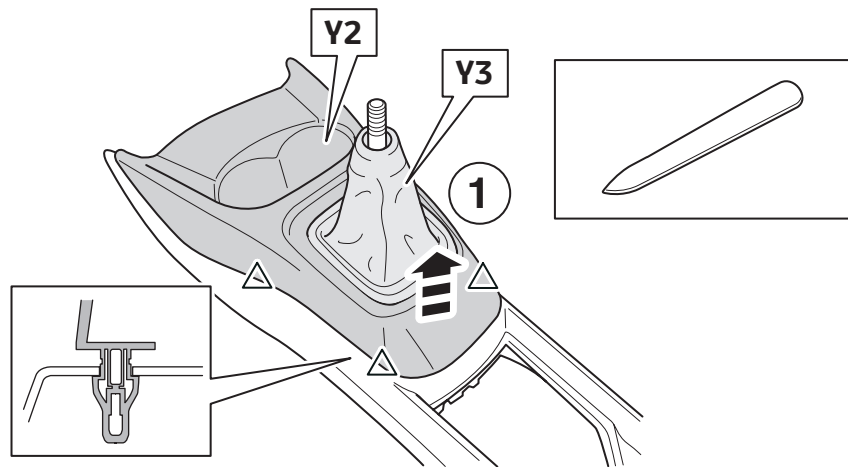
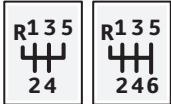
**A**

1x





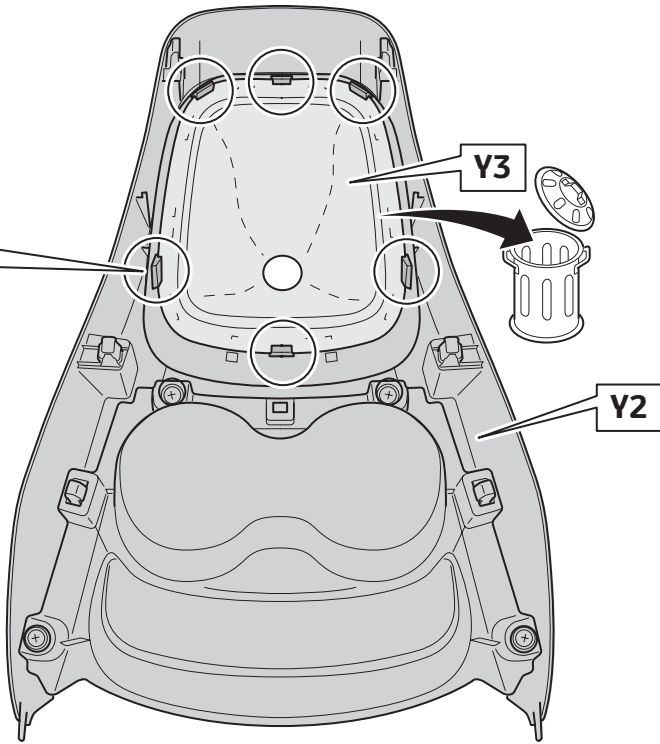
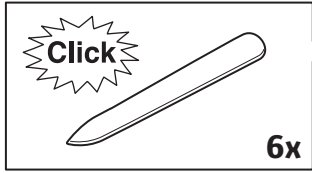
1



2

R135  
44  
24

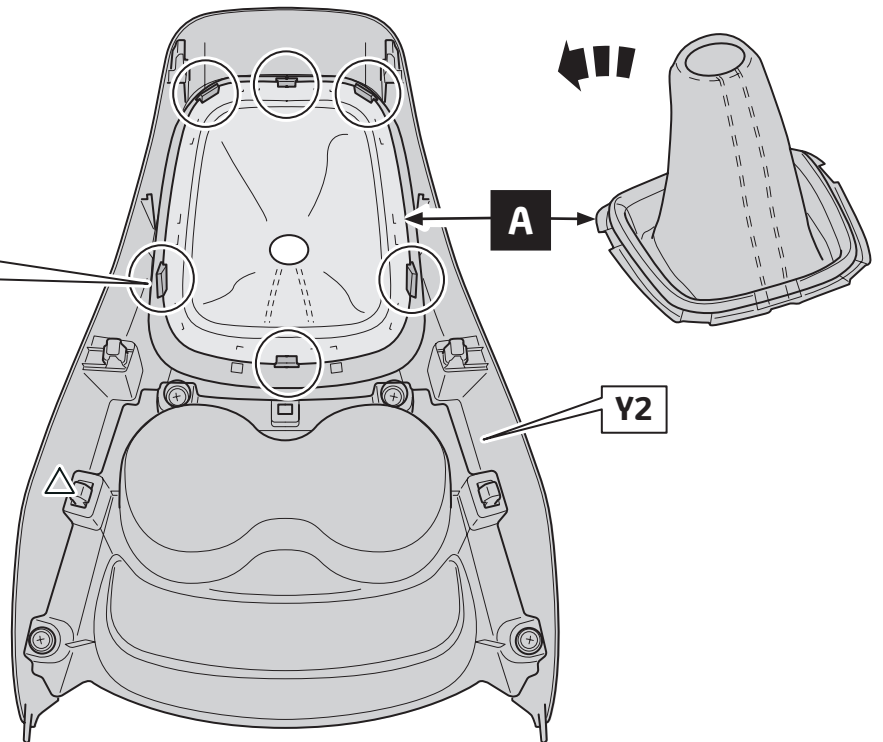
R135  
44  
246



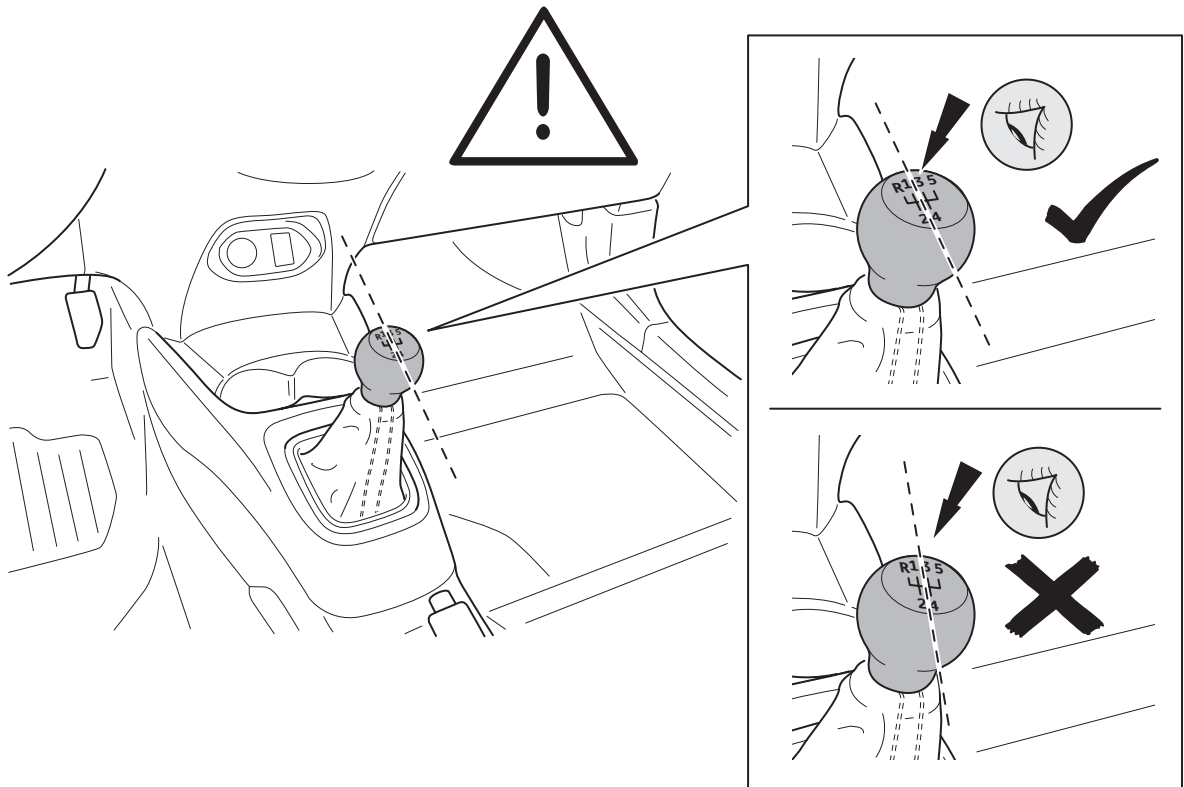
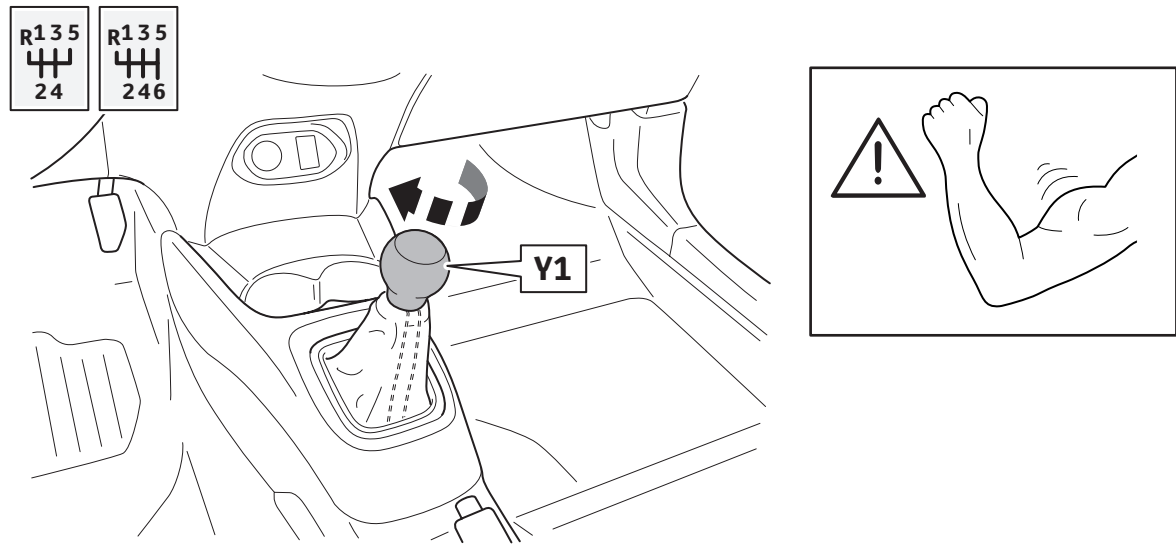
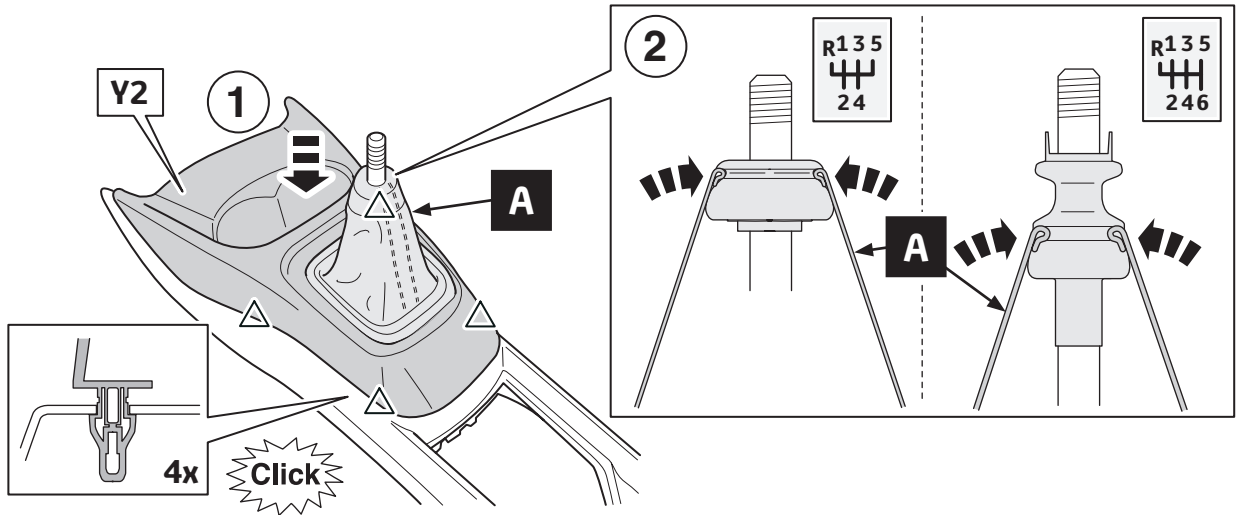
3

R135  
44  
24

R135  
44  
246



4



6



**TOYOTA**

# CHECK SHEET

**Model / Year**


**Yaris  
2017/03**

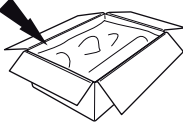
**Leather gear gaitor**

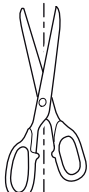
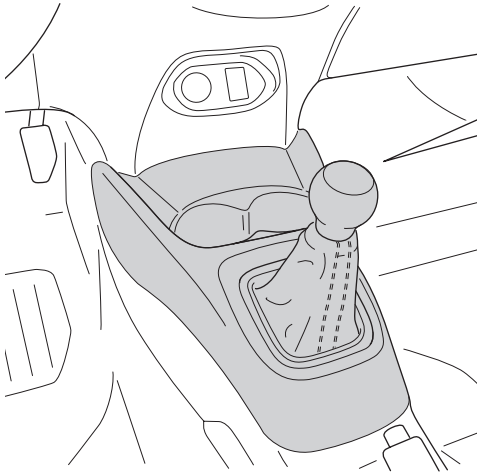
**VIN n°**

□ □ □ □ □ □ □ □ □ □ □ □ □ □ □ □ □ □

ALWAYS A  
BETTER WAY

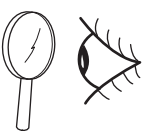
 **P/N = OK**

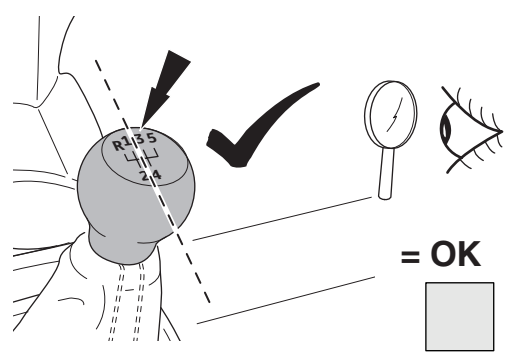


**R135**  
┌┌┌  
24

**R135**  
┌┌┌  
246

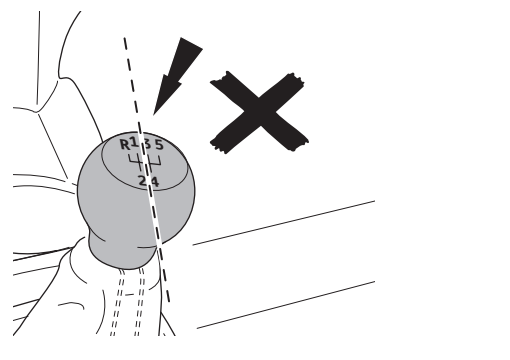
 = OK



**R135**  
┌┌┌  
24

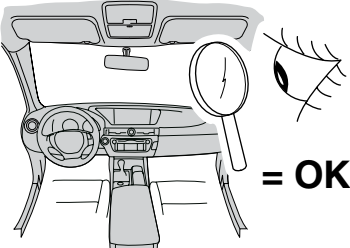
**= OK**

---

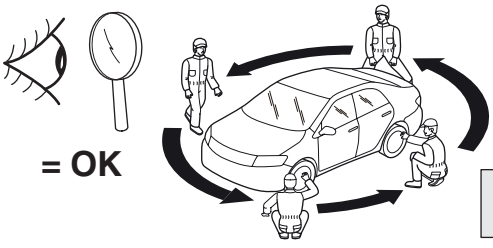


**R135**  
┌┌┌  
24

**= OK**



**= OK**



**= OK**

**Installation Date:**

... / ... / ...

**Technician Name & Signature:**

**Stamp:**

