

PROACE (L2) PROACE Verso (L2) PROACE Electric (L2) PROACE Verso Electric (L2)

Rear set mudflaps

Installation instructions



ALWAYS A
BETTER WAY

Model year: as from 2016/02 (PROACE)
as from 2016/03 (PROACE Verso)
as from 2020/10 (PROACE Electric)
as from 2021/01 (PROACE Verso Electric)

Vehicle code: M***6**-L****W

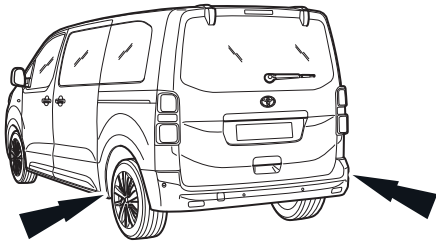
Part number: PZ4L1-H3960-00 (Rear set Mudflaps)

Manual reference number: AIM 005 022 - 0

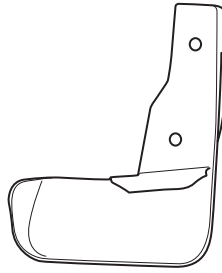
Revision Record

Rev. No.	Date	Page	Step	Remarks

PZ4L1-H3960-00

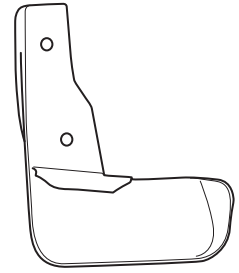


A1



1x

A2



1x

B

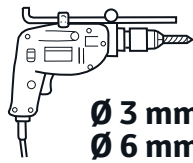


6x

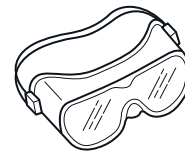
C



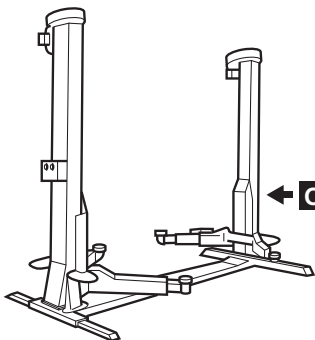
4x



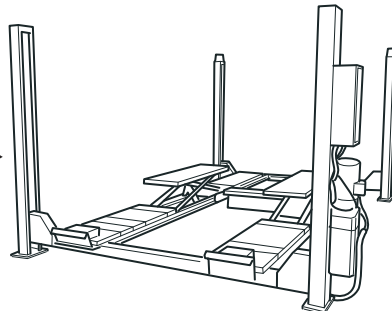
Ø 3 mm
Ø 6 mm



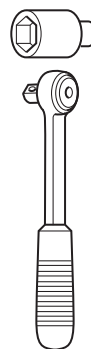
PH2



← Or →



10 mm
17 mm



Ø10mm



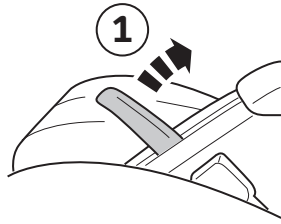
AIM 003 516-*



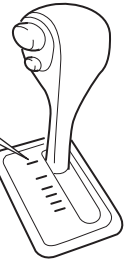
Material Safety Data Sheet



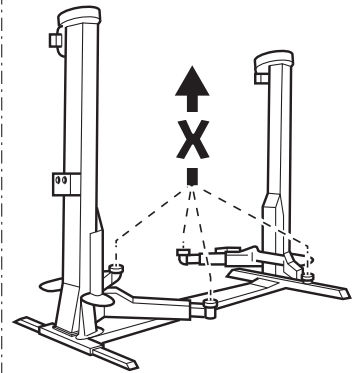
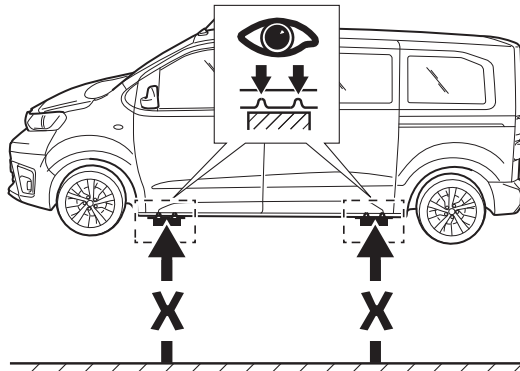
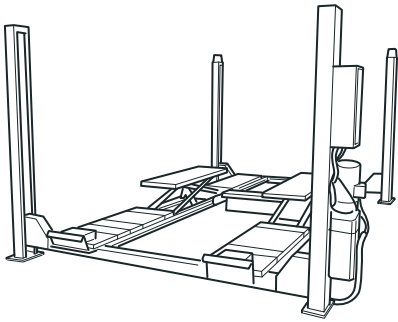
Technical Data Sheet



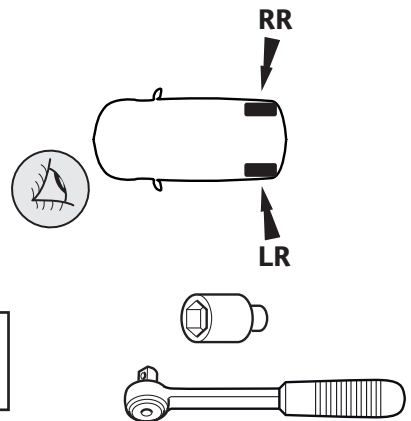
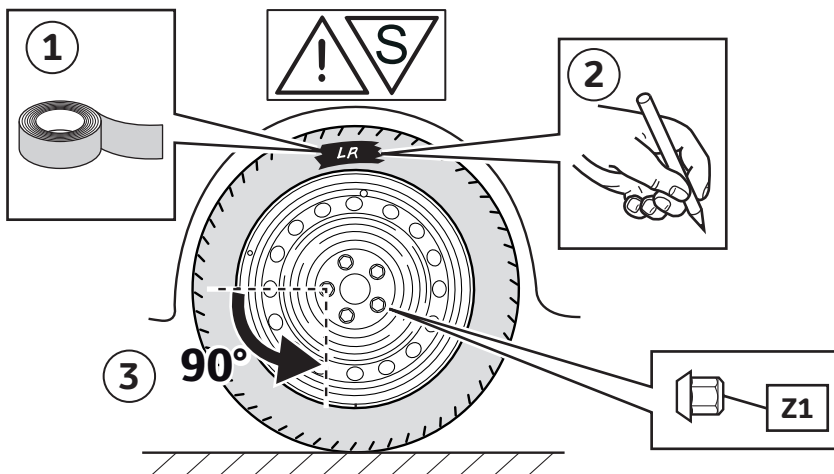
Parking



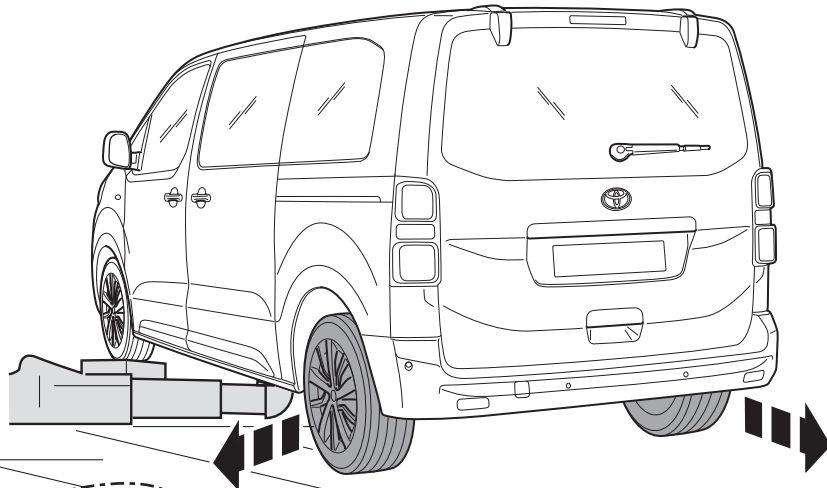
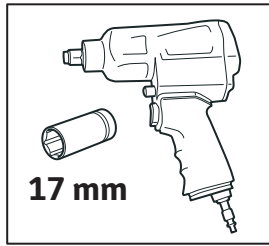
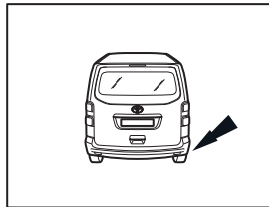
1



2

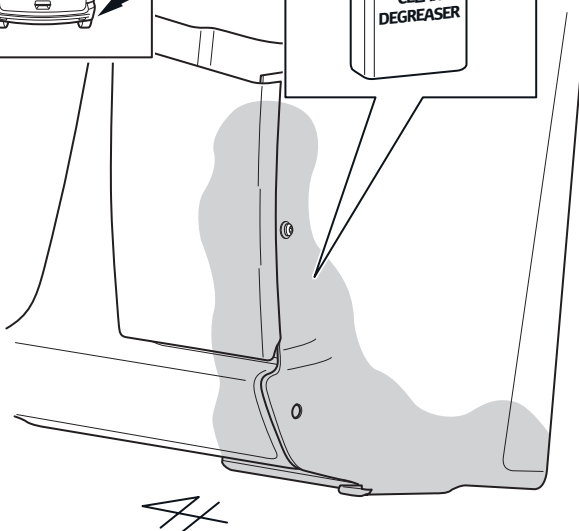
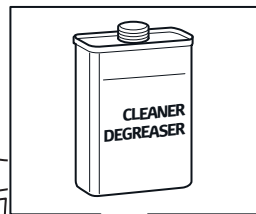
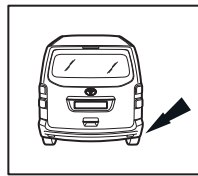


3

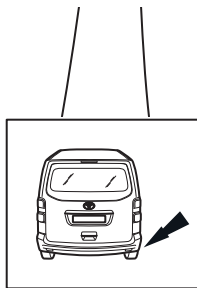


(5x)  Z1

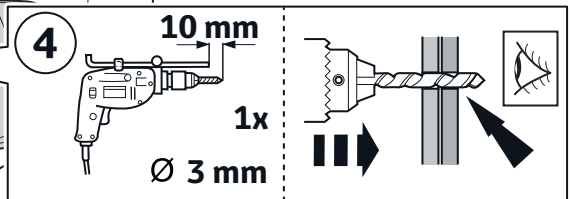
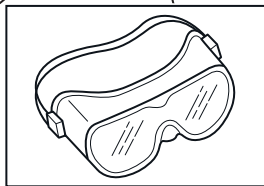
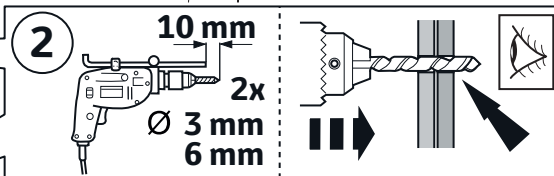
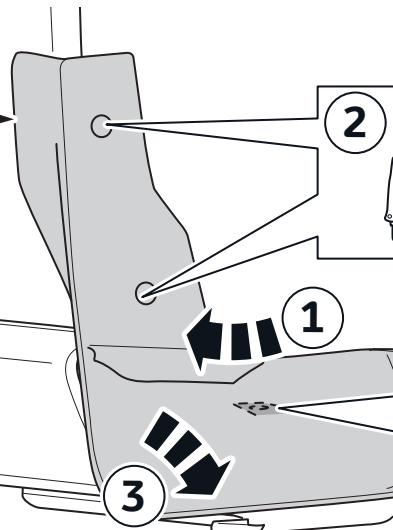
4



5

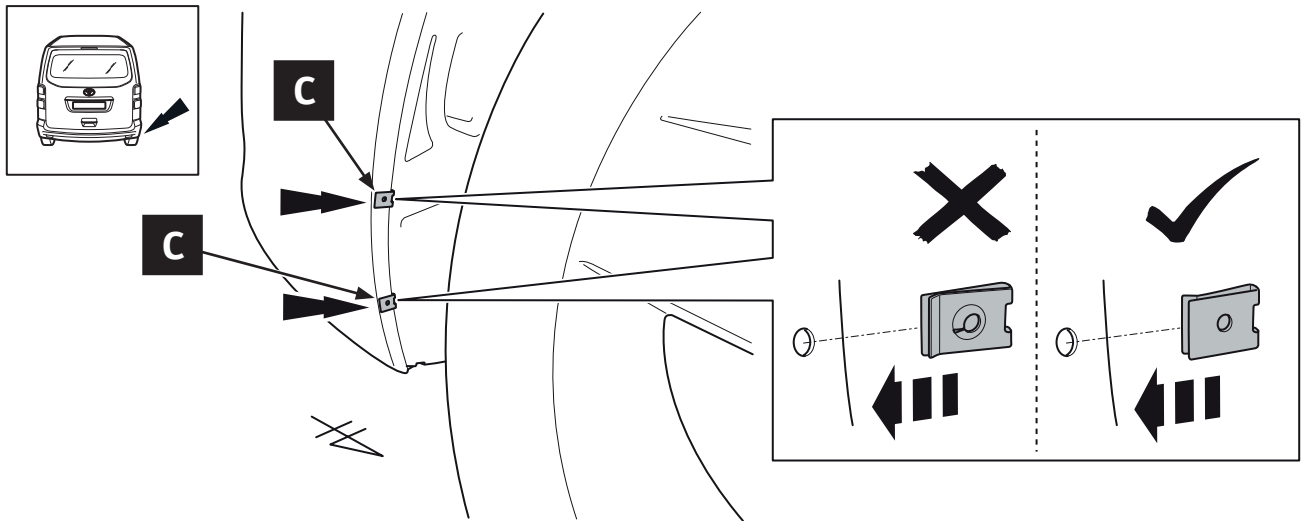


A2

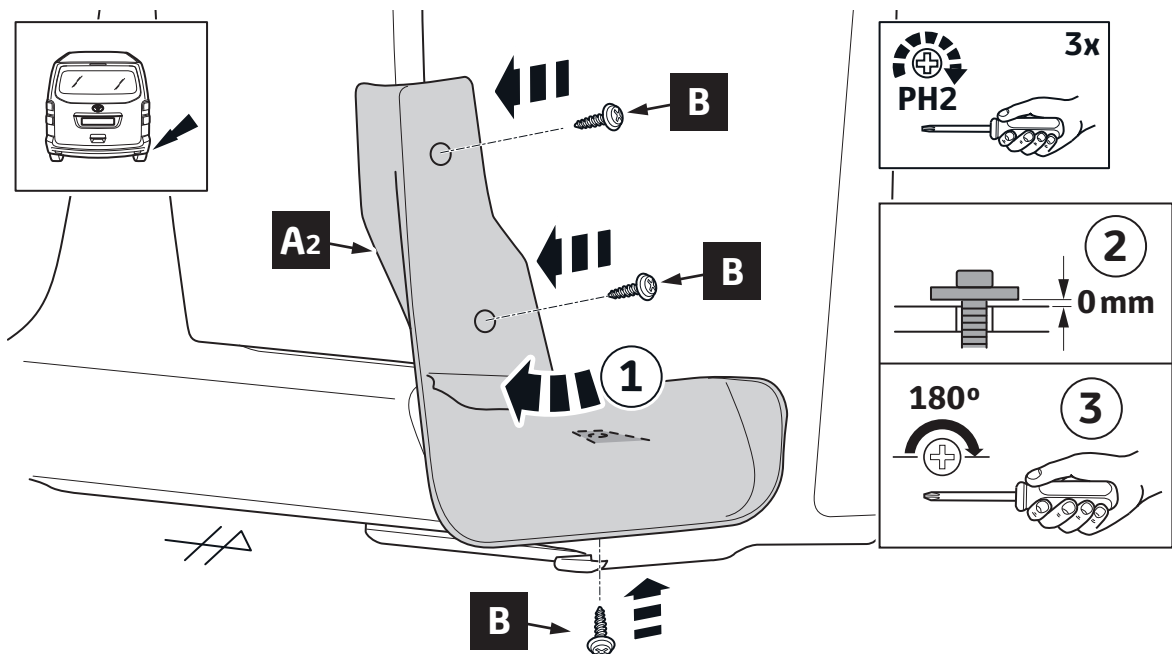


6

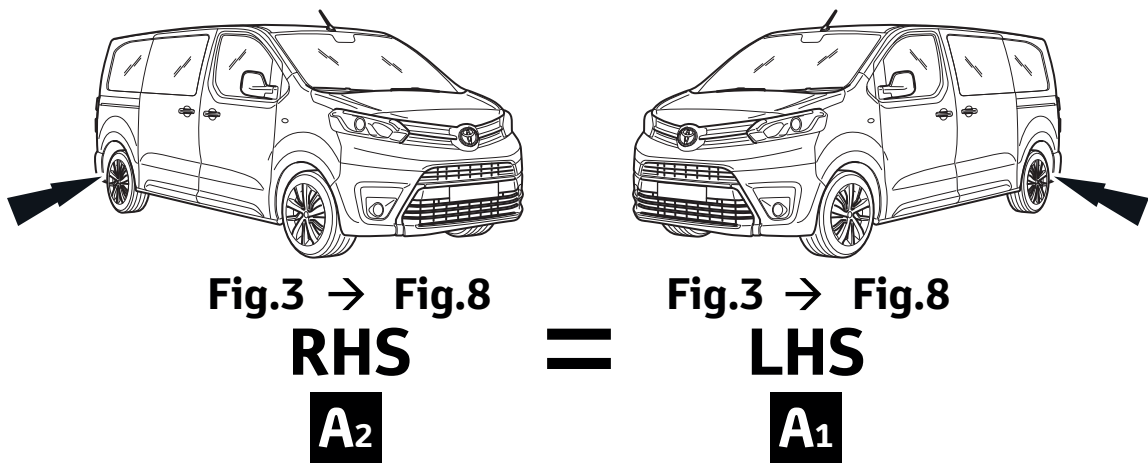
7

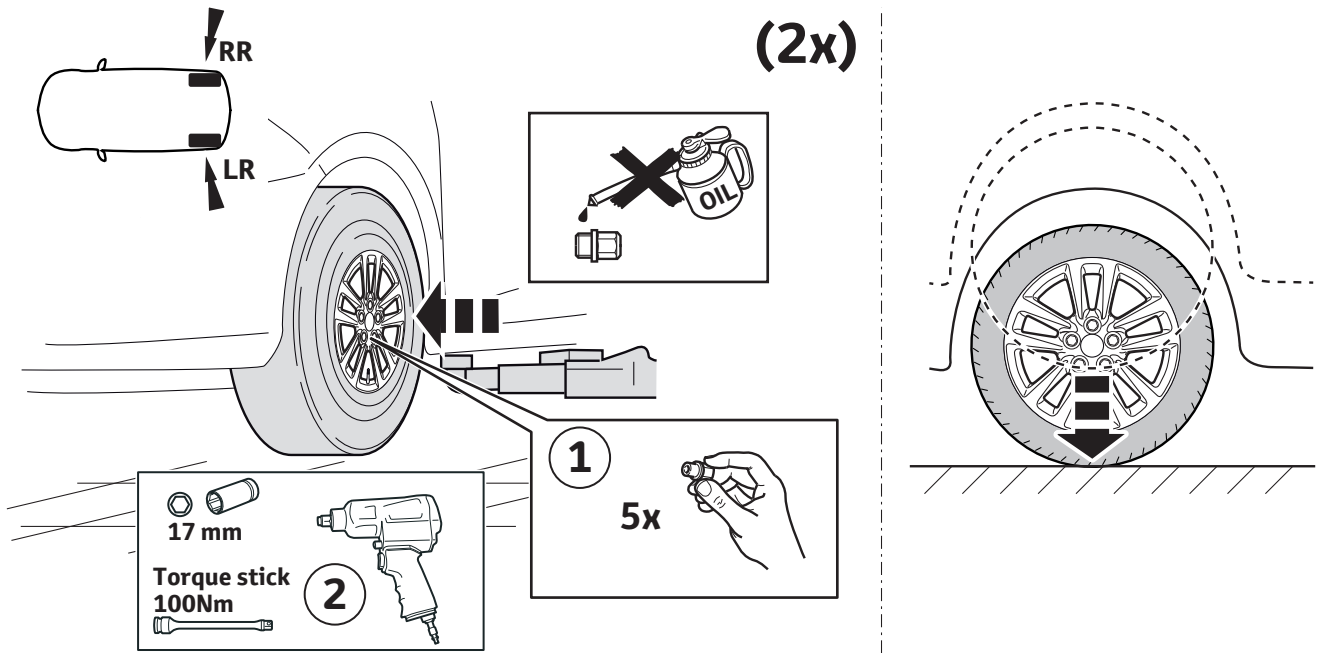


8

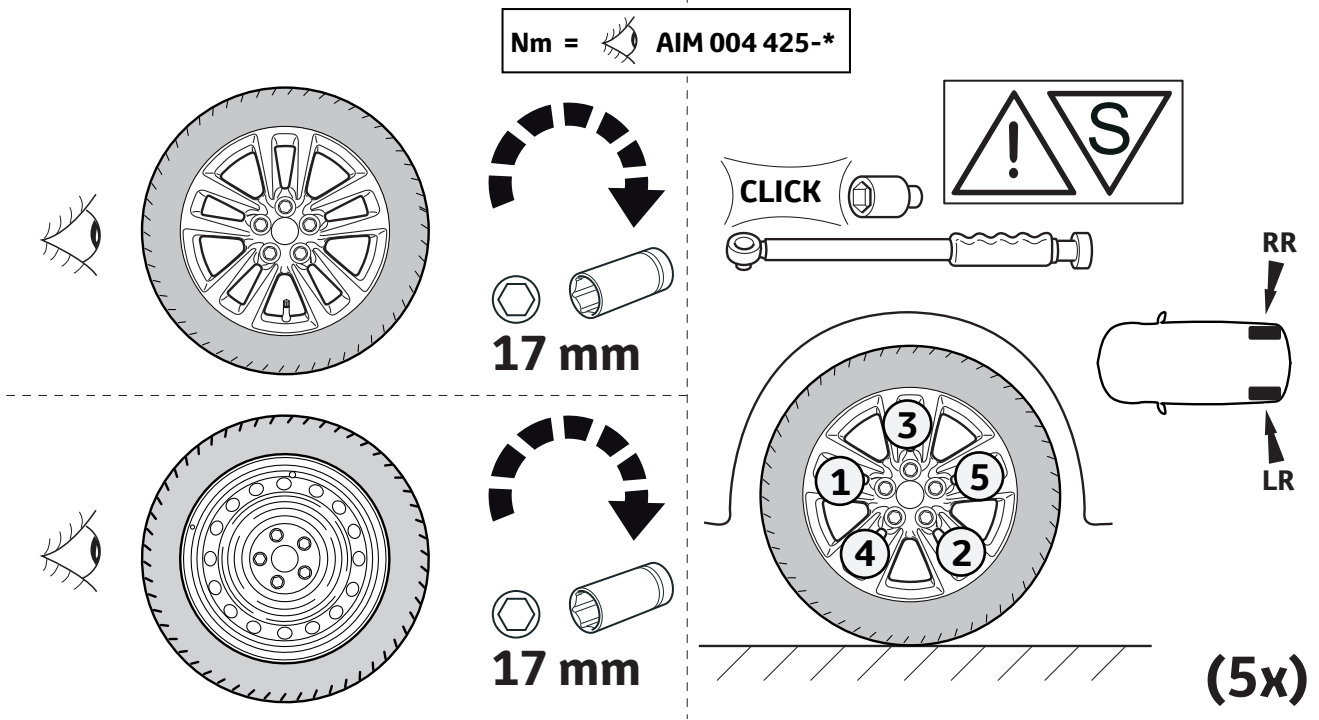


9





10



11

CHECK SHEET Page 1 of 2



TOYOTA

ALWAYS A BETTER WAY

Model / Year

PROACE as from 2016/02
 PROACE Verso as from 2016/03
 PROACE Electric as from 2020/10
 PROACE Verso Electric as from 2021/01

**Rear set
 Mudflaps**

VIN n°

DURING INSTALLATION

1

P/N = OK

=A =B

AFTER INSTALLATION

1

LHS RHS


2

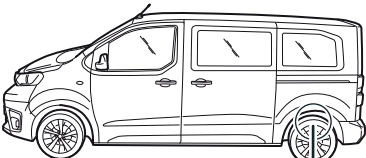
Nm = AIM 004 425-*

Serial Number

Serial Number

A B A B

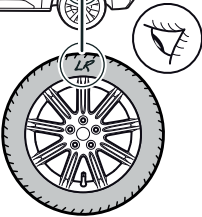





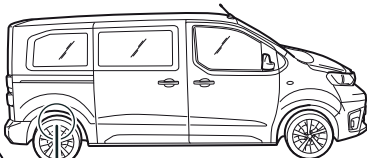
LR = LR = OK

A B

3



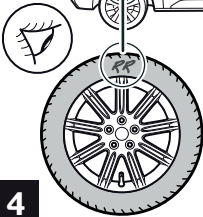




RR = RR = OK

A B

4



Installation Date:
.. / .. / ..

Technician Name & Signature:

Stamp:

