



TOYOTA

ALWAYS A
BETTER WAY

Yaris

Scuff Plates - Front Set

Installation instructions

Model year: as from 2020/06

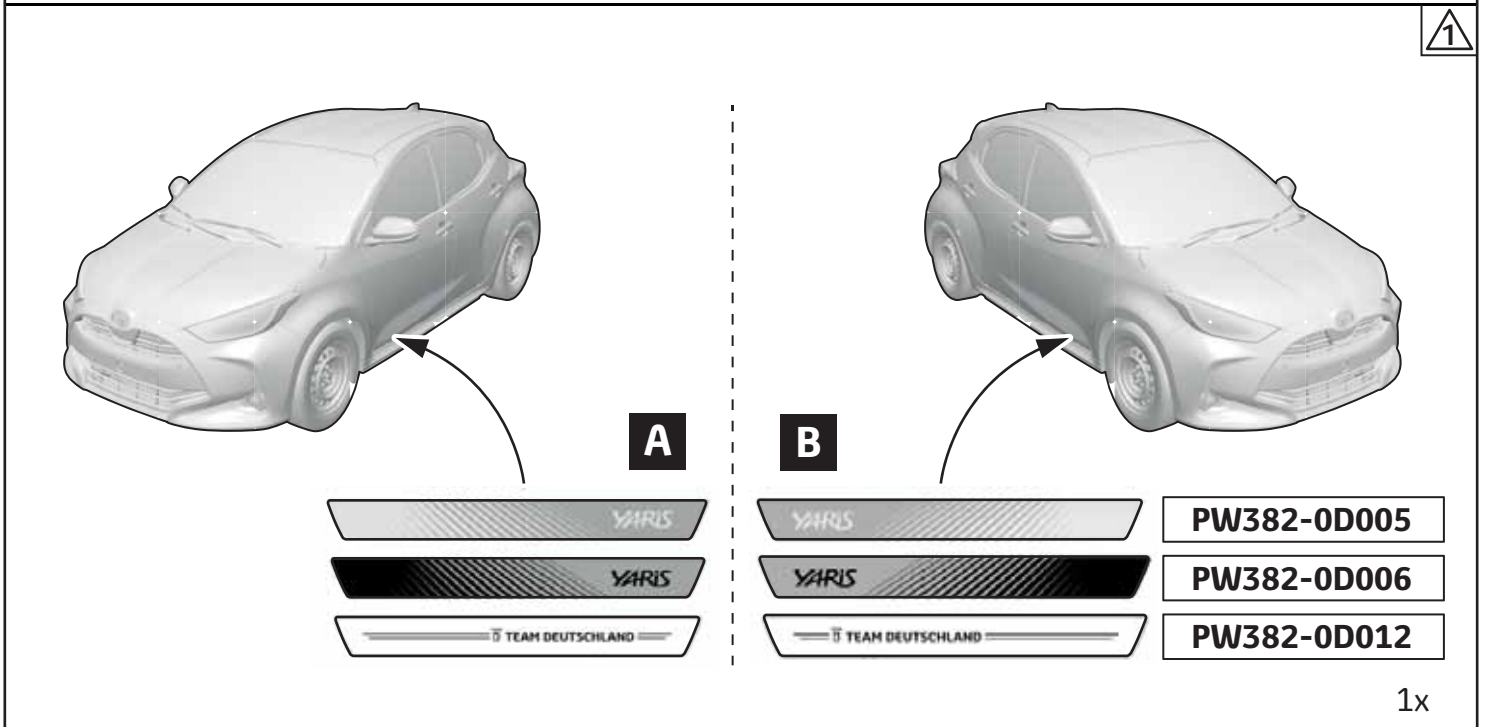
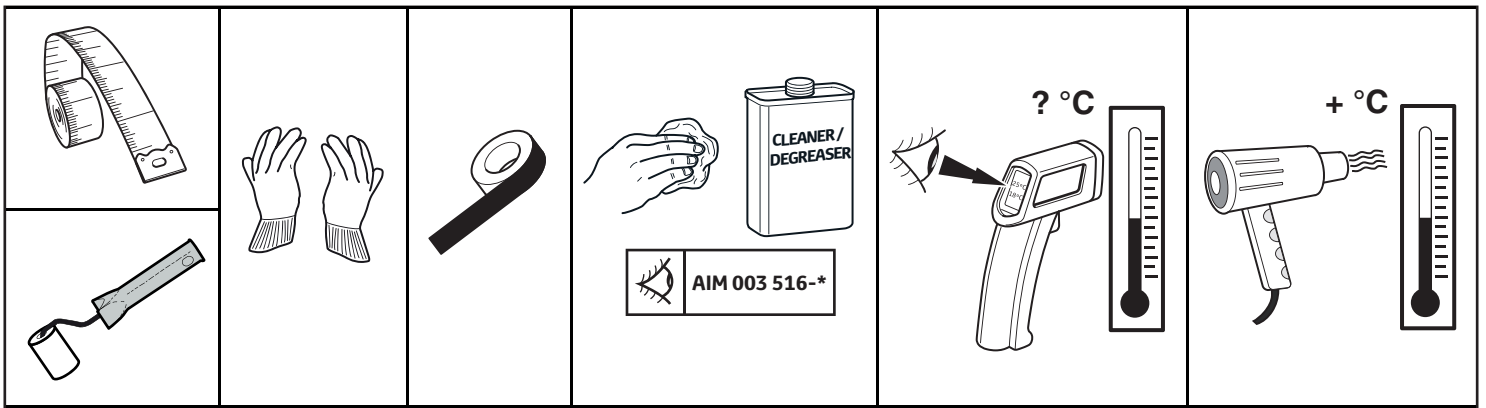
Vehicle code: MXP*11*-*H***W
KSP211*-*H***W

Part number: PW382-0D005 (Silver Grey)
PW382-0D006 (Black)
PW382-0D012 (Team D)

Manual reference number: AIM 004 588 - 1

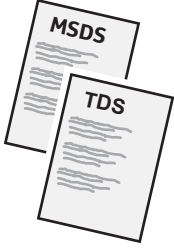
Revision Record

Rev. No.	Date	Page	Step	Remarks
1	07.12.20	1, 9	C/S	Name, vehicle code & part number updated
1	07.12.20	2		Kit content updated

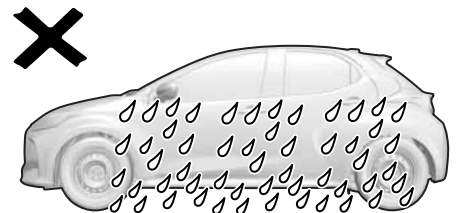
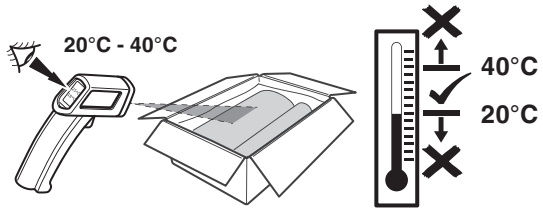
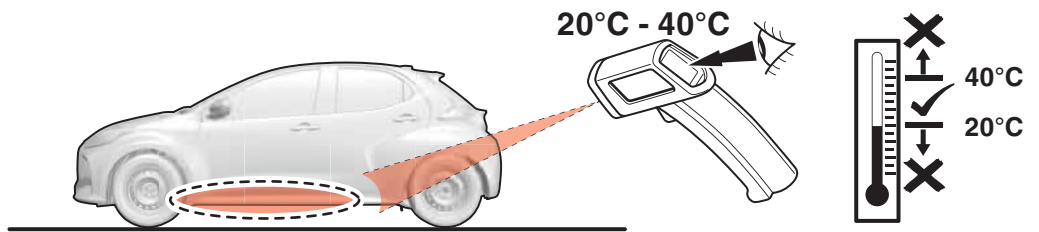


INFO

Material Safety Data Sheet



Technical Data Sheet



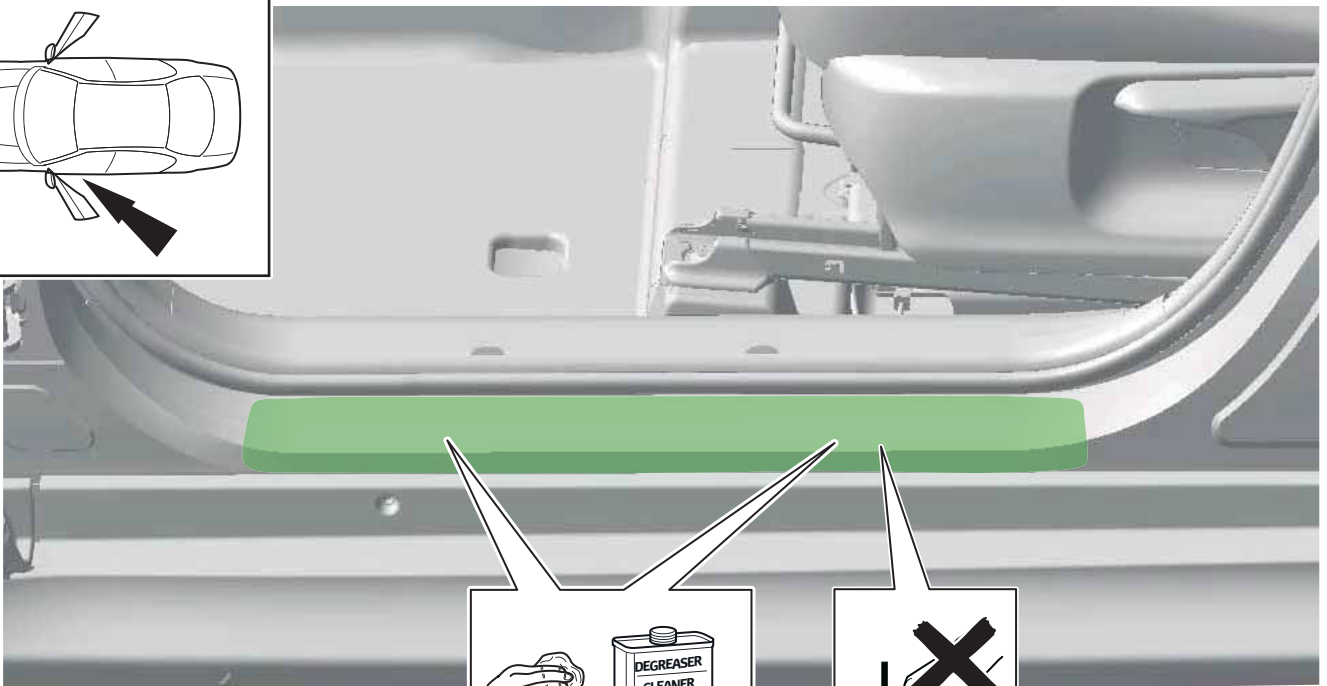
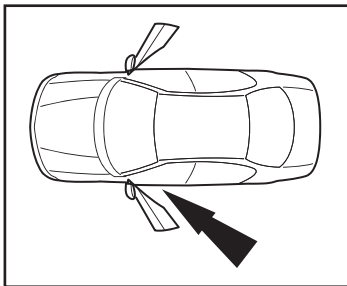
INFO



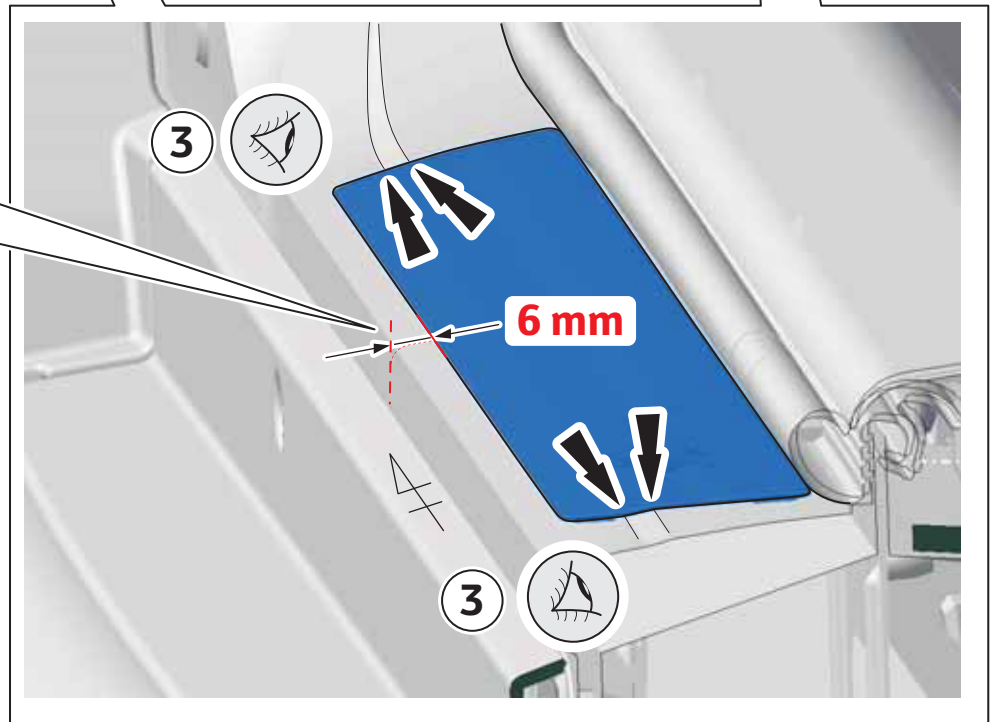
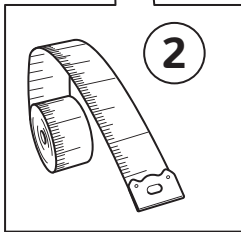
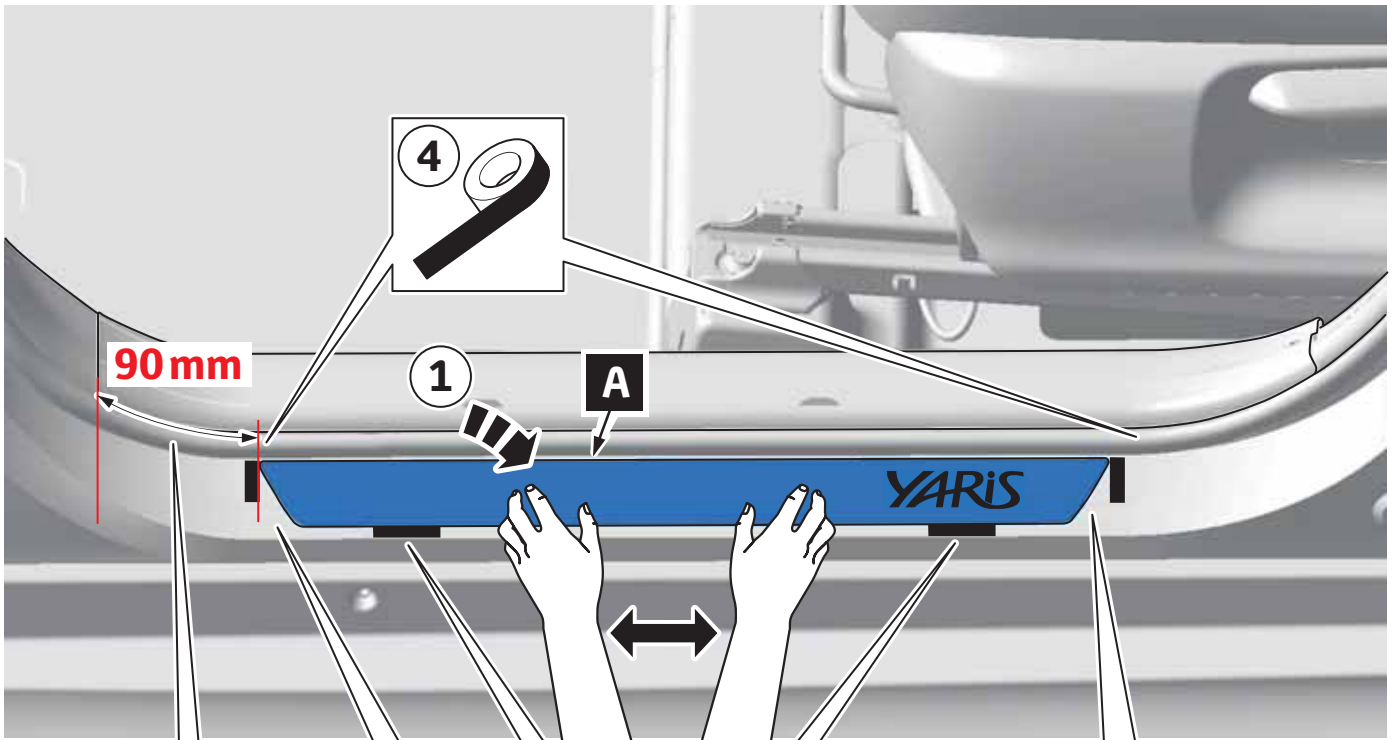
A
Front LH

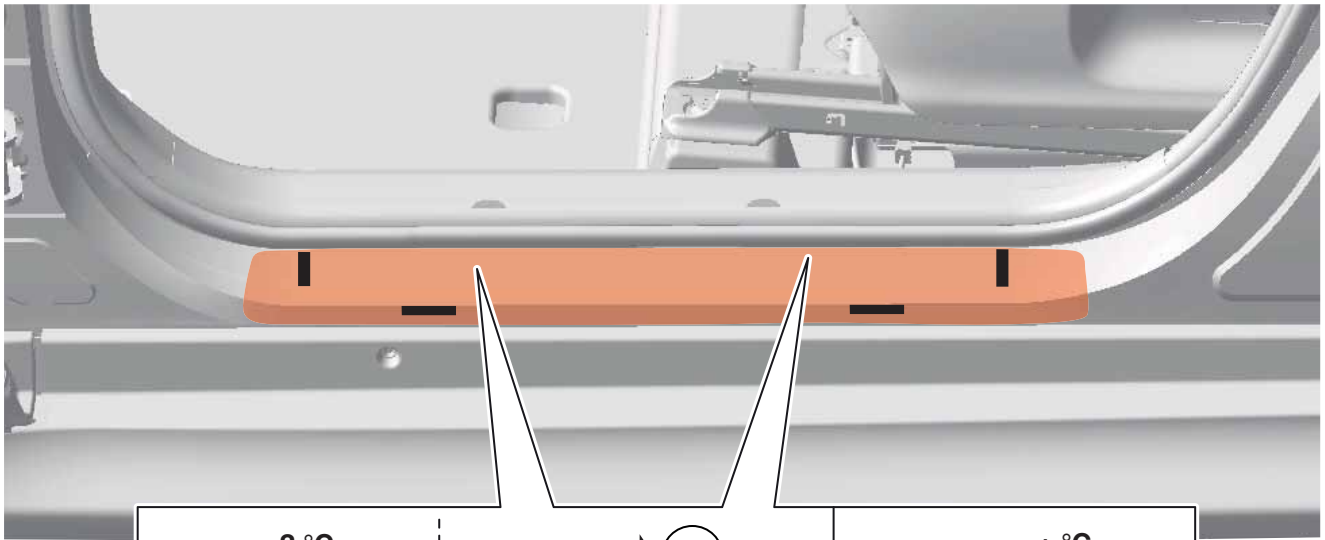


B
Front RH



1





4

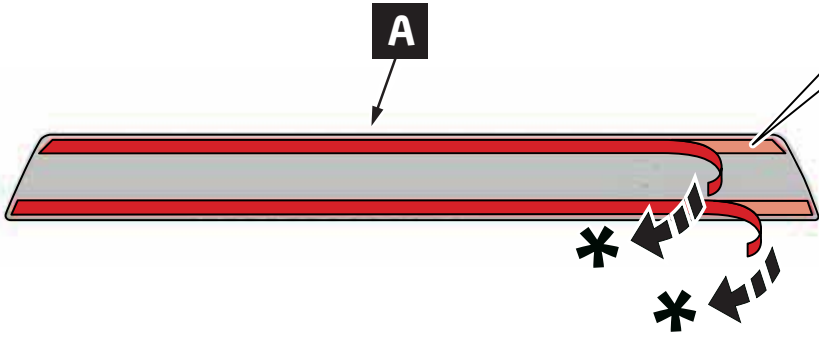
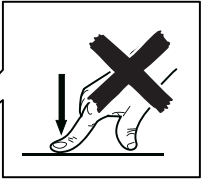
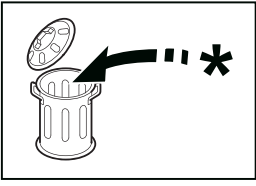
<p>1</p>	<p>< 20°C → 2</p> <p>20°C - 40°C → 4</p>	<p>2</p>
<p>3</p>	<p>20°C - 40°C → 4</p>	<p>INFO</p> <p>3 → 7</p>

3

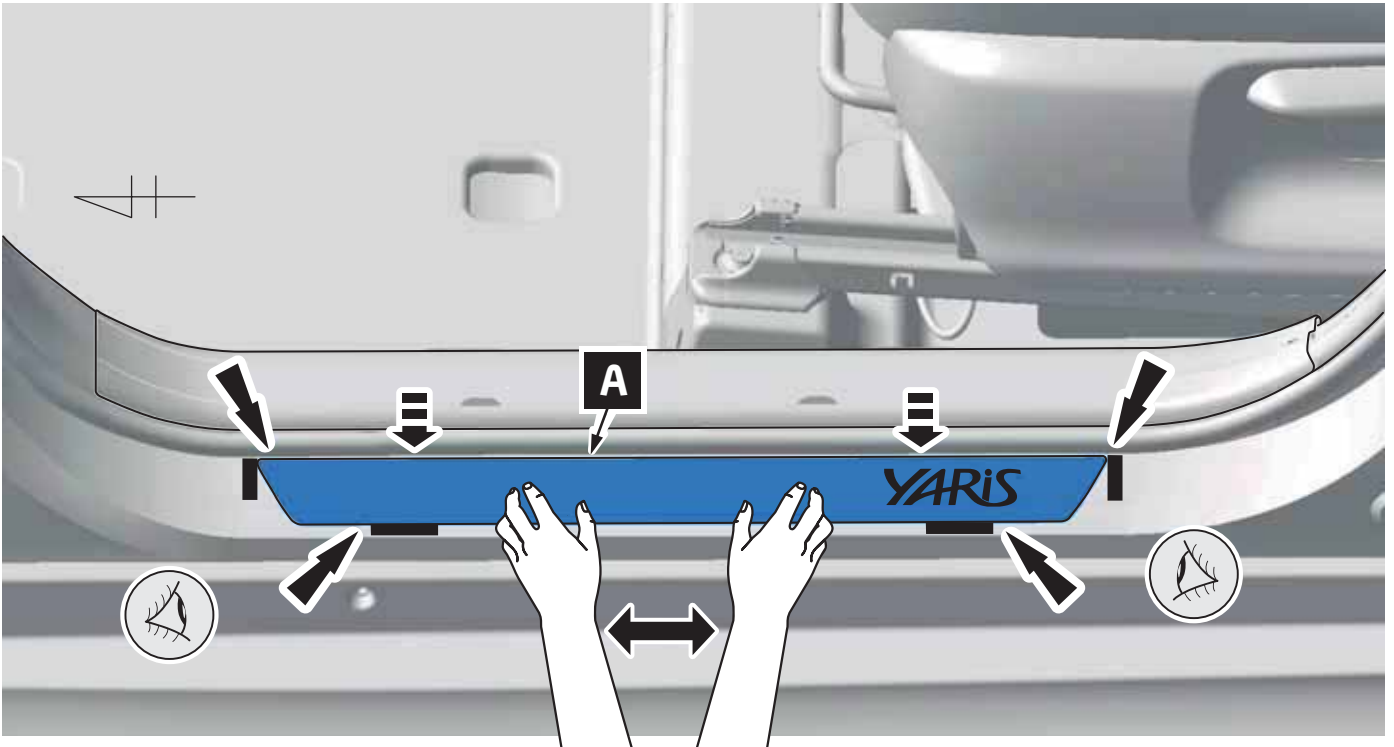


<p>1</p>	<p>< 20°C → 2</p> <p>20°C - 40°C → 5</p>	<p>2</p>
<p>3</p>	<p>20°C - 40°C → 5</p>	<p>INFO</p> <p>4 → 7</p>

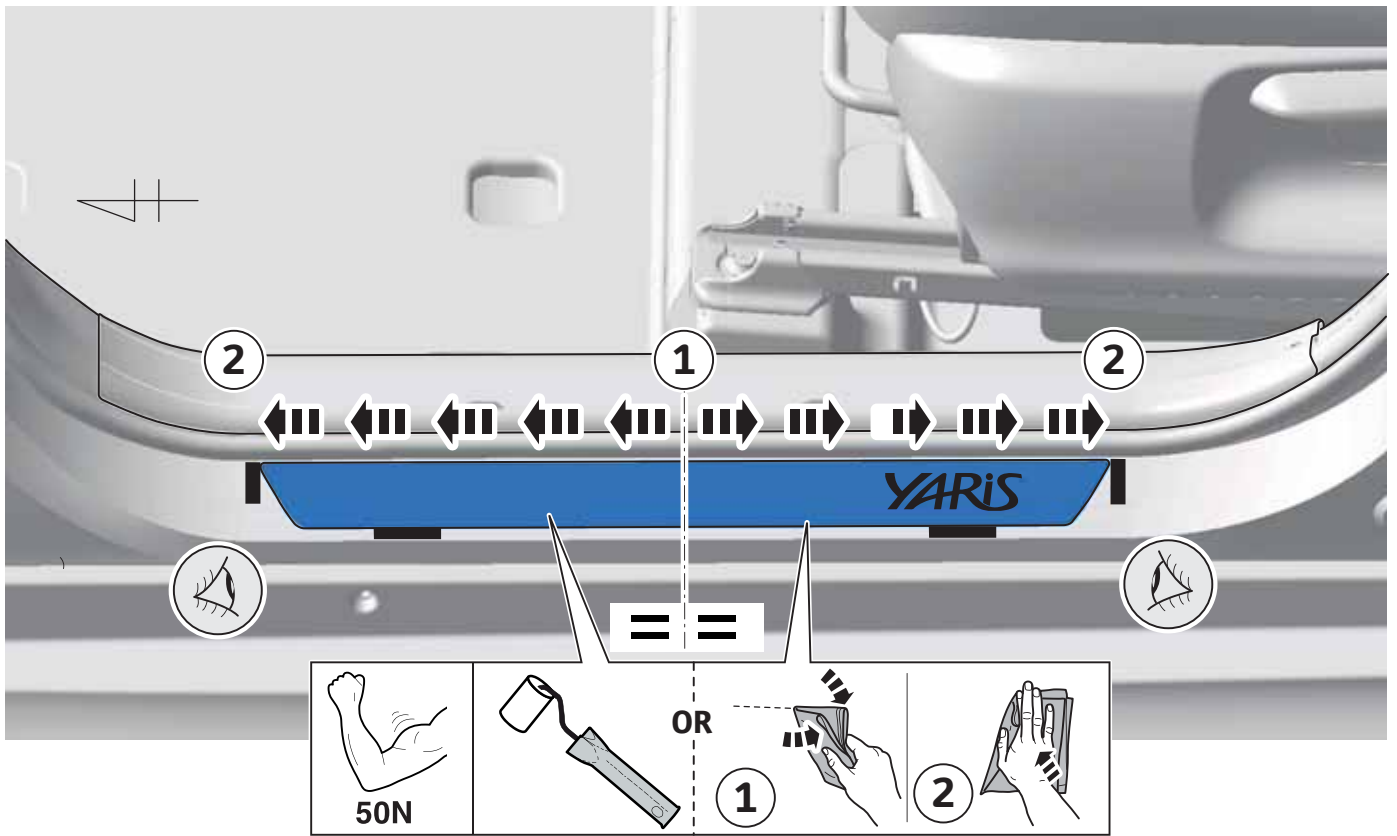
4



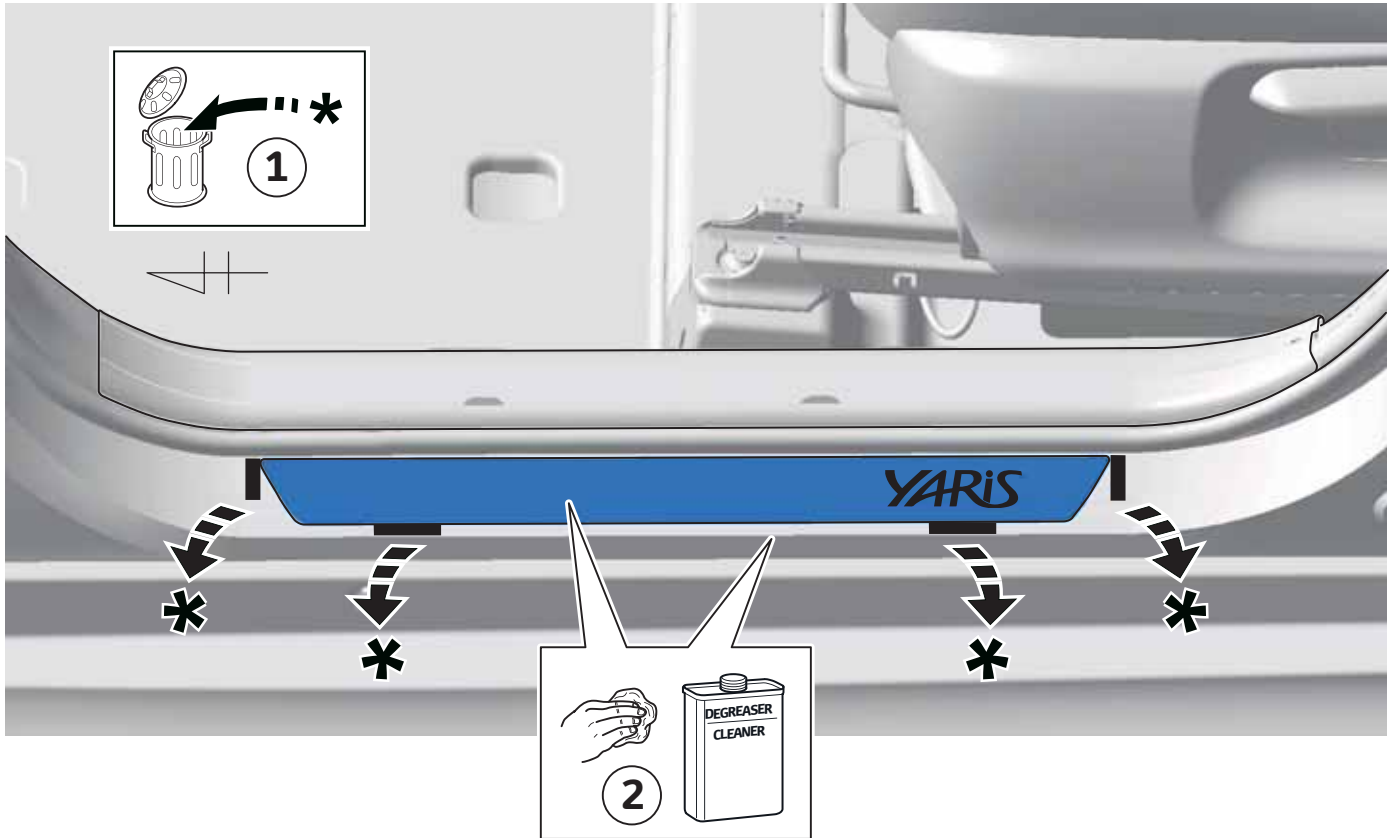
5



6

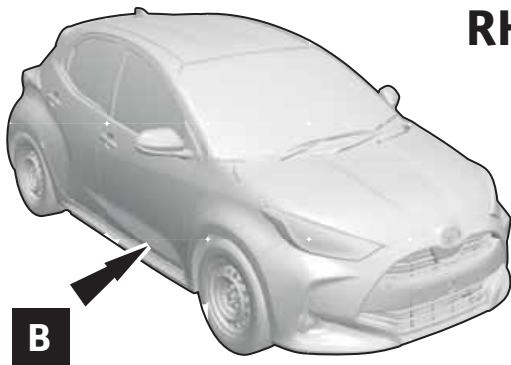


7



8

RHS = LHS





TOYOTA


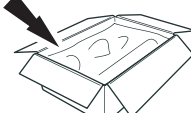
Model / Year **Yaris as from 2020/06**

Scuff Plates



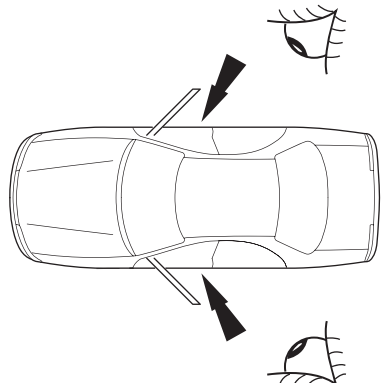
VIN n°

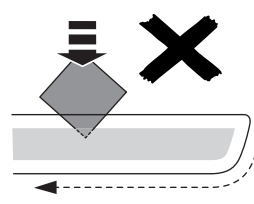
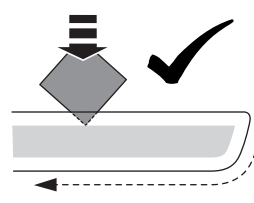
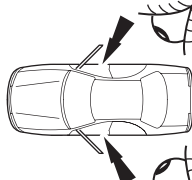
ALWAYS A BETTER WAY


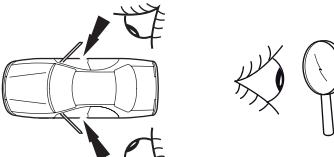
DURING INSTALLATION

1  **P/N = OK** 

AFTER INSTALLATION

1    **2x**

2    **RHS** **LHS**

3   **RHS** **LHS** **= OK**

Installation Date:
... / ... /

Technician Name & Signature:

Stamp:

