



TOYOTA

ALWAYS A
BETTER WAY

Land Cruiser

Rear bumper protection plate - stainless steel

Installation Instructions

Model year: 2017/09
Vehicle code: **J150*-G**E*W
Part number: PW178-60000

Manual reference number: AIM 004 099-2

Revision record

Rev. No.	Date	Page	Picture	Update	New	Deleted steps
1	17.10.2018	2	Kit, Tools	X	Adhesion promoter, Pencil	Adhesion promoter
		3-9	3-6, 8-16	X	3, 15	
Rev. No.	Date	Page	Step	Remarks		
2	13.02.2019	5	8	Tape change		

PW178-60000

A 1x **B** 1x

			 AIM 003 516-*	

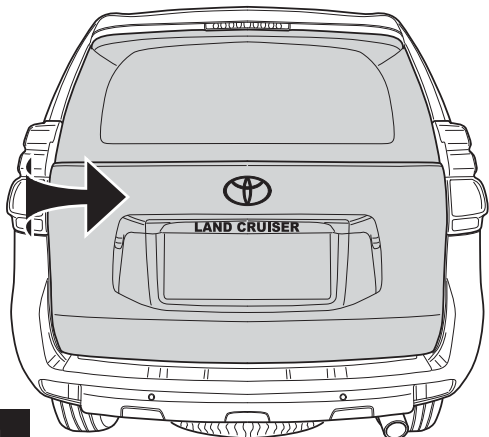
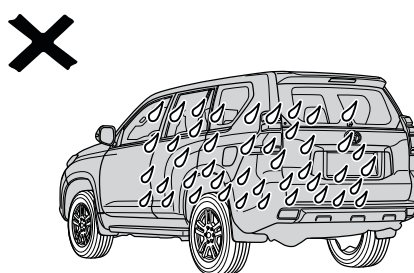
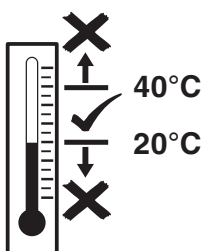
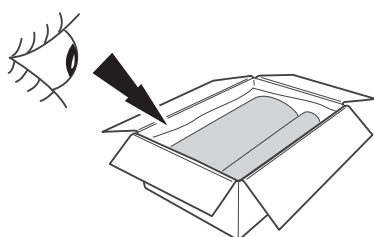
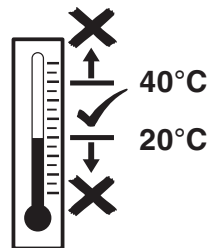
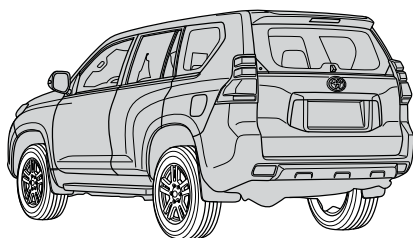
INFO



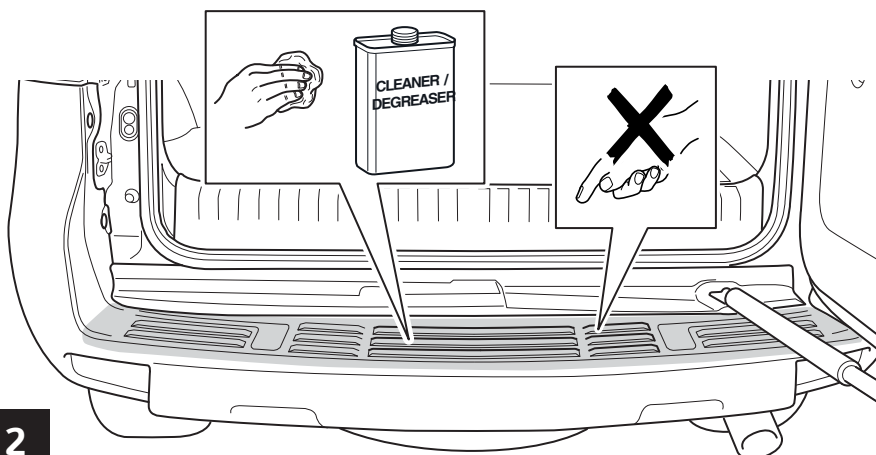
Material Safety Data Sheet



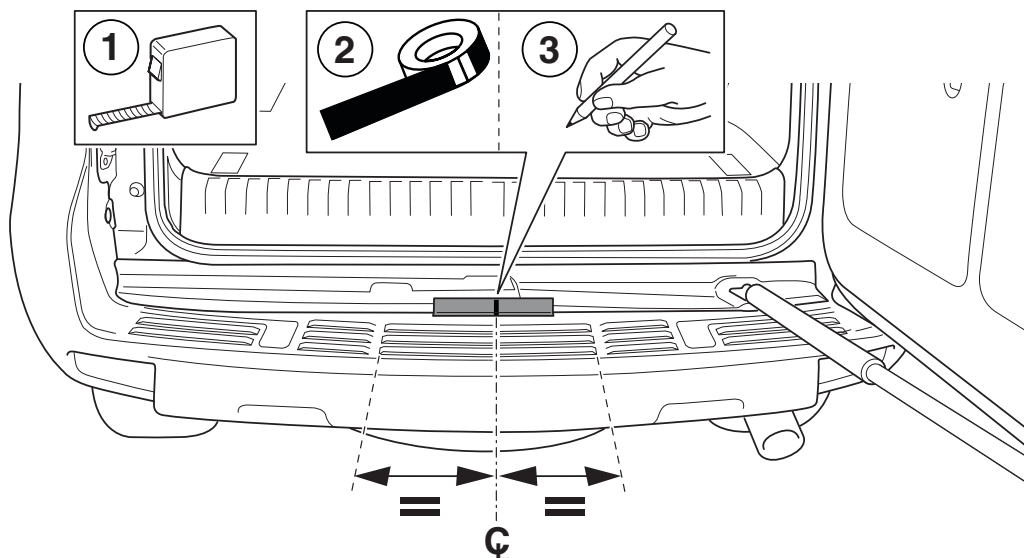
Technical Data Sheet



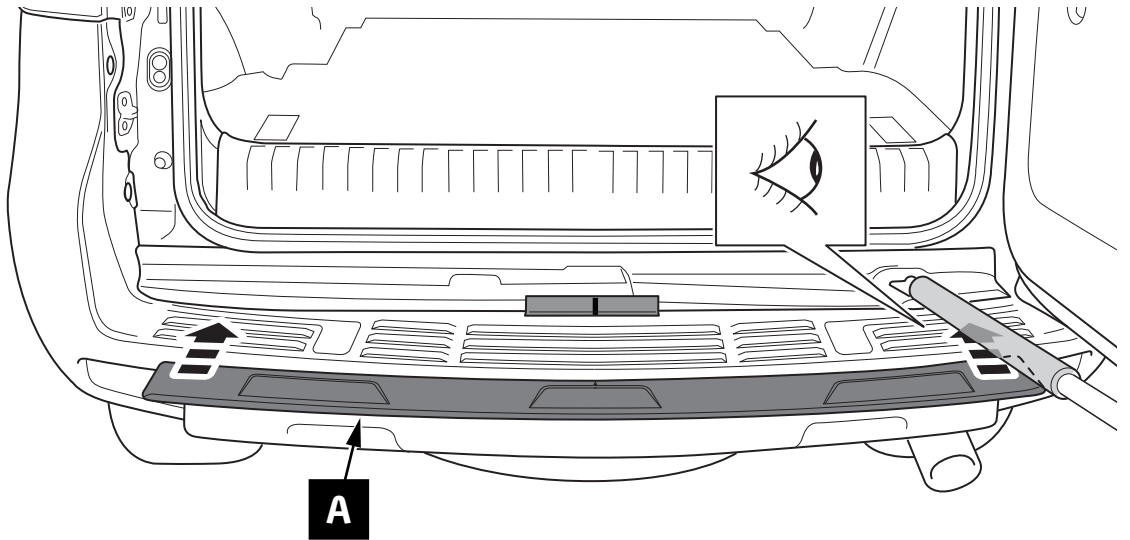
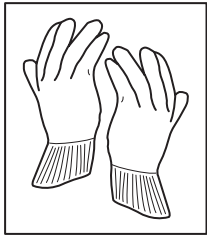
1



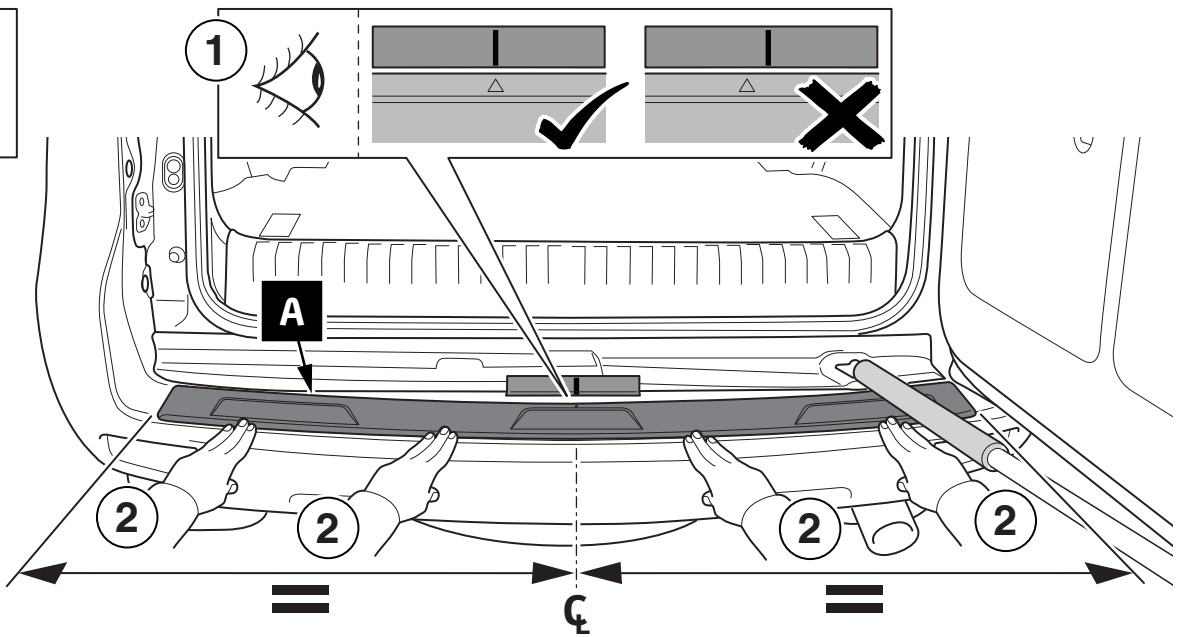
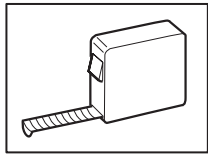
2



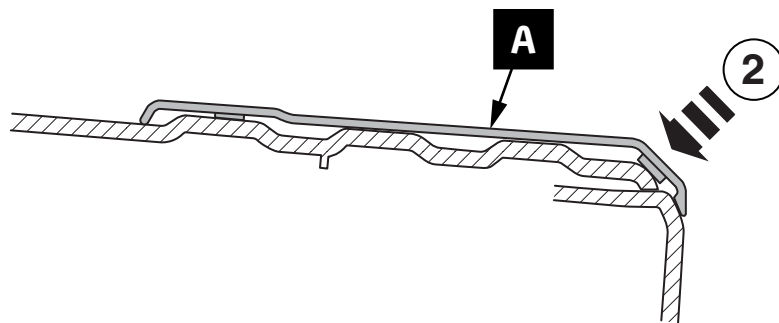
3

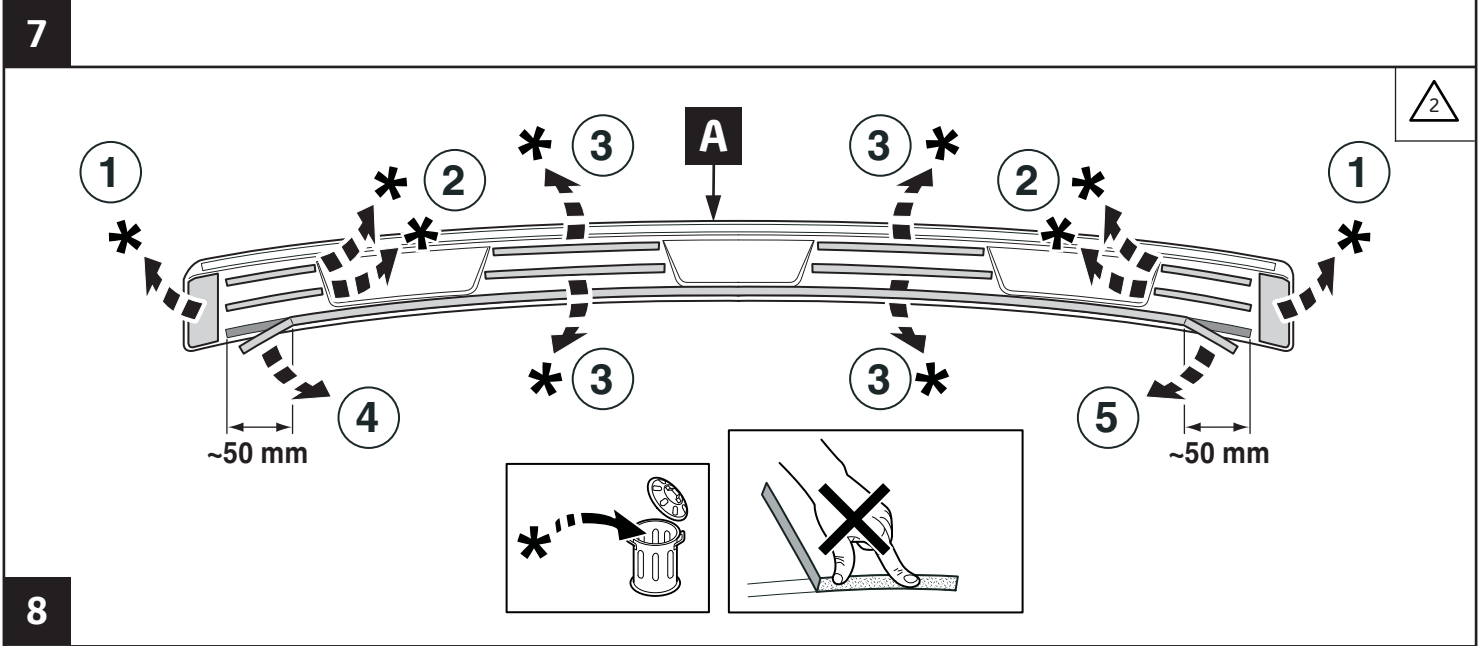
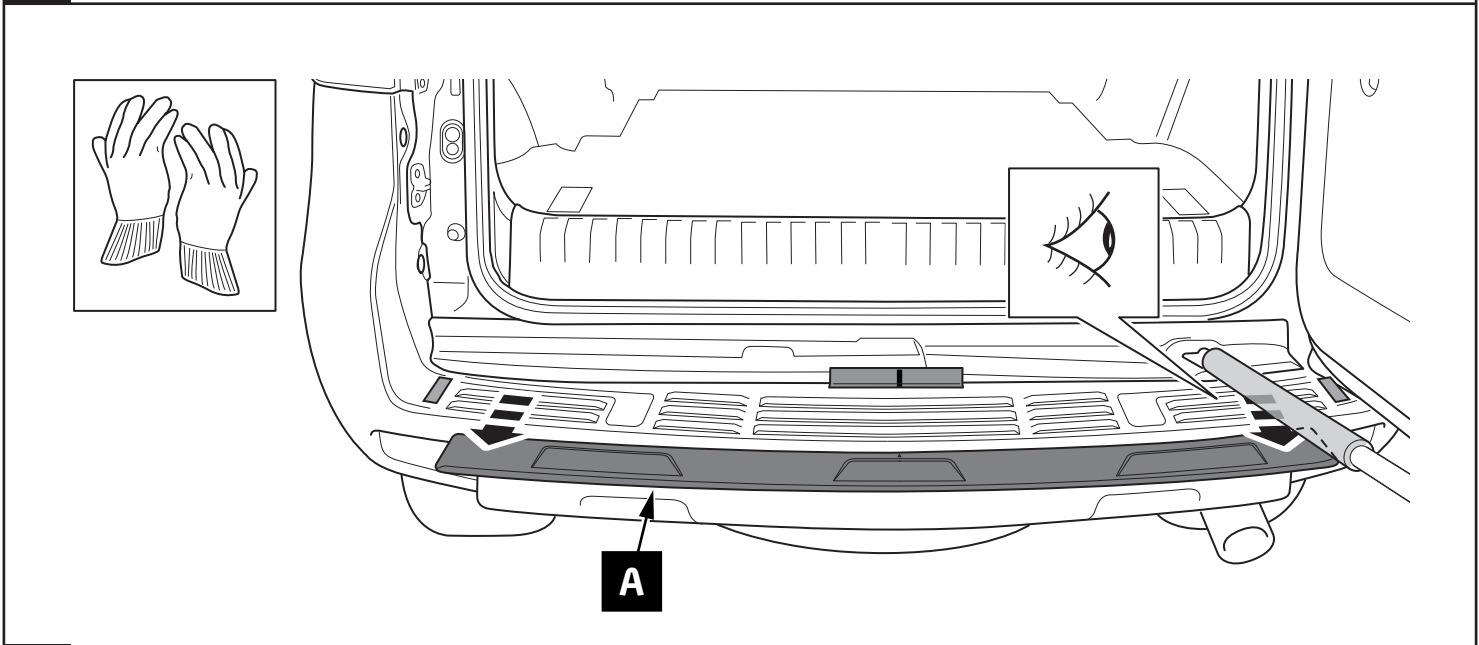
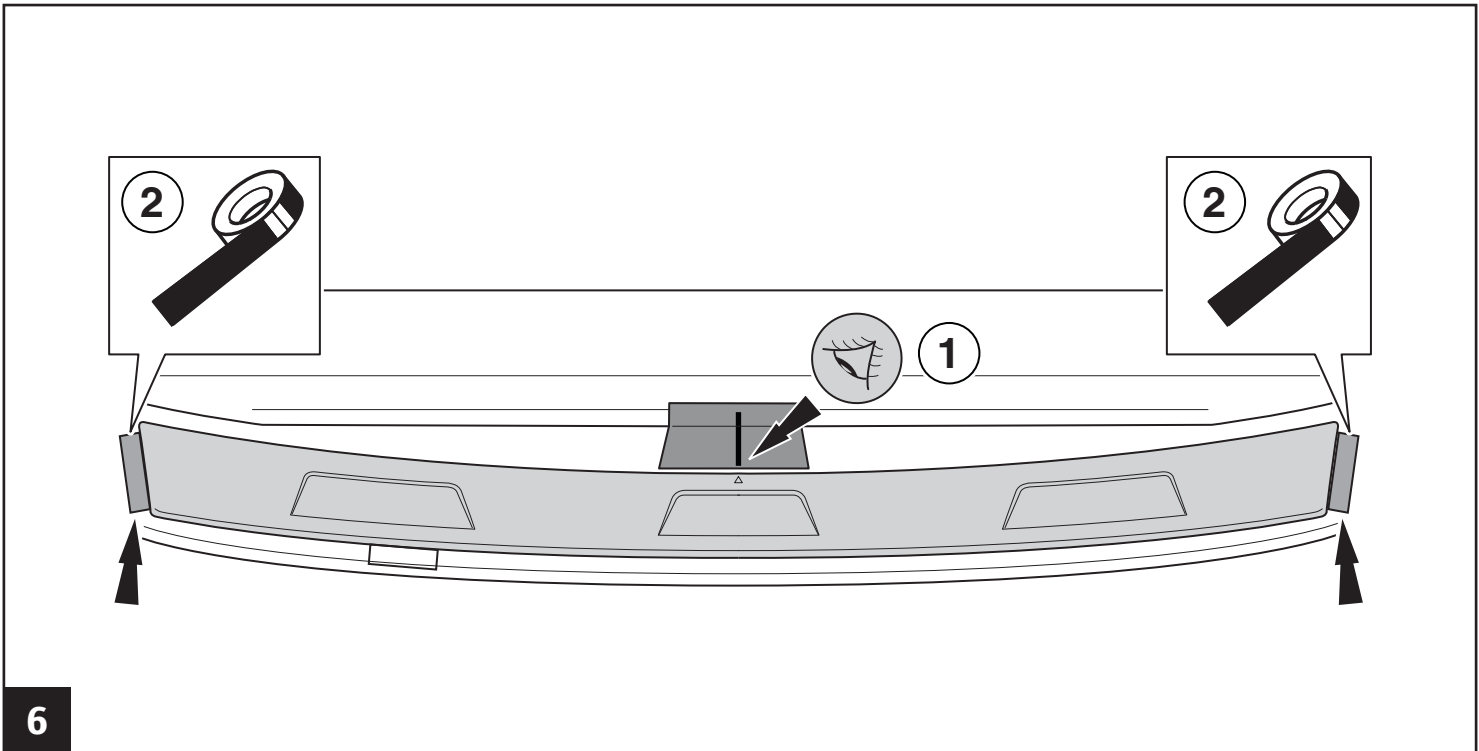


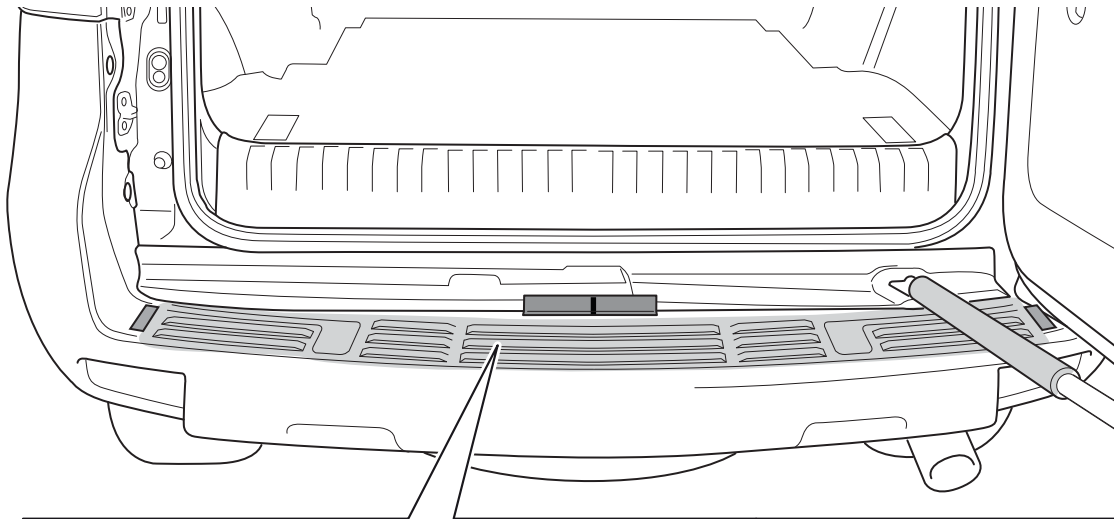
4



5

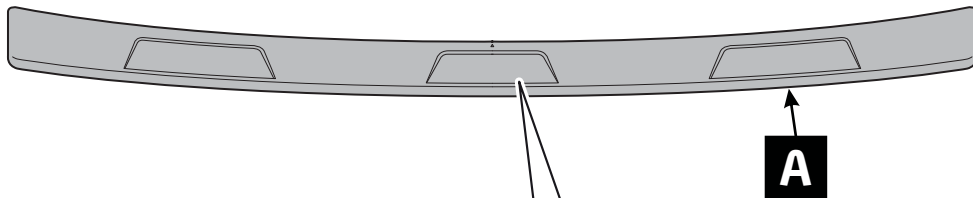






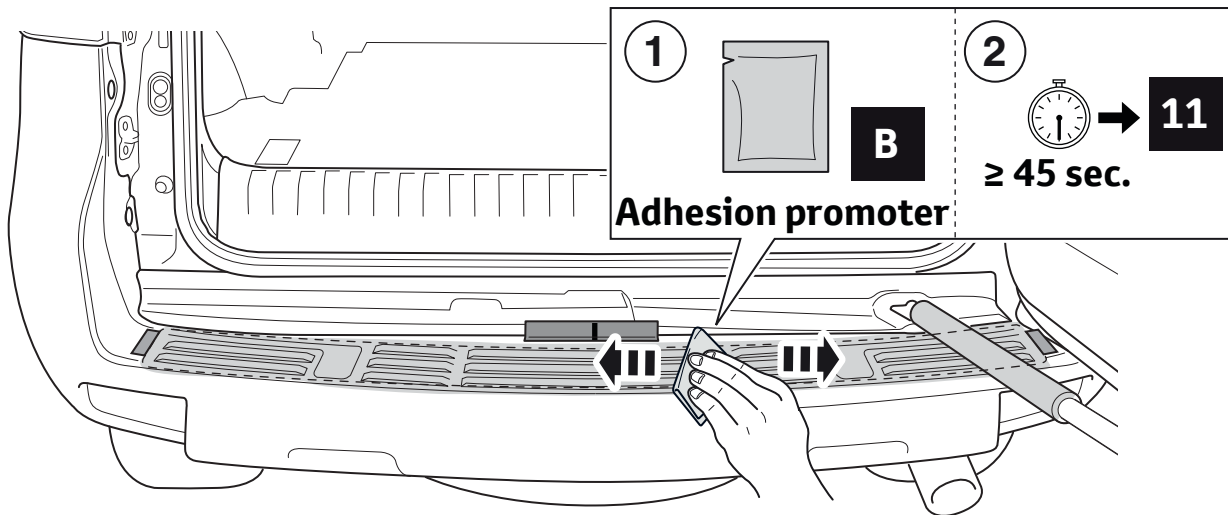
<p>1</p>	<p>< 20°C → 2</p> <p>20°C - 40°C → 10</p>	<p>2</p>
<p>3</p>	<p>20°C - 40°C → 10</p>	<p>INFO</p>

9

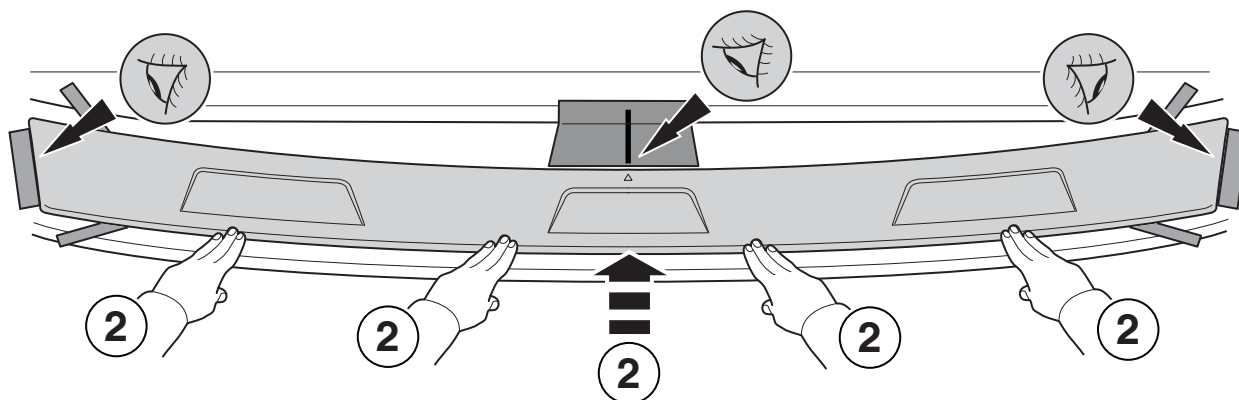
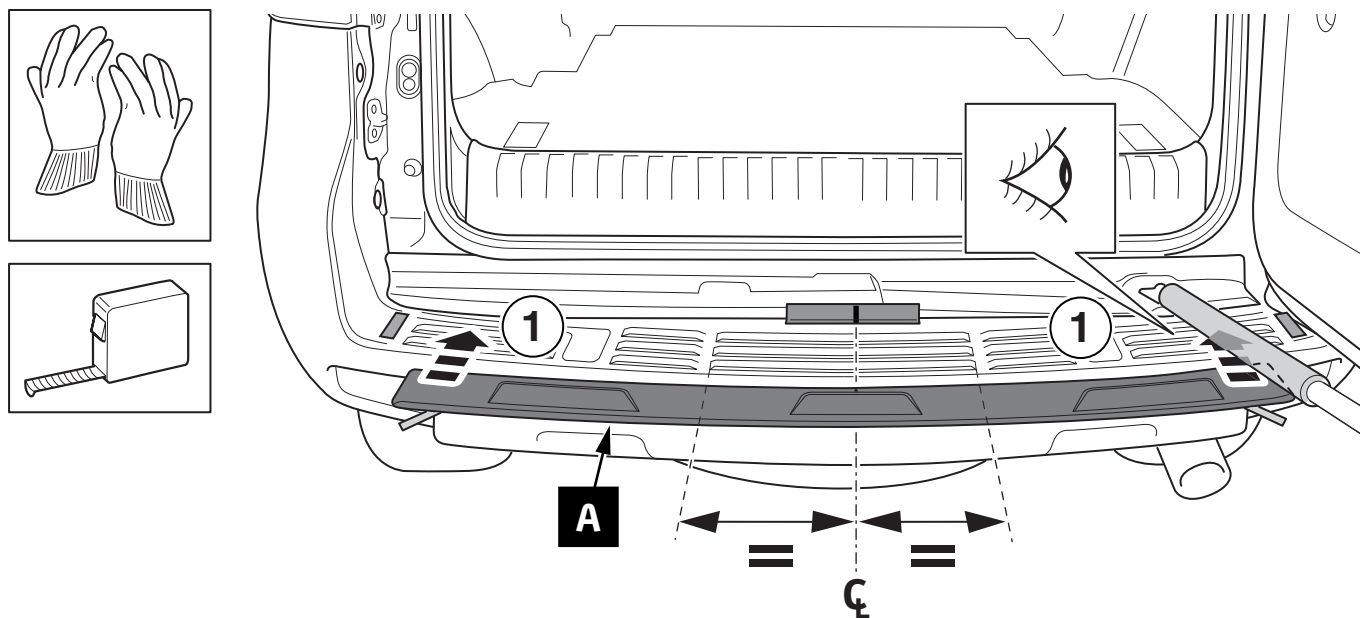


<p>1</p>	<p>< 20°C → 2</p> <p>20°C - 40°C → 11</p>	<p>2</p>
<p>3</p>	<p>20°C - 40°C → 11</p>	<p>INFO</p>

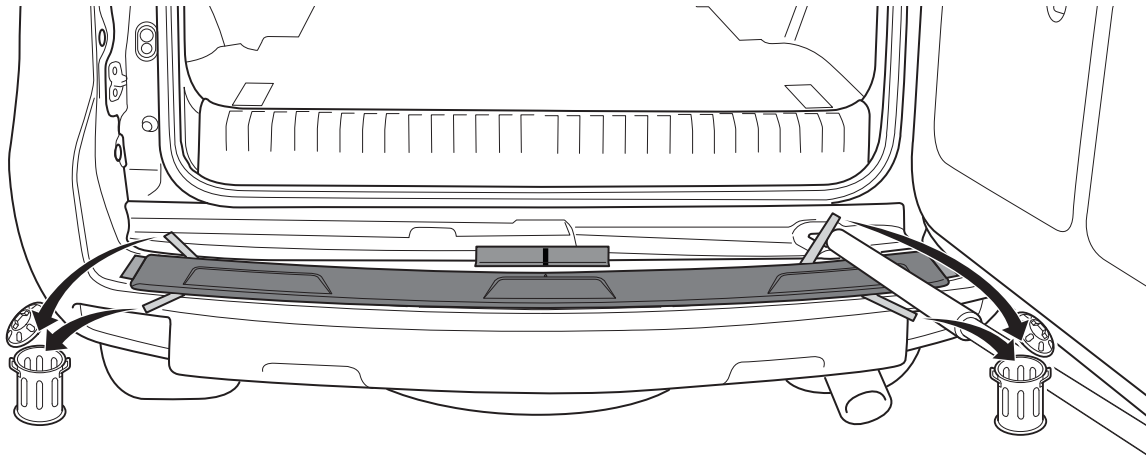
10



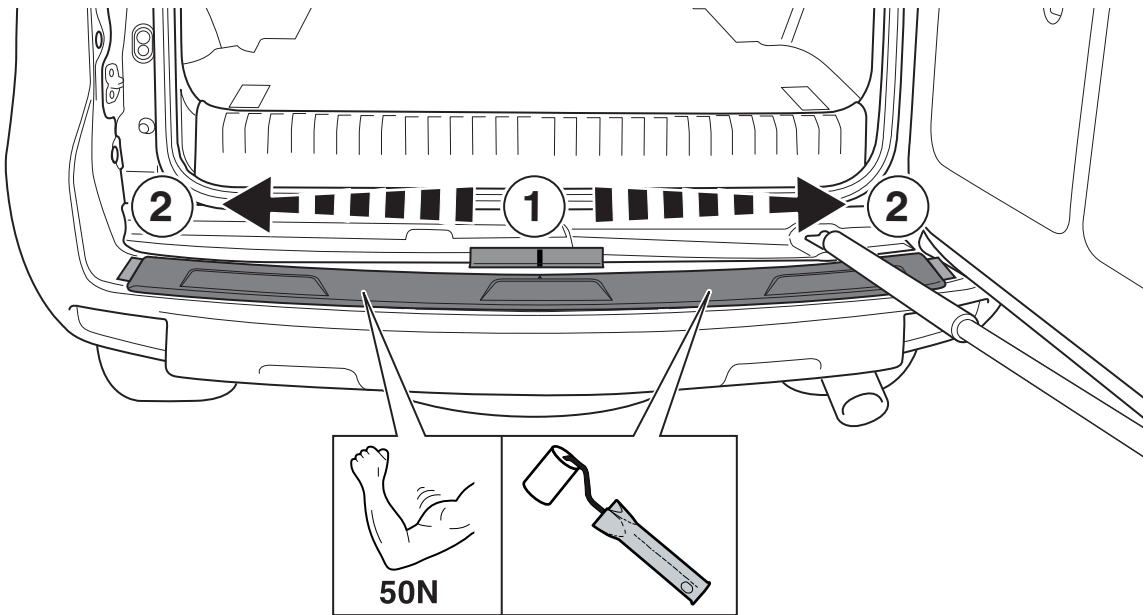
11



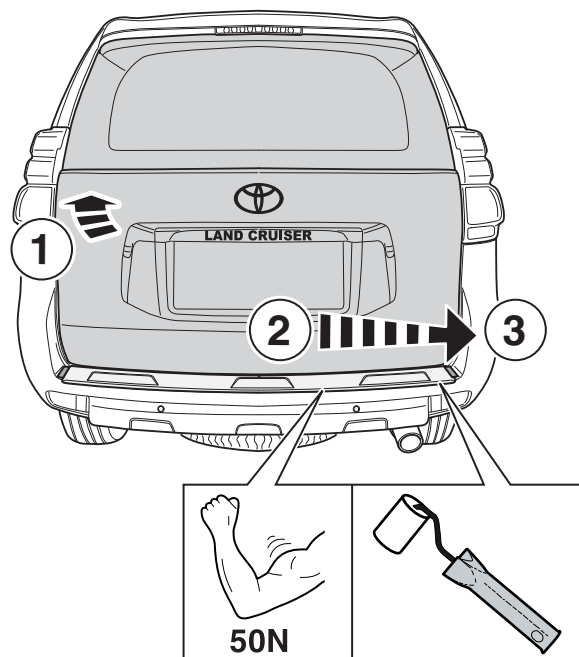
12



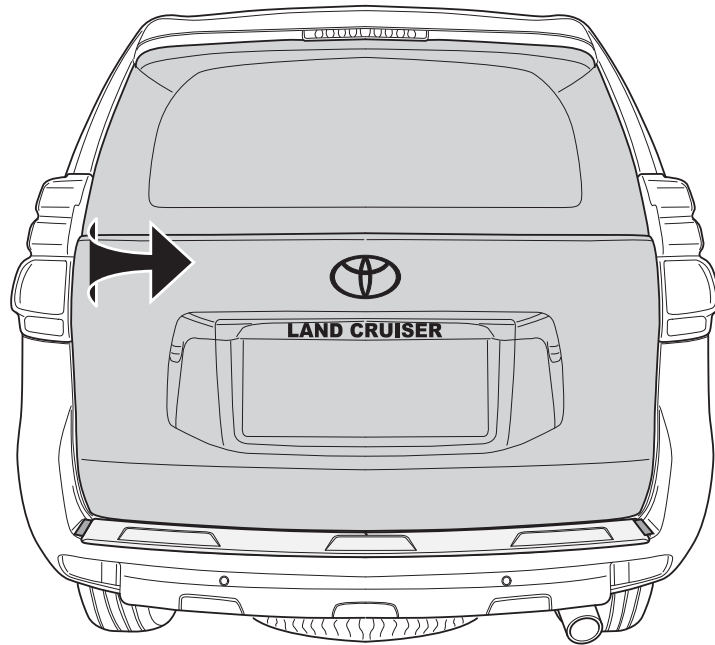
13



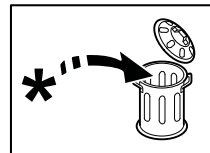
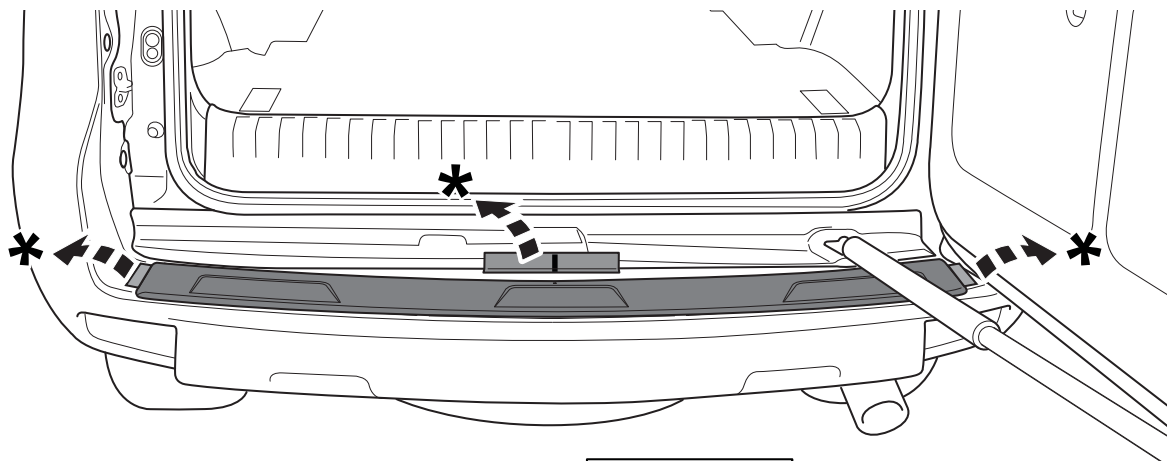
14



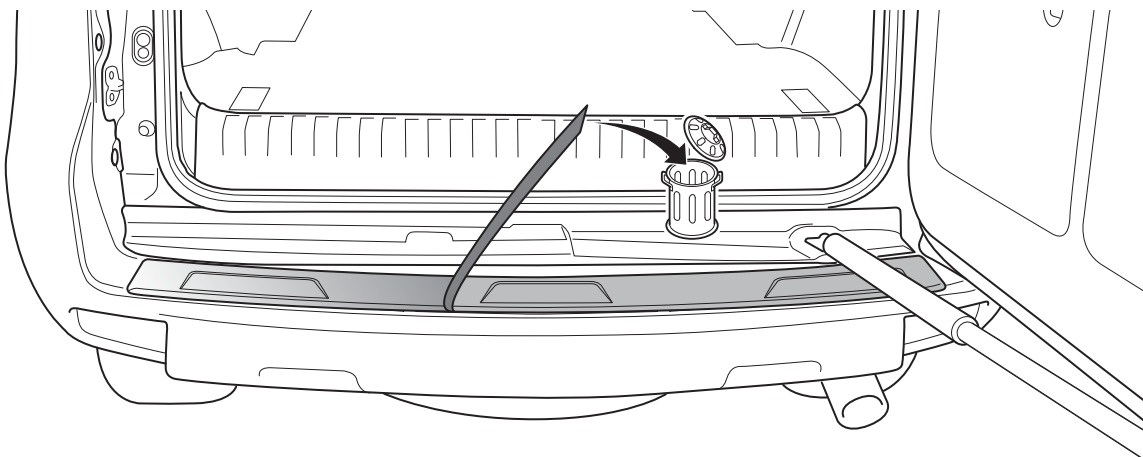
15



16

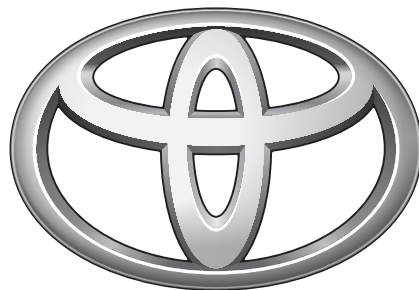
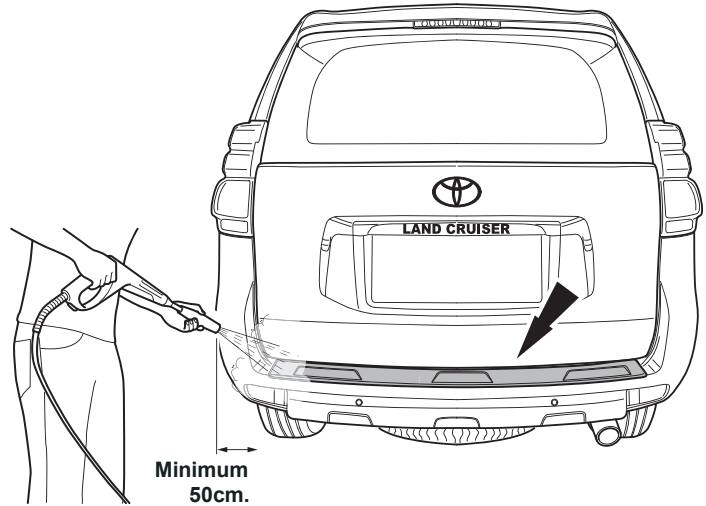
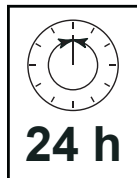
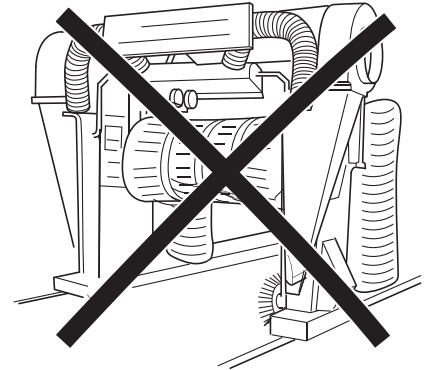
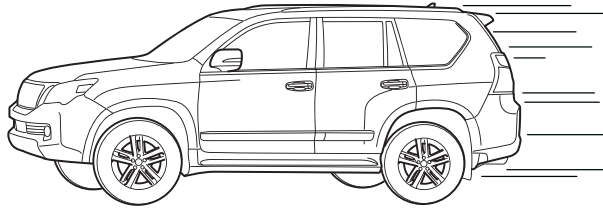


17



18

INFO



TOYOTA



TOYOTA

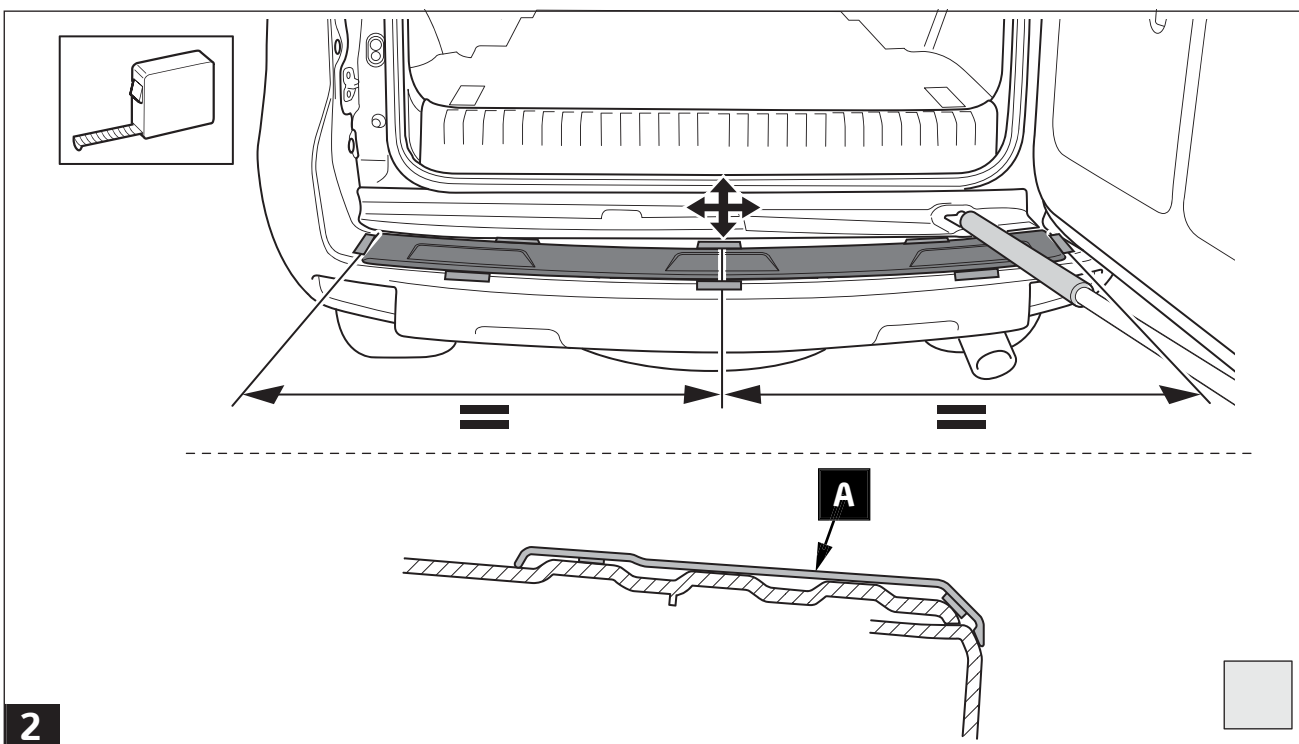
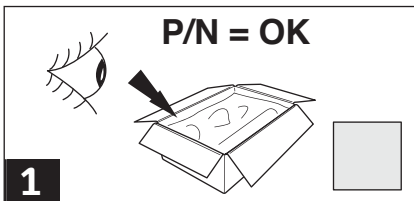
Model / Year **Land Cruiser**
2017/09

Rear bumper protection
plate - stainless steel

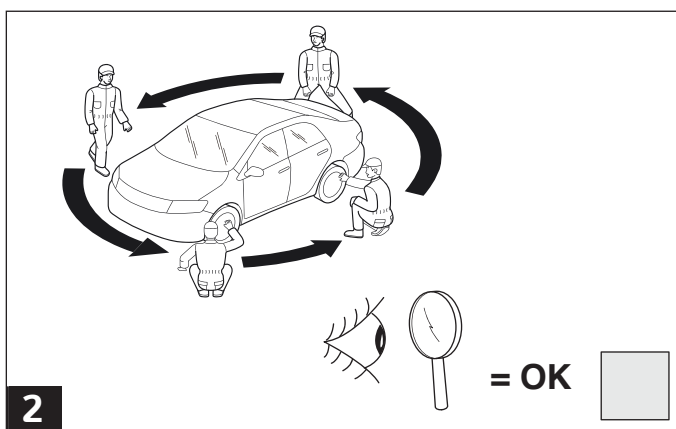
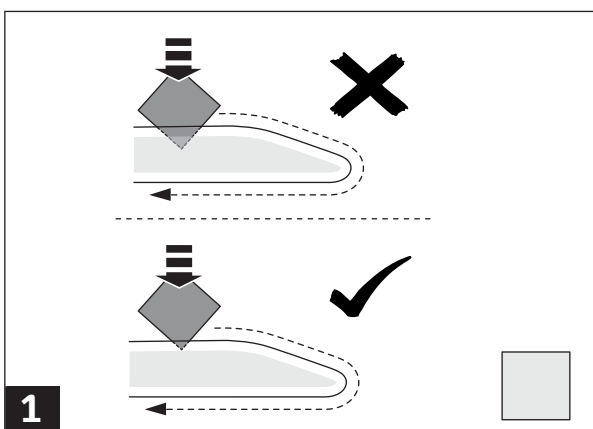
VIN n°

ALWAYS A
BETTER WAY

DURING INSTALLATION



AFTER INSTALLATION



Installation Date:

... / ... / ...

Technician Name & Signature:

Stamp:
