

# PROACE PROACE Verso PROACE Electric PROACE Verso Electric

Side bars - Short Wheel Base

Installation instructions



ALWAYS A  
BETTER WAY

Model year: as from 2016/02 (PROACE, PROACE Verso)  
as from 2020/10 (PROACE Electric)  
as from 2021/01 (PROACE Verso Electric)

Vehicle code: M\*\*\*2\*\*-LB\*\*\*W

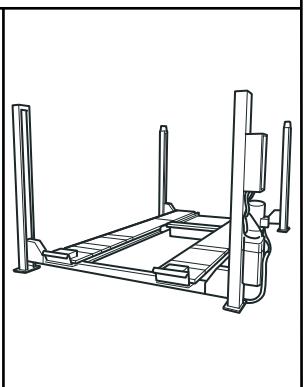
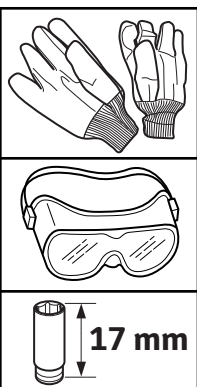
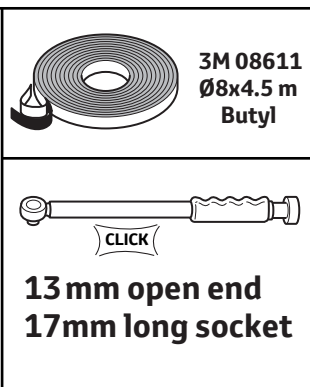
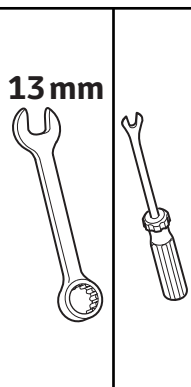
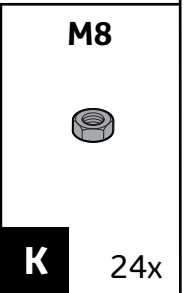
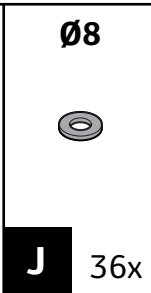
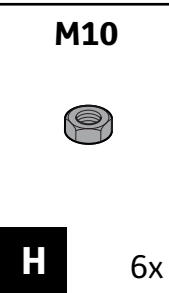
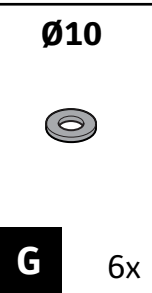
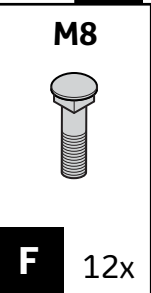
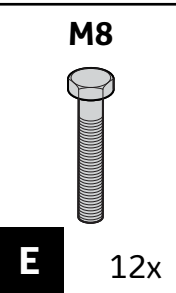
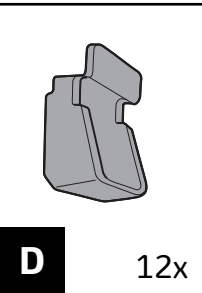
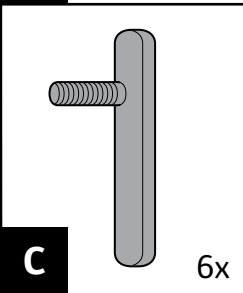
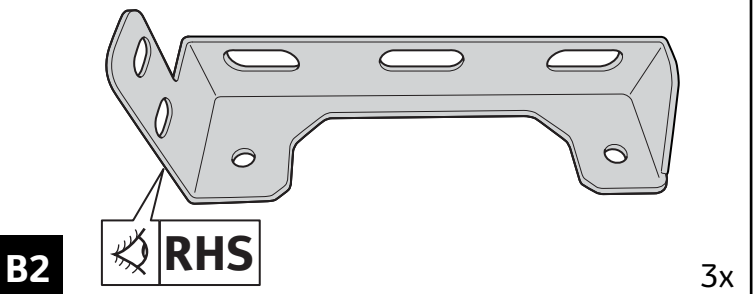
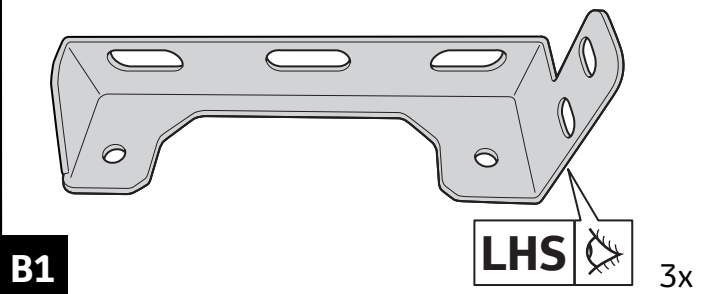
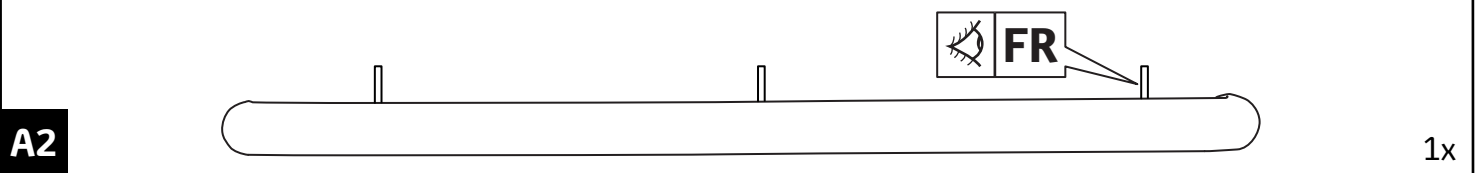
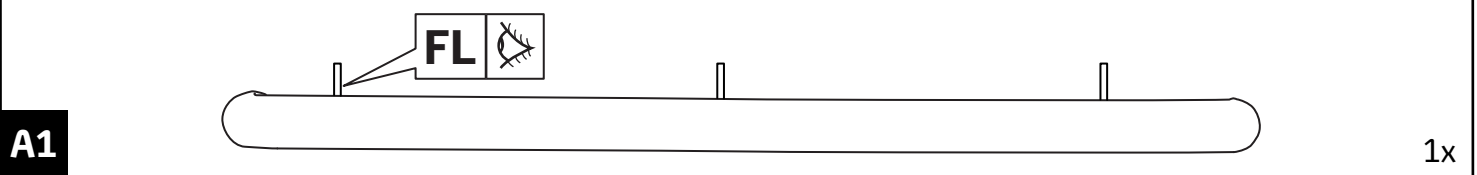
Part number: PZ4L1-H1900-00

Manual reference number: AIM 003 900 - 2

# Revision Record

Rev. No.	Date	Page	Picture	Update	New	Deleted steps
1	30.10.18	2-13	1-16	X		
1	30.10.18	12	17		X	
Rev. No.	Date	Page	Step	Remarks		
△2	16.10.20	1		Vehicle names added & model year updated		
△2	16.10.20	2		Tools updated		
△2	16.10.20	13, 14	C/S	CheckSheet updated		

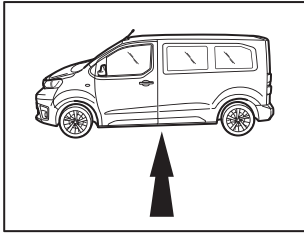
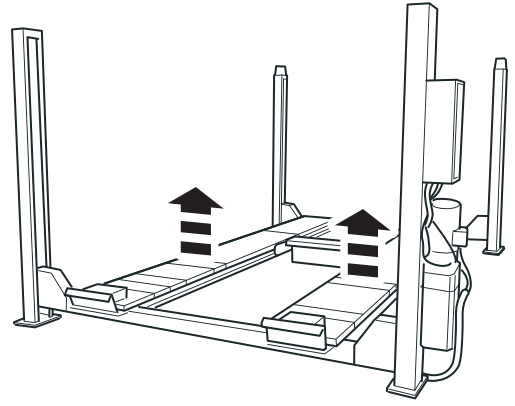
## PZ4L1-H1900-00



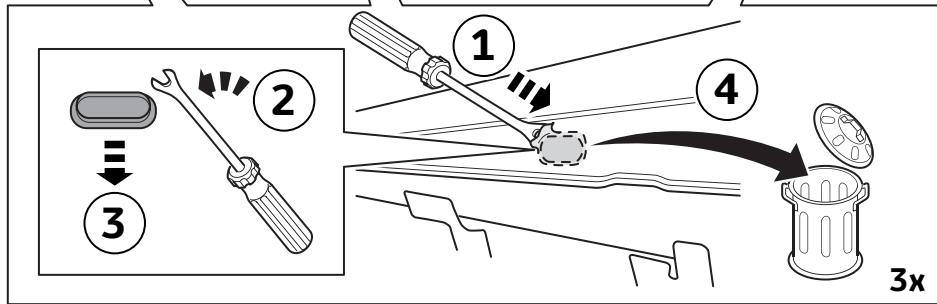
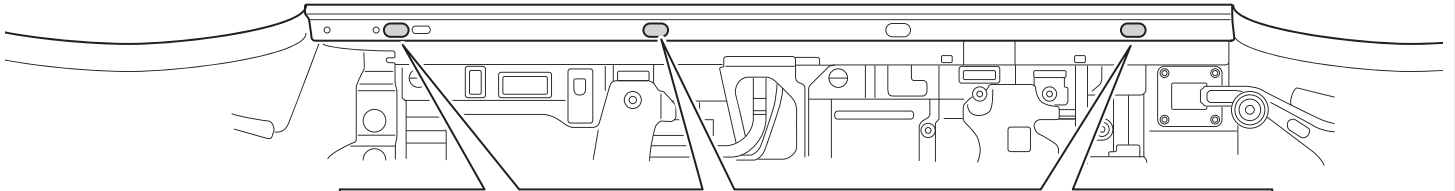
# Material Safety Data Sheet



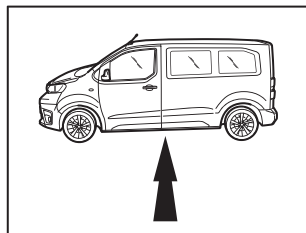
# Technical Data Sheet



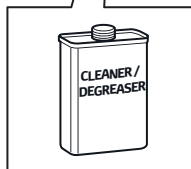
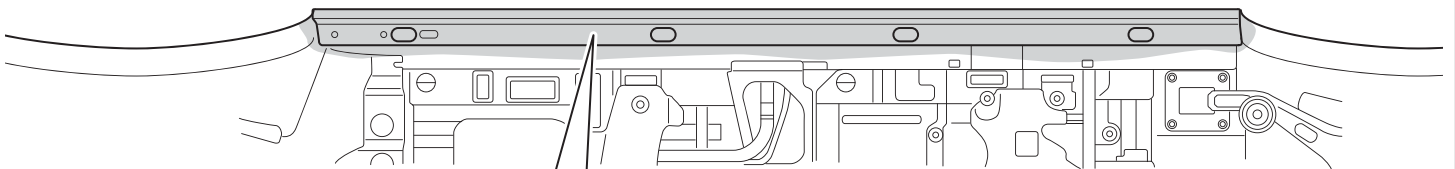
4+



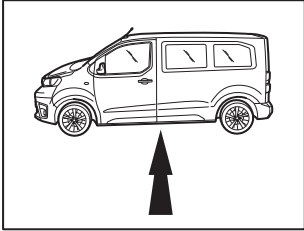
1



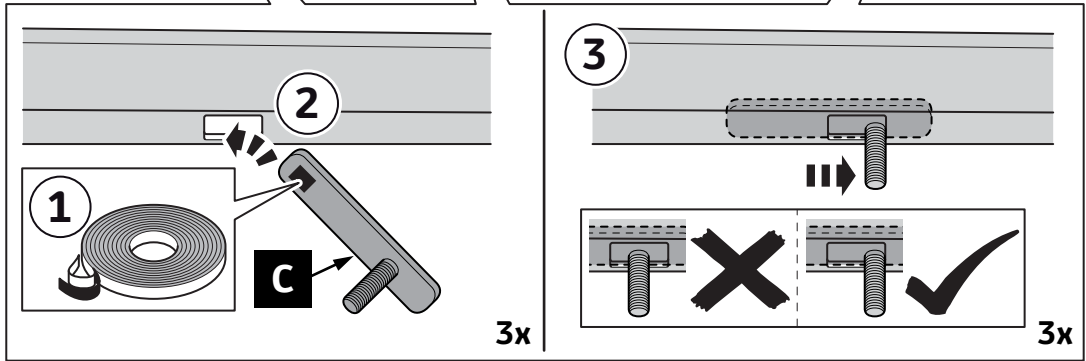
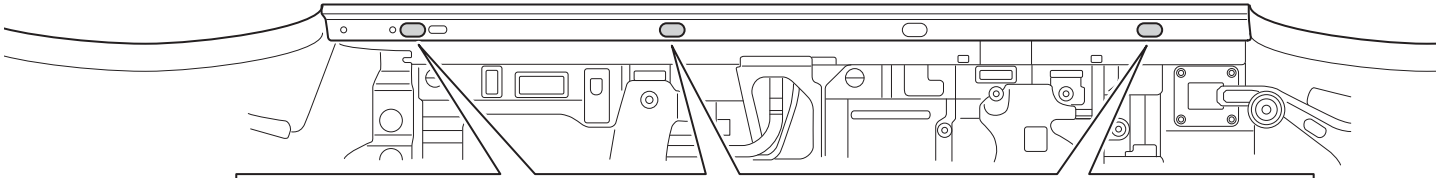
4+



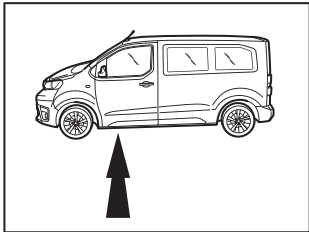
2



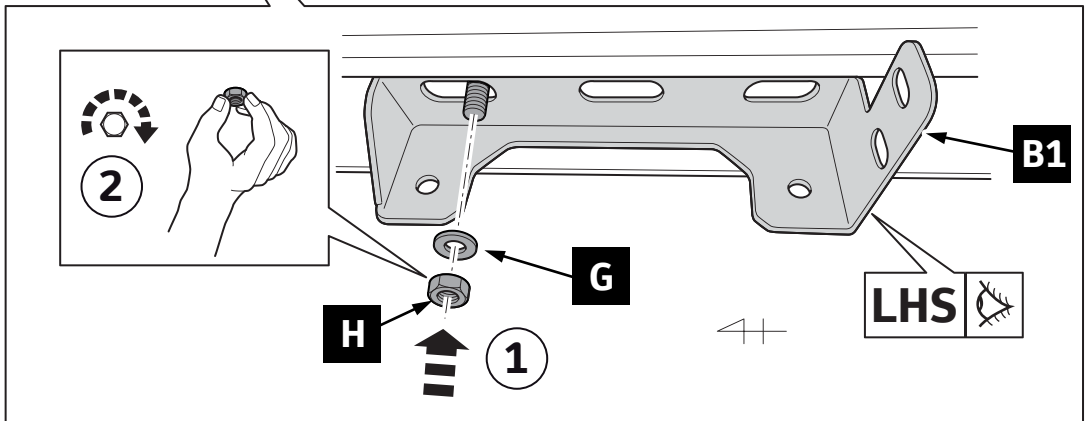
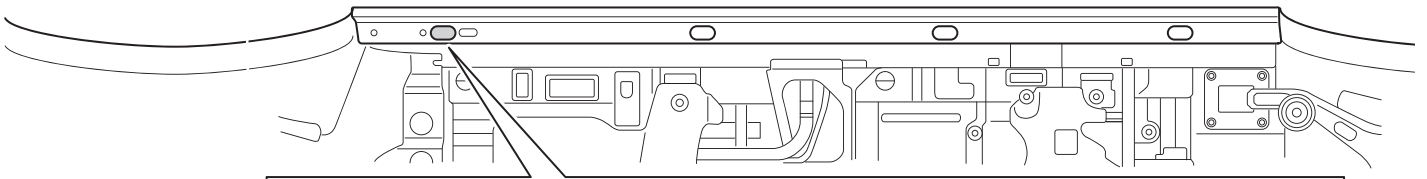
4+



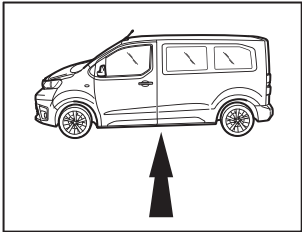
3



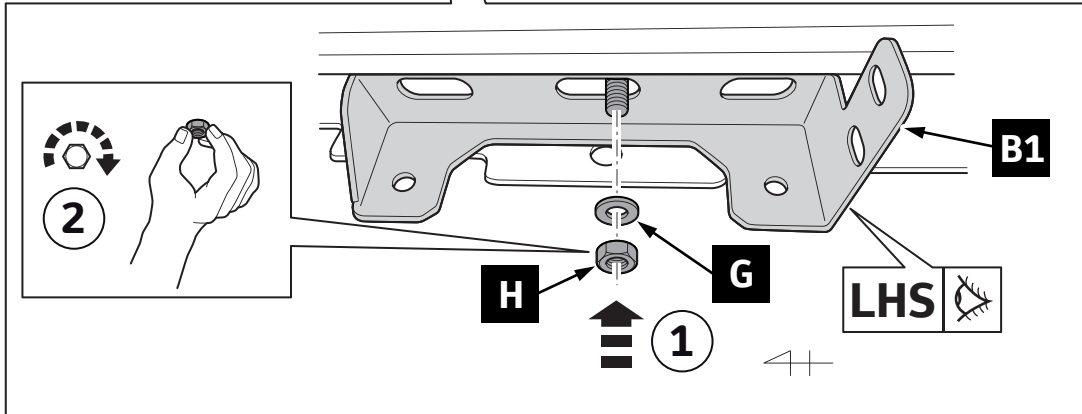
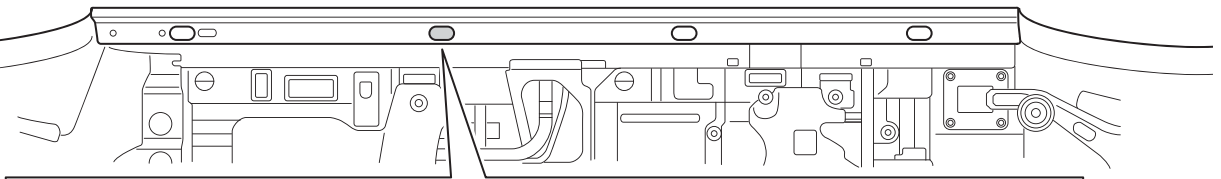
4+



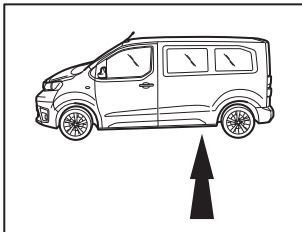
4



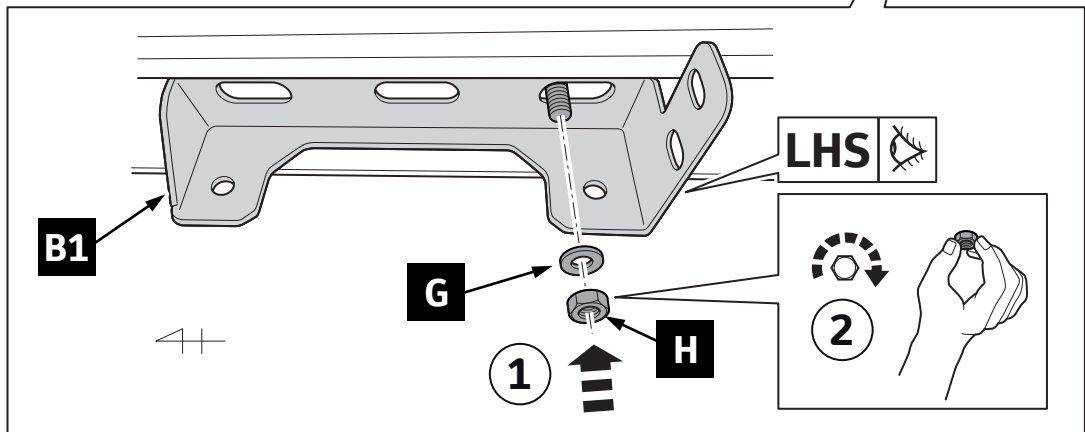
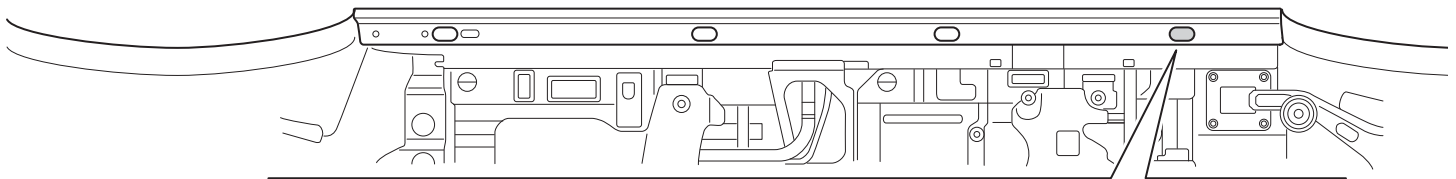
4+



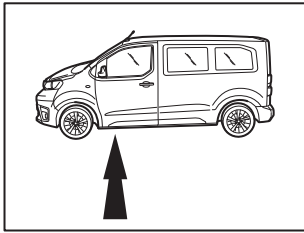
5



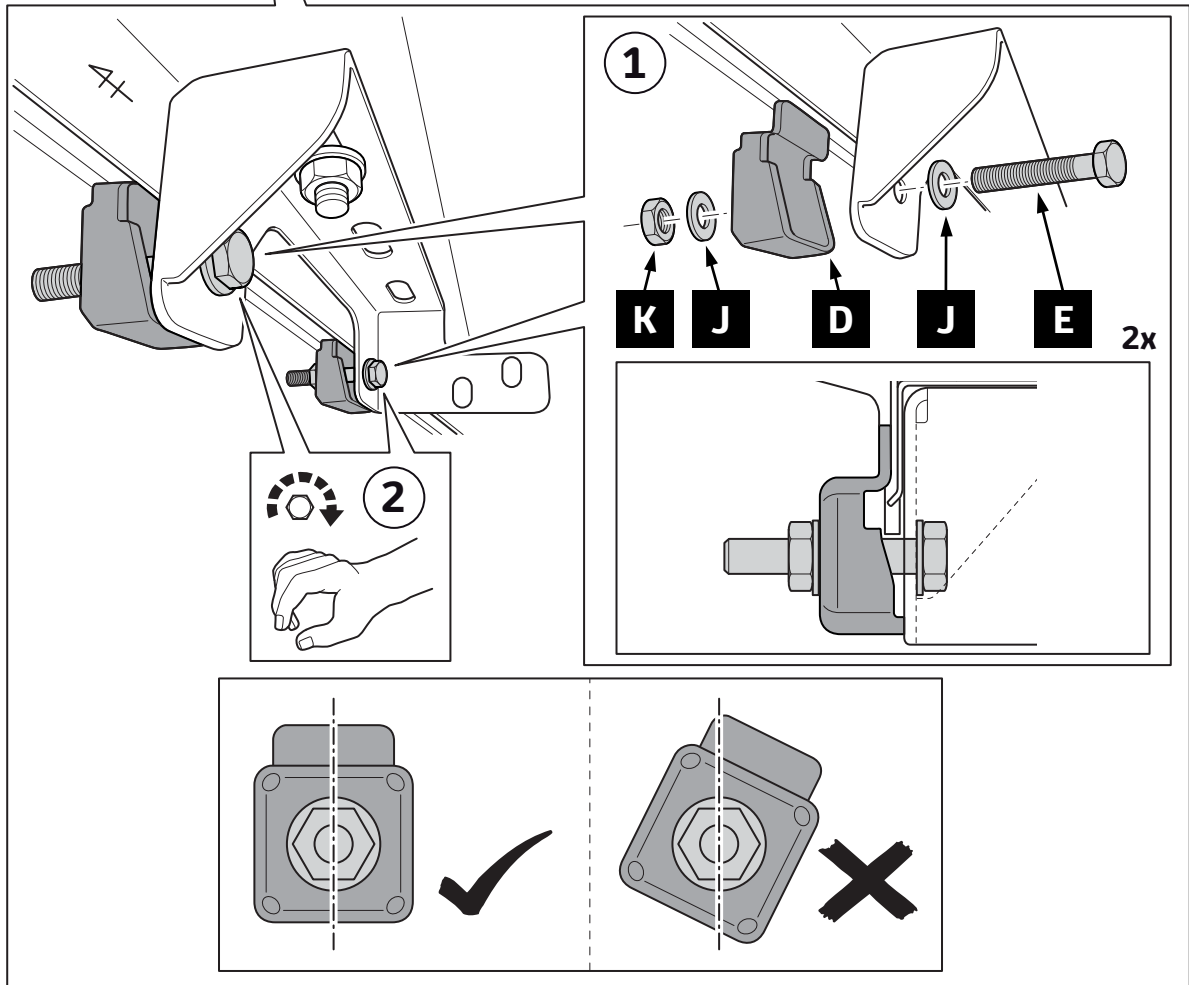
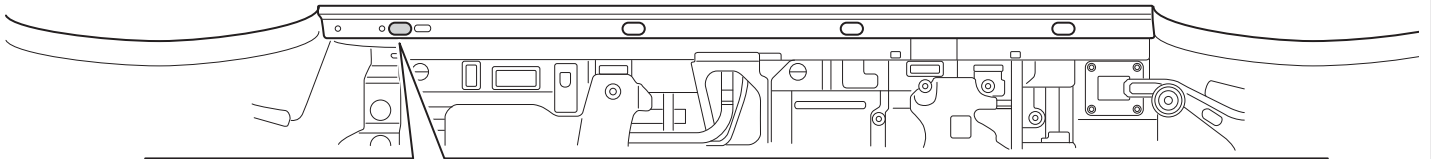
4+

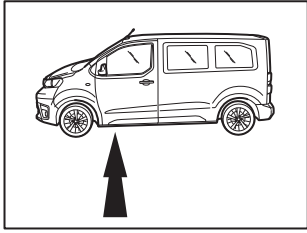


6

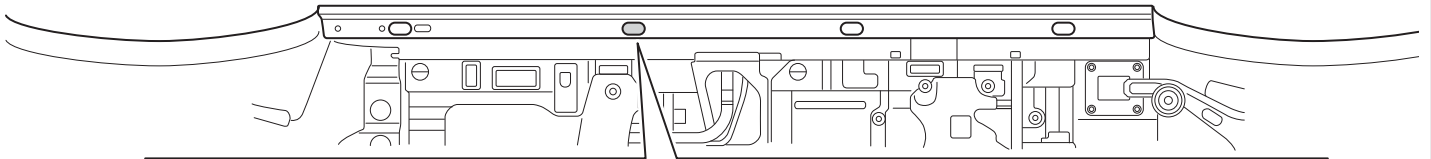


4+





4+



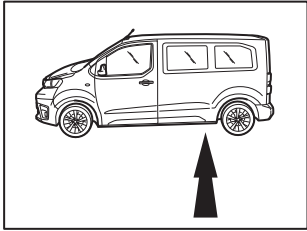
**1**

**K** **J** **D** **J** **E** 2x

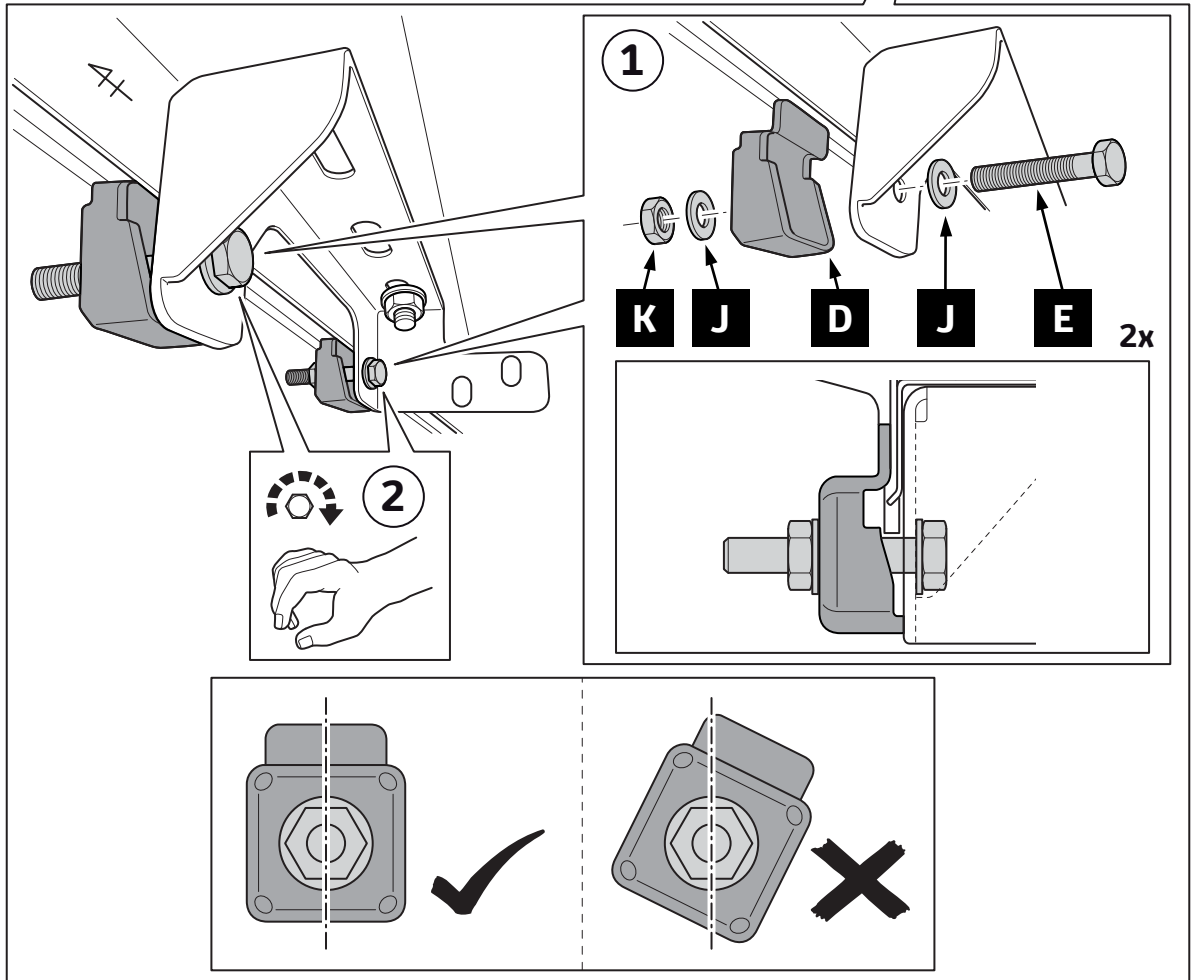
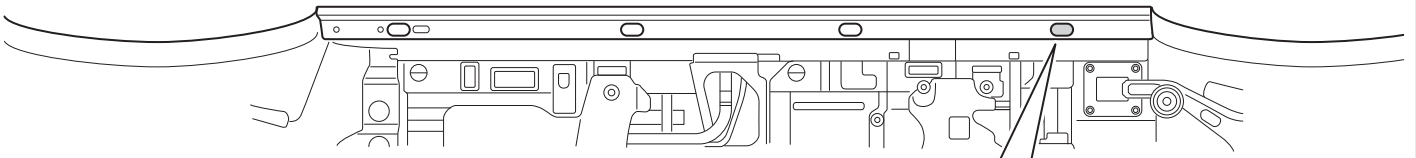
**2**

✓

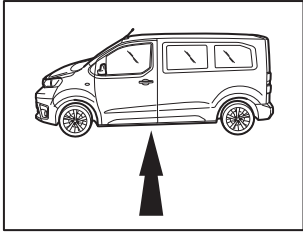
✗



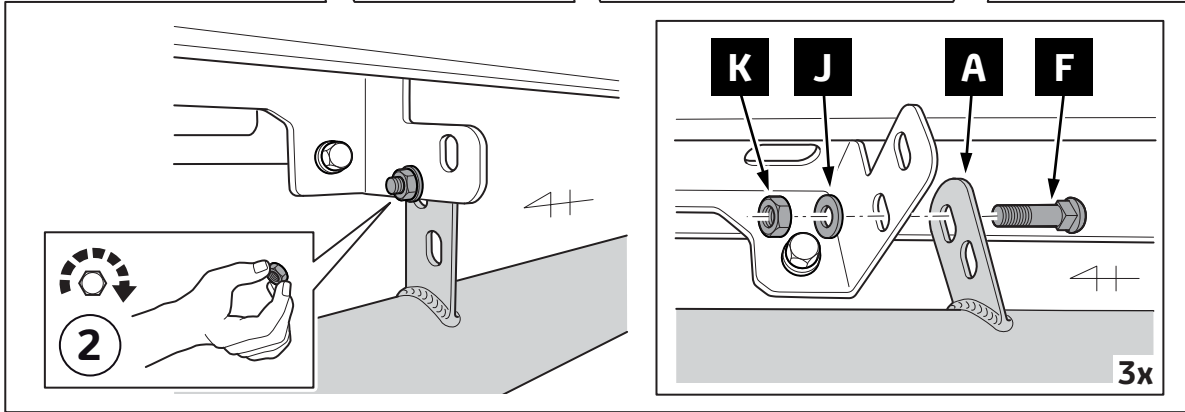
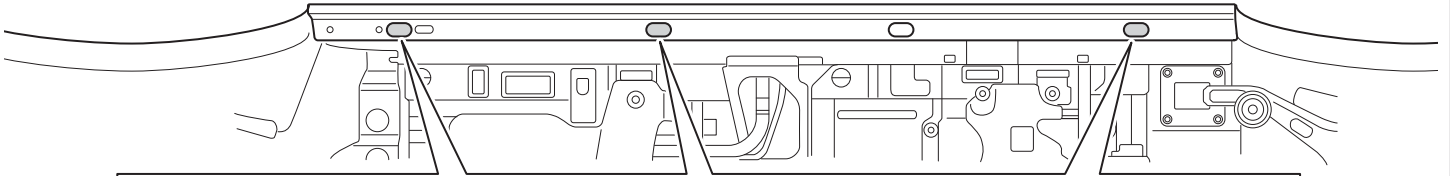
4+



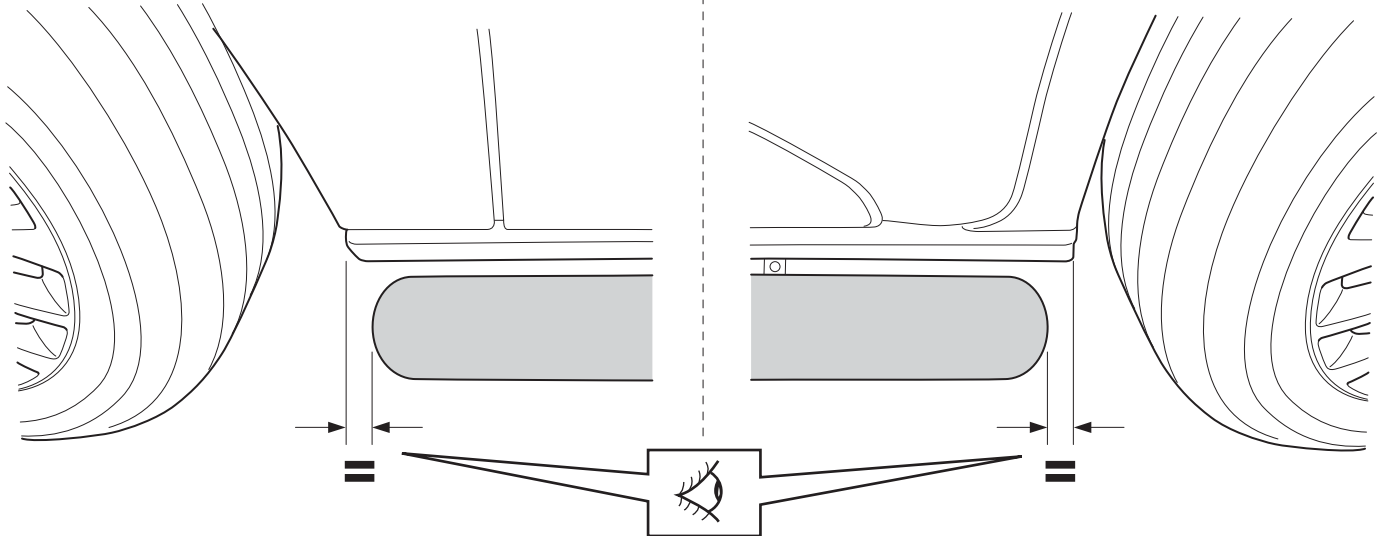
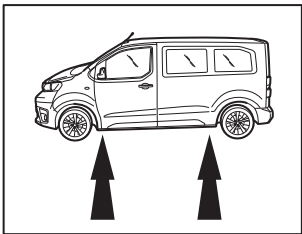




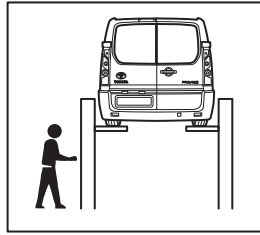
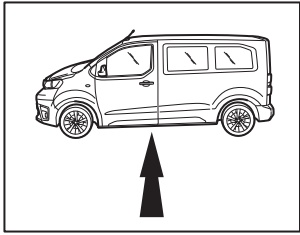
4+



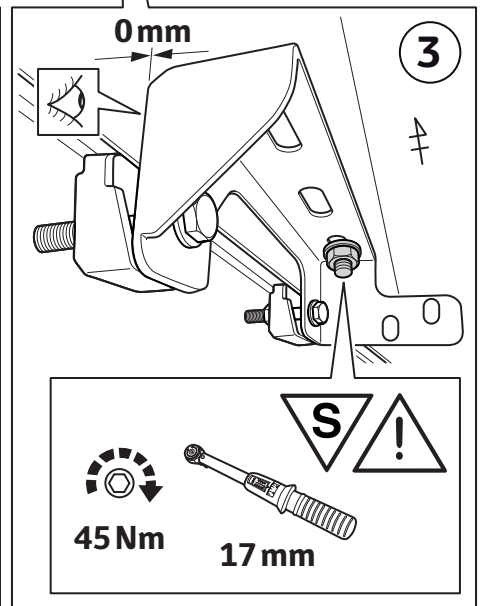
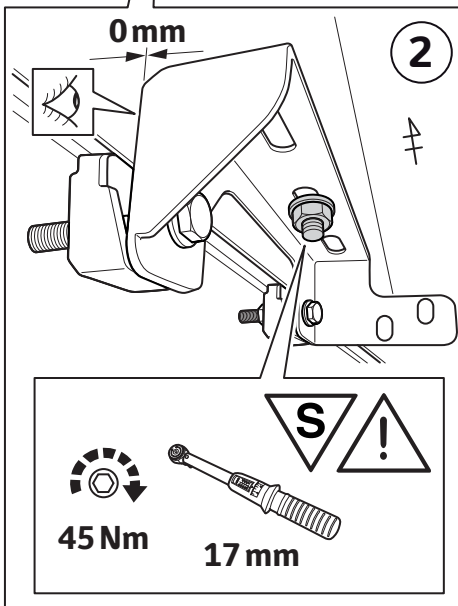
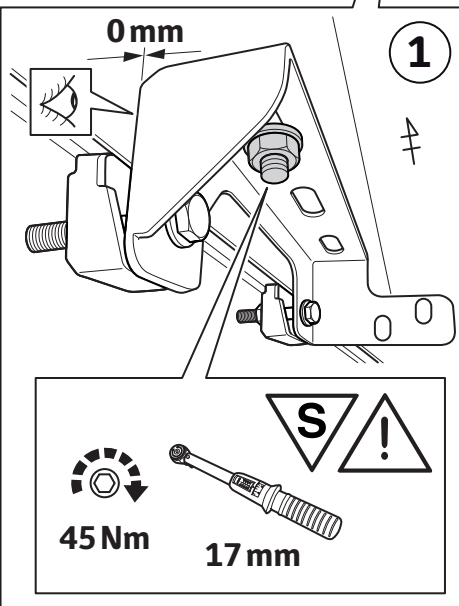
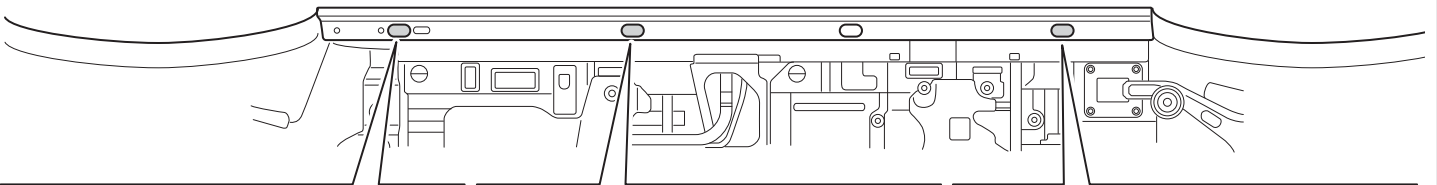
10

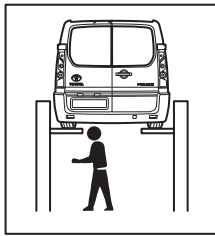
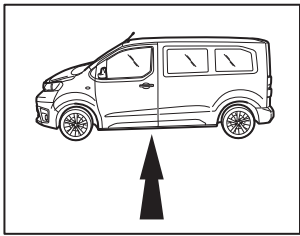


11

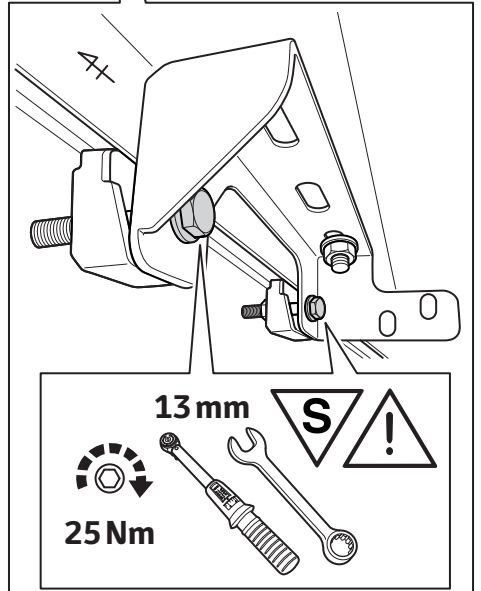
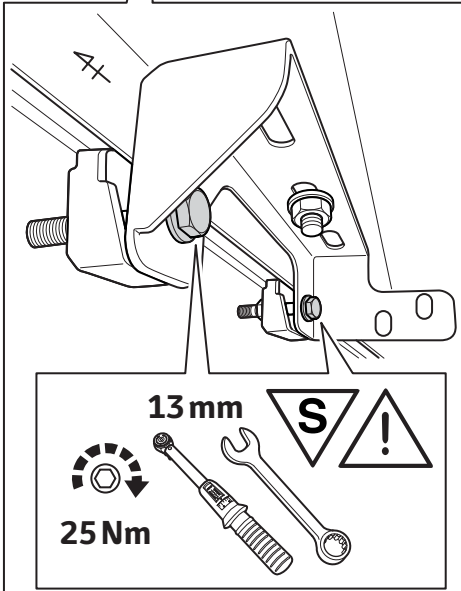
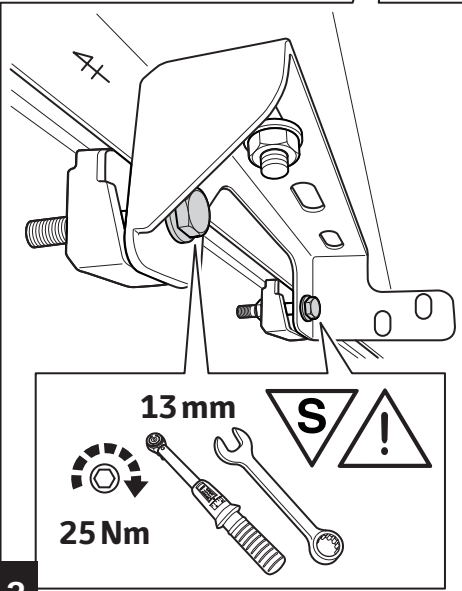
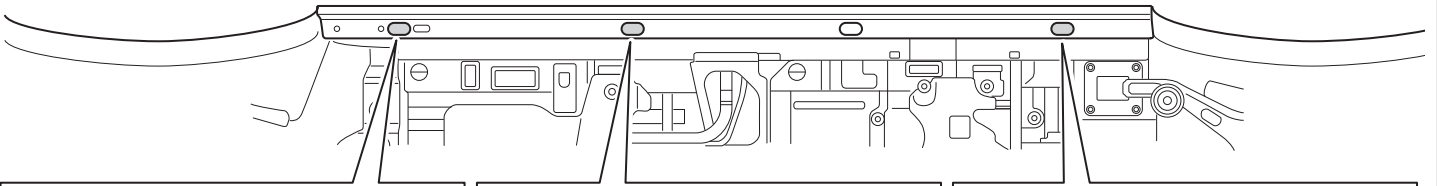


4+

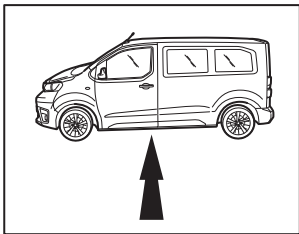




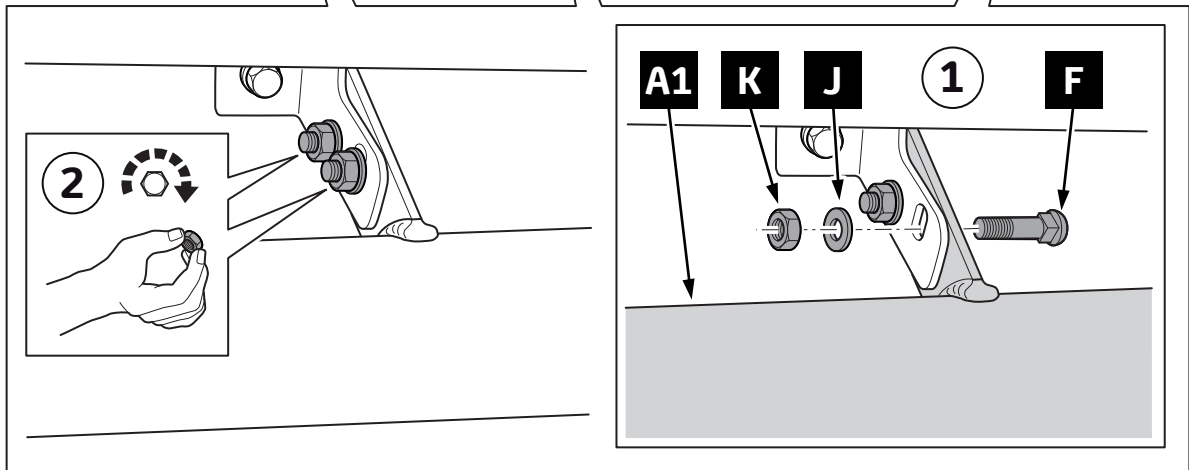
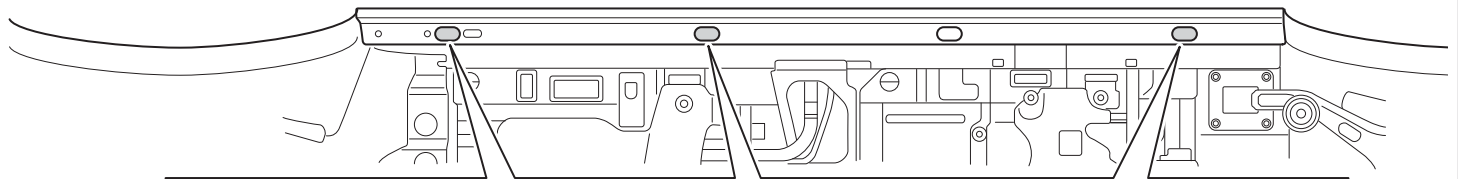
4+



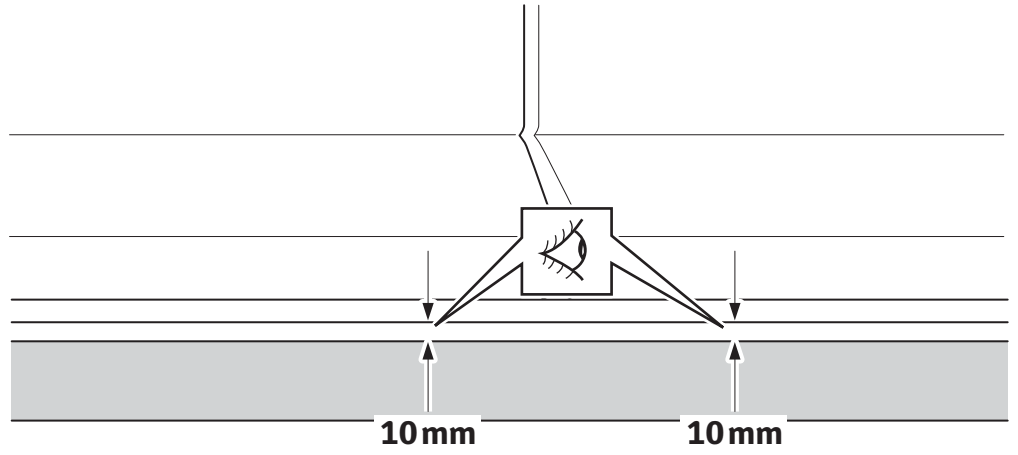
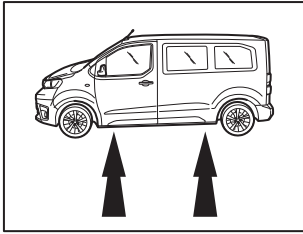
13



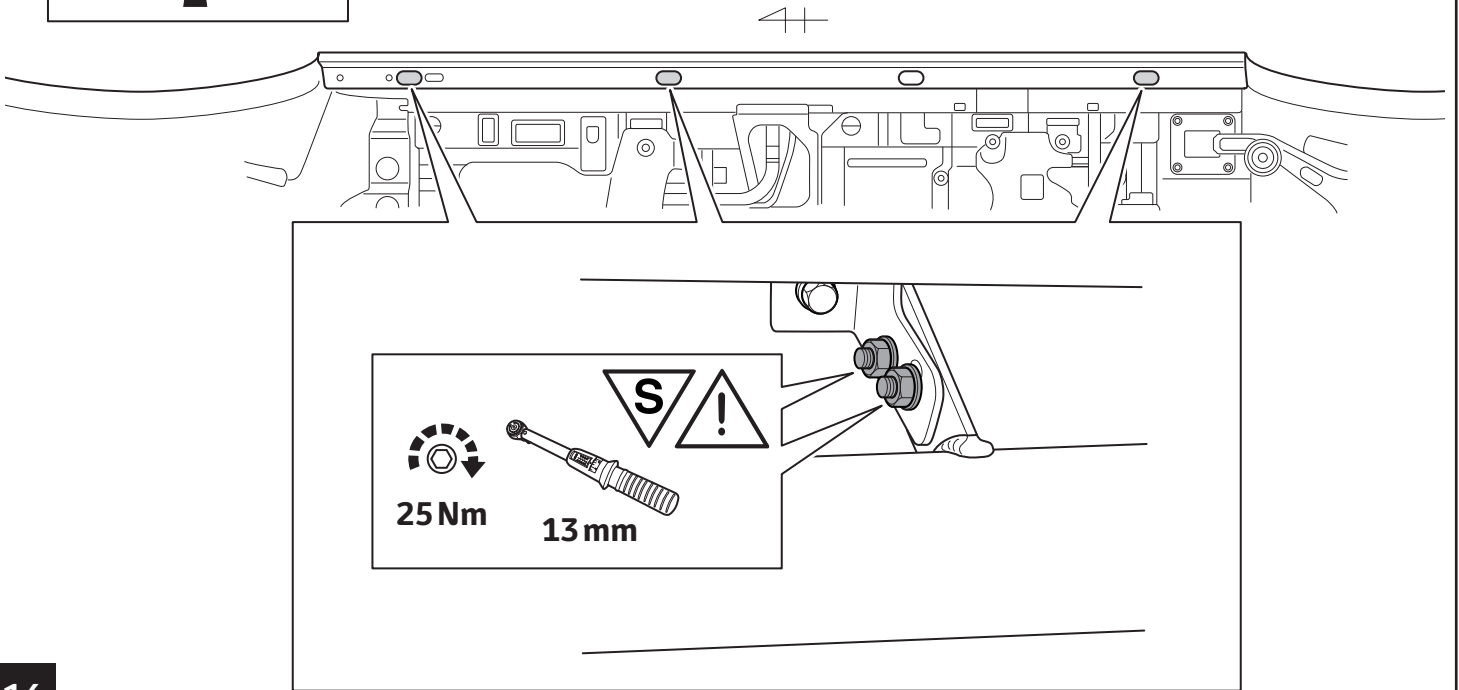
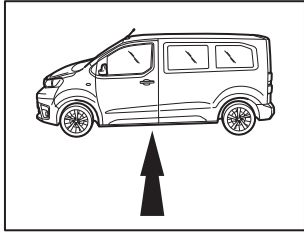
4+



14



15



16

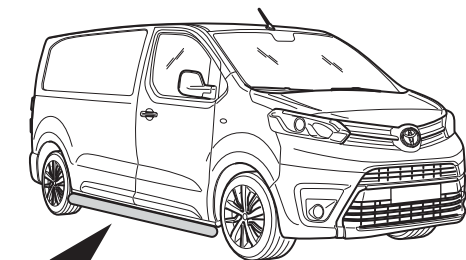


Fig.1 → Fig.16

**RHS**

**A2 B2**

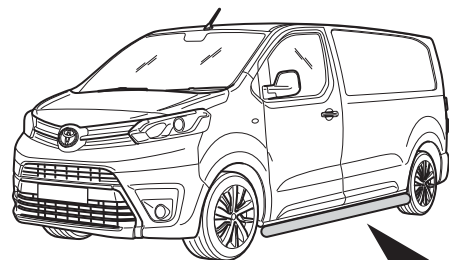


Fig.1 → Fig.16

**LHS**

**A1 B1**

**=**

17

# CHECK SHEET Page 1 of 2



**TOYOTA**

ALWAYS A BETTER WAY

**Model / Year**

PROACE / PROACE Verso  
as from 2016/02,  
PROACE Electric as from 2020/10,  
PROACE Verso Electric  
as from 2021/01

**Side bars,  
short wheel base**

**VIN n°**

## DURING INSTALLATION

**1**

P/N = OK

=A =B

## AFTER INSTALLATION

**1**

**45 Nm** **CLICK**  
**6x Serial Number**

LHS RHS  
A B A B

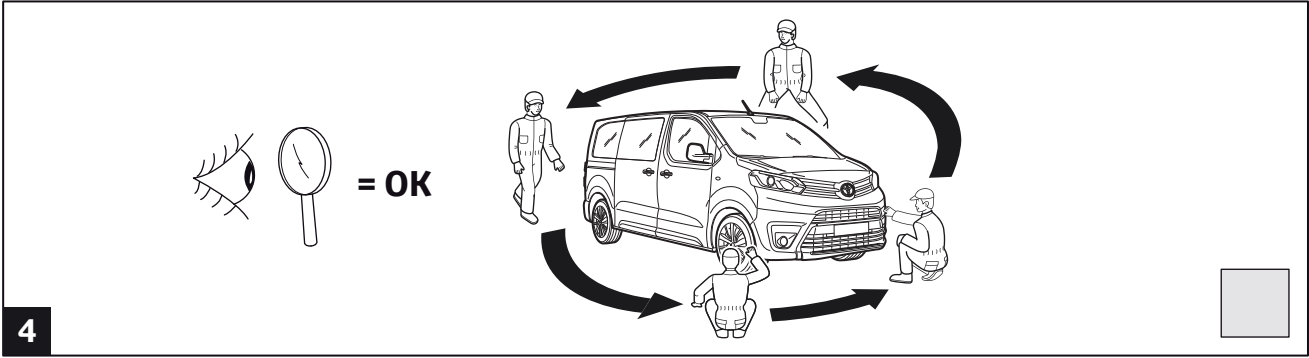
**2**

**25 Nm** **CLICK**  
**24x Serial Number**

LHS RHS  
A B A B

**3**

10mm 10mm



**Installation Date:**  
. . / . . / . . . .

**Technician Name & Signature:**

**Stamp:**