



TOYOTA

ALWAYS A
BETTER WAY

Hilux

Decoration set, "Invincible"

Installation instructions

Model year: As from 2015/04

Vehicle code:
GUN1***-C***HW
GUN1***-D***HW
GUN1***-CN**XW
GUN1*5*-CNF*XW
GUN1***-D***XW

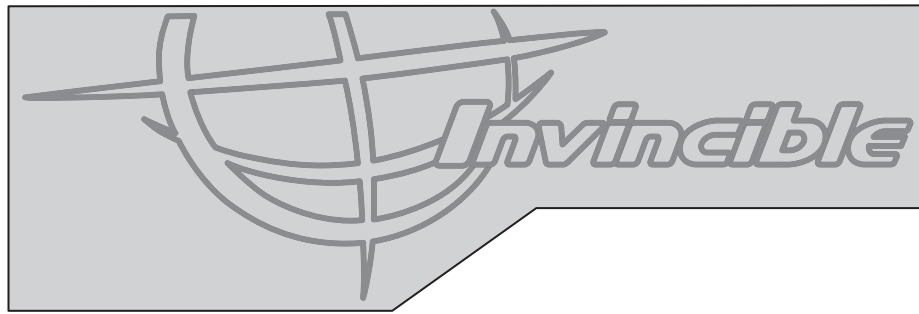
Part number: PW18A-0K000 (light colour)
PW18A-0K001 (dark colour)

Manual reference number: AIM 003 420 - 1

Revision Record

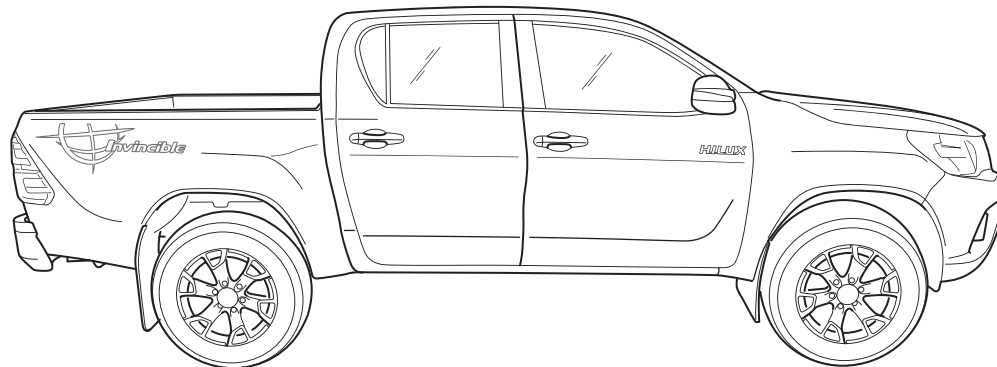
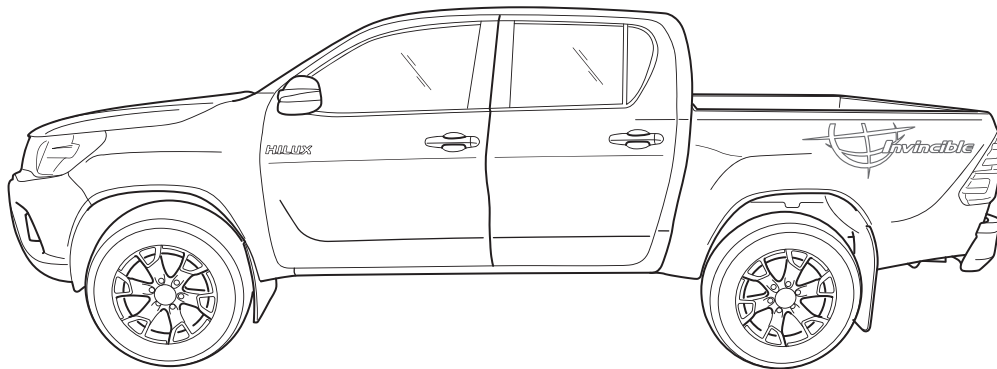
Rev. No.	Date	Page	Step	Remarks
①	16.04.20	1, 3, 4, 10, 11		Updated
①	16.04.20	5, 9	1, 10	Updated
①	16.04.20	6, 10	3, 4, 11	New
①	16.04.20	9, 10, 11	9, 10, 11, 12, 13	Deleted

PW18A-0K000 Light colour
PW18A-0K001 Dark colour




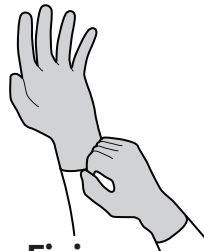
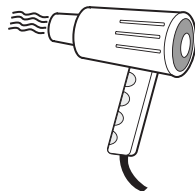
A

2x

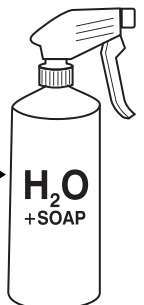


CLEANER
DEGREASER

 **AIM 003-516-***



**Finixa
Nitril gloves**



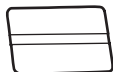
100 : 1



**H₂O
+SOAP**



PZ438-00030-90



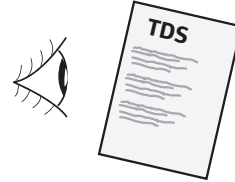
3m Gold Squeegee + Low Friction Sleeve

NOT INCLUDED

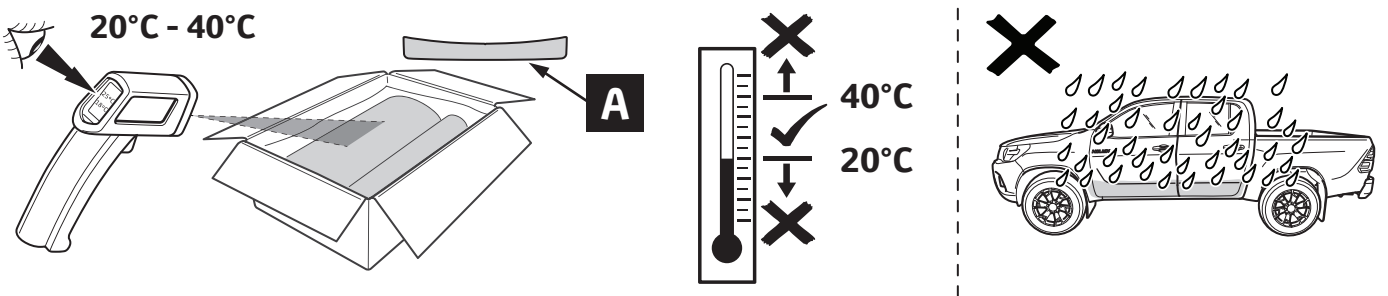
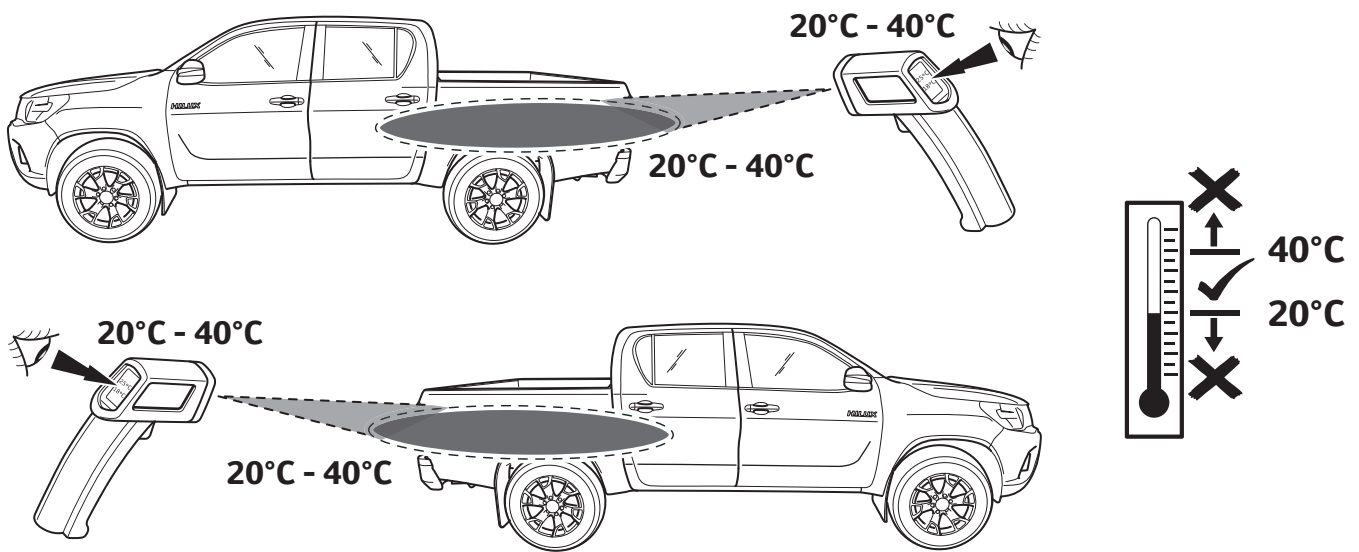


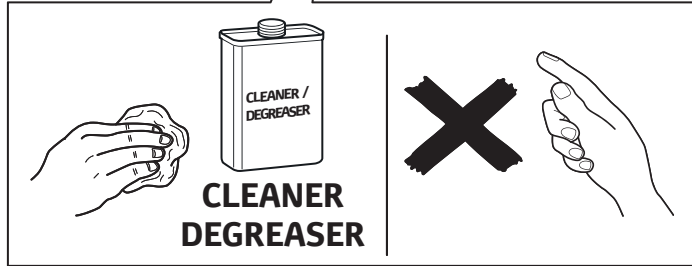
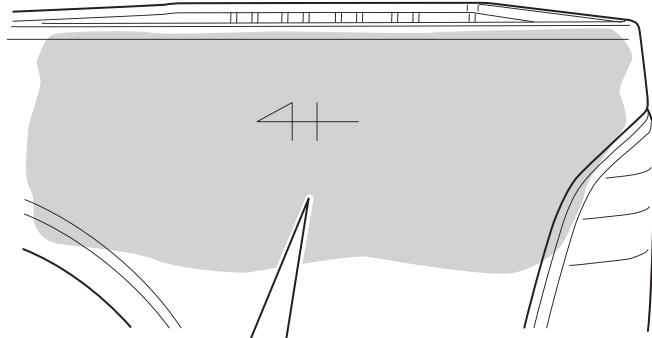
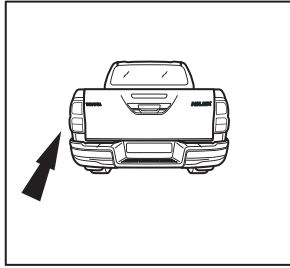


Material Safety Data Sheet

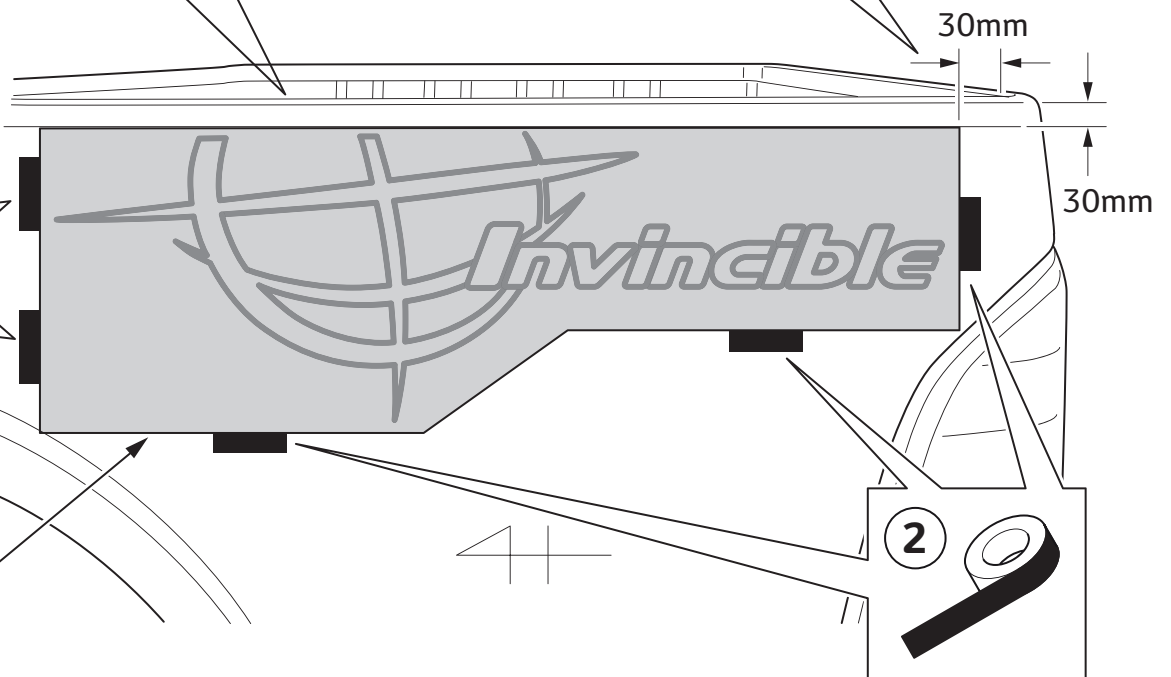
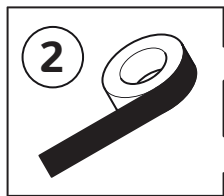
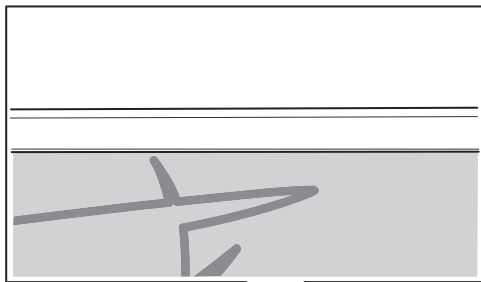
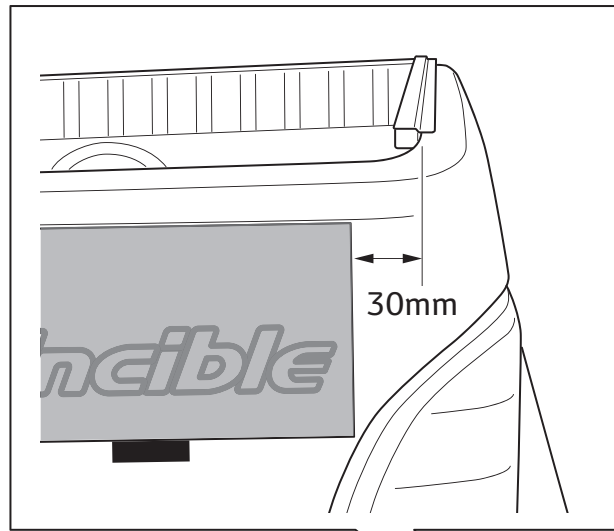
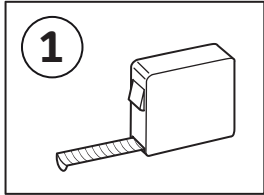


Technical Data Sheet

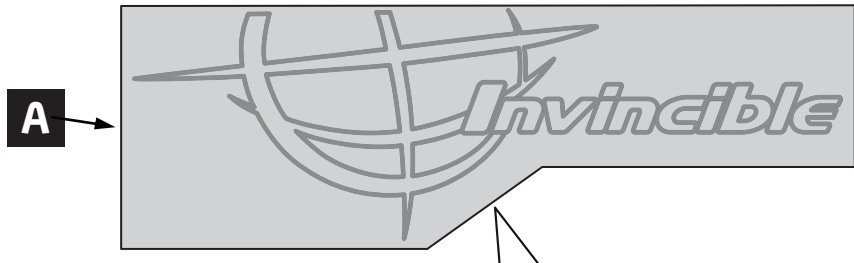




1

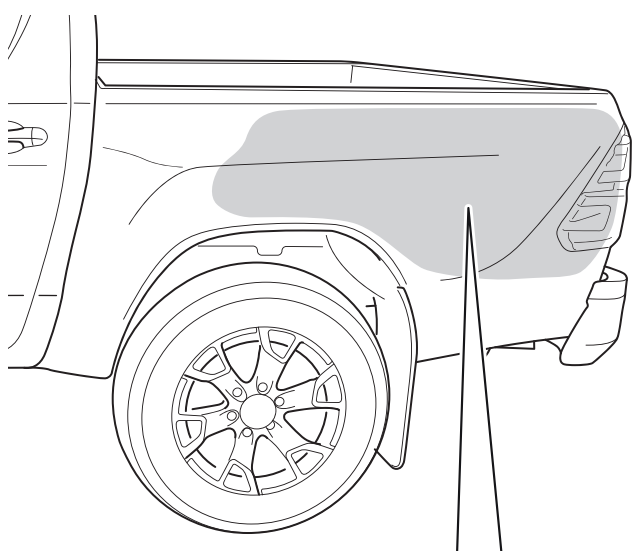


2



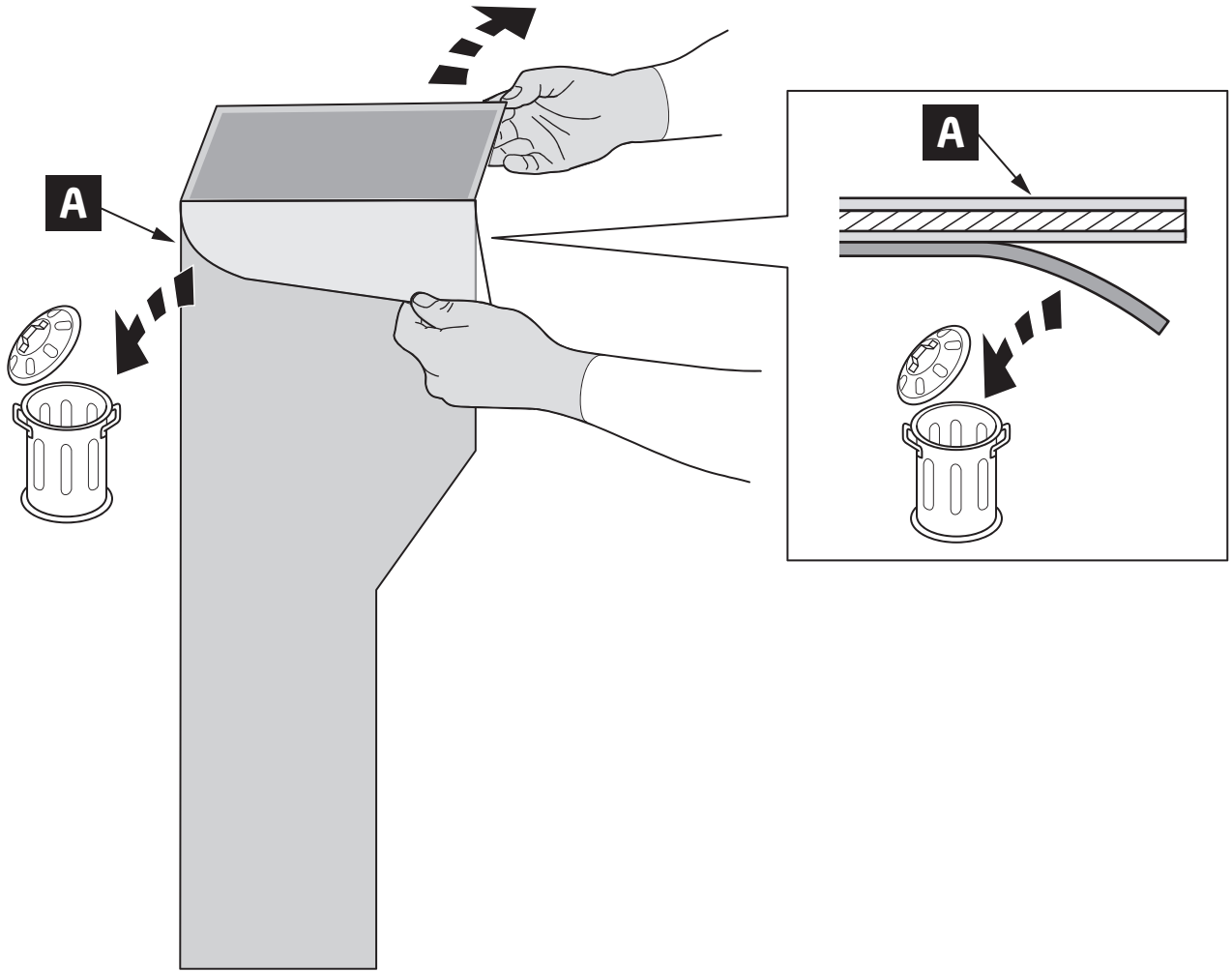
<p>1</p> <p>? °C</p>	<p>< 20°C → 2</p> <p>20°C < 40°C → 4</p>	<p>2</p> <p>+ °C</p>
<p>3</p> <p>? °C</p>	<p>20°C < 40°C → 4</p>	<p>INFO</p> <p>3 → 11</p>

3

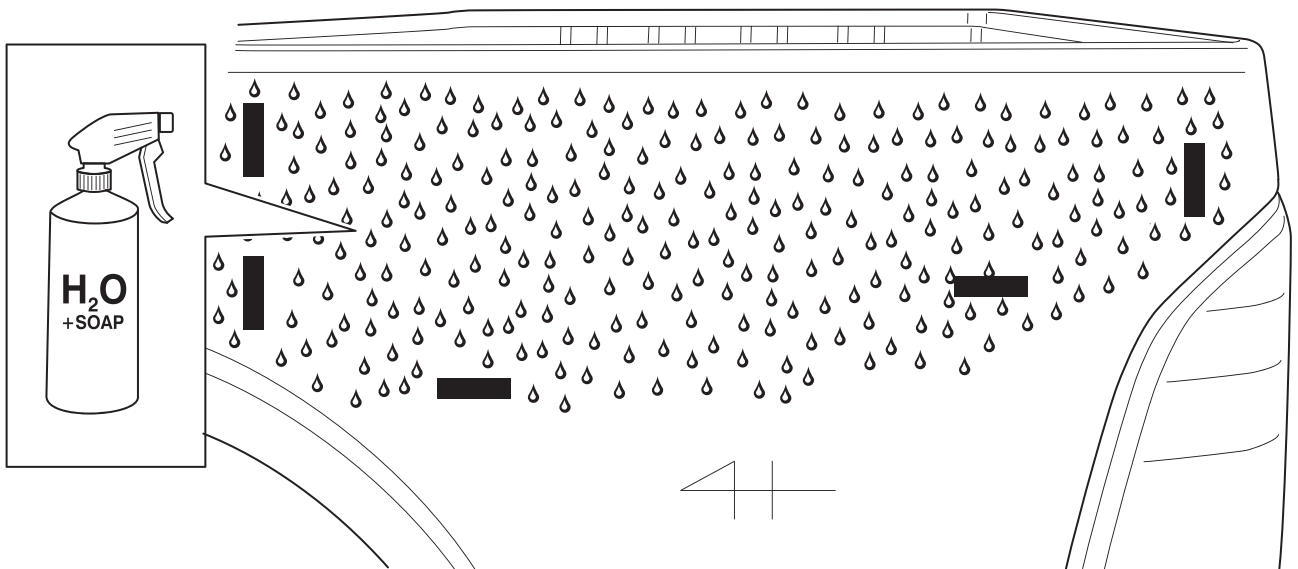


<p>1</p> <p>? °C</p>	<p>< 20°C → 2</p> <p>20°C < 40°C → 5</p>	<p>2</p> <p>+ °C</p>
<p>3</p> <p>? °C</p>	<p>20°C < 40°C → 5</p>	<p>INFO</p> <p>4 → 11</p>

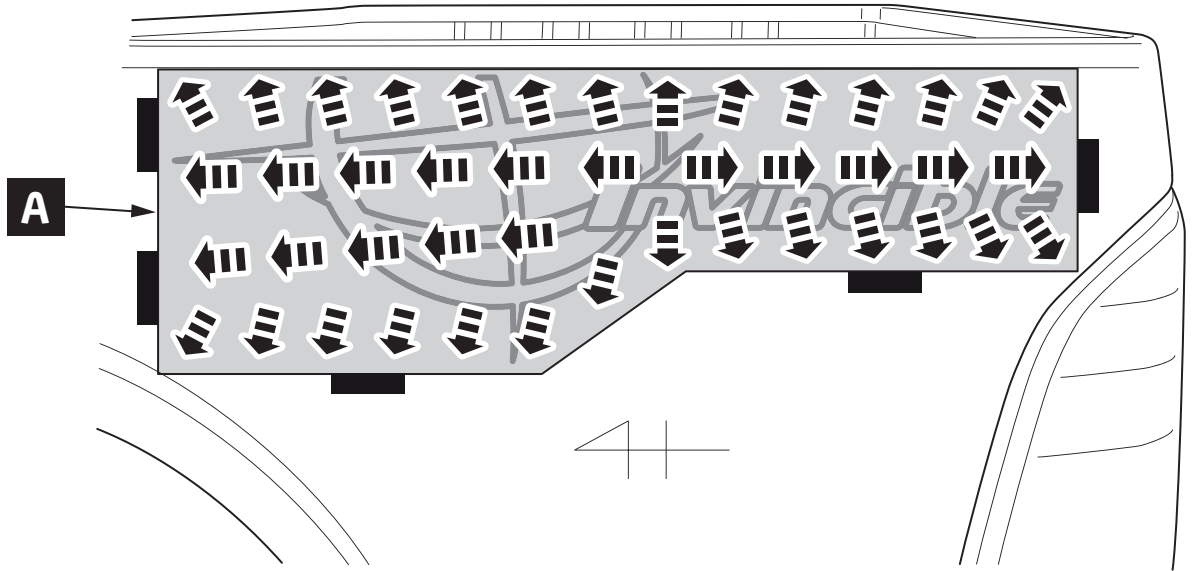
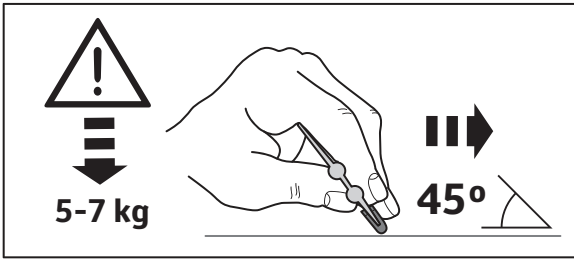
4



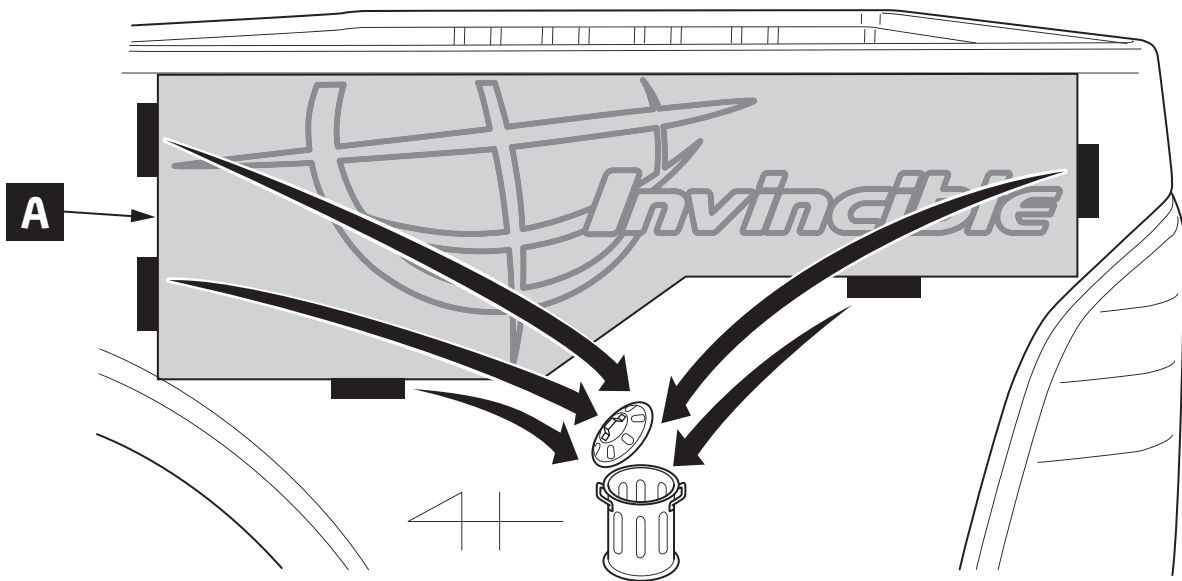
5



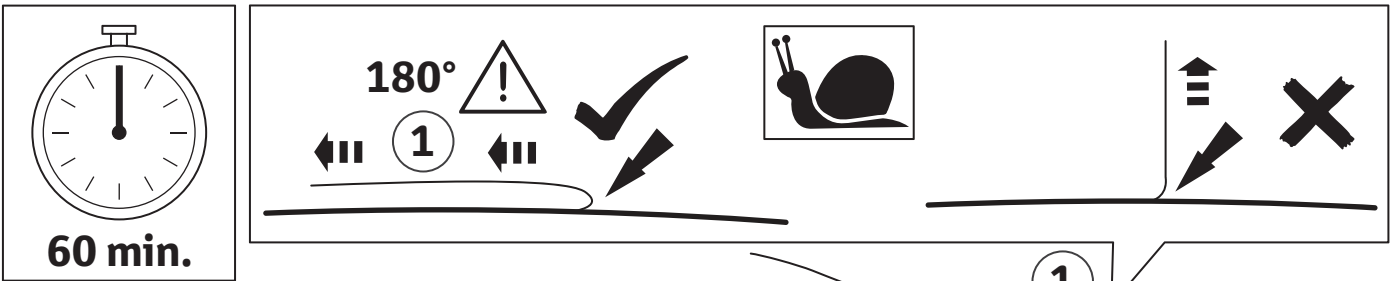
6



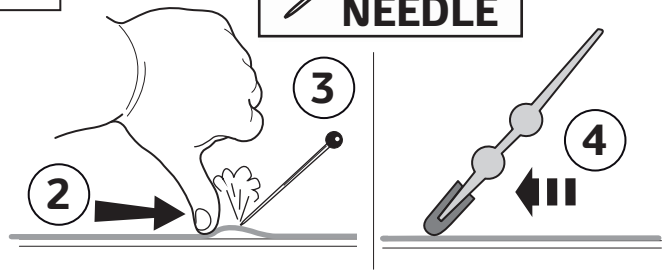
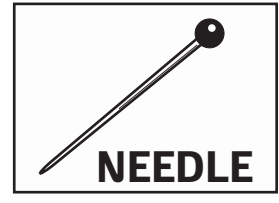
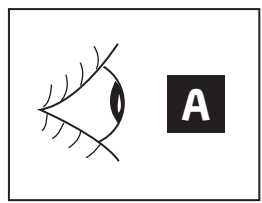
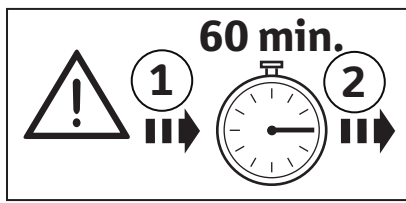
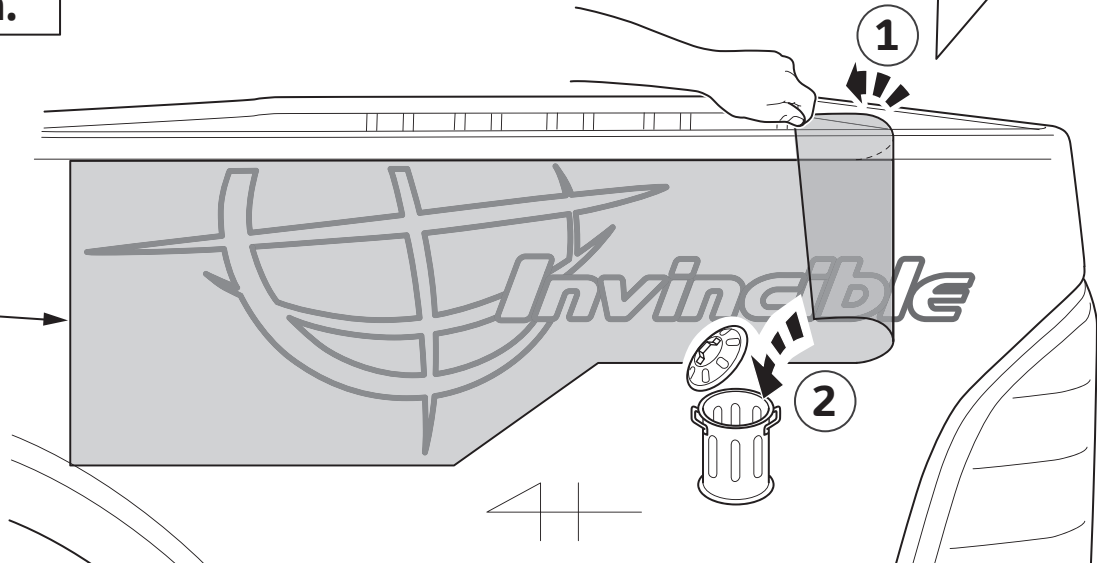
7



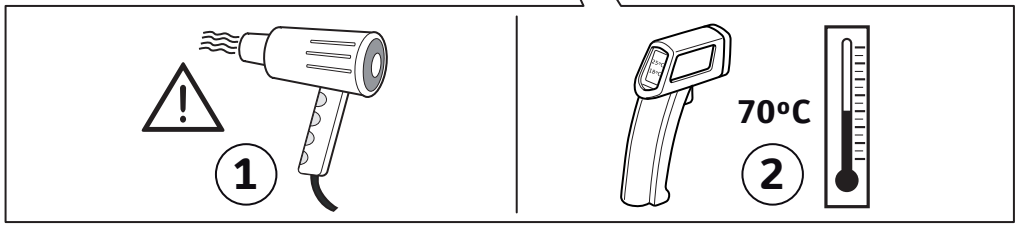
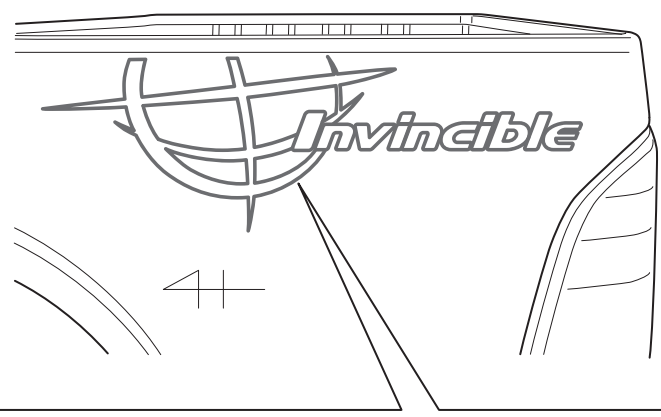
8



9



10



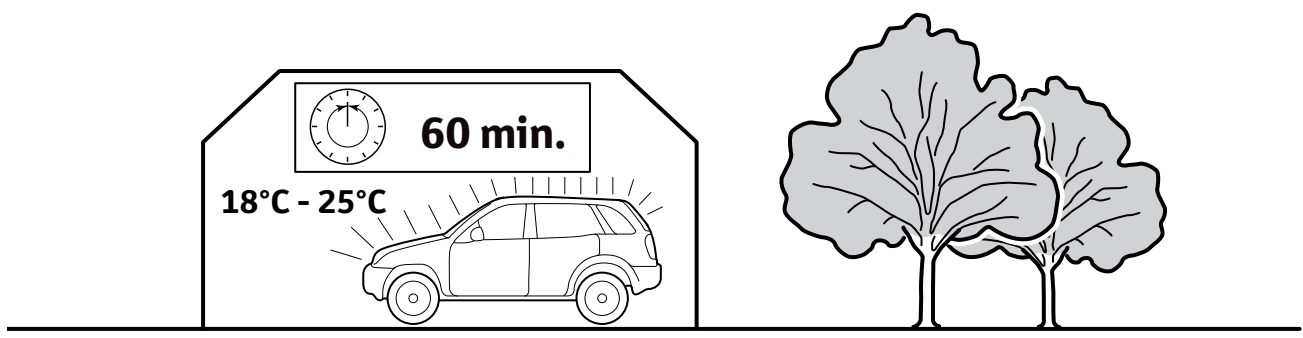
11

Fig.1 - Fig.11

Fig.1 - Fig.11

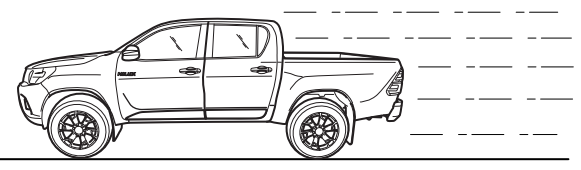
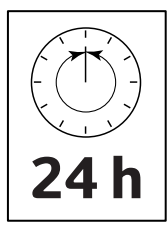
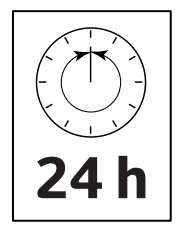
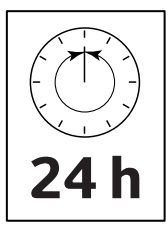
RHS = LHS
C D A B

12

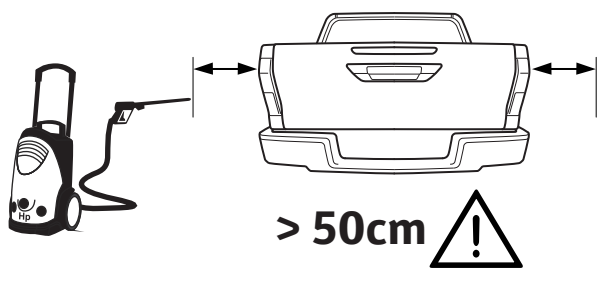
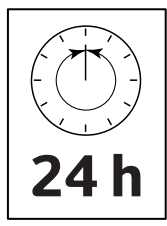
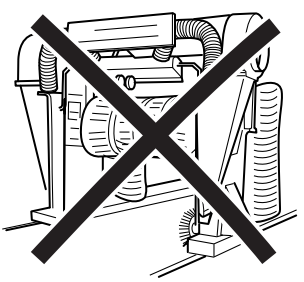


12

INFO



Max. 90 Km/h



CHECK SHEET



TOYOTA

Model / Year

Hilux

As from 2015/05

Decoration set


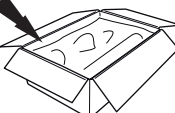
"Invincible"

VIN n°


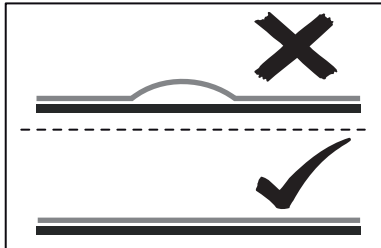
□ □ □ □ □ □ □ □ □ □ □ □ □ □ □ □ □ □

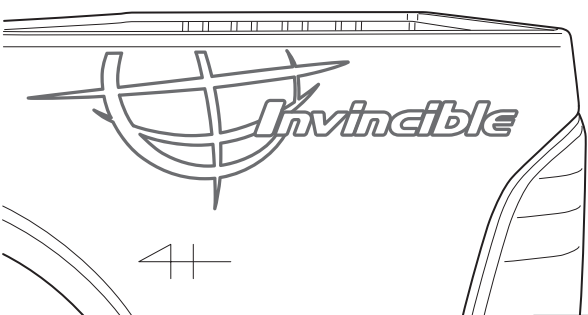
ALWAYS A
BETTER WAY

DURING INSTALLATION


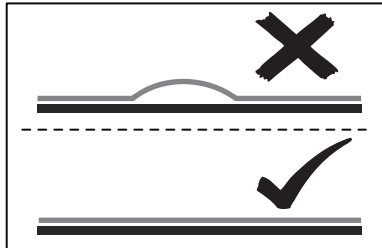
1  **P/N = OK** 

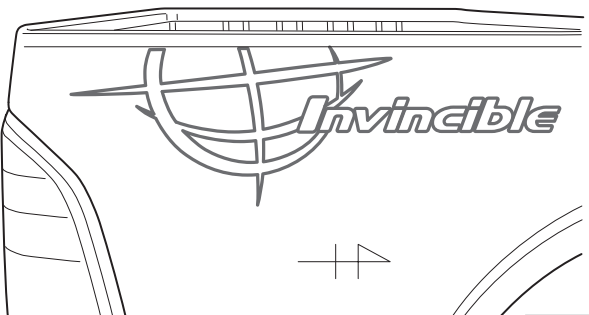
AFTER INSTALLATION

 **= OK** 


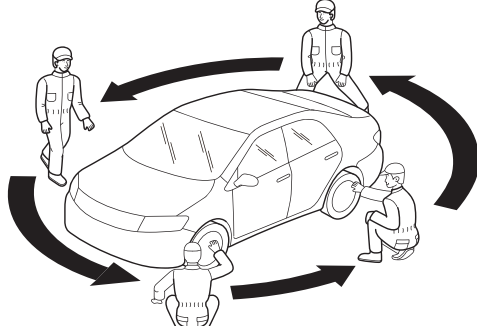


1

 **= OK** 



2

 **= OK** 

3

Installation Date:

.. / .. / ..

Technician Name & Signature:

Stamp: