



**TOYOTA**

ALWAYS A  
**BETTER WAY**

# Prius

## Front & rear set mudflaps

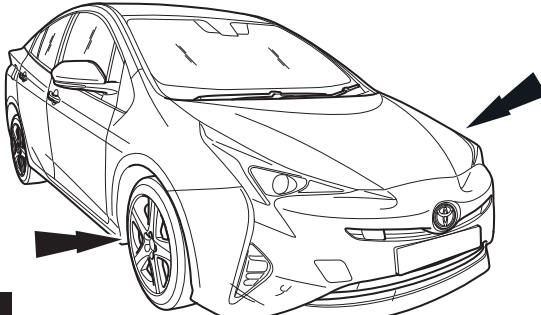
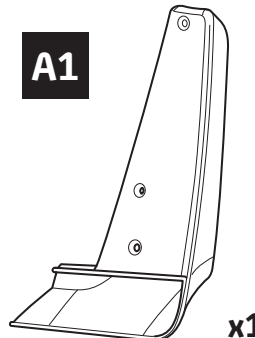
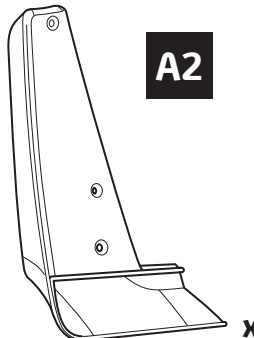
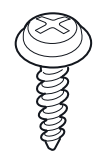
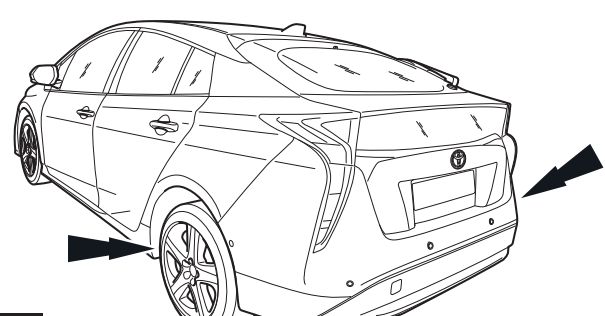
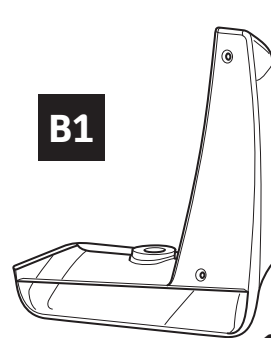
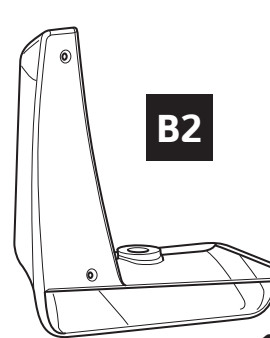
Installation Instructions



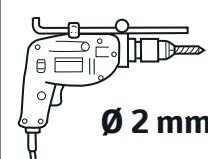

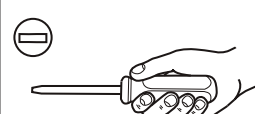
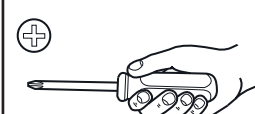
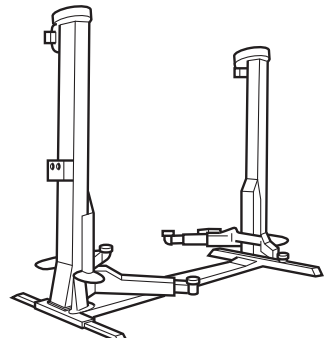
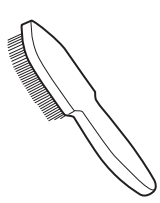
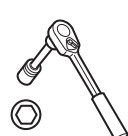

Model year:	2018/12	
Vehicle code:	ZVW5**-AHEBW	
Part number:	PW389-47000	Front set mudflap
	PW389-47005	Rear set mudflap

Manual reference number: AIM 004 418-1

# Revision record

Rev. No.	Date	Page	Step	Remarks
①	24.04.2019	2-7	Tools, Steps, CS	Wheels removal deleted

 <p><b>A</b> PW389-47000</p>	 <p><b>A1</b> x1</p>	 <p><b>A2</b> x1</p>	
 <p><b>B</b> PW389-47005</p>	 <p><b>B1</b> x1</p>	 <p><b>B2</b> x1</p>	<p><b>C</b> x6</p>

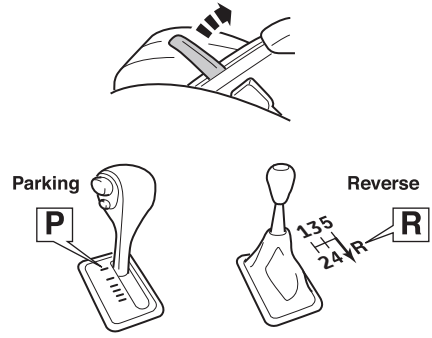
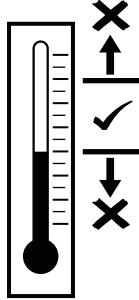
		 <p>Ø 2 mm</p>			
		 <p>10mm</p>	 <p>AIM 003 516-*</p>		

**INFO**

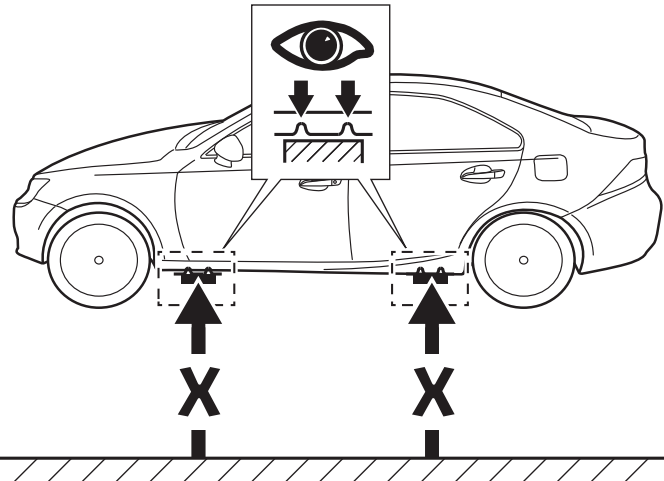


**Material Safety Data Sheet**

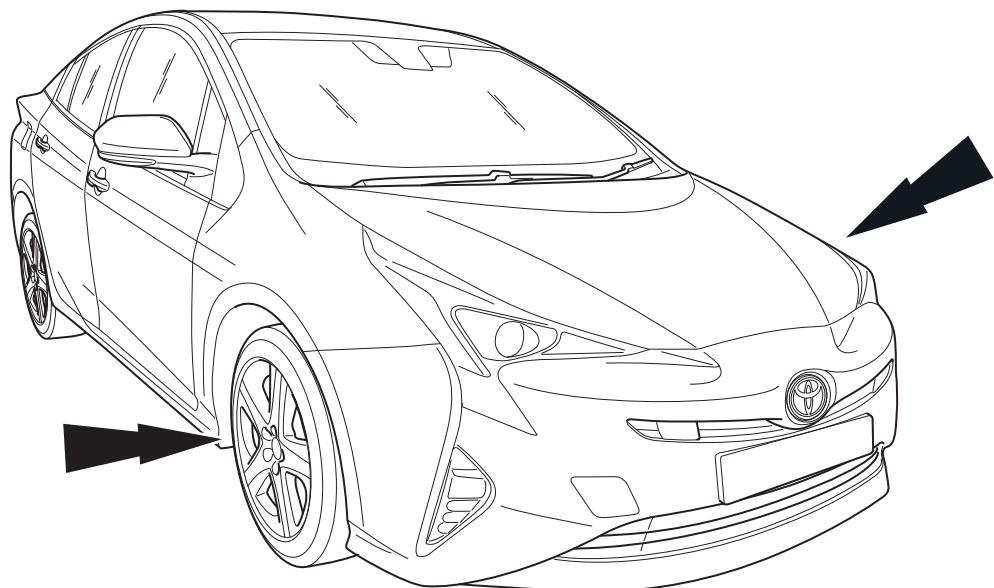
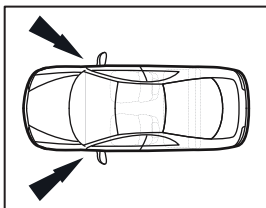
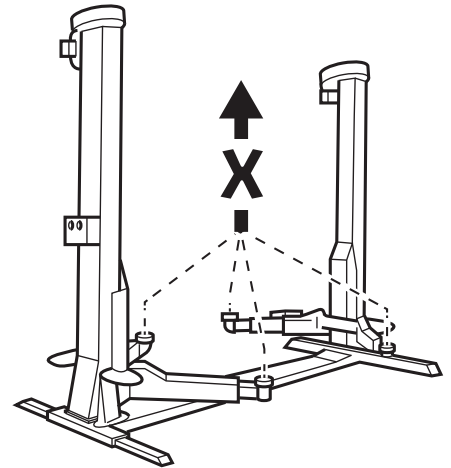
40°C  
18°C



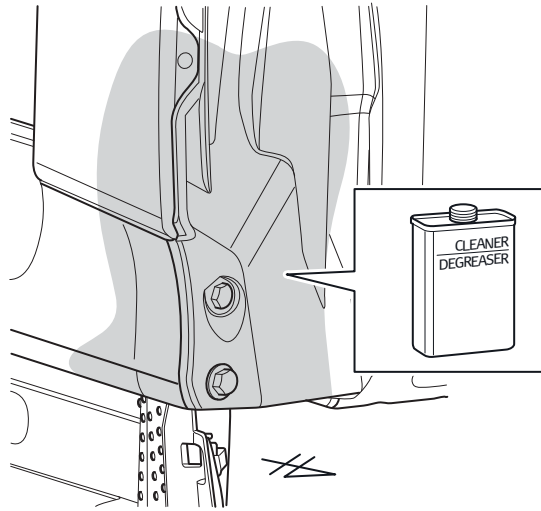
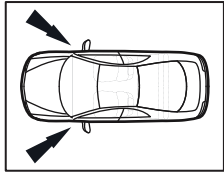
**1**



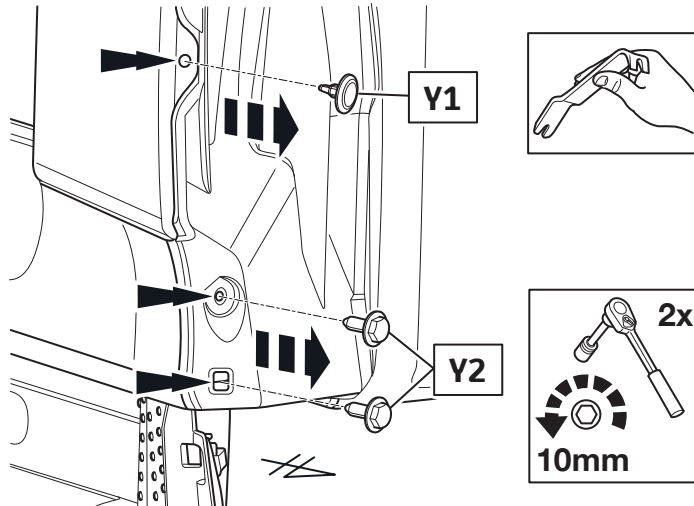
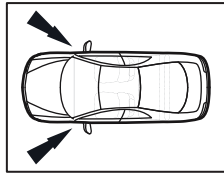
**2**



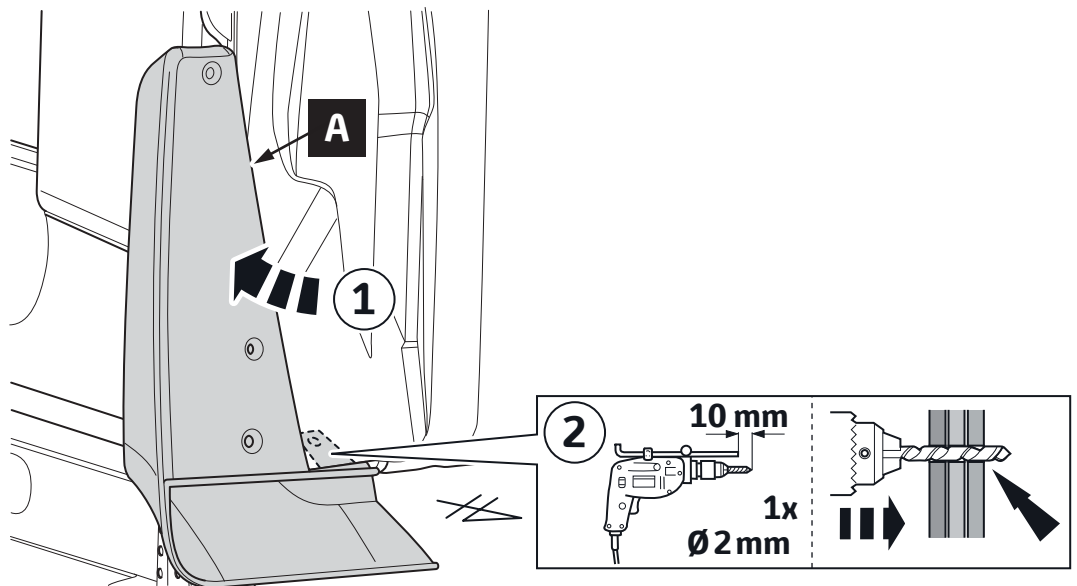
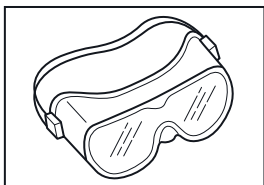
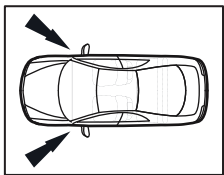
**3**



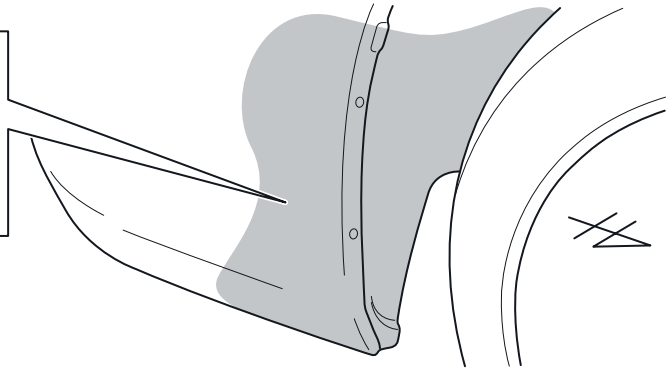
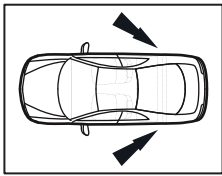
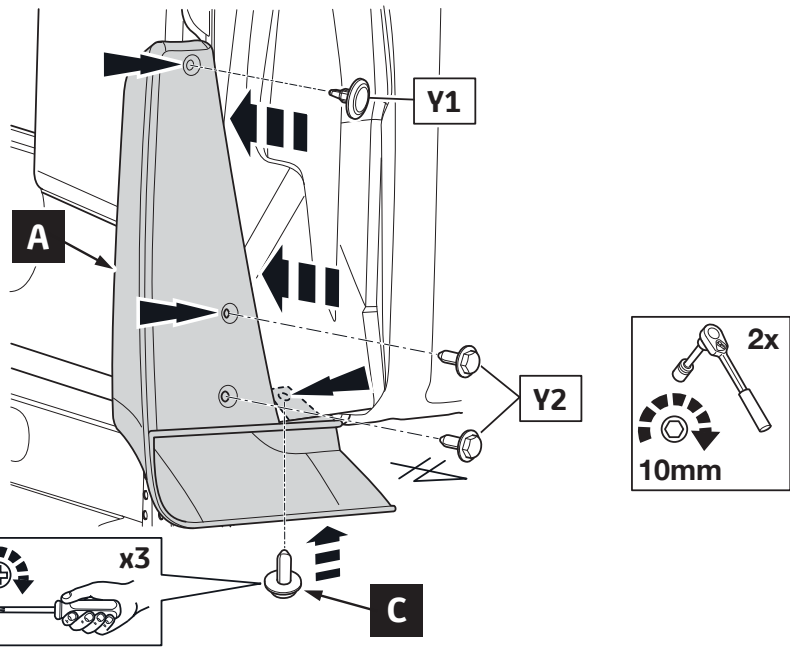
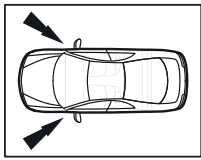
4



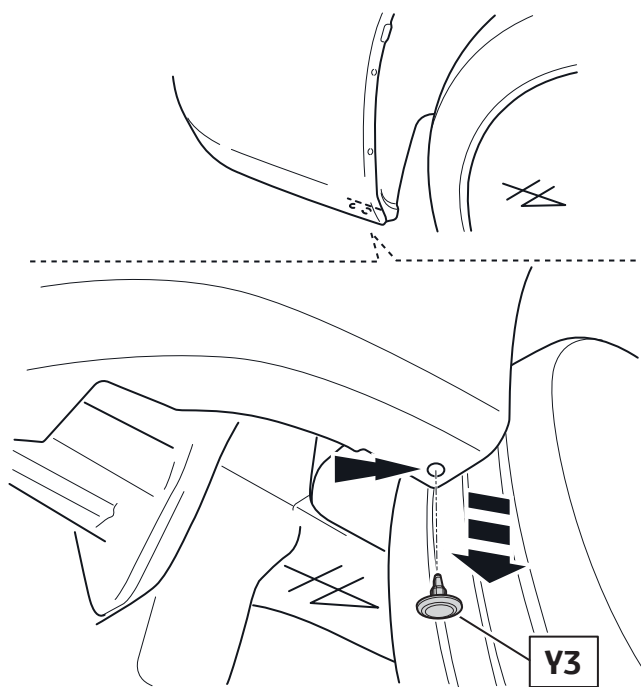
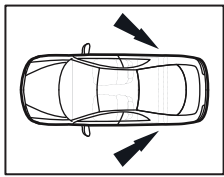
5

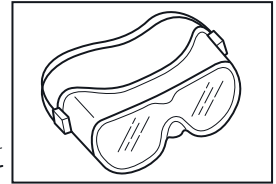
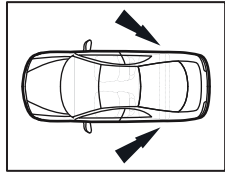


6

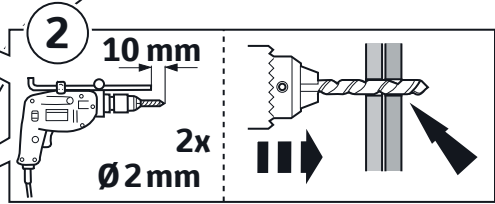


**8**



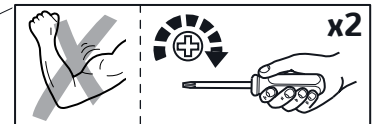
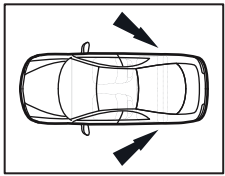


**B**



**1**

**10**

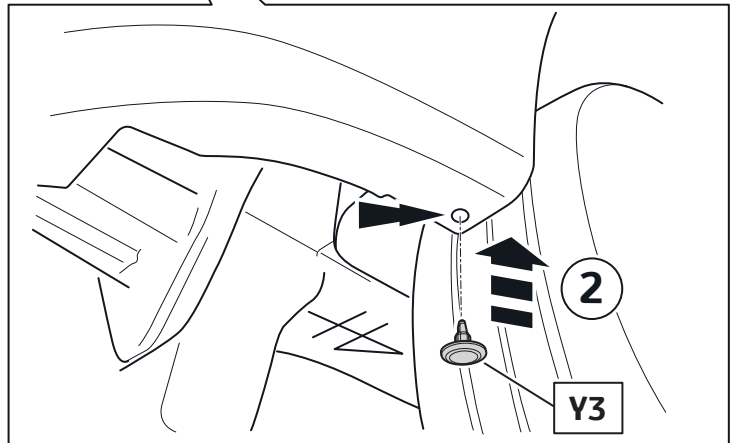


**B**

**C**

**1**

**1**



**2**

**Y3**

**11**



**TOYOTA**

ALWAYS A  
BETTER WAY

Model / Year

Prius 2018/12

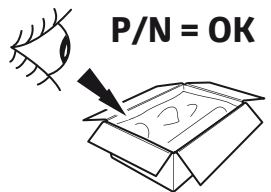
Front & rear set  
mudlaps

VIN n°

<input type="text"/>	<input type="text"/>	<input type="text"/>	<input type="text"/>	<input type="text"/>	<input type="text"/>	<input type="text"/>	<input type="text"/>	<input type="text"/>	<input type="text"/>	<input type="text"/>	<input type="text"/>	<input type="text"/>	<input type="text"/>	<input type="text"/>	<input type="text"/>
----------------------	----------------------	----------------------	----------------------	----------------------	----------------------	----------------------	----------------------	----------------------	----------------------	----------------------	----------------------	----------------------	----------------------	----------------------	----------------------

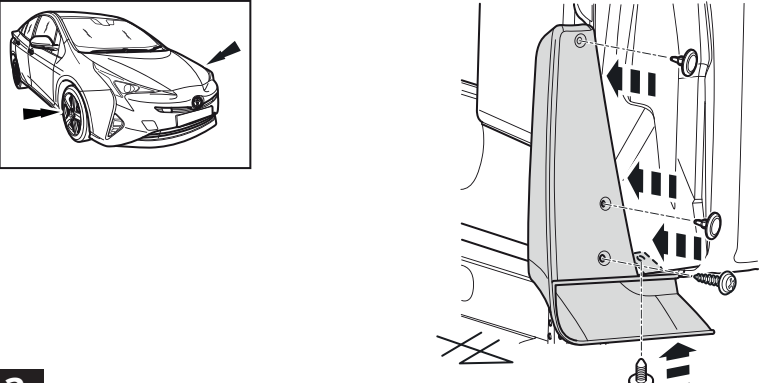
## DURING INSTALLATION

**1**



P/N = OK

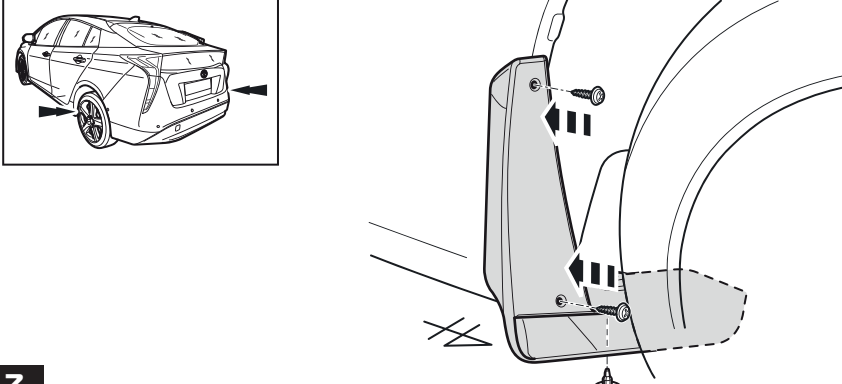
**2**



LHS

RHS

**3**



LHS

RHS

Installation Date:

. . / . . / . . . .

Technician Name & Signature:

Stamp:

