



TOYOTA

ALWAYS A
BETTER WAY

Corolla (HB)

Rear bumper protection plate, plastic

Installation Instructions

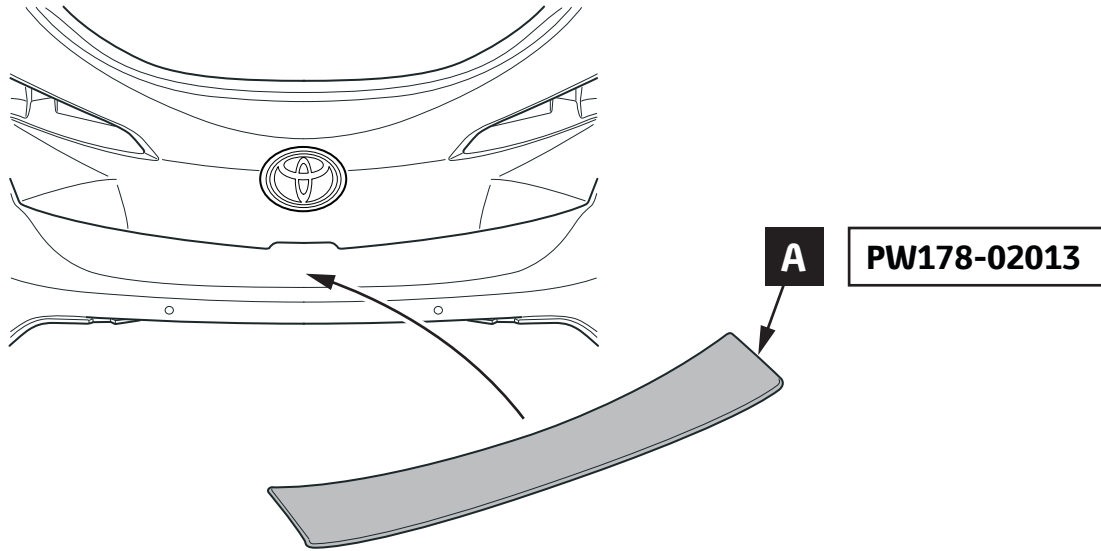
Model year: 2019/01
Vehicle code: **E*1**-DH***W
Part number: PW178-02013

Manual reference number: AIM 004 220-1

Revision record

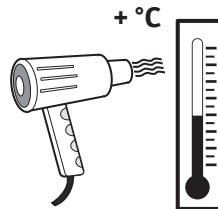
Rev. No.	Date	Page	Picture	Update	New	Deleted steps
1	13.11.2018	4-9, 11	3, 5-7, 9-13, CS	CL bumper, tape location		

PW178-02013

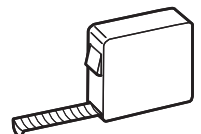
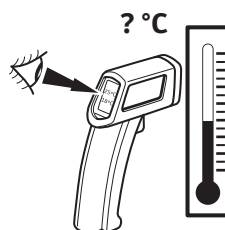
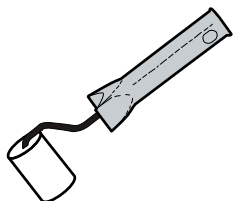


A

1x



AIM 003-516-*



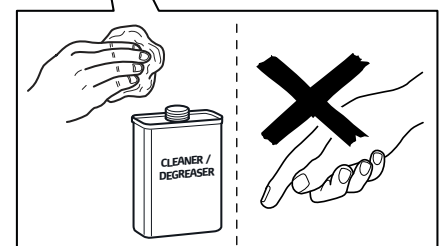
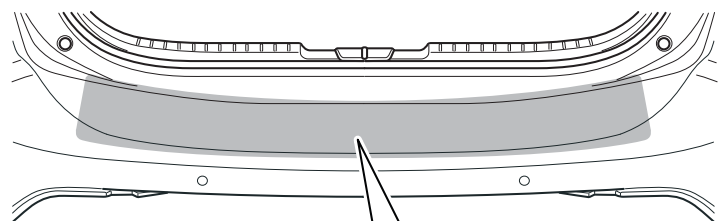
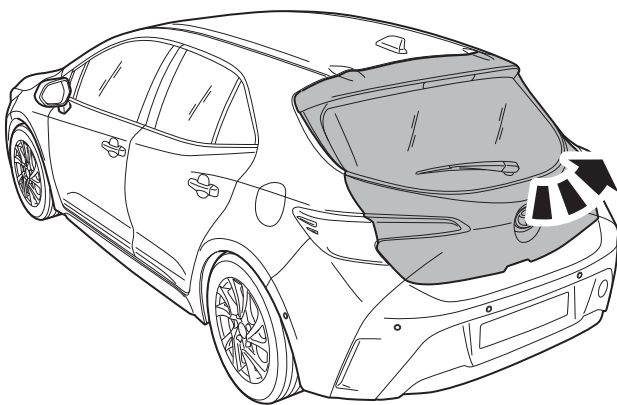
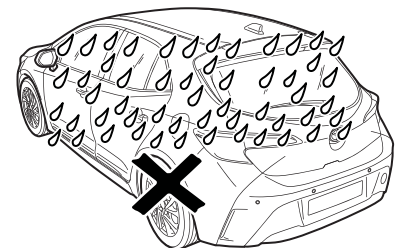
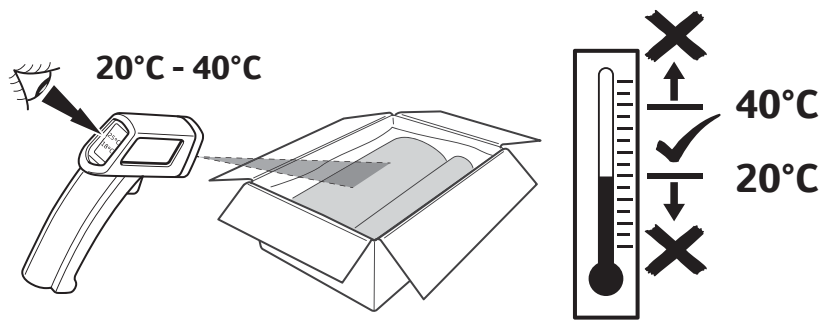
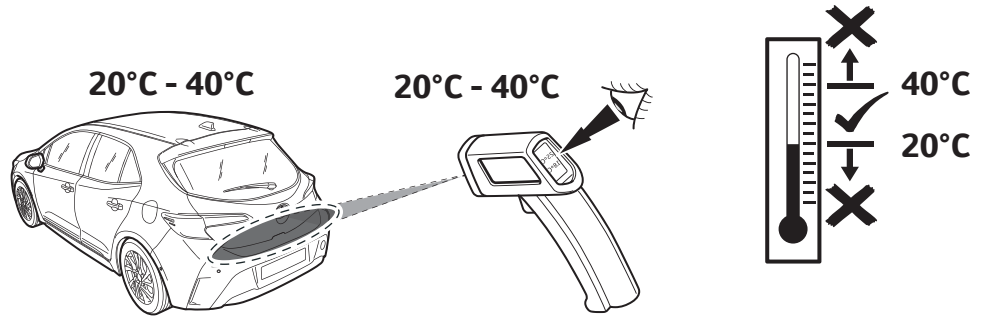
INFO



Material **S**afety **D**ata **S**heet

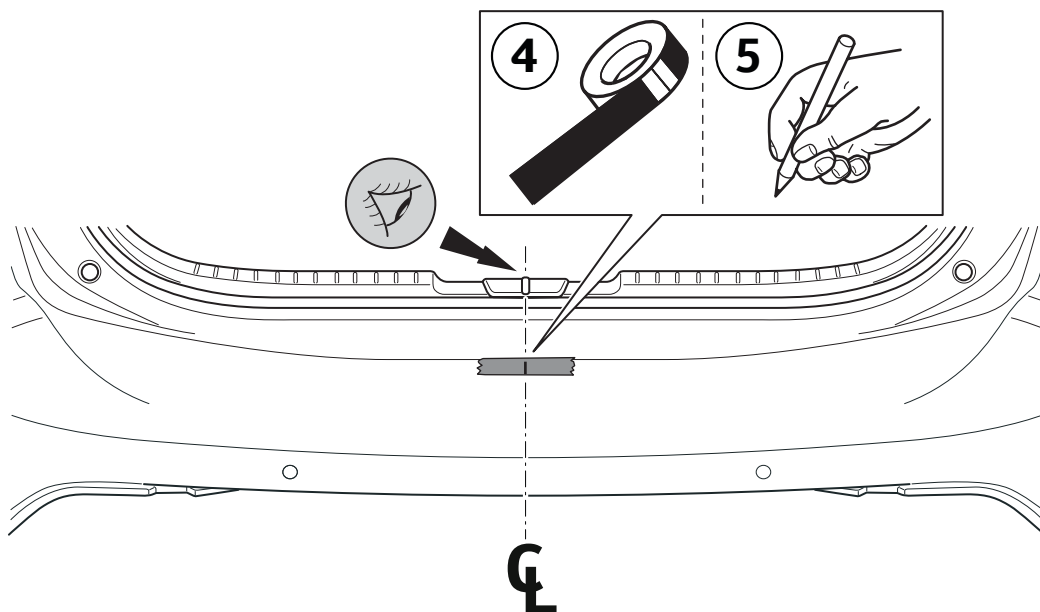
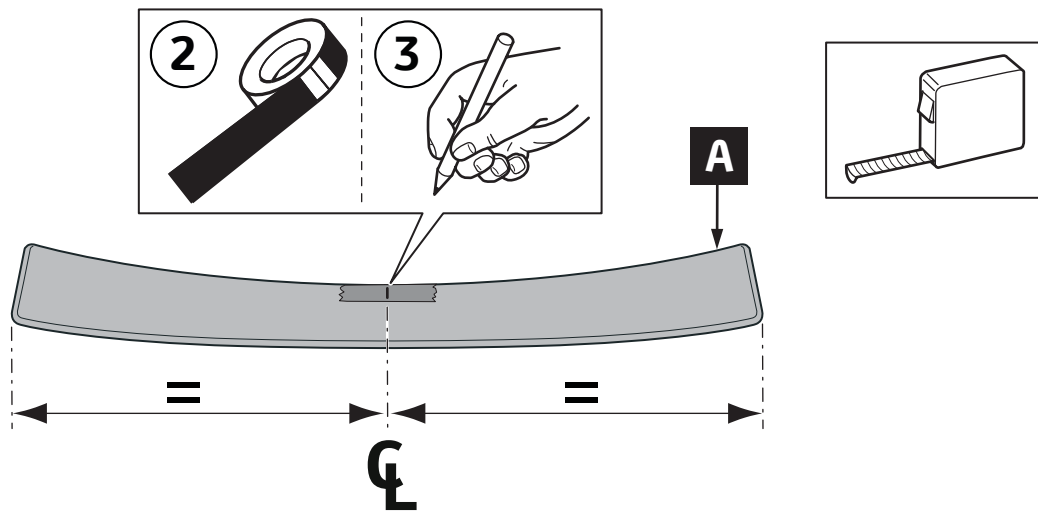
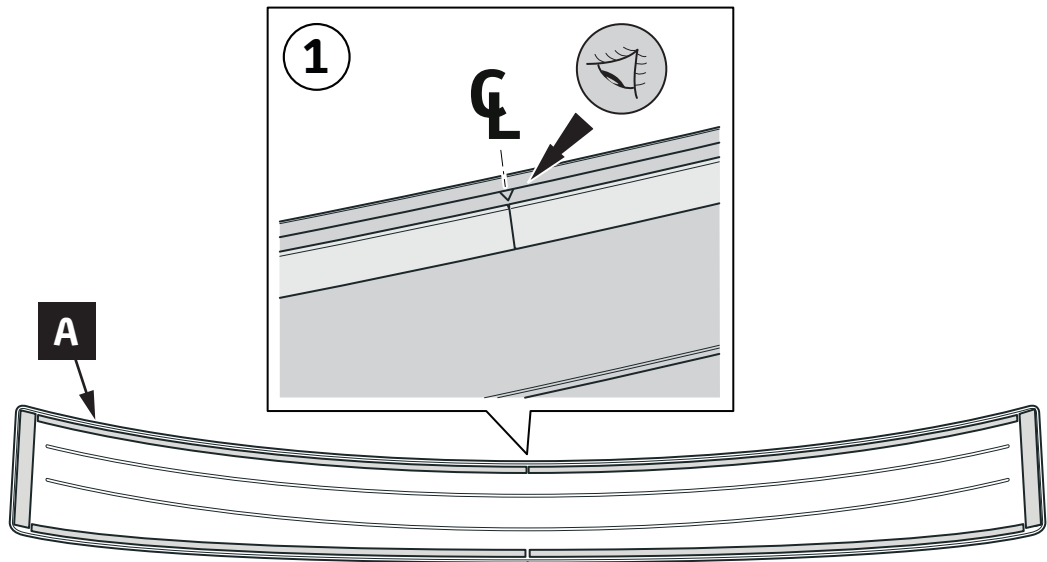


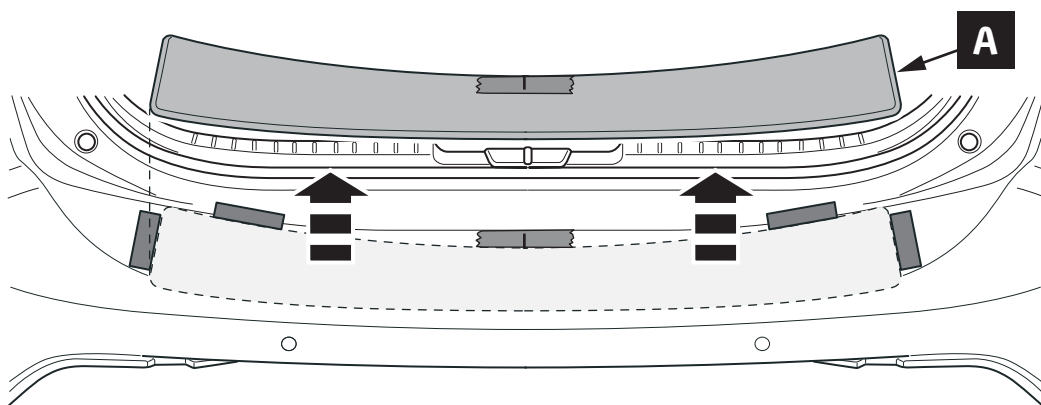
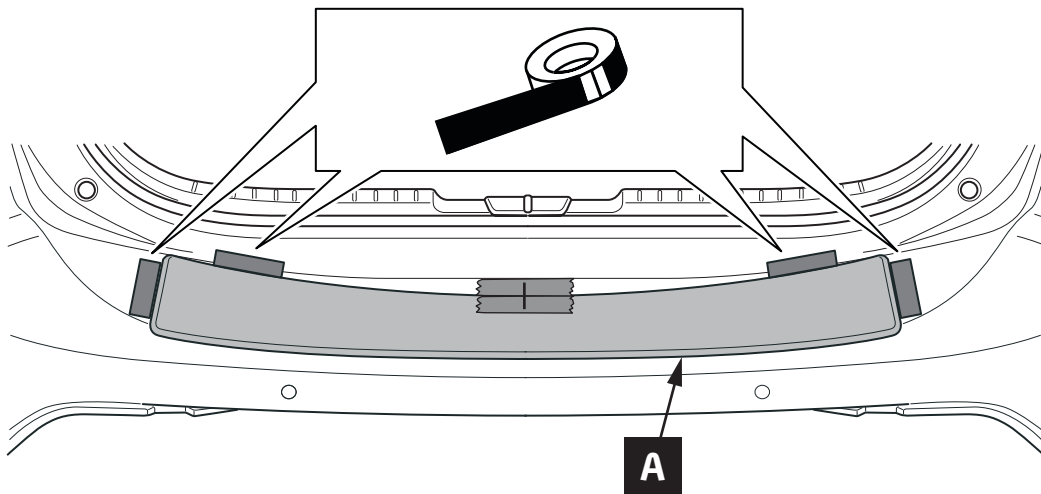
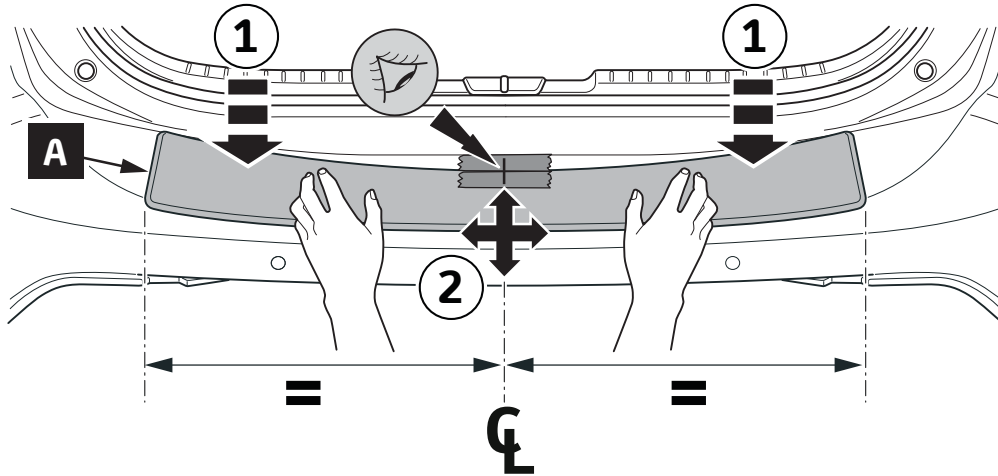
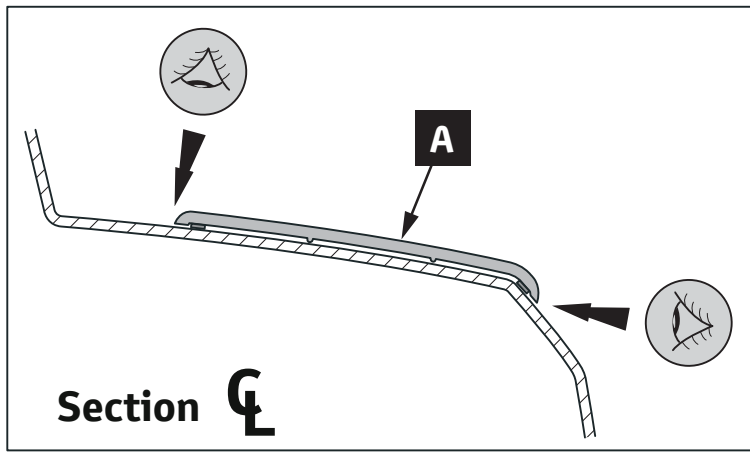
Technical **D**ata **S**heet

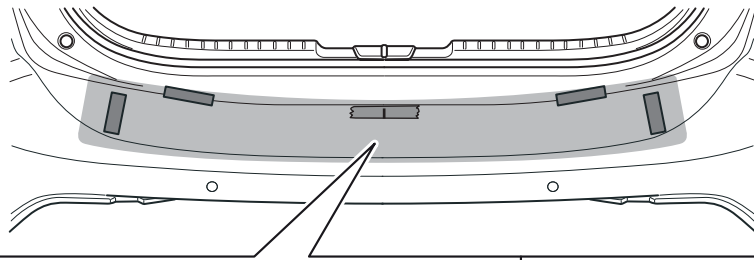


1

2

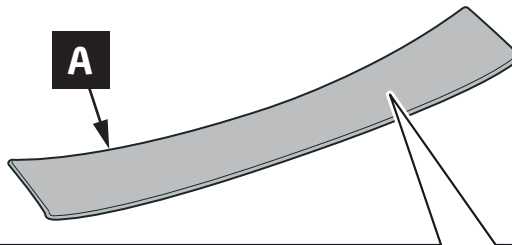






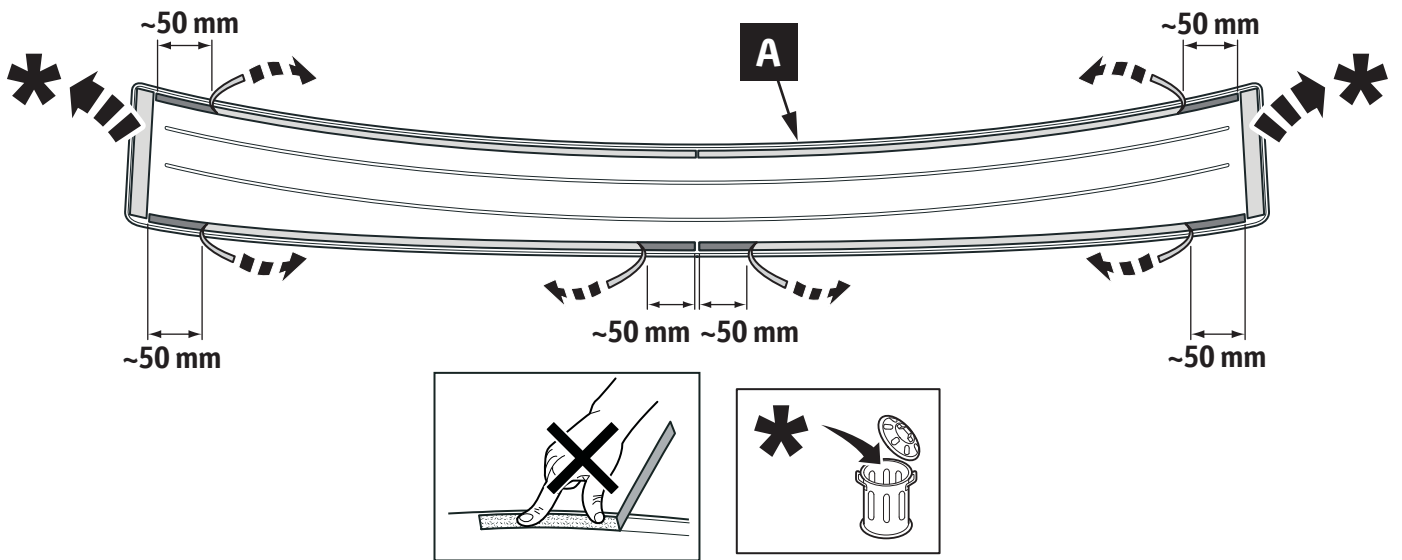
<p>1</p>	<p>< 20°C → 2</p> <p>20°C - 40°C → 8</p>	<p>2</p>
<p>3</p>	<p>20°C - 40°C → 8</p>	<p>INFO</p>

7

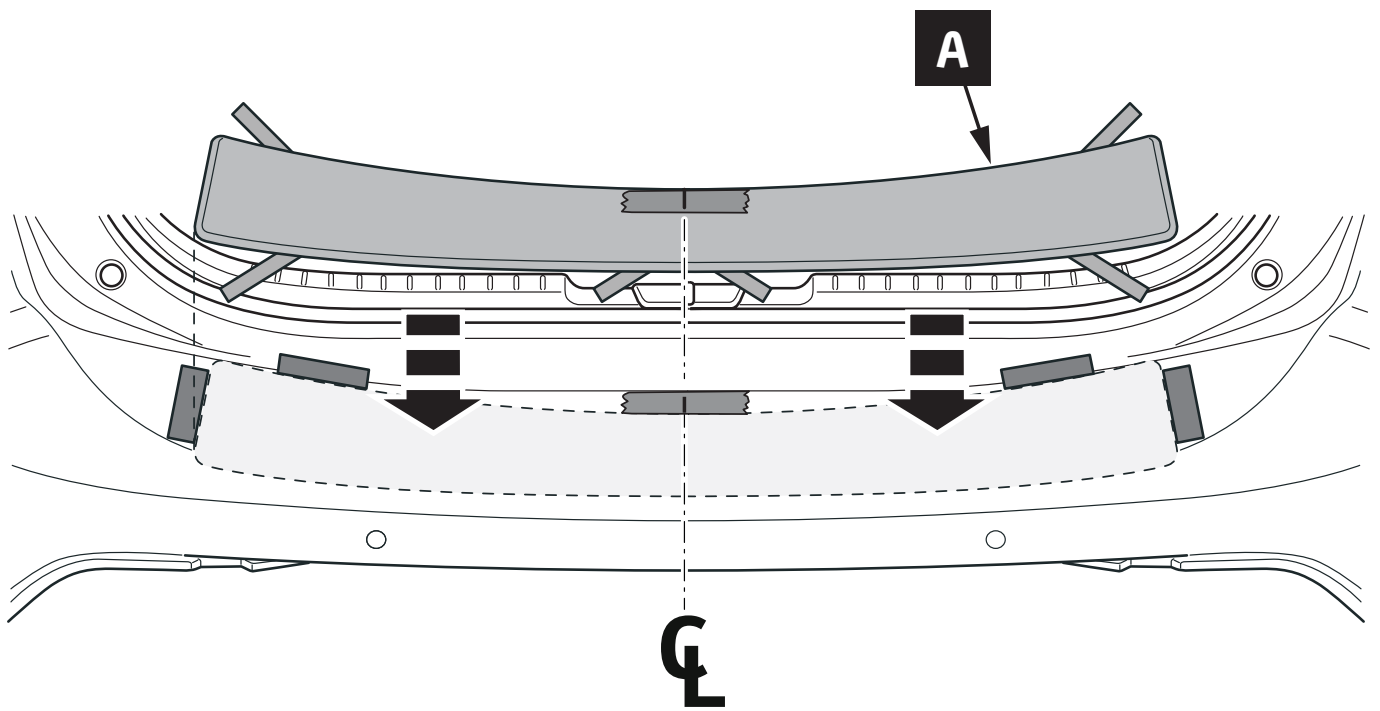


<p>1</p>	<p>< 20°C → 2</p> <p>20°C - 40°C → 9</p>	<p>2</p>
<p>3</p>	<p>20°C - 40°C → 9</p>	<p>INFO</p>

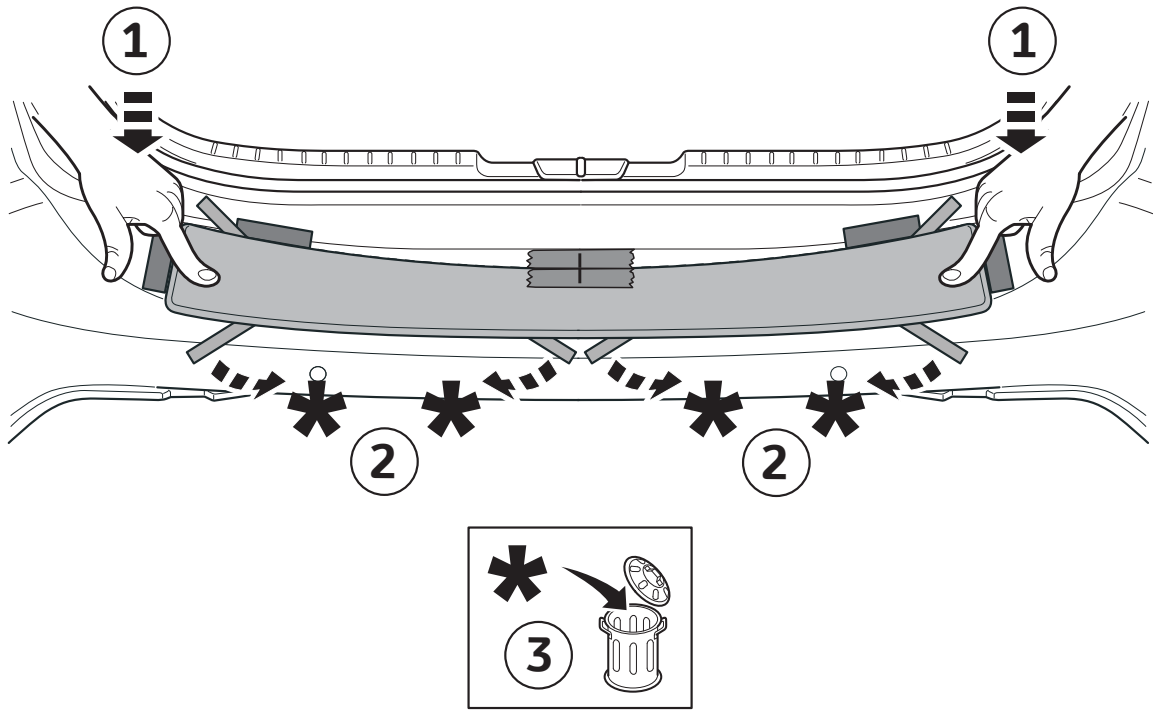
8



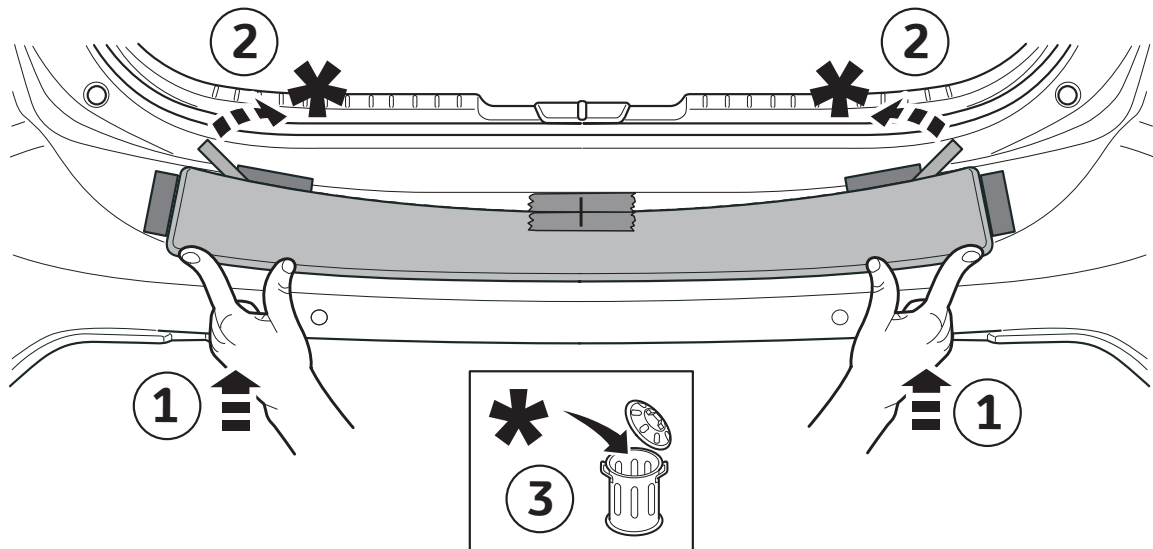
9



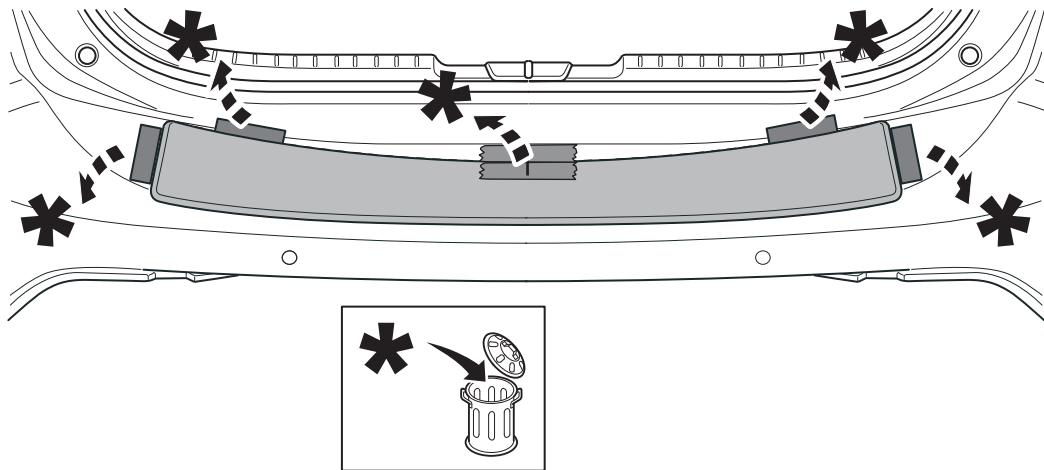
10



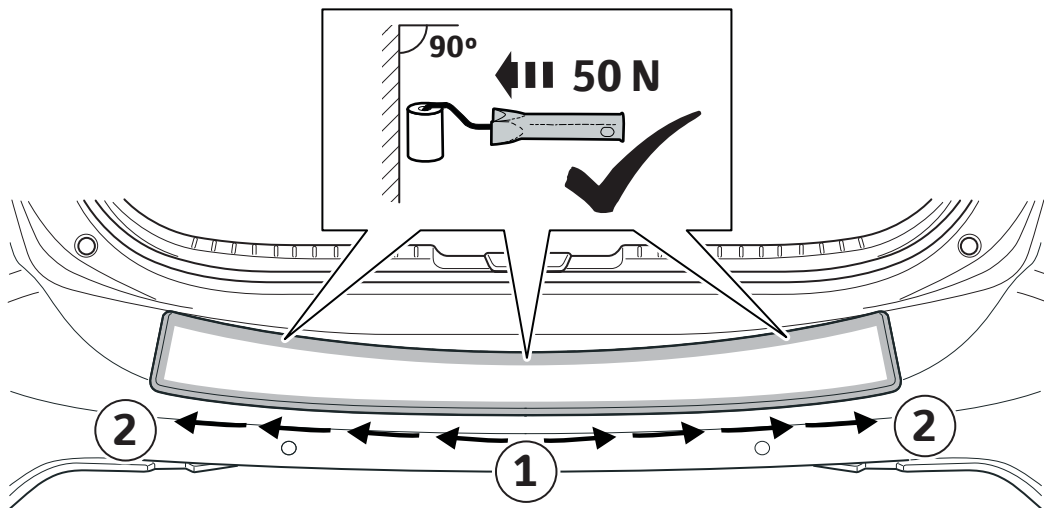
11



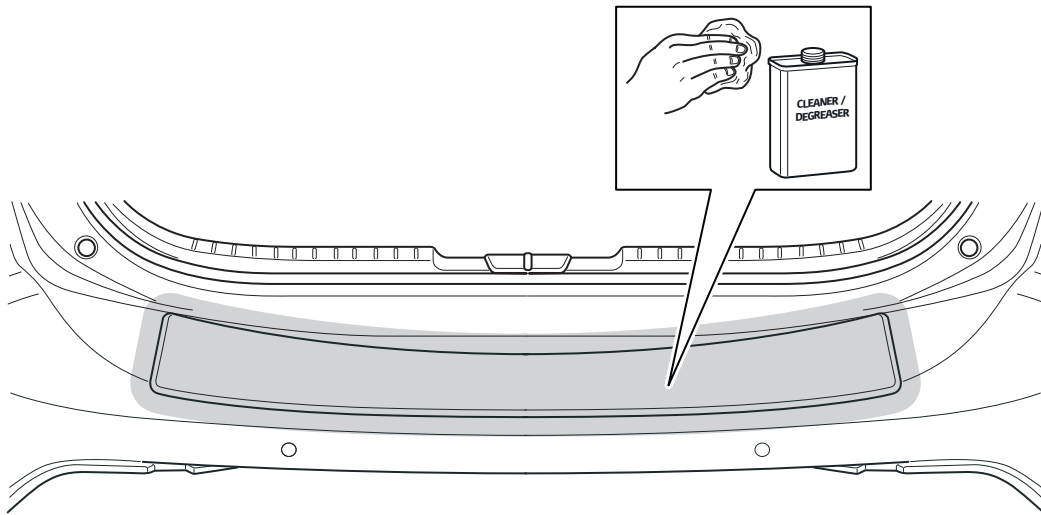
12



13

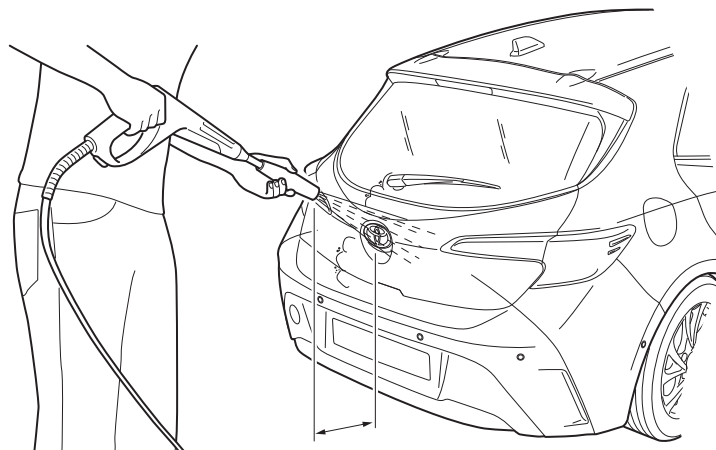
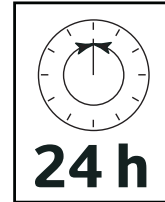
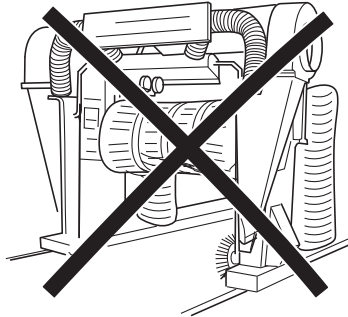
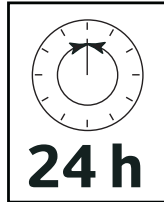
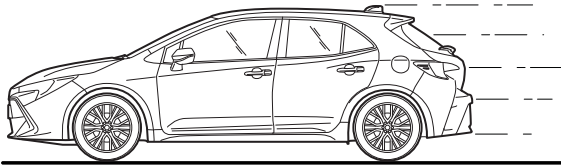
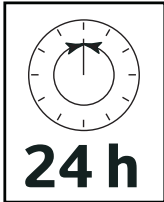


14



15

INFO



Minimum
50cm.

CHECK SHEET



TOYOTA

Model / Year

Corolla (HB)

Rear bumper

2019/01

protection plate, plastic

VIN n°

□ □ □ □ □ □ □ □ □ □ □ □ □ □ □ □ □ □

ALWAYS A BETTER WAY

P/N = OK

□

□ □ □ □

□ □ □ □

□

= OK □

Installation Date:

... / ... / ...

Technician Name & Signature:

Stamp: