



TOYOTA

ALWAYS A
BETTER WAY

Prius

Front & rear set mudflaps

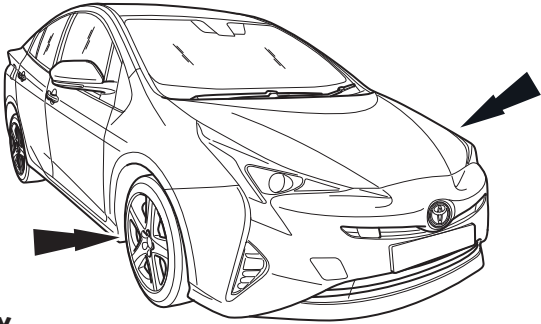
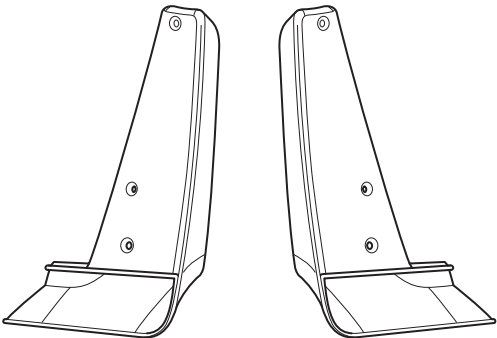
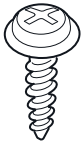
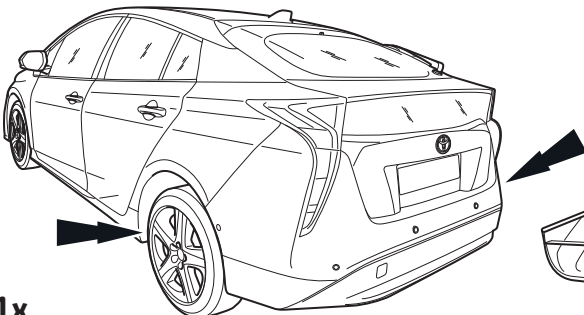
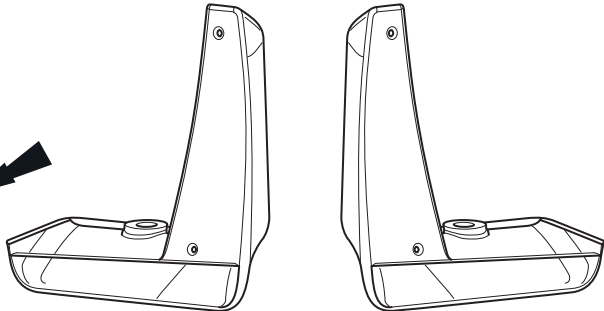
Installation instructions



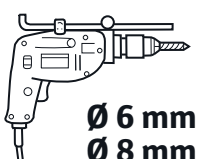

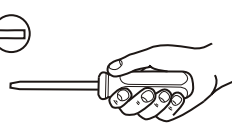
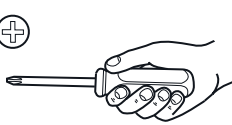
Model year: 2015/11
Vehicle code: ZVW5**-AHX***
Part number: PW389-47000/1

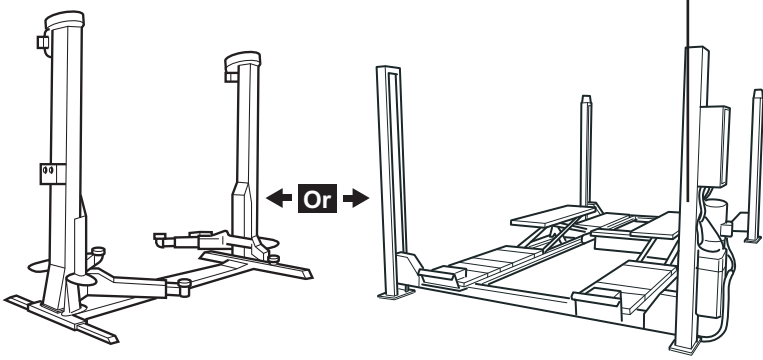
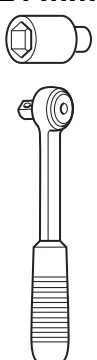




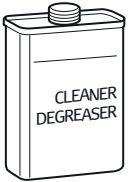
Manual reference number: AIM 003 483 - 0




Revision Record

| Rev. No. | Date | Page | Picture | Update | New | Deleted steps |
|----------|------|------|---------|--------|-----|---------------|
| | | | | | | |
| | | | | | | |
| | | | | | | |
| | | | | | | |
| | | | | | | |
| | | | | | | |
| | | | | | | |
| | | | | | | |
| | | | | | | |
| | | | | | | |

| | | |
|--|--|---|
|  <p>A 1x</p> |  |  <p>C 6x</p> |
|  <p>B 1x</p> |  | |

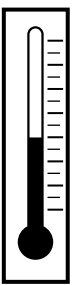



| | | | | | |
|---|---|--|---|--|---|
|  |  |  <p>Ø 6 mm Ø 8 mm</p> |  |  |  |
|---|---|--|---|--|---|




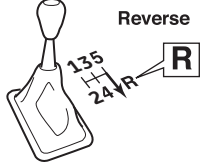
| | | | | |
|---|---|---|--|--|
|  | <p>10 mm 21 mm</p>  |  |  |  <p>Ø10mm</p> |
| | |  |  <p>CLEANER DEGREASER</p> | |

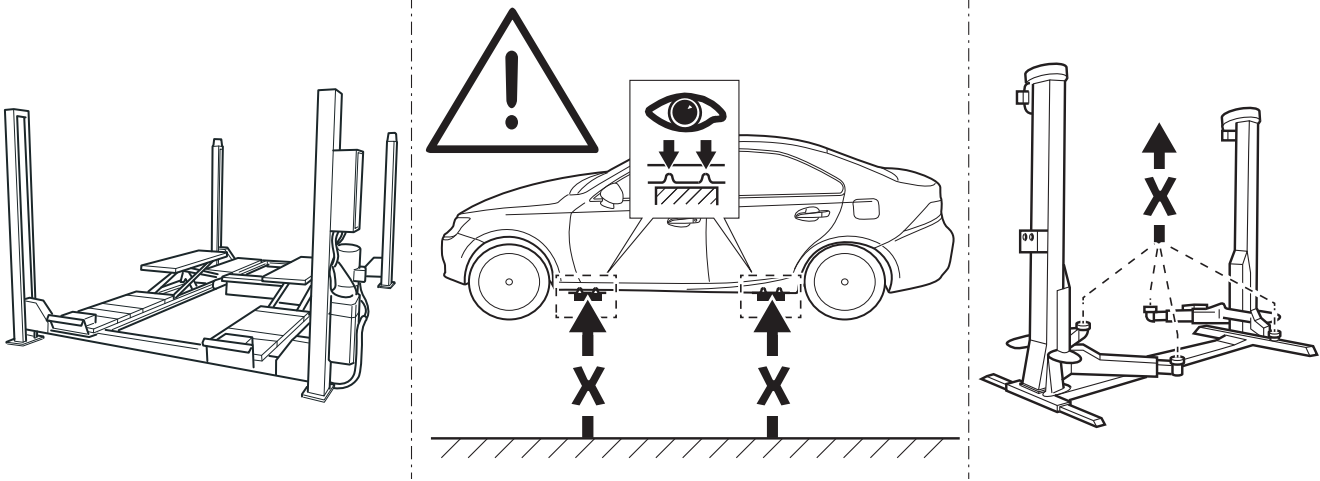

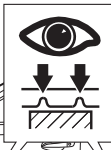
40°C

18°C

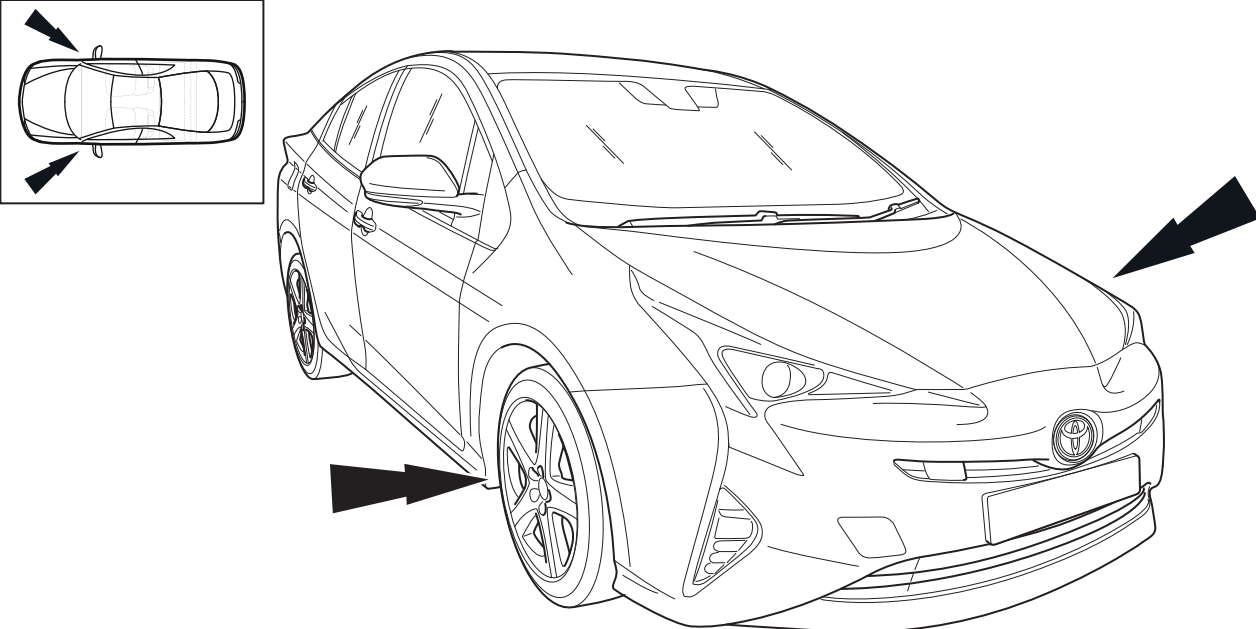





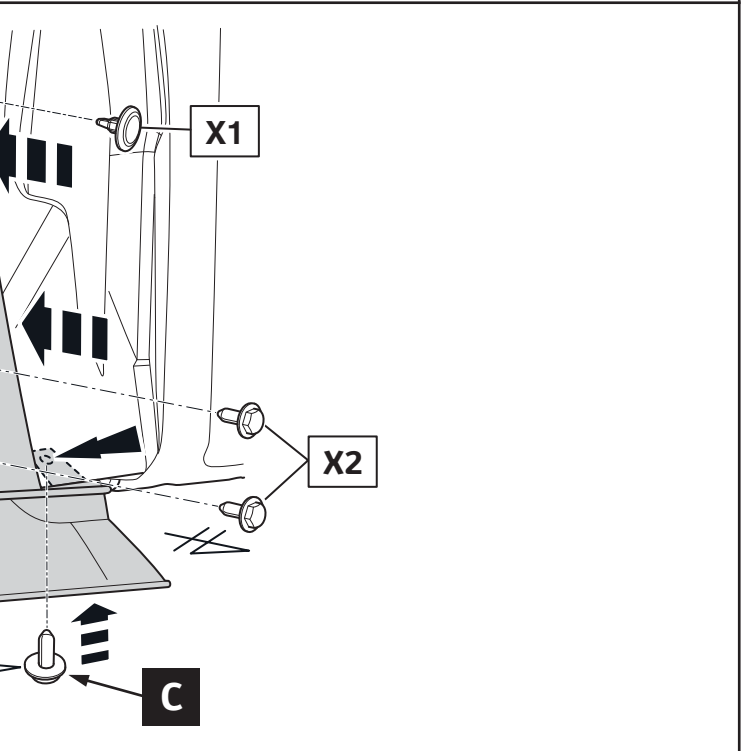
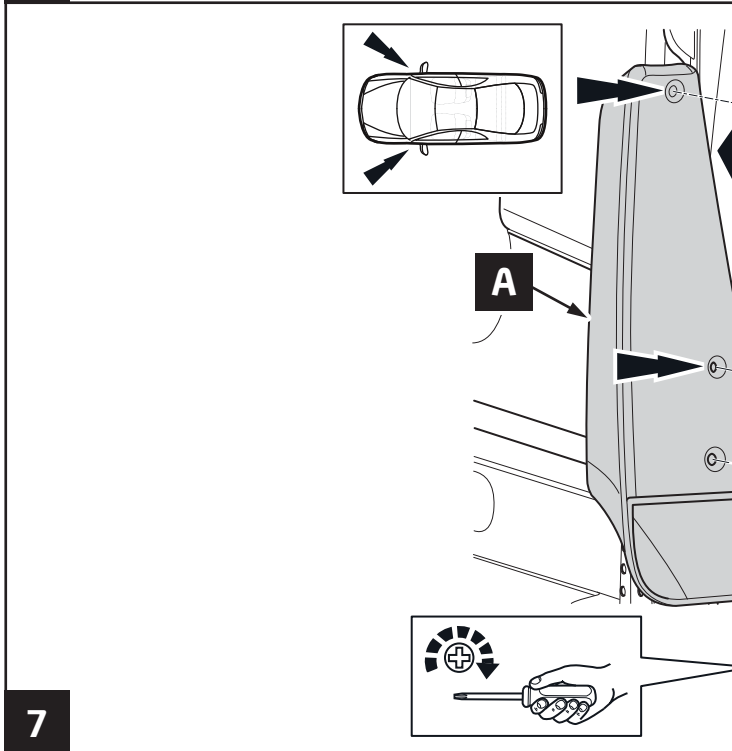
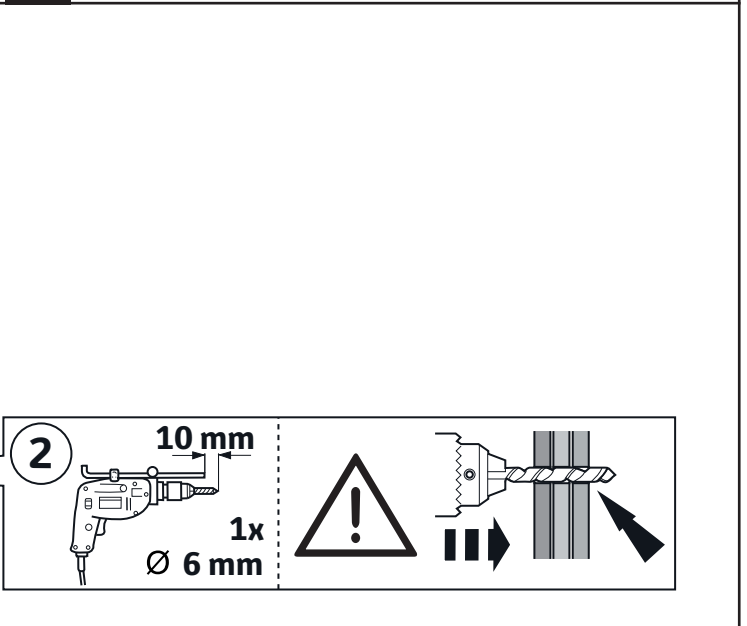
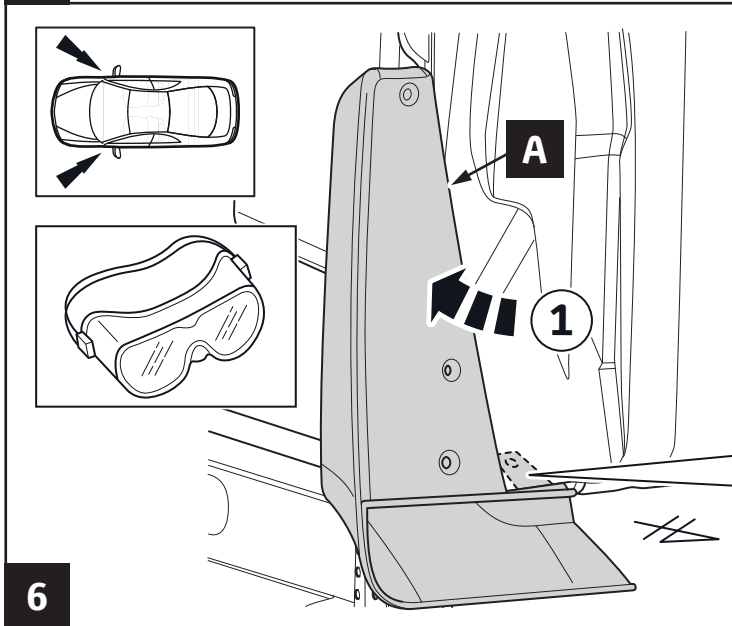
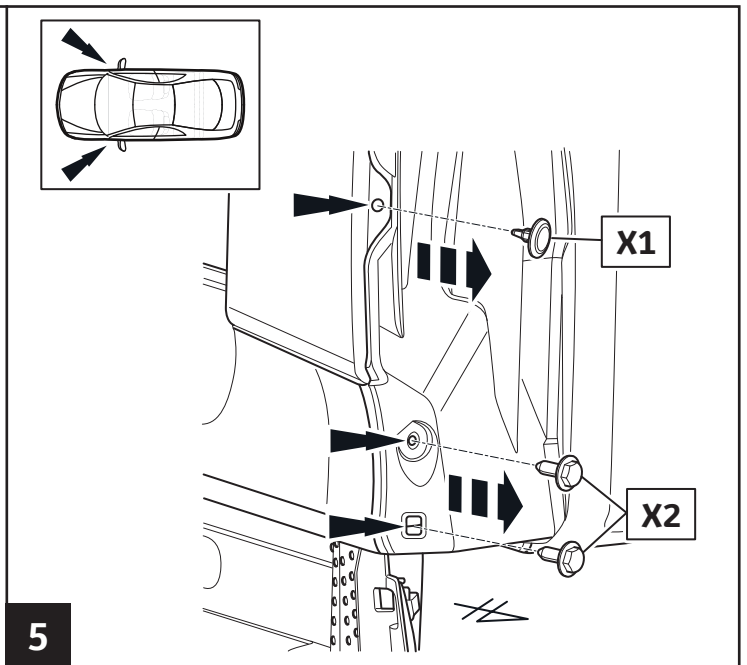
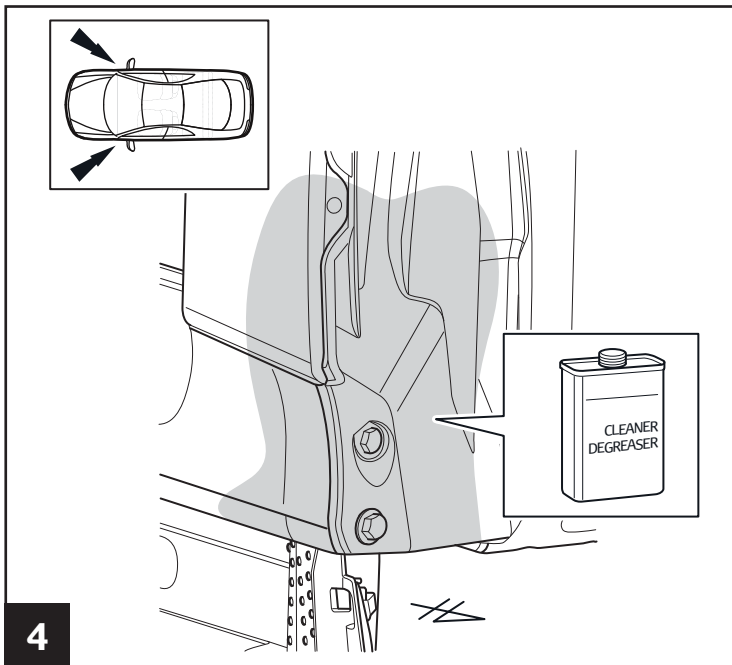
1

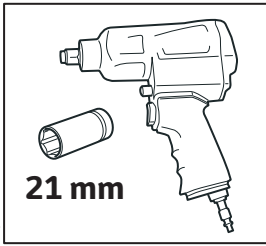
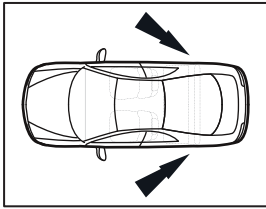




2

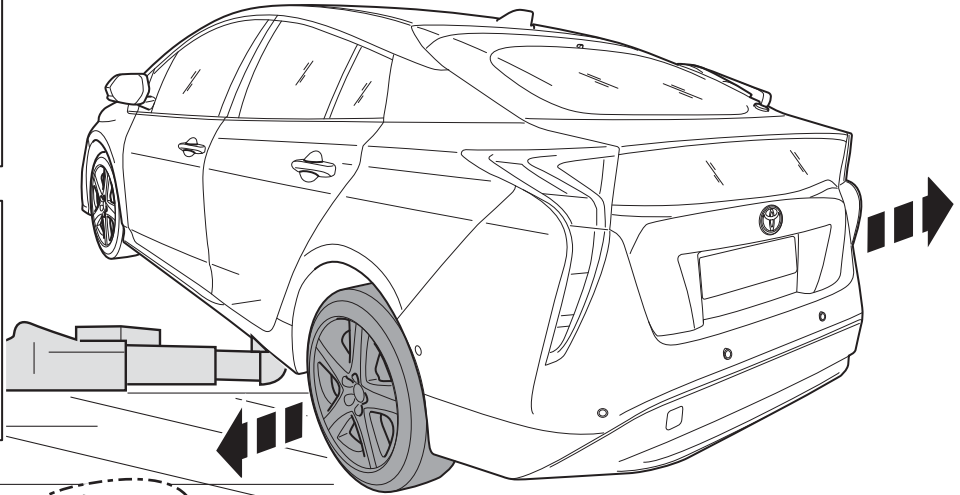


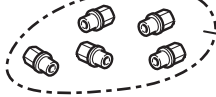
3



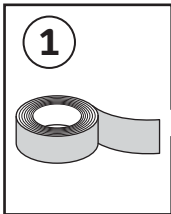


21 mm

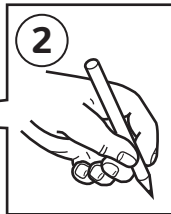


(5x)  Z1

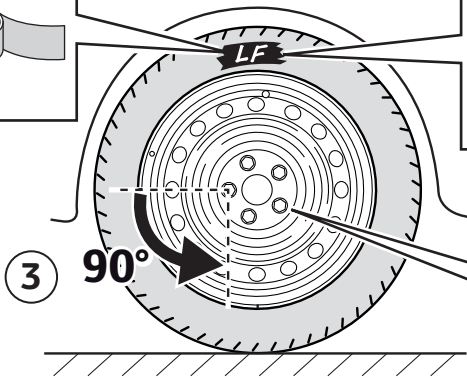
8



1

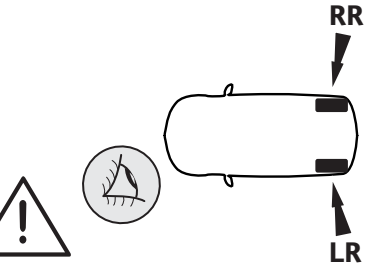


2



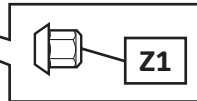
3

90°

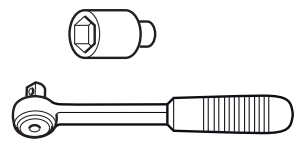


RR

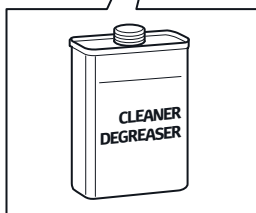
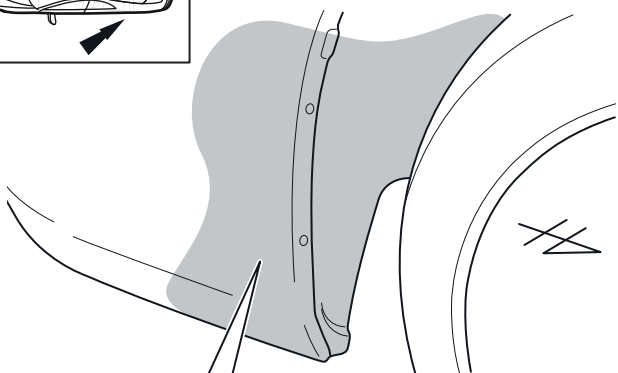
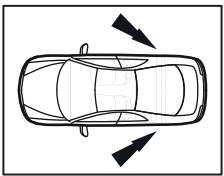
LR



Z1

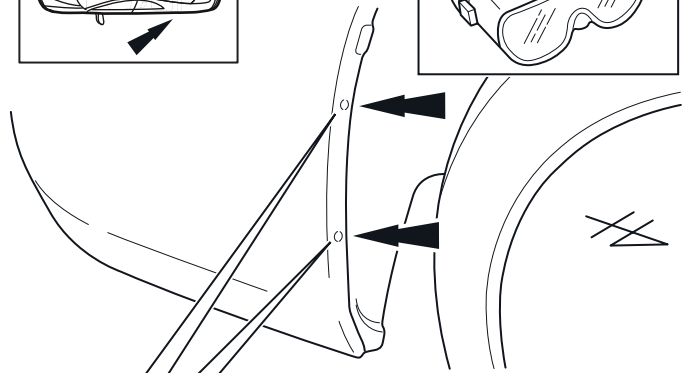
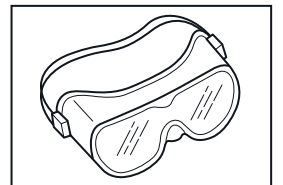
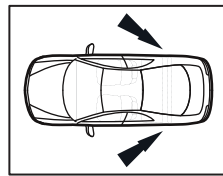


9



CLEANER
DEGREASER

10

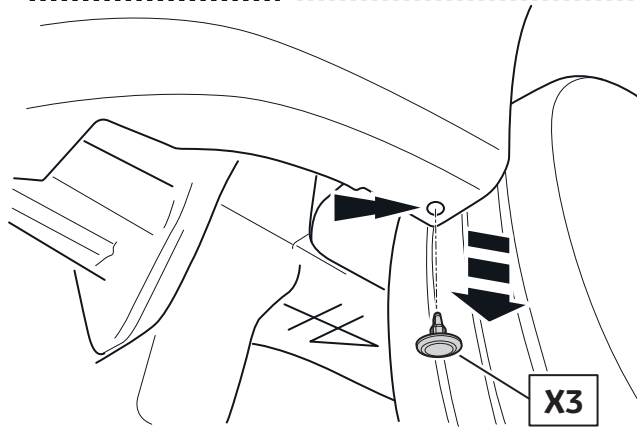
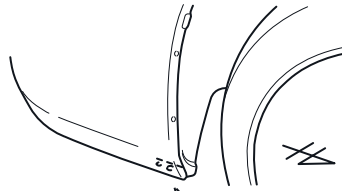
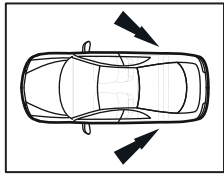


10 mm

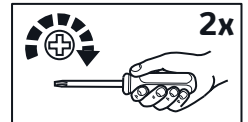
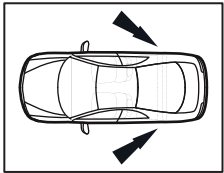
2x

Ø 6 mm

11



12



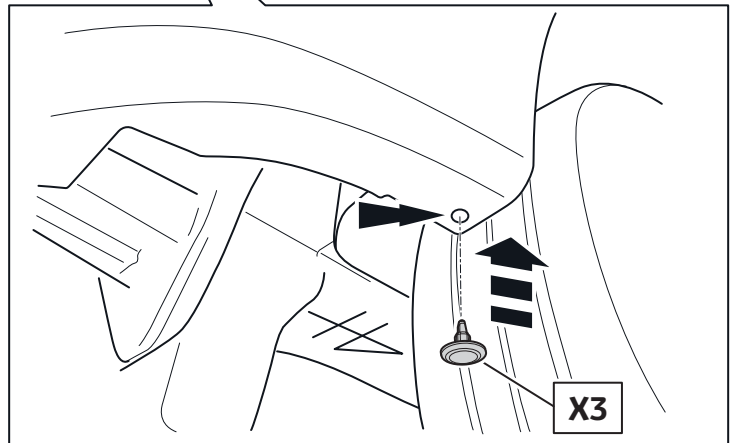
B

2

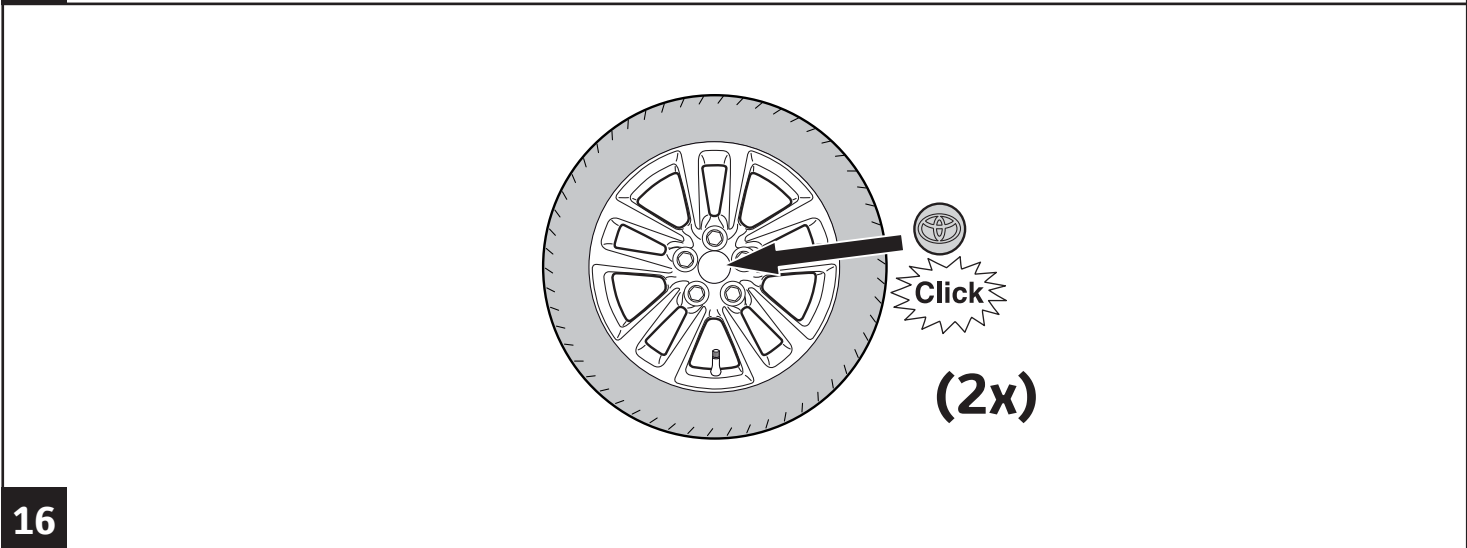
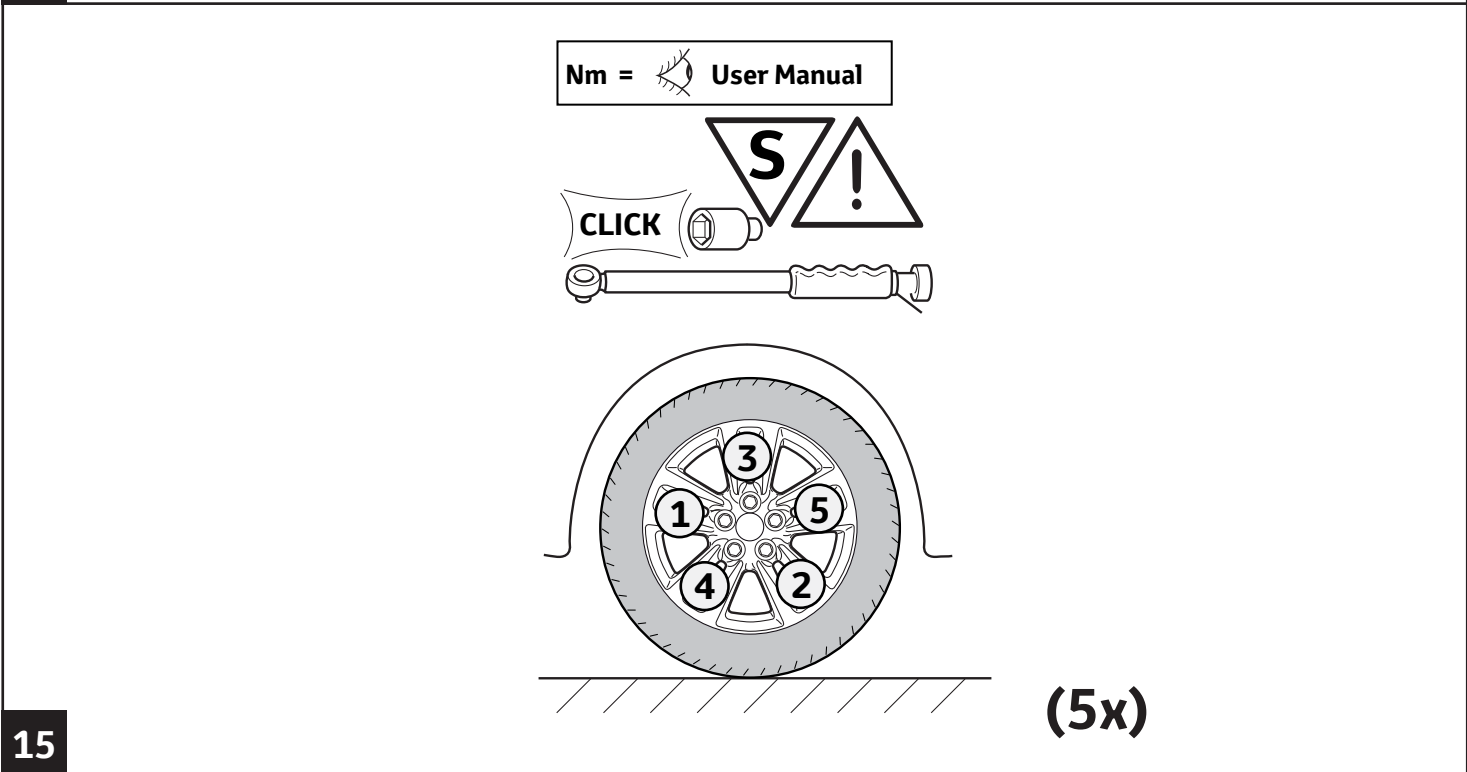
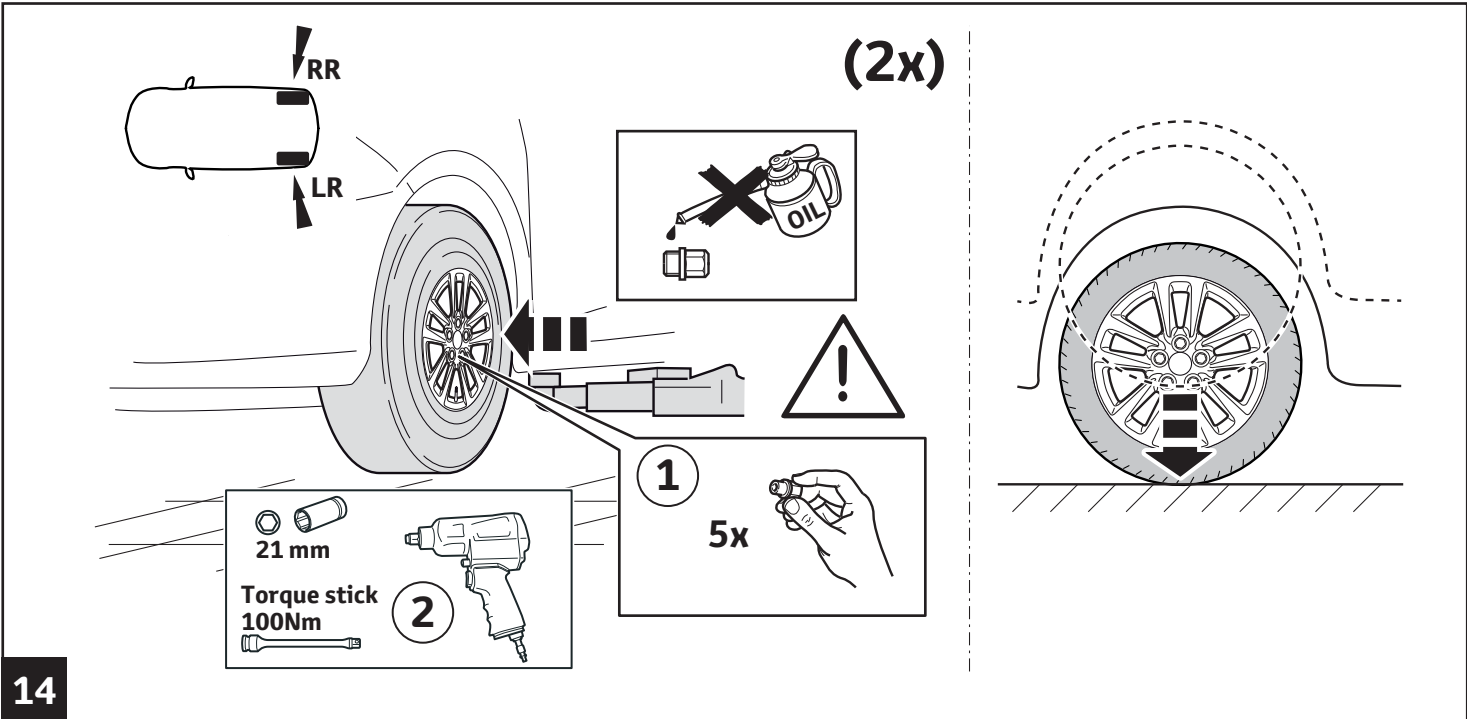
C

2

1



13



CHECK SHEET



TOYOTA

ALWAYS A BETTER WAY

Model / Year Prius 2015/11 **Front & rear set mudlaps**

VIN n°

P/N = OK

103 Nm

CLICK

Serial Number

=A

=B

S

LR = LR = OK

A **B**

S

RR = RR = OK

A **B**

Installation Date:

.. / .. / ..

Technician Name & Signature:

Stamp: