



TOYOTA

ALWAYS A
BETTER WAY

Hilux

Tailgate decoration sticker

Installation instructions

Model year: As from 2015/04

Vehicle code:
GUN1***-C***HW
GUN1***-D***HW
GUN1***-B***HW
GUN1***-CN**XW
GUN1***-D***XV

Part number: PW18A-0K002 Black lettering
PW18A-0K003 Grey lettering

Manual reference number: AIM 003 419 - 3

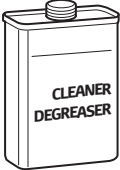


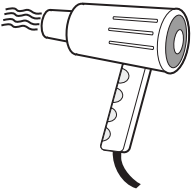
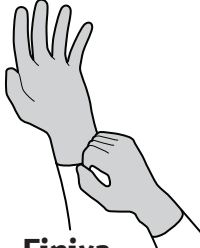





Revision Record

Rev. No.	Date	Page	Picture	Update	New	Deleted steps
1	09.02.16	1, 3		X		
1	09.02.16	5	1	X		
2	15.06.16	6	2	X		
Rev. No.	Date	Page	Step	Remarks		
△ 3	16.04.20	1, 3		Katashiki's updated, heating check added		
△ 3	16.04.20	6	3, 4	Heating check added		

H I L L I X

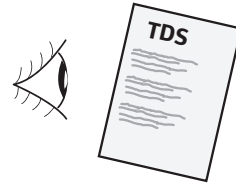
A

1x

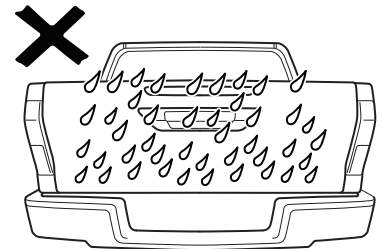
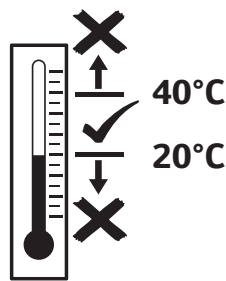
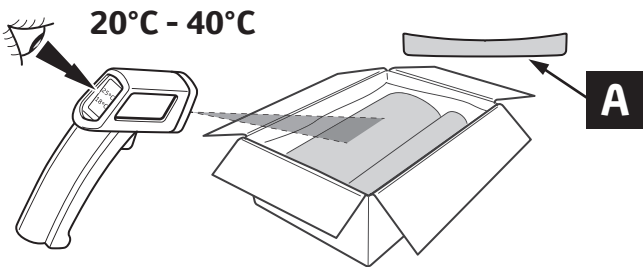
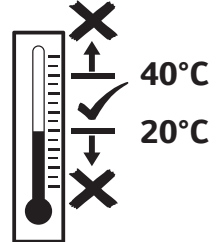
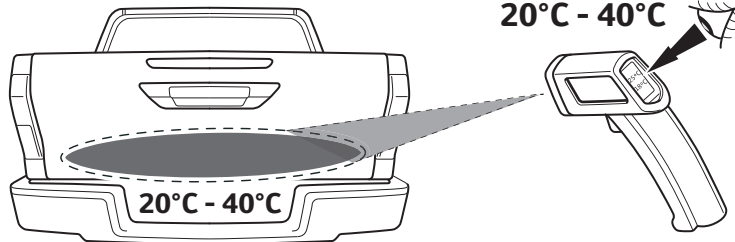
 <p>CLEANER DEGREASER</p>  <p>AIM 003-516-*</p>			 <p>Finixa Nitril gloves</p>	   <p>NEUTRAL SOAP</p> <p>100 : 1</p> <p>H₂O + SOAP</p>
	<p>PZ438-00030-90</p>  <p>3m Gold Squeegee + Low Friction Sleeve NOT INCLUDED</p>			

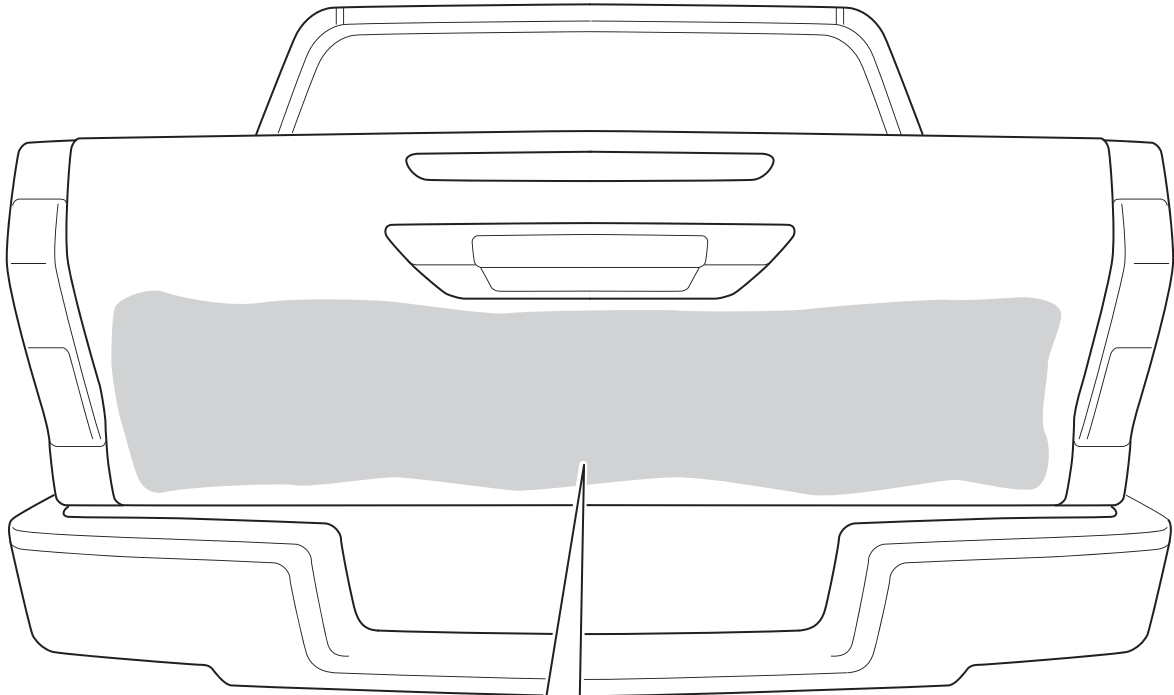


Material Safety Data Sheet

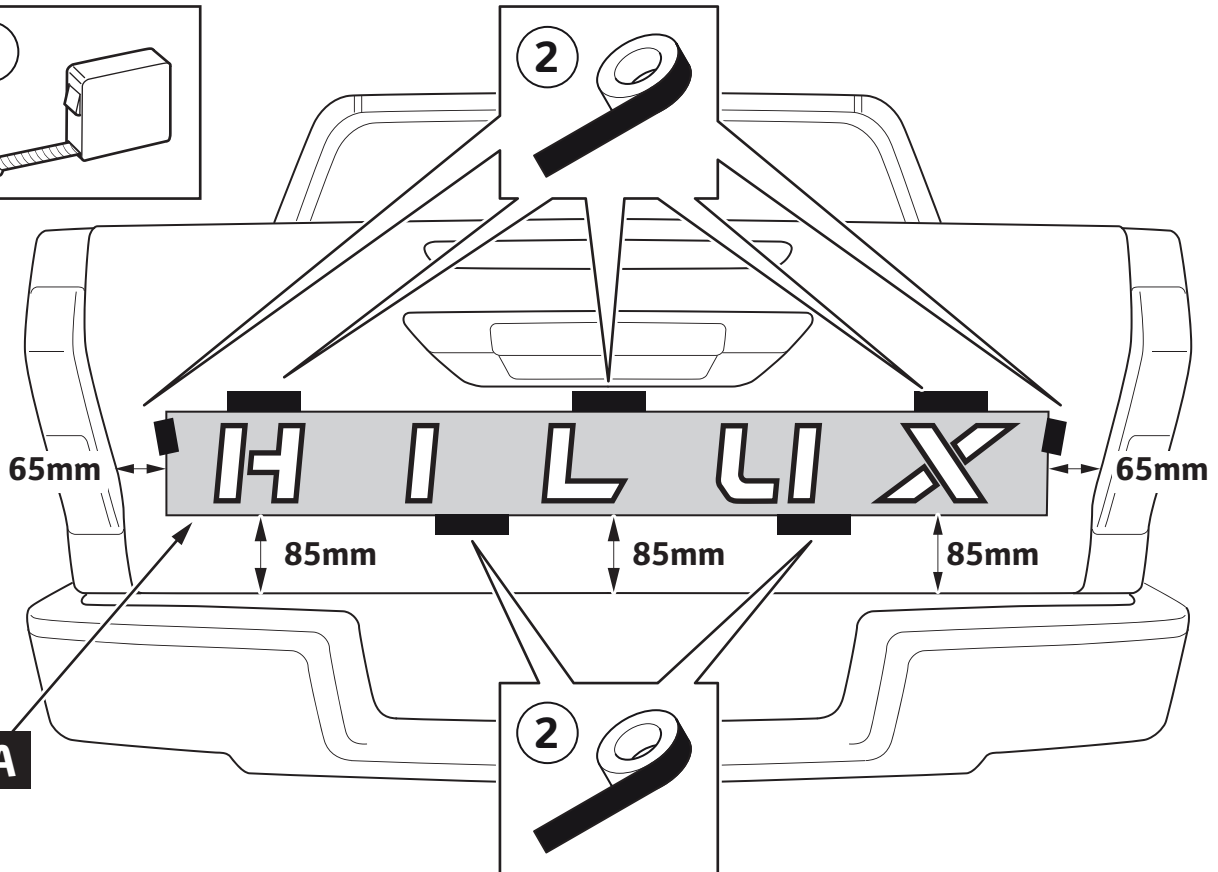
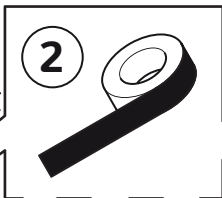
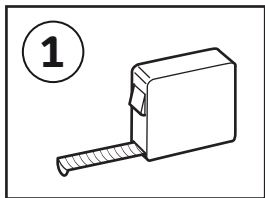


Technical Data Sheet





1



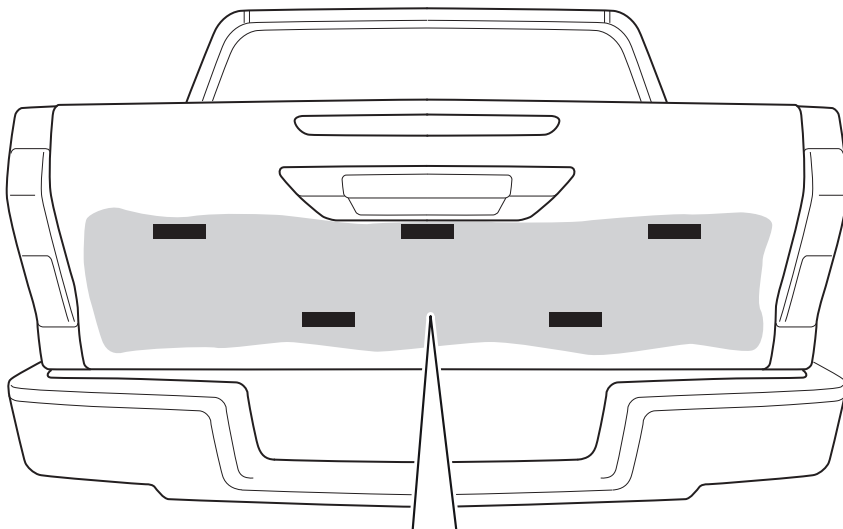
2

A



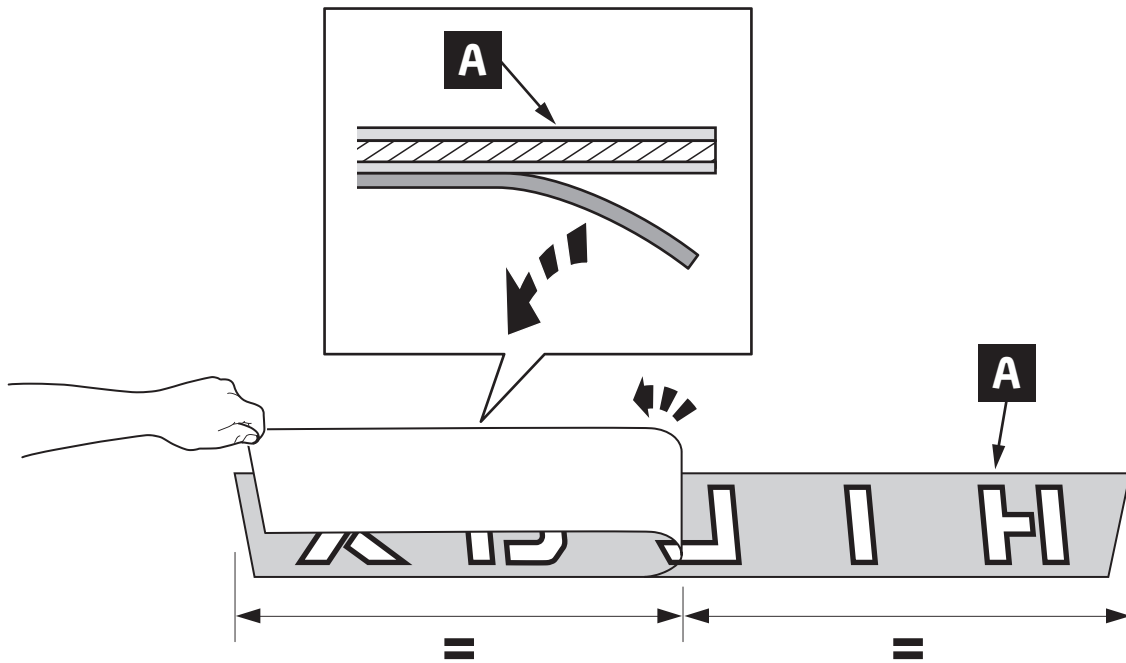
<p>1</p>	<p>< 20°C → 2</p> <p>20°C < 40°C → 4</p>	<p>2</p>
<p>3</p>	<p>20°C < 40°C → 4</p>	<p>INFO</p> <p>3 → 12</p>

3

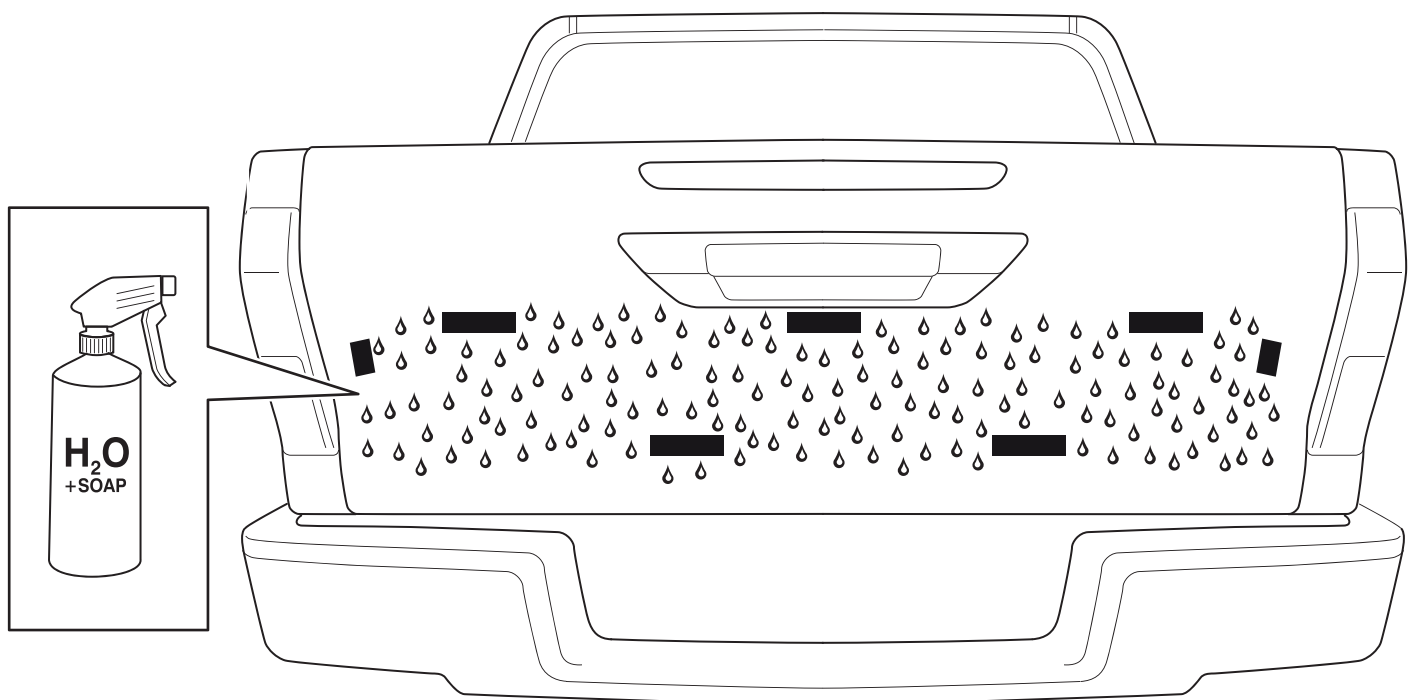


<p>1</p>	<p>< 20°C → 2</p> <p>20°C < 40°C → 5</p>	<p>2</p>
<p>3</p>	<p>20°C < 40°C → 5</p>	<p>INFO</p> <p>4 → 12</p>

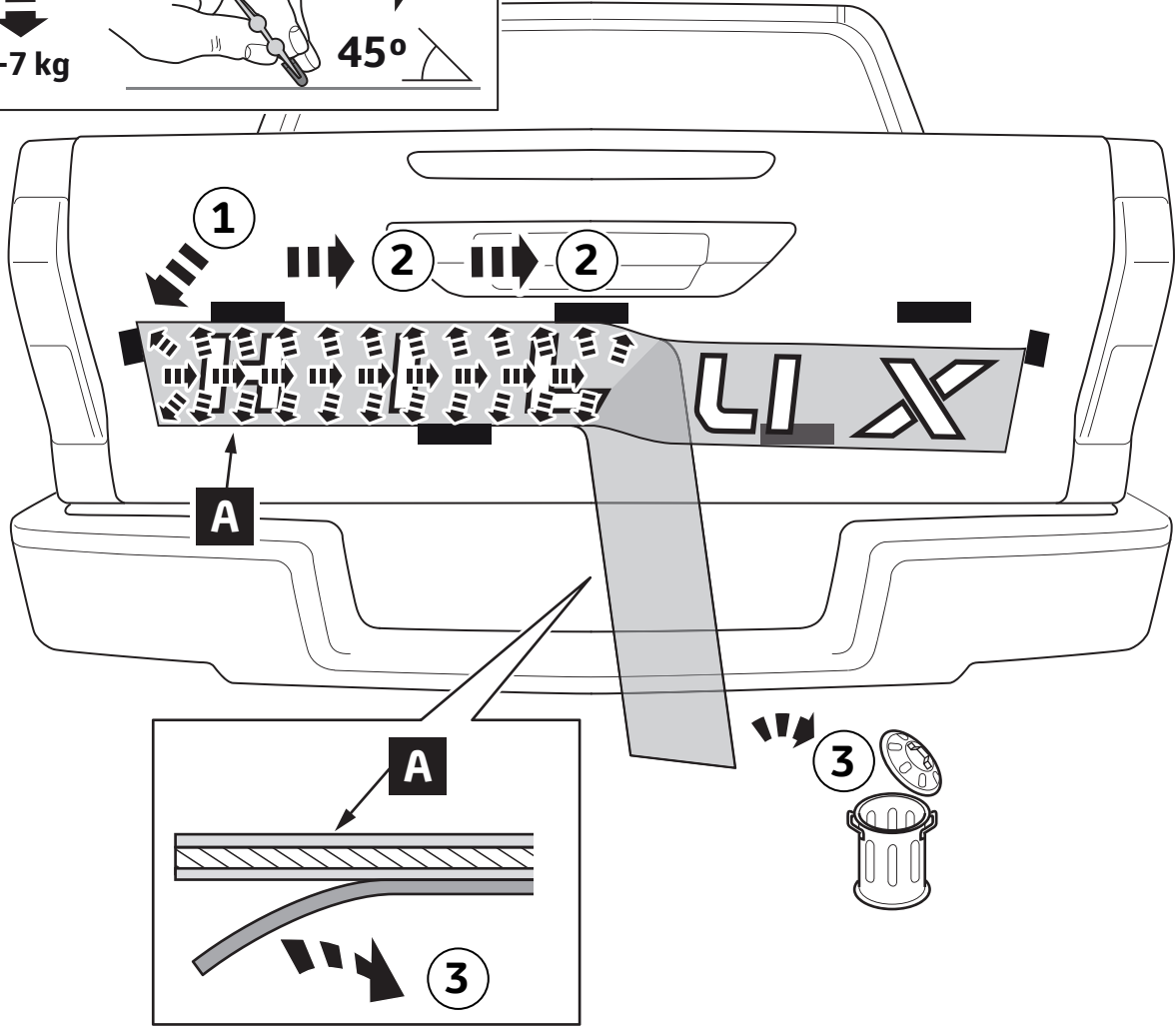
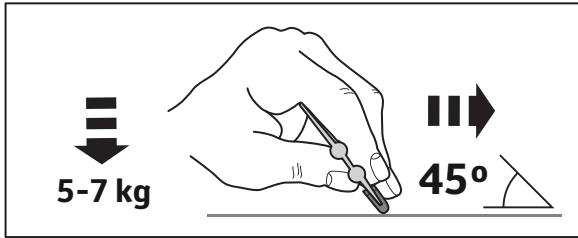
4



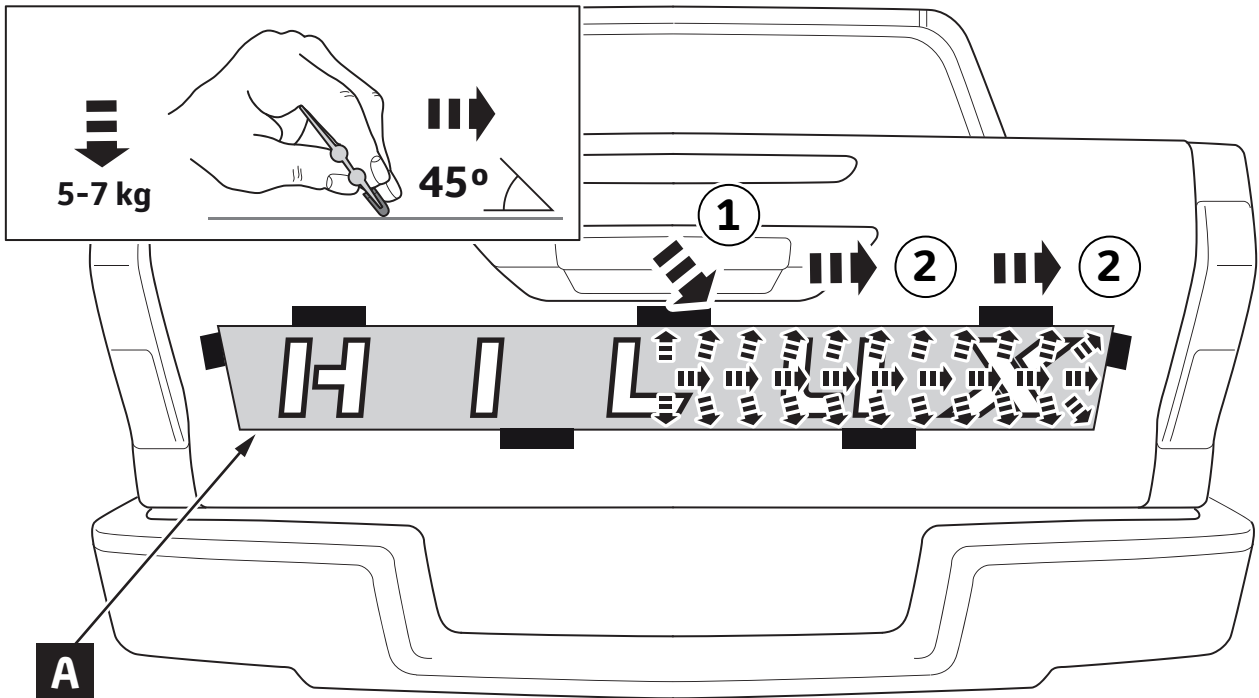
5



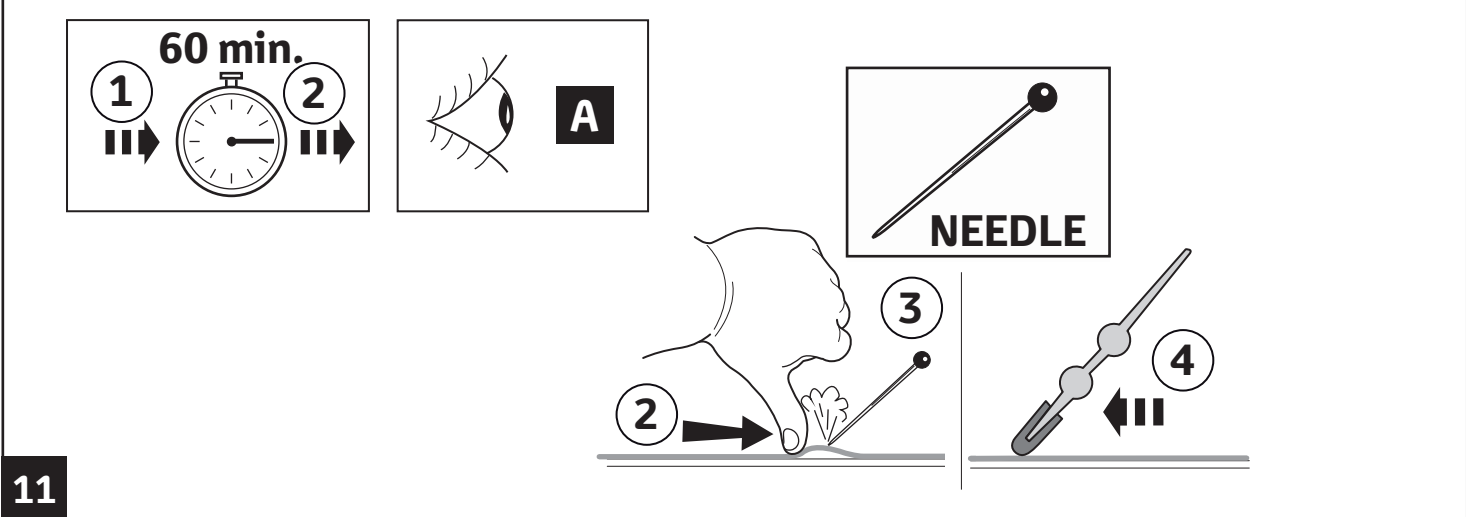
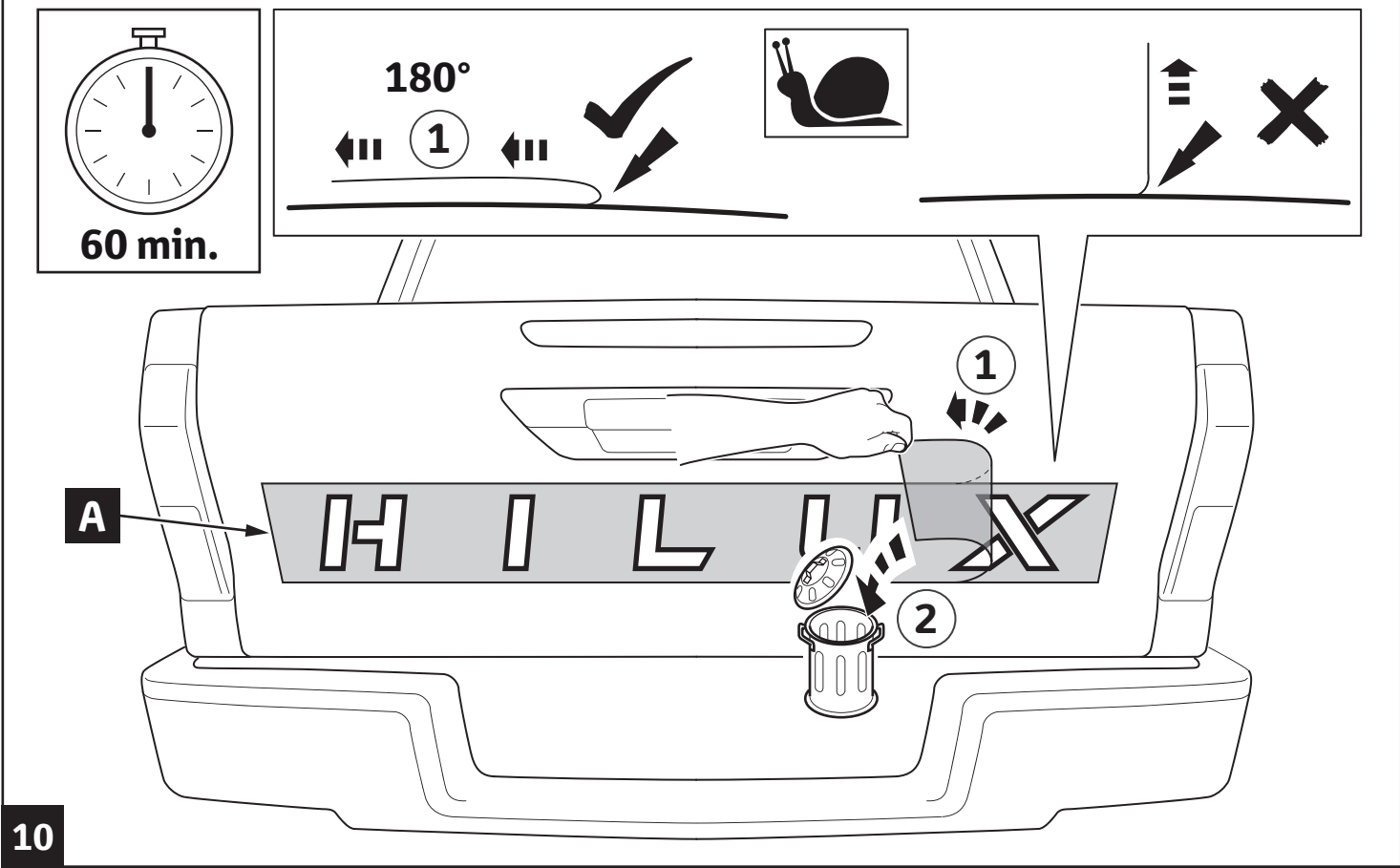
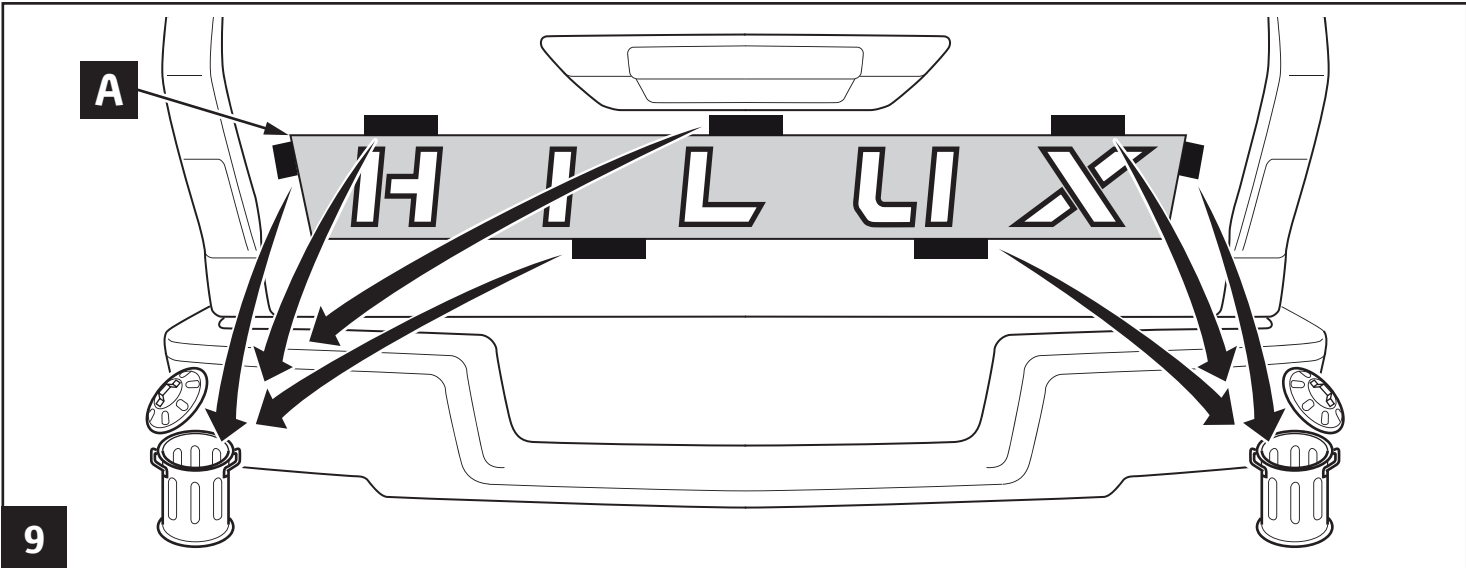
6

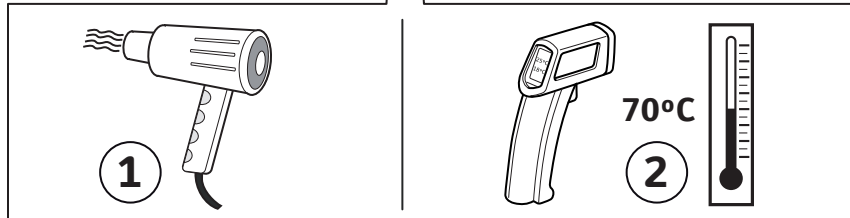
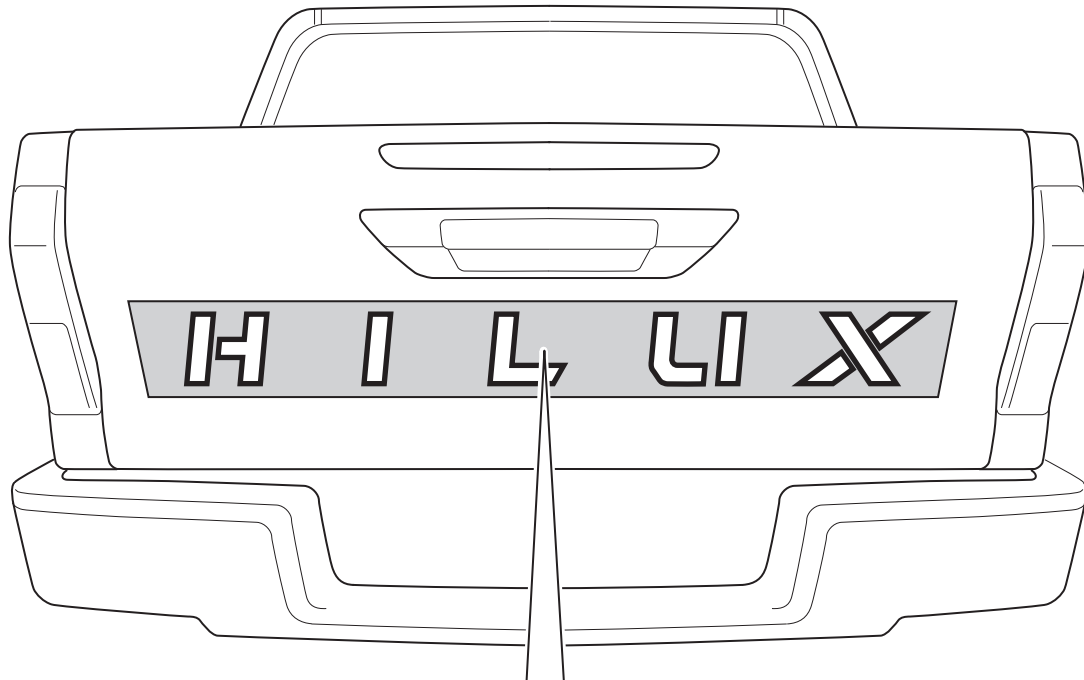


7

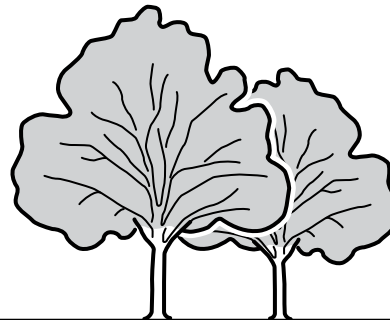
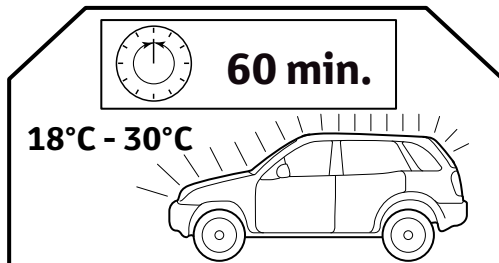


8



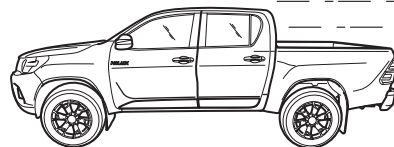
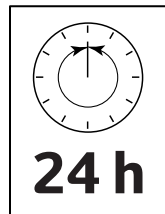
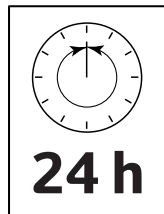
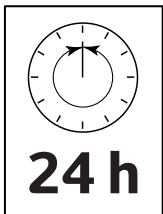


12

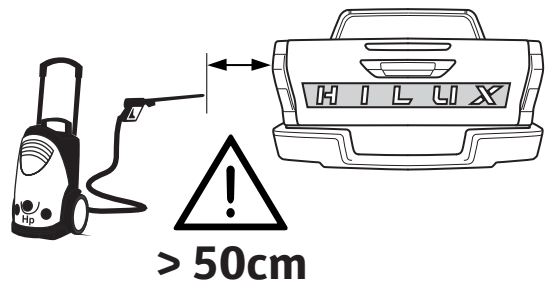
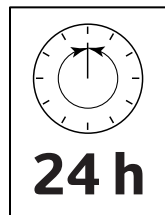
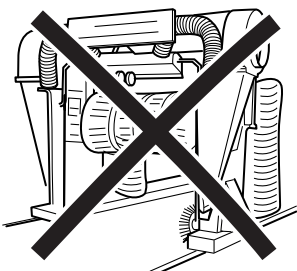


13

INFO



Max. 90 Km/h



CHECK SHEET Page 1 of 1



TOYOTA

ALWAYS A
BETTER WAY

Model / Year

Hilux

As from 2015/04

Tailgate decoration

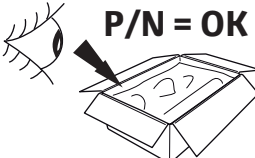
sticker

VIN n°

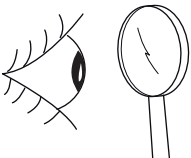
□ □ □ □ □ □ □ □ □ □ □ □ □ □ □ □ □ □

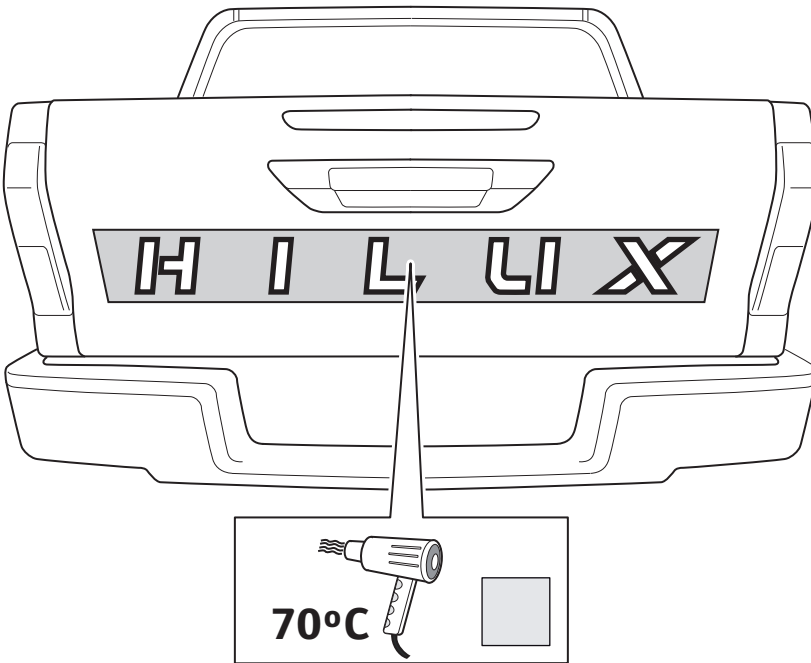
DURING INSTALLATION

1

 **P/N = OK**

2

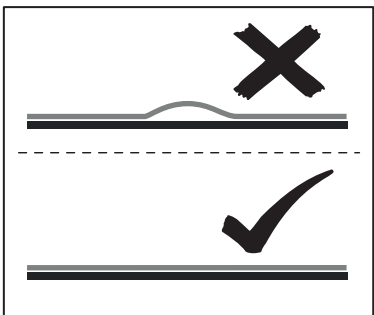
 **= OK**



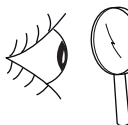
70°C

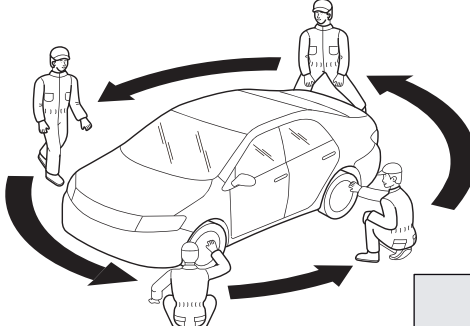
AFTER INSTALLATION

1



2

 **= OK**



Installation Date:

.. / .. / ..

Technician Name & Signature:

Stamp:

