



TOYOTA

ALWAYS A
BETTER WAY

Auris Touring Sports

Mudflaps

Installation Instructions

Model year: 2013/06, 2015/05

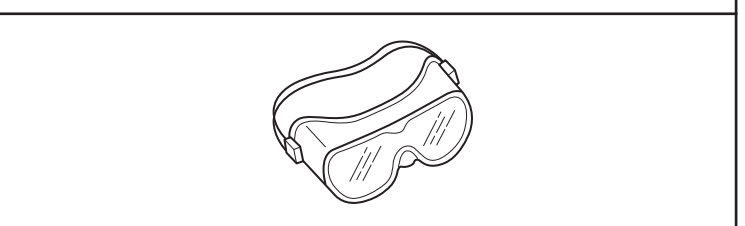
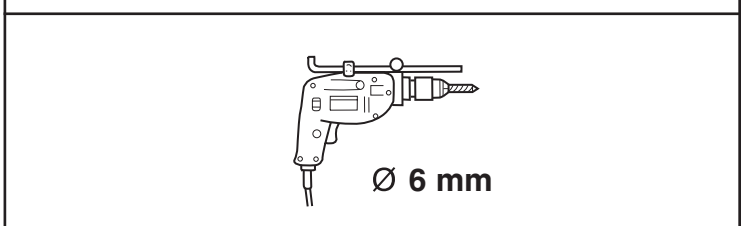
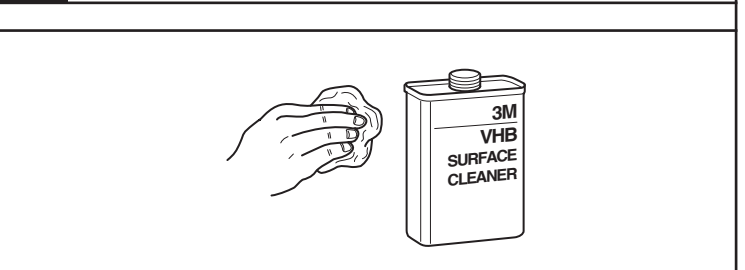
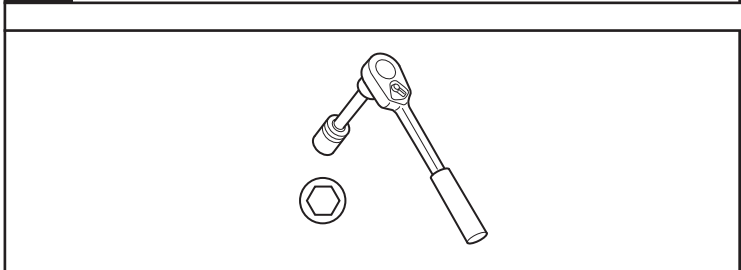
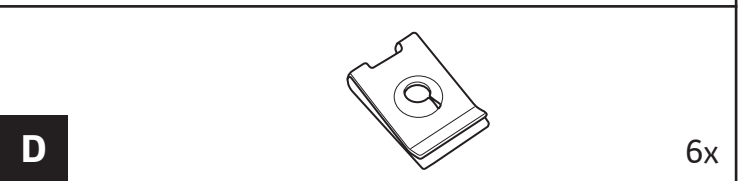
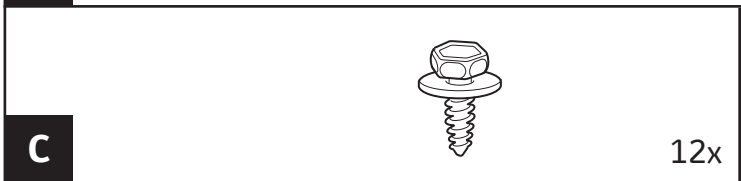
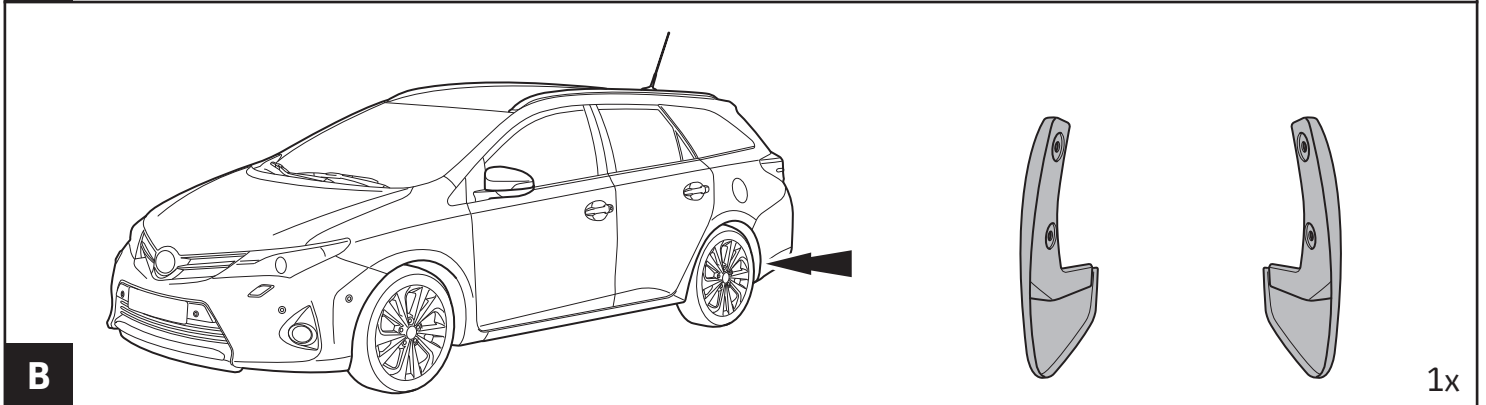
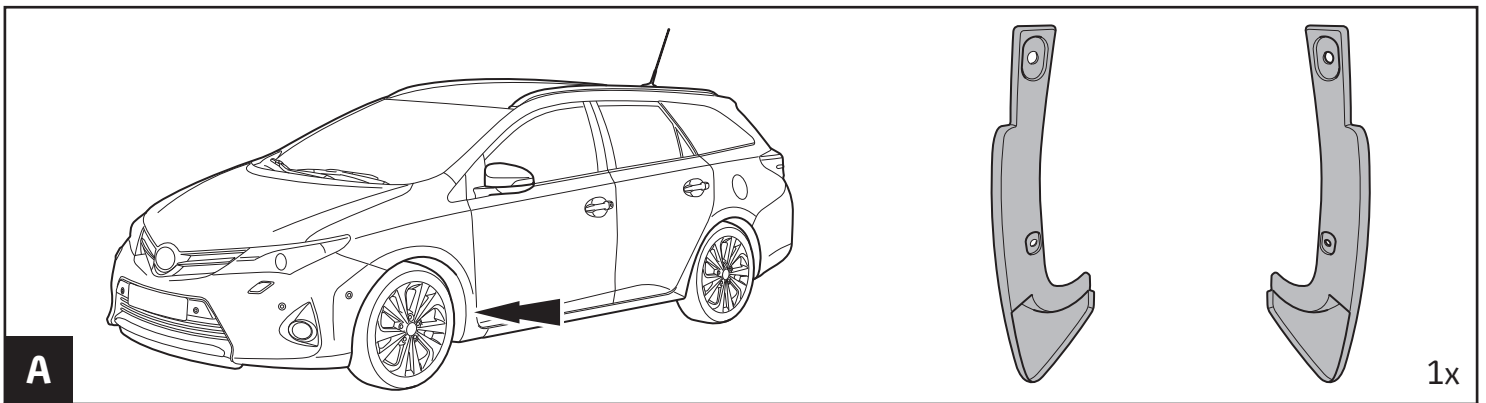
Vehicle code: **E18**-DW***W

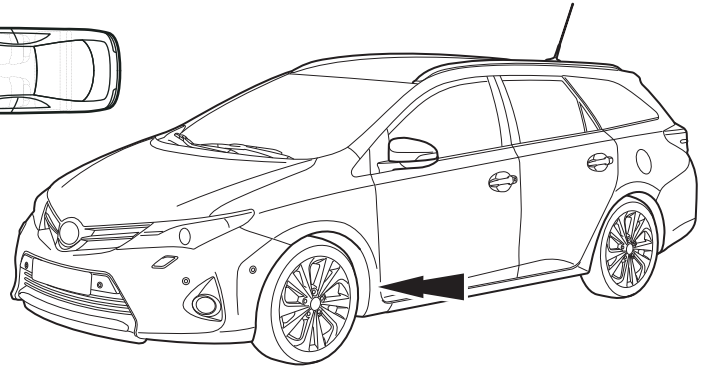
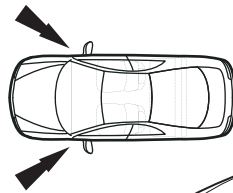
Part number: 53008-02030

Manual reference number: AIM 002 911-1

Revision record

Rev. No.	Date	Page	Picture	Update	New	Deleted steps
1	15-01-15	1 + 7		Model year		

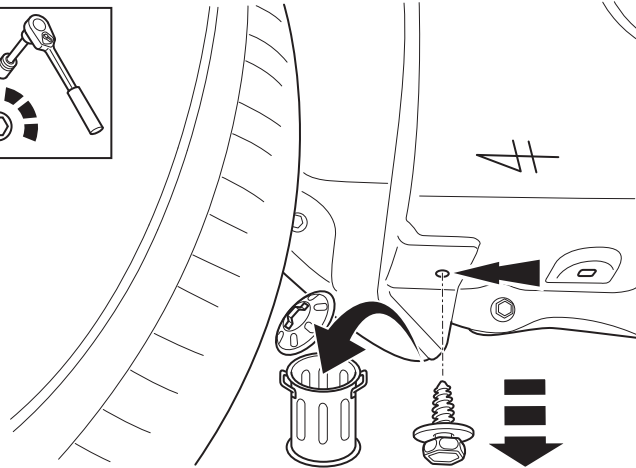
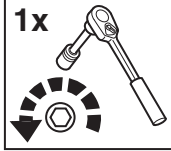
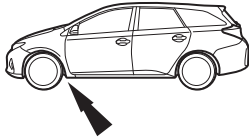




1

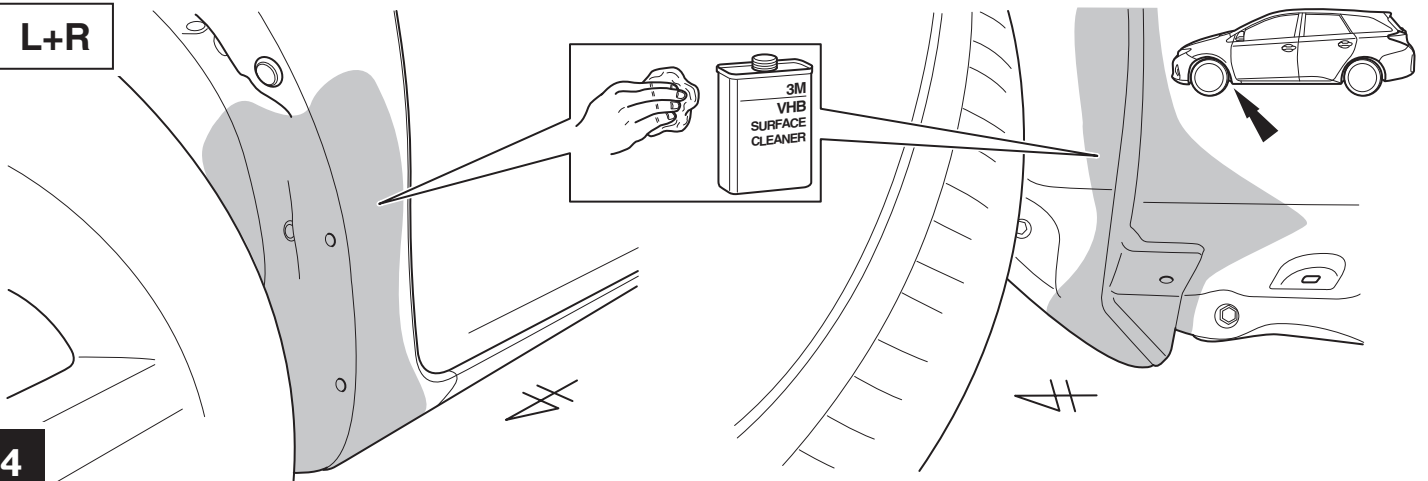
2

L+R



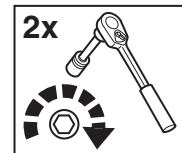
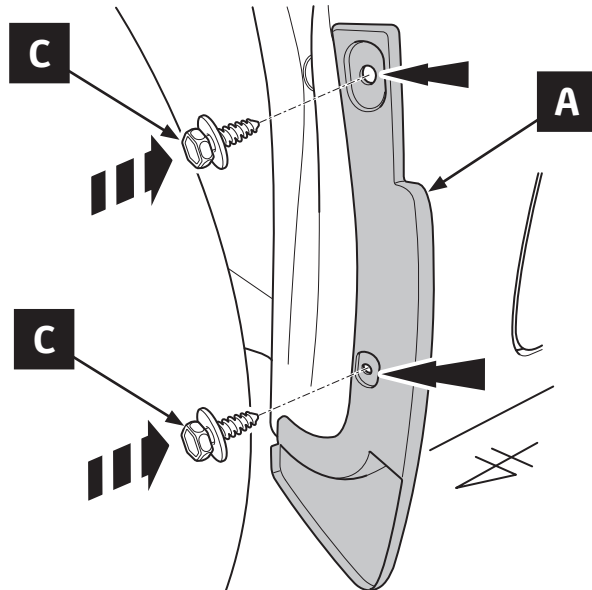
3

L+R



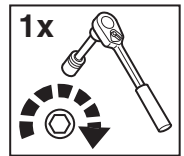
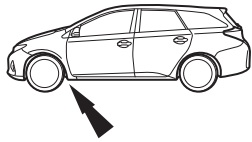
4

L+R



5

L+R

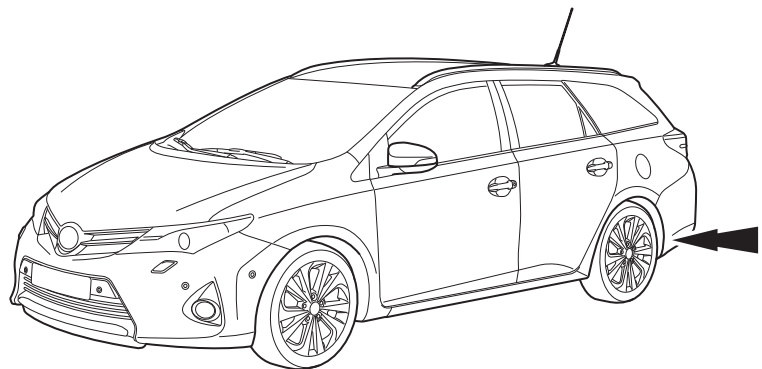
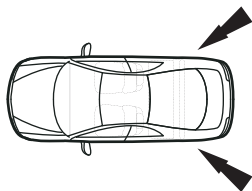


A



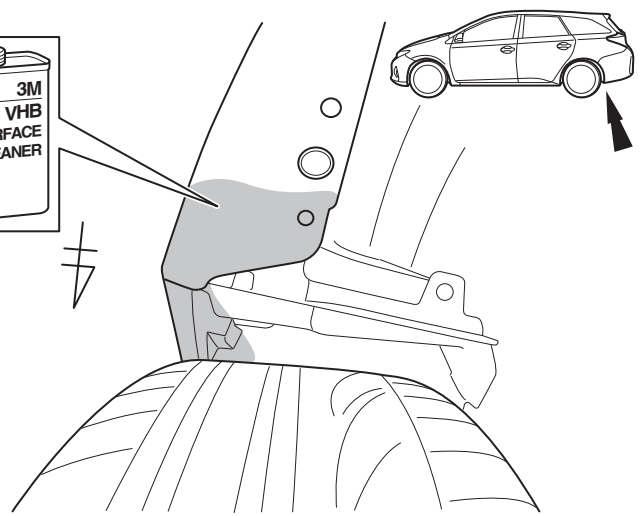
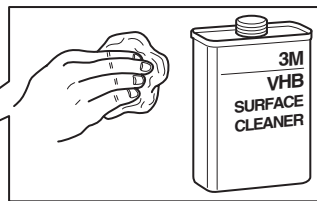
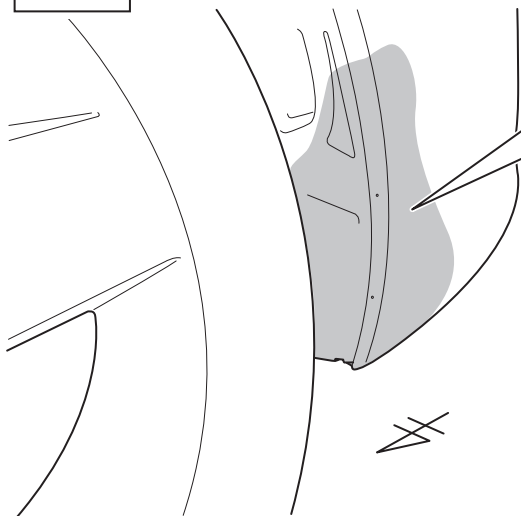
C

6



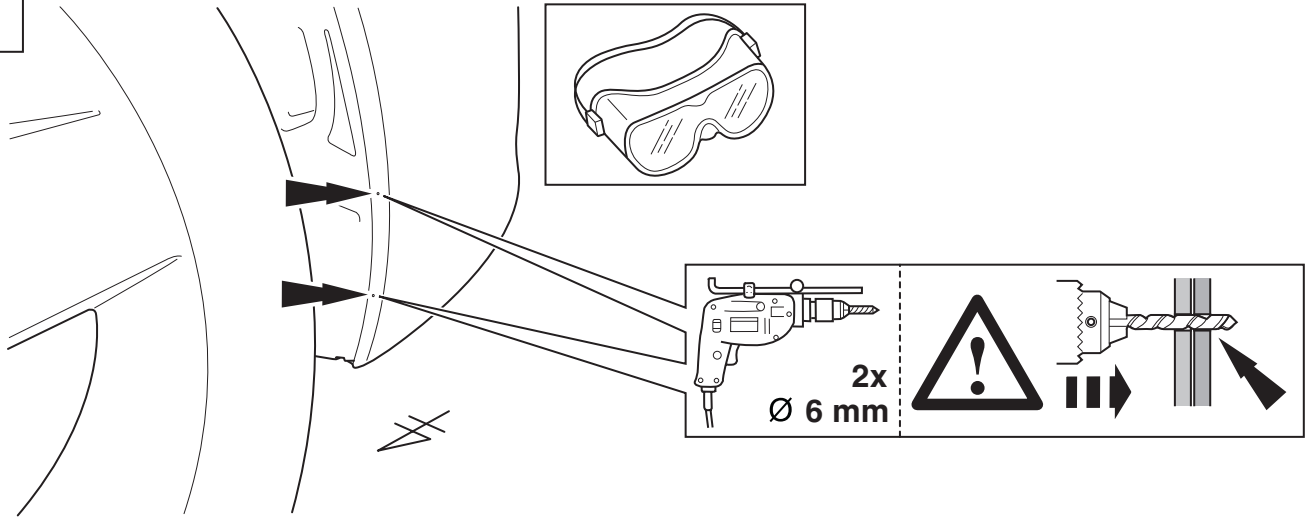
7

L+R



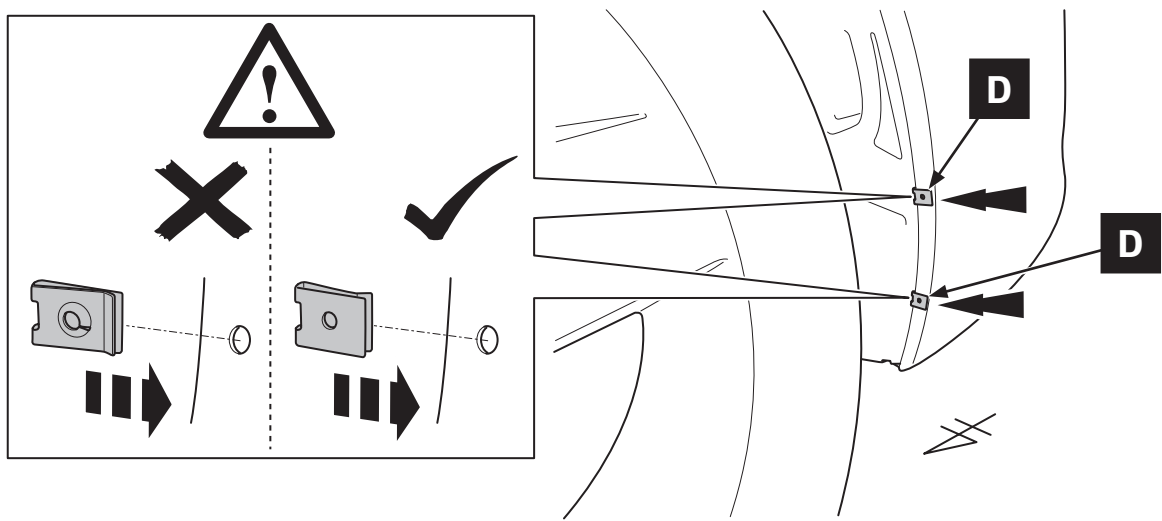
8

L+R



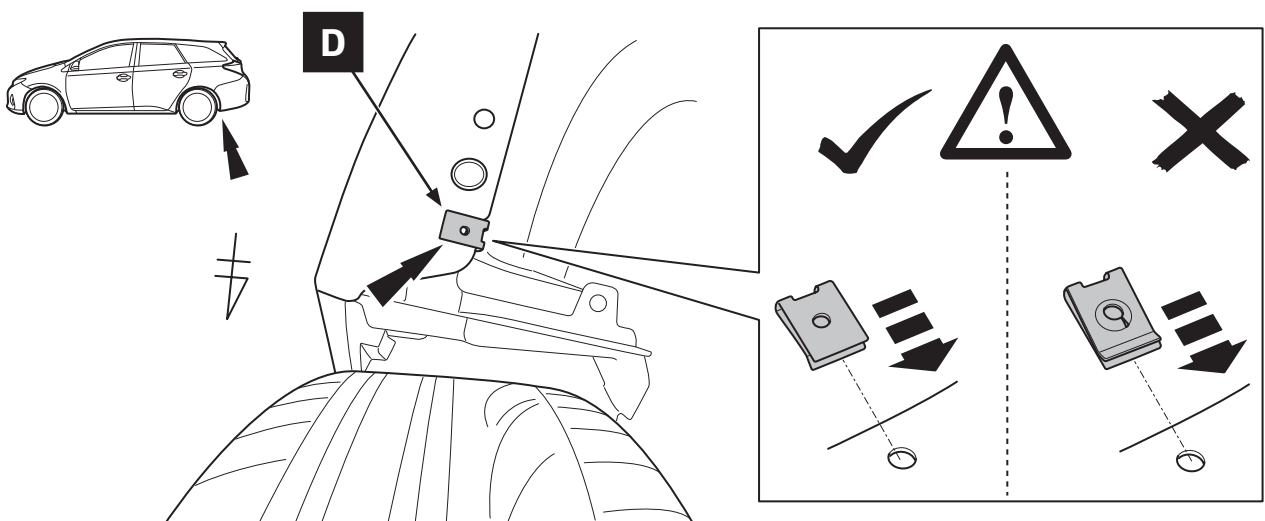
9

L+R

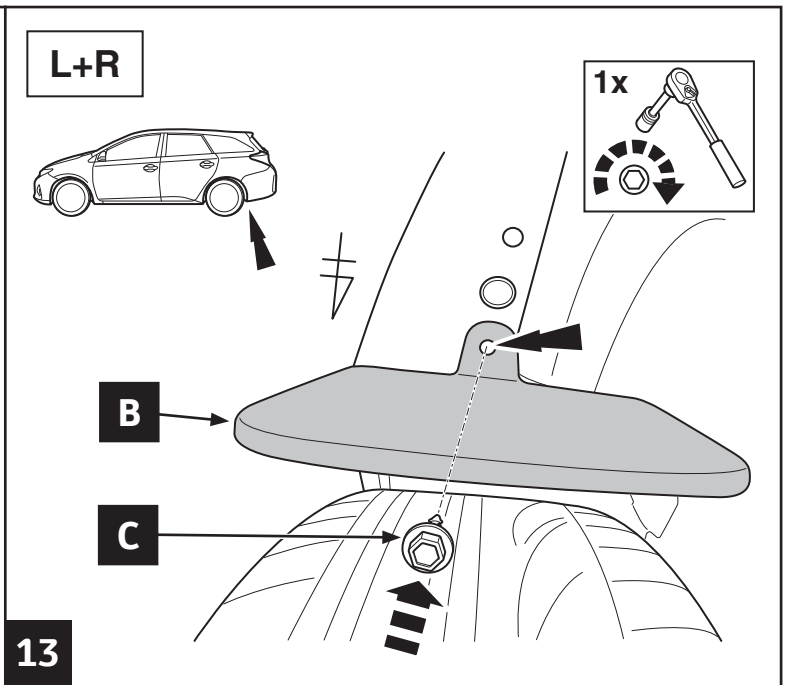
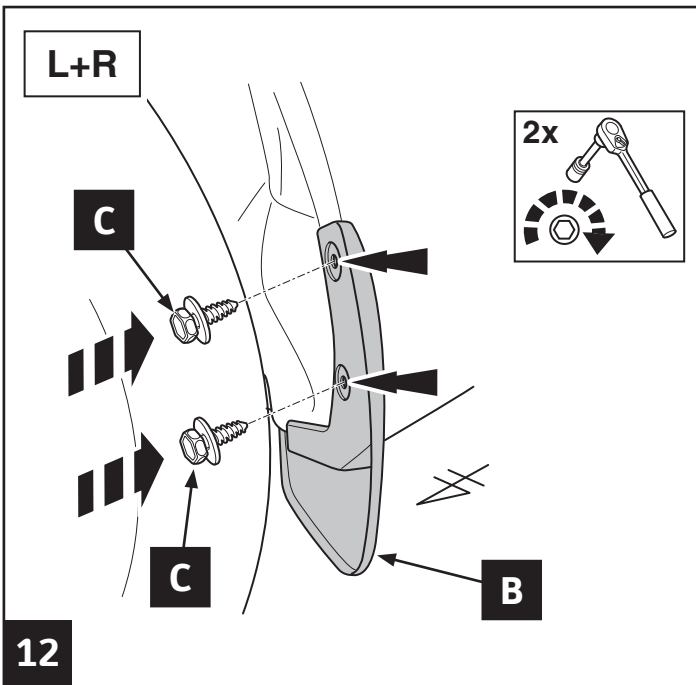


10

L+R



11



CHECK SHEET




TOYOTA

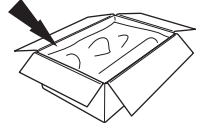
Model / Year Auris Touring Sports
2013/06, 2015/05


**Mudflaps - Front
& Rear**

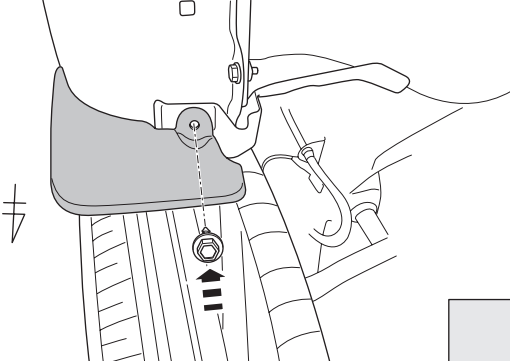
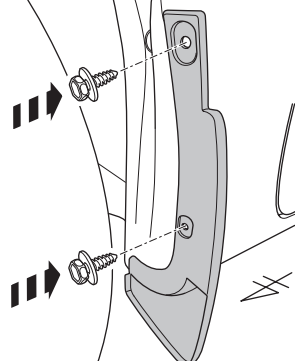
ALWAYS A
BETTER WAY


VIN n°

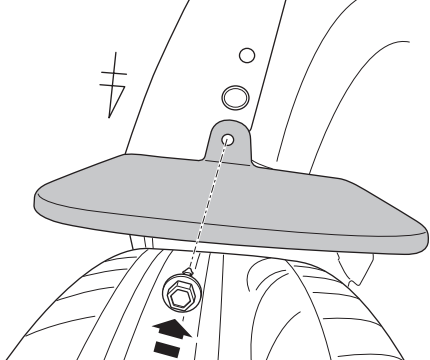
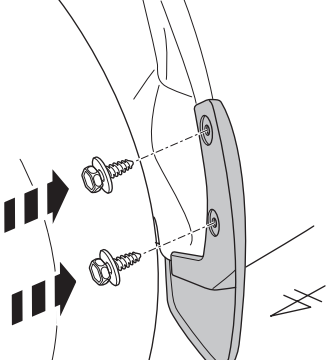
 **P/N = OK**






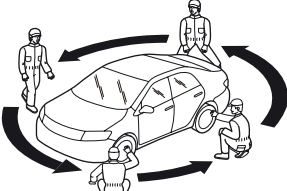
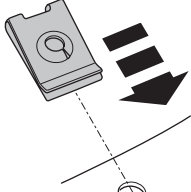
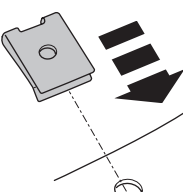
 **LH = RH**





 **LH = RH**





  = OK

Installation Date:
. . . / . . . /

Technician Name & Signature:

Stamp: