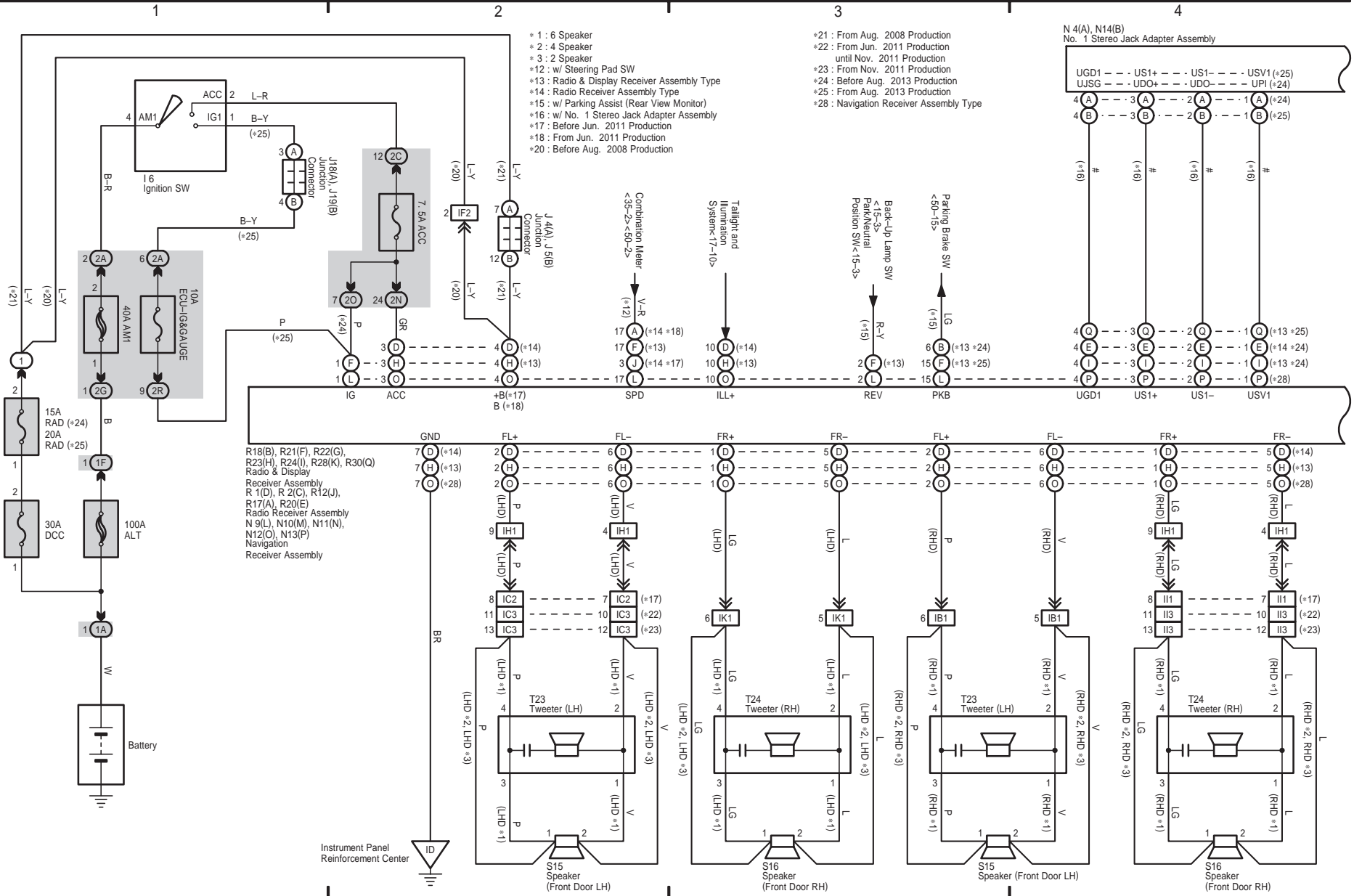


Power Source

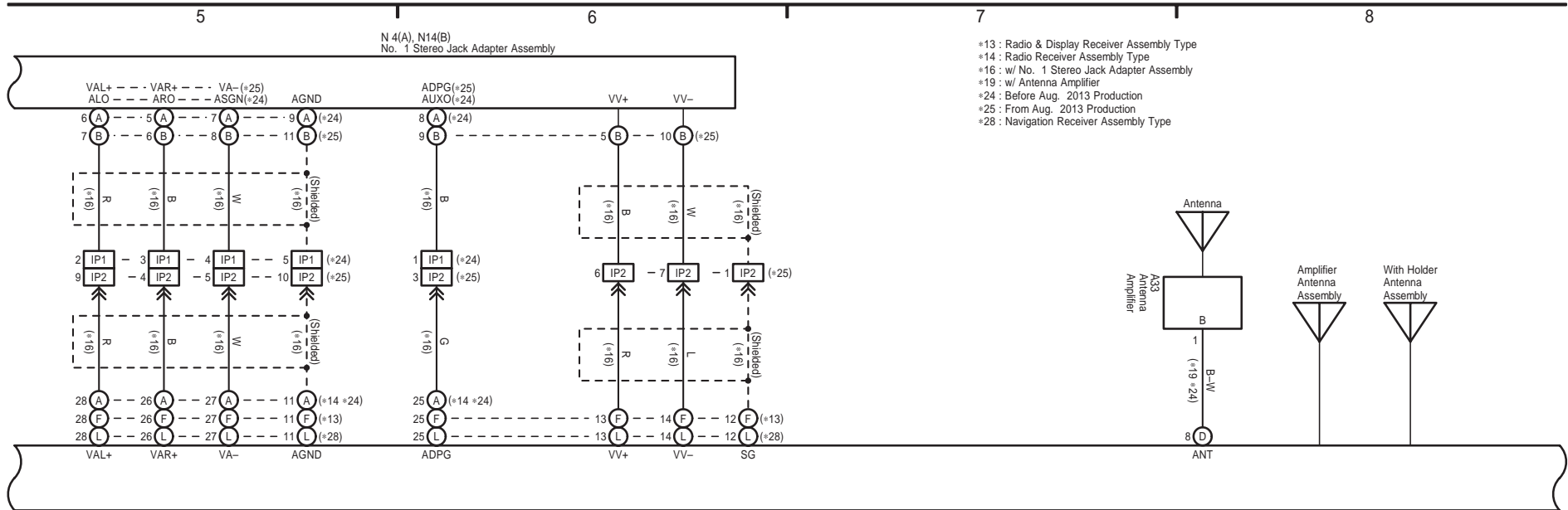
Audio System, Navigation System and Parking Assist (Rear View Monitor)

# : There is no wire color information.

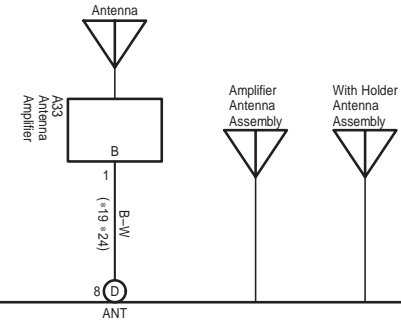


HILUX (EM1815E)

Audio System, Navigation System and Parking Assist (Rear View Monitor)



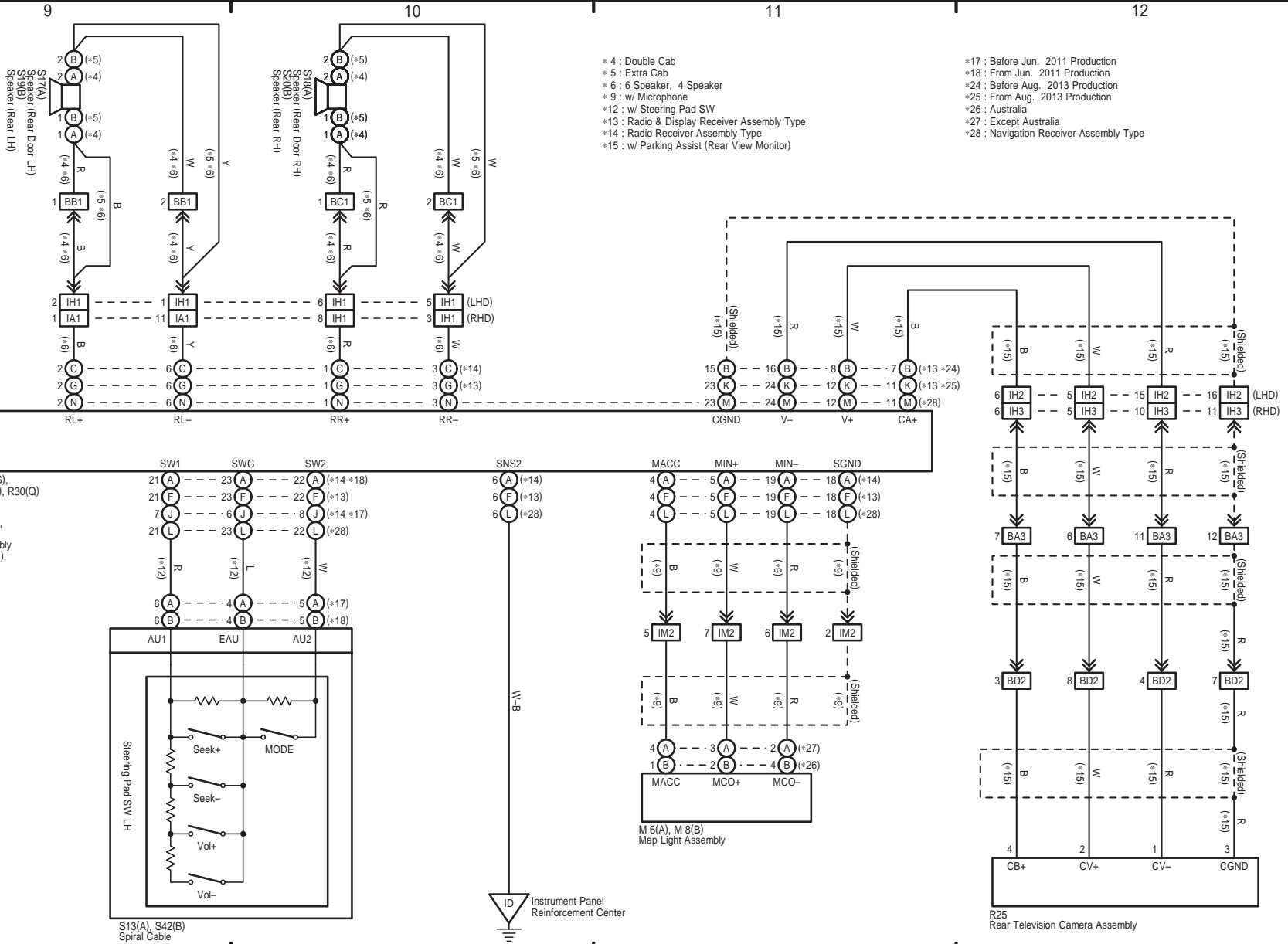
- \*13 : Radio & Display Receiver Assembly Type
- \*14 : Radio Receiver Assembly Type
- \*16 : w/ No. 1 Stereo Jack Adapter Assembly
- \*19 : w/ Antenna Amplifier
- \*24 : Before Aug. 2013 Production
- \*25 : From Aug. 2013 Production
- \*28 : Navigation Receiver Assembly Type



R18(B), R21(F), R22(G),  
 R23(H), R24(I), R28(K), R30(Q)  
 Radio & Display  
 Receiver Assembly  
 R 1(D), R 2(C), R12(J),  
 R17(A), R20(E)  
 Radio Receiver Assembly  
 N 9(L), N10(M), N11(N),  
 N12(O), N13(P)  
 Navigation  
 Receiver Assembly

HILUX (EM1815E)

Audio System, Navigation System and Parking Assist (Rear View Monitor)



HILUX (EM1815E)

M OVERALL ELECTRICAL WIRING DIAGRAM