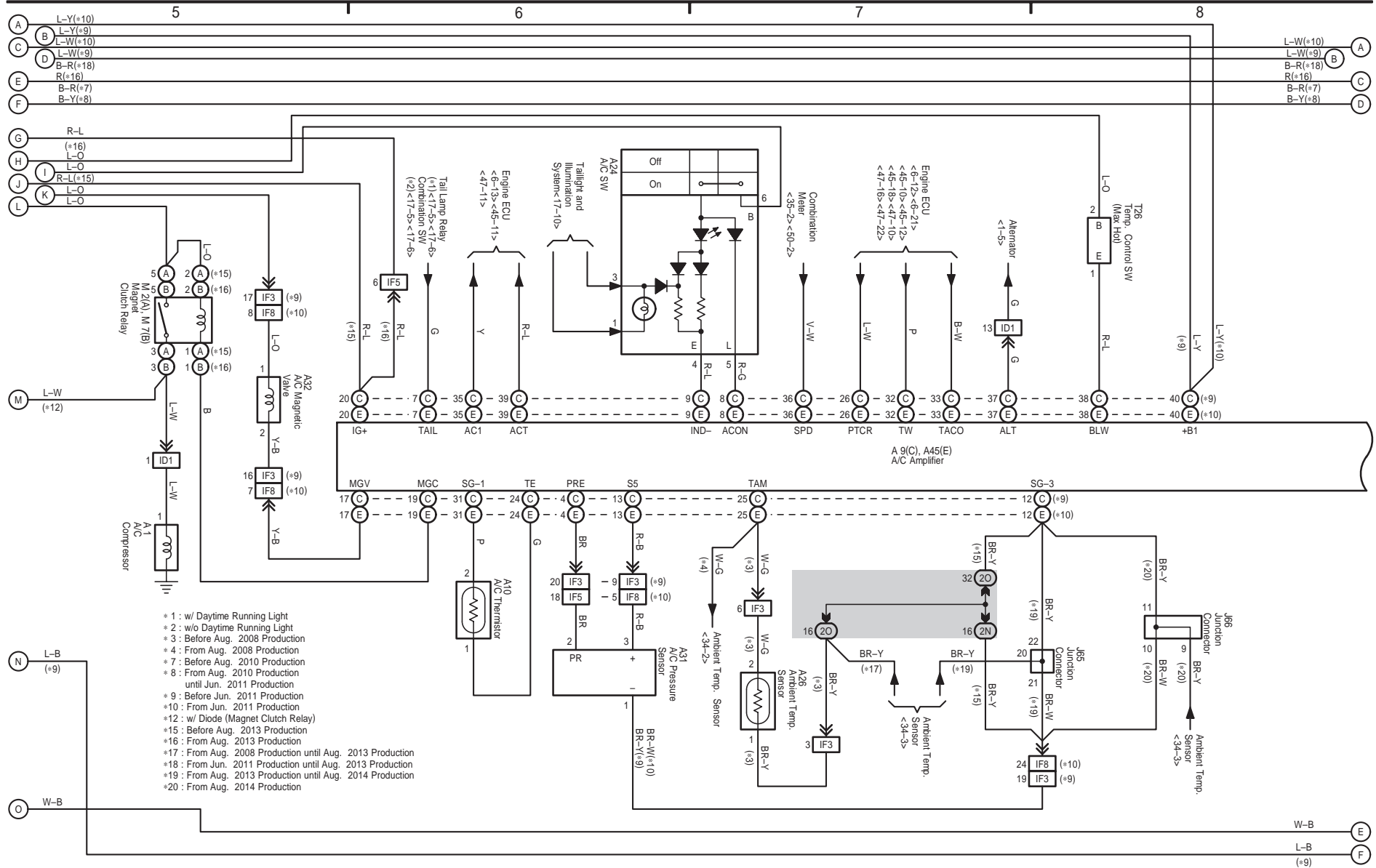


Manual Air Conditioner  
(Cold Area Spec.)

PTC Heater (Cold Area Spec. w/ Manual Air Conditioner)



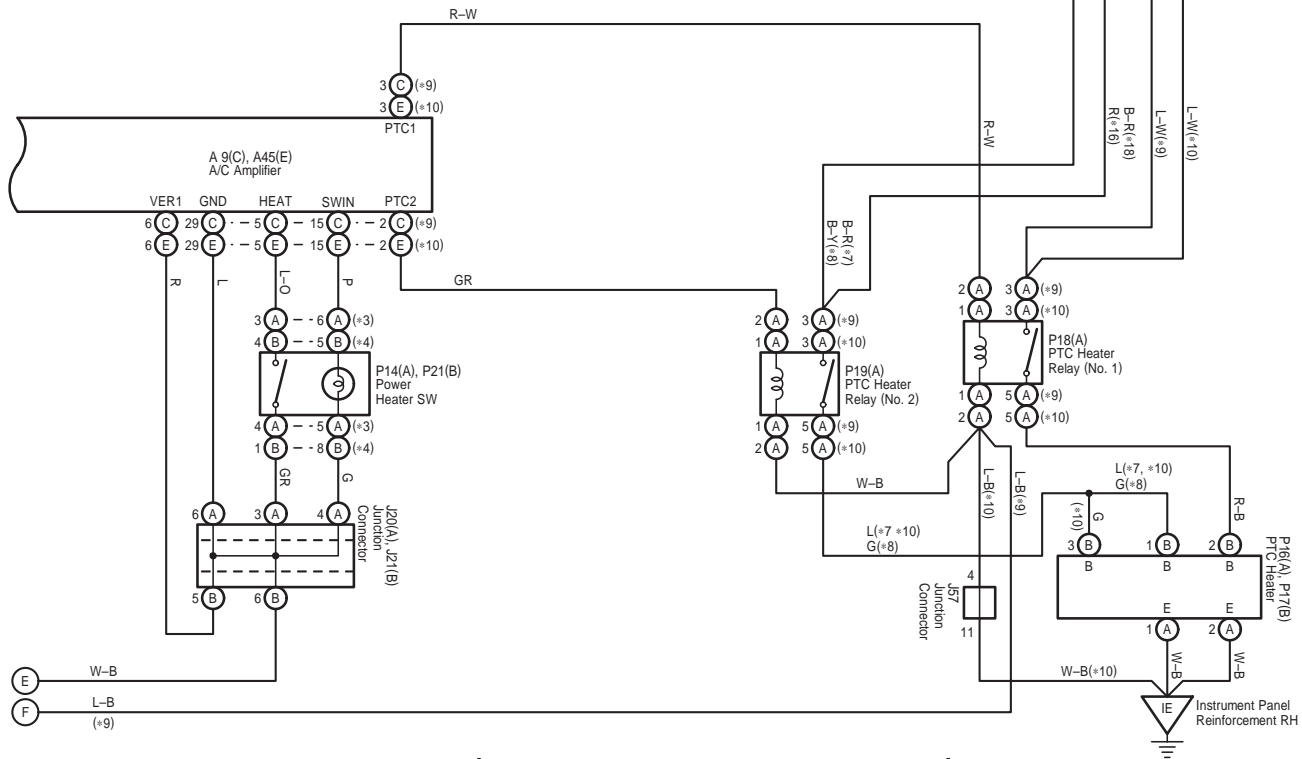
HILUX (EM1815E)

PTC Heater (Cold Area Spec. w/ Manual Air Conditioner)

9 10 11 12

- (A) L-W(+10)
- (B) L-W(+9)
- (C) B-R(+18)
- (D) R(+16)
- (E) B-R(+7)
- (F) B-Y(+8)

- \* 3 : Before Aug. 2008 Production
- \* 4 : From Aug. 2008 Production
- \* 7 : Before Aug. 2010 Production
- \* 8 : From Aug. 2010 Production until Jun. 2011 Production
- \* 9 : Before Jun. 2011 Production
- \* 10 : From Jun. 2011 Production
- \* 16 : From Aug. 2013 Production
- \* 18 : From Jun. 2011 Production until Aug. 2013 Production



HILUX (EM1815E)

M OVERALL ELECTRICAL WIRING DIAGRAM