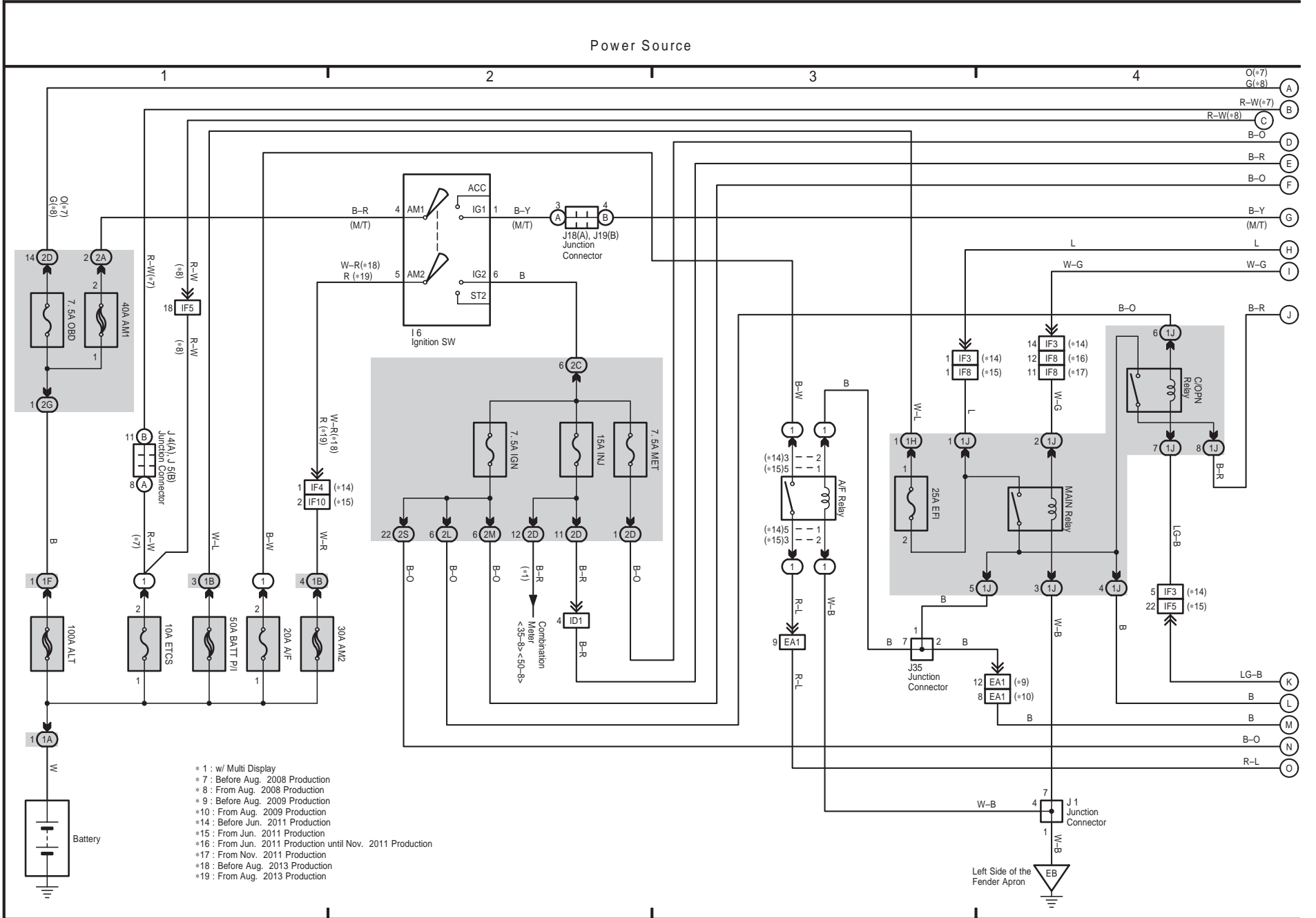
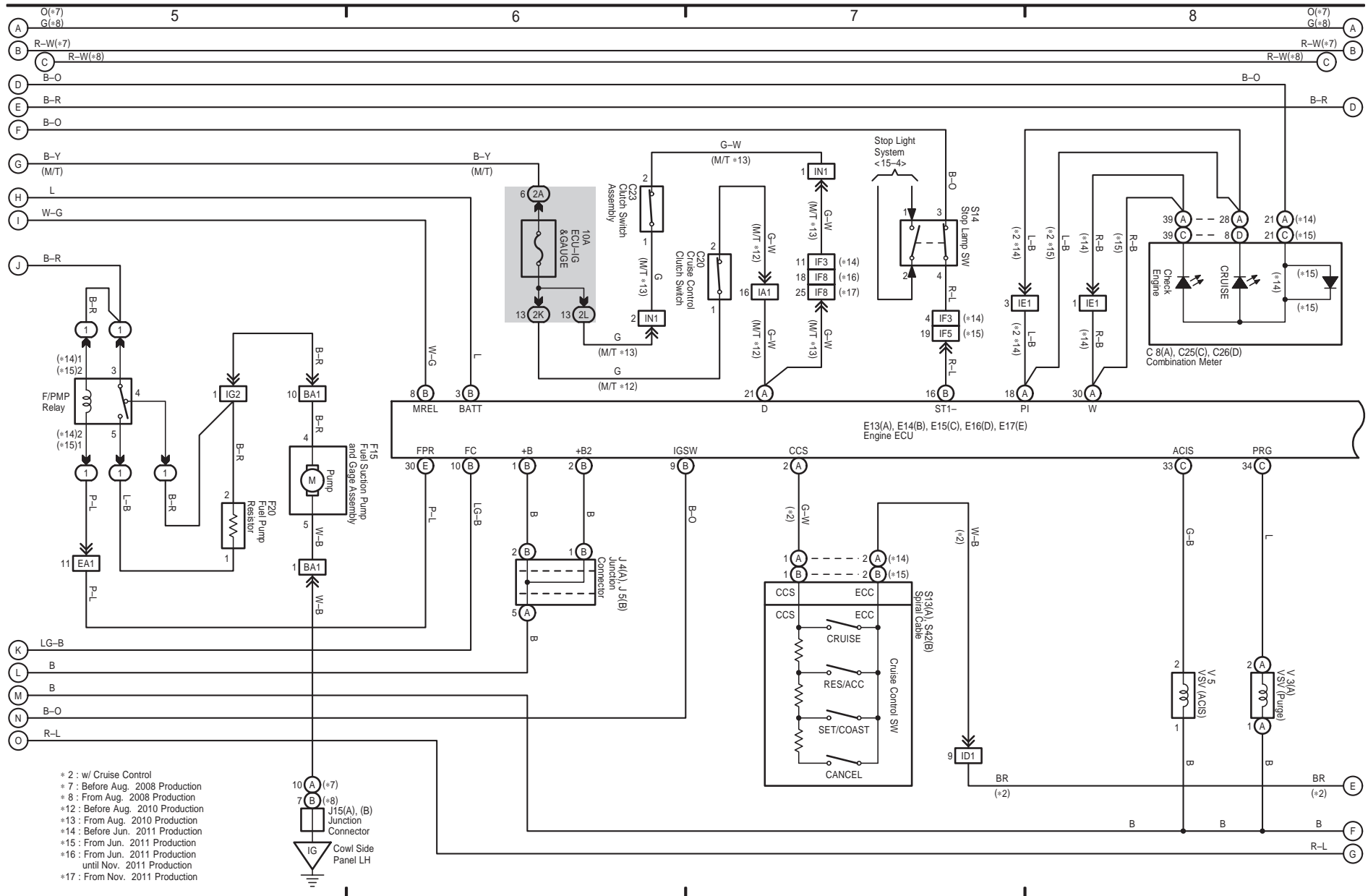


HILUX (EM1815E)



Cruise Control (1GR-FE)

Engine Control (1GR-FE)



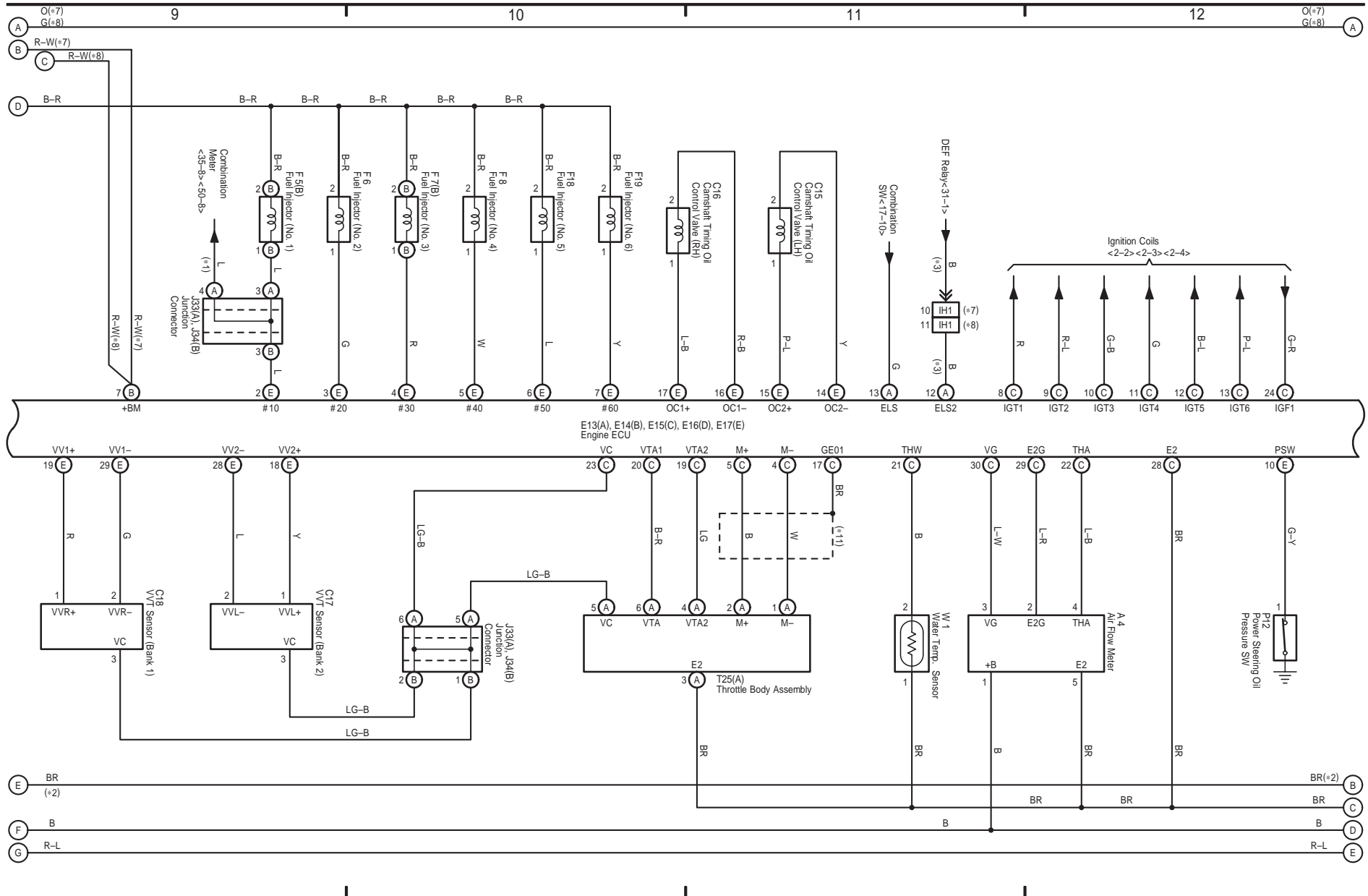
* 2 : w/ Cruise Control
 * 7 : Before Aug. 2008 Production
 * 8 : From Aug. 2008 Production
 * 12 : Before Aug. 2010 Production
 * 13 : From Aug. 2010 Production
 * 14 : Before Jun. 2011 Production
 * 15 : From Jun. 2011 Production
 * 16 : From Jun. 2011 Production until Nov. 2011 Production
 * 17 : From Nov. 2011 Production

HILUX (EM1815E)

Engine Control (1GR-FE)

- * 1 : w/ Multi Display
- * 2 : w/ Cruise Control
- * 3 : w/ Rear Window Defogger

- * 7 : Before Aug. 2008 Production
- * 8 : From Aug. 2008 Production
- * 11 : Shielded



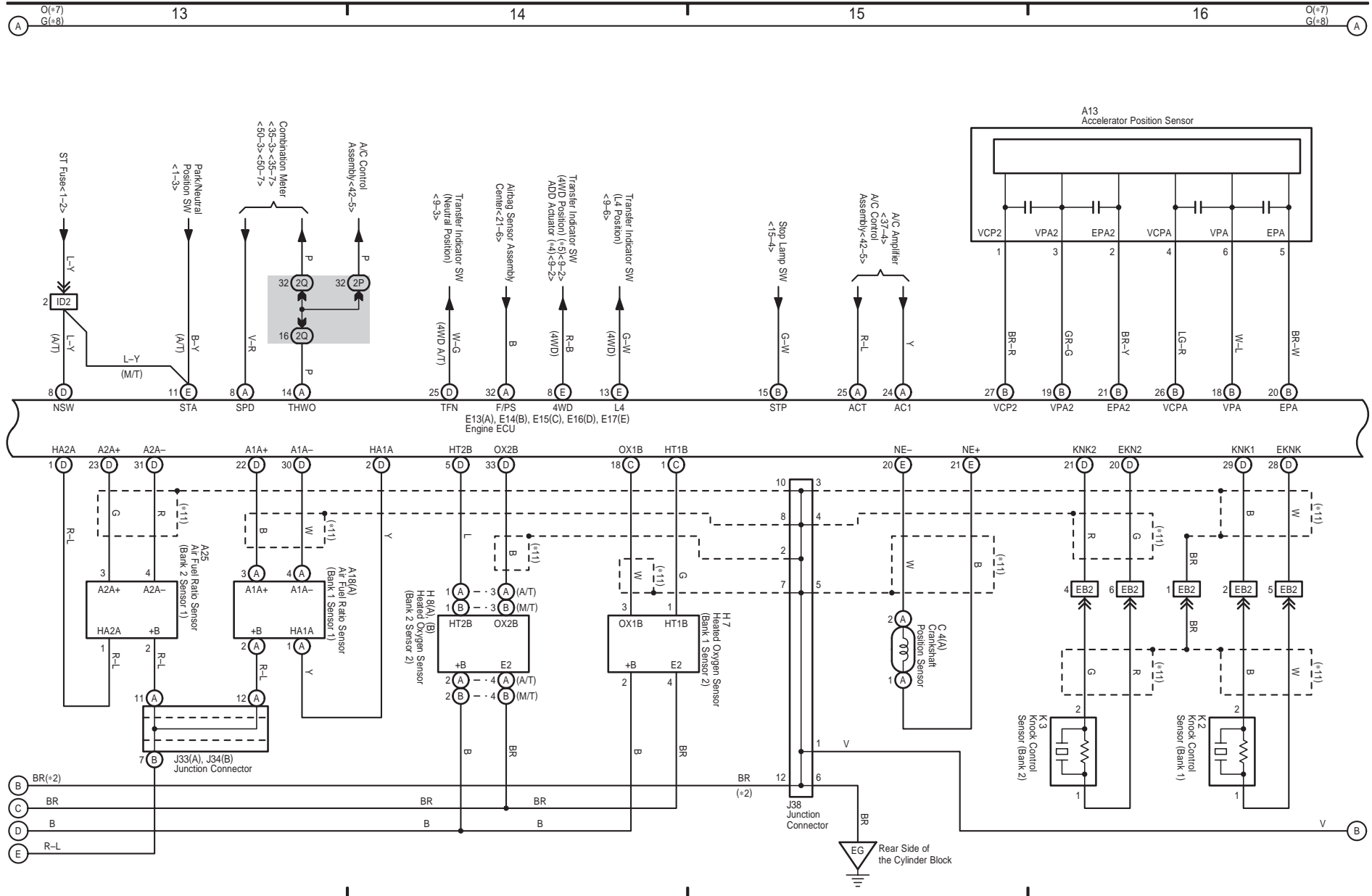
HILUX (EM1815E)

M OVERALL ELECTRICAL WIRING DIAGRAM

Engine Control (1GR-FE)

* 2 : w/ Cruise Control
 * 4 : w/ ADD
 * 5 : w/o ADD

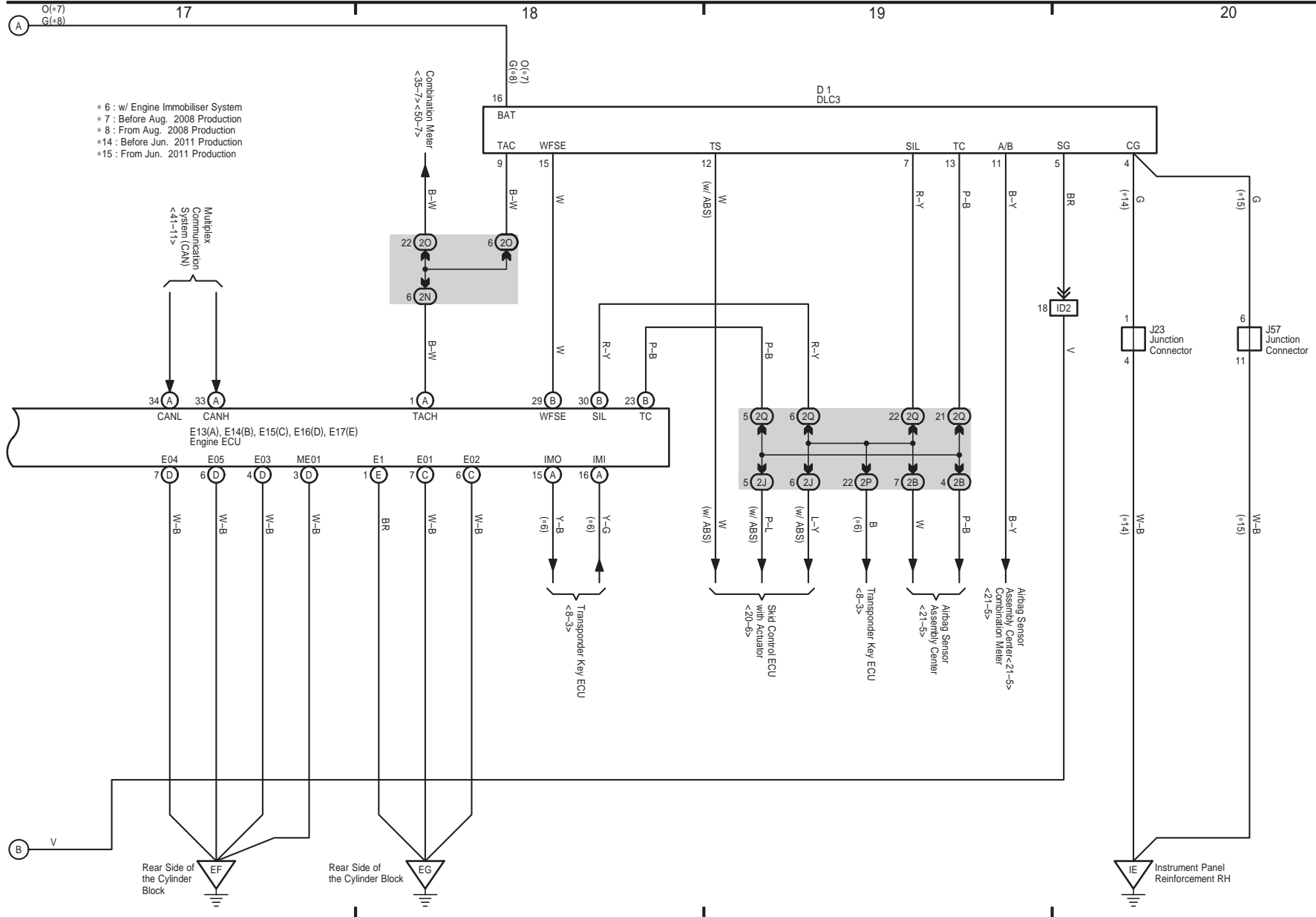
* 7 : Before Aug. 2008 Production
 * 8 : From Aug. 2008 Production
 *11 : Shielded



HILUX (EM1815E)

4 HILUX (Cont' d)

Engine Control (1GR-FE)



HILUX (EM1815E)