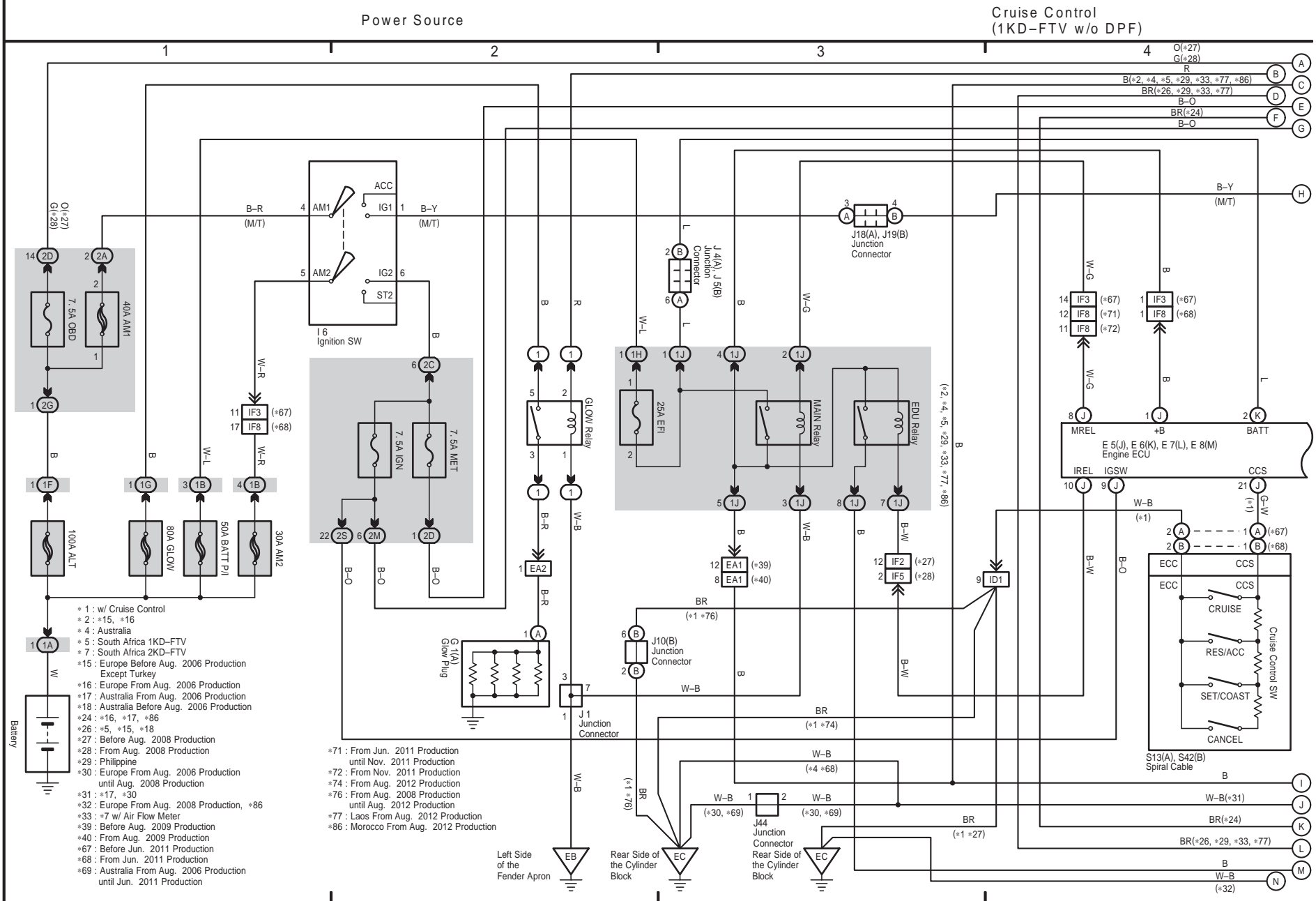
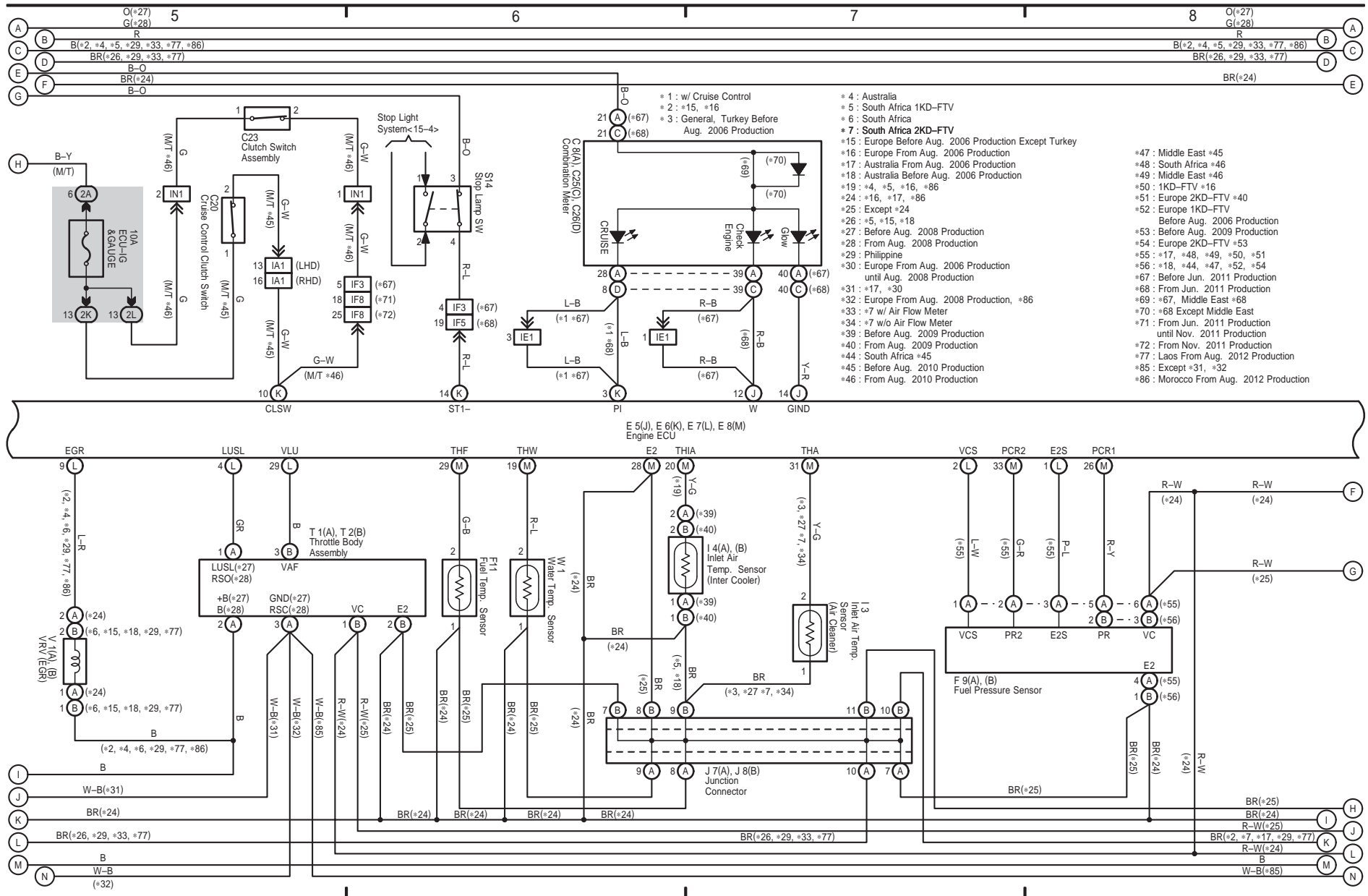


HILUX (EM1815E)

OVERALL ELECTRICAL WIRING DIAGRAM

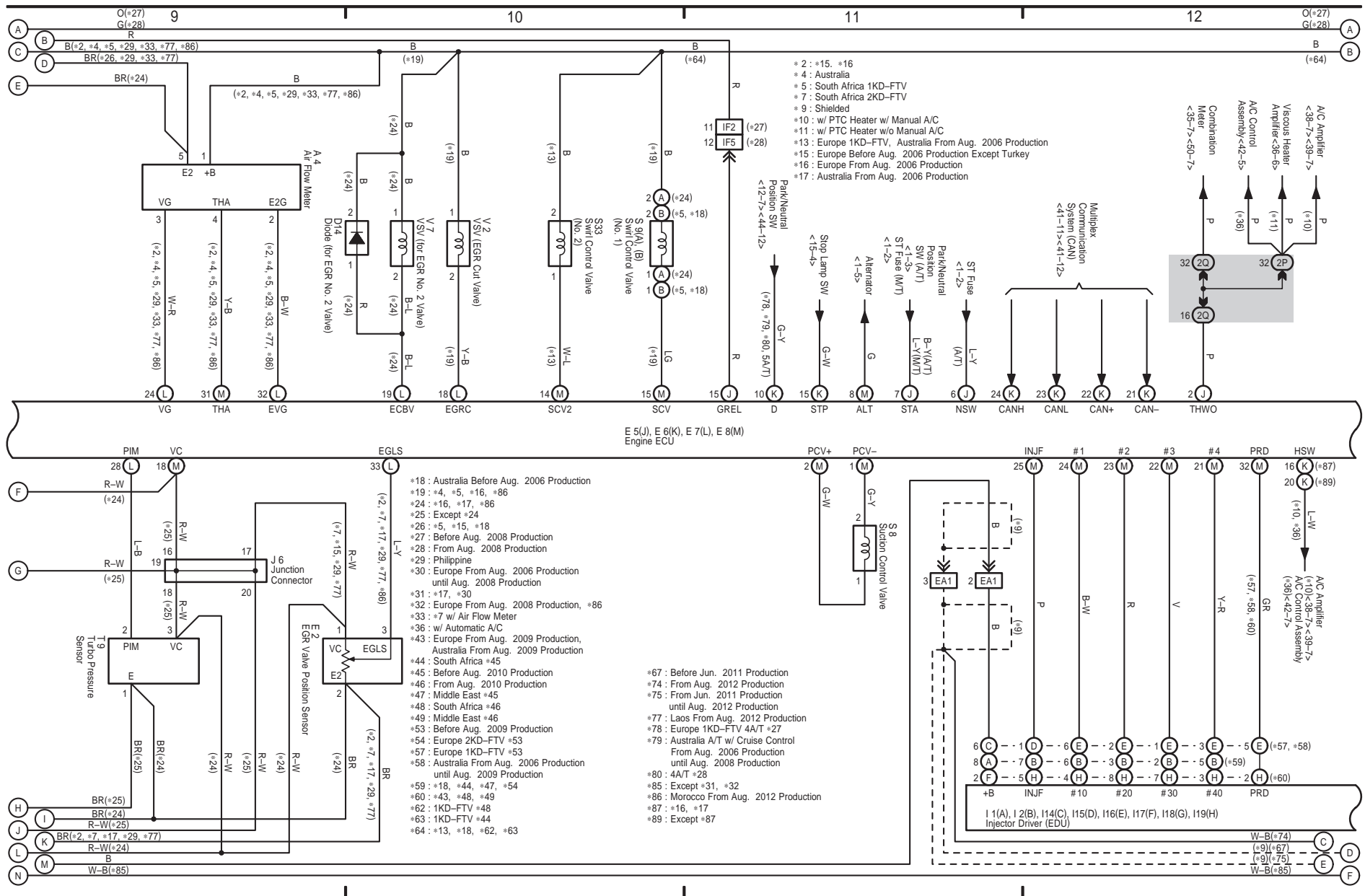


Engine Control (1KD-FTV w/o DPF, 2KD-FTV Except VN Turbocharger)



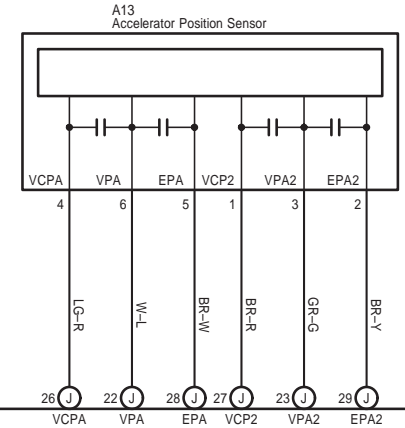
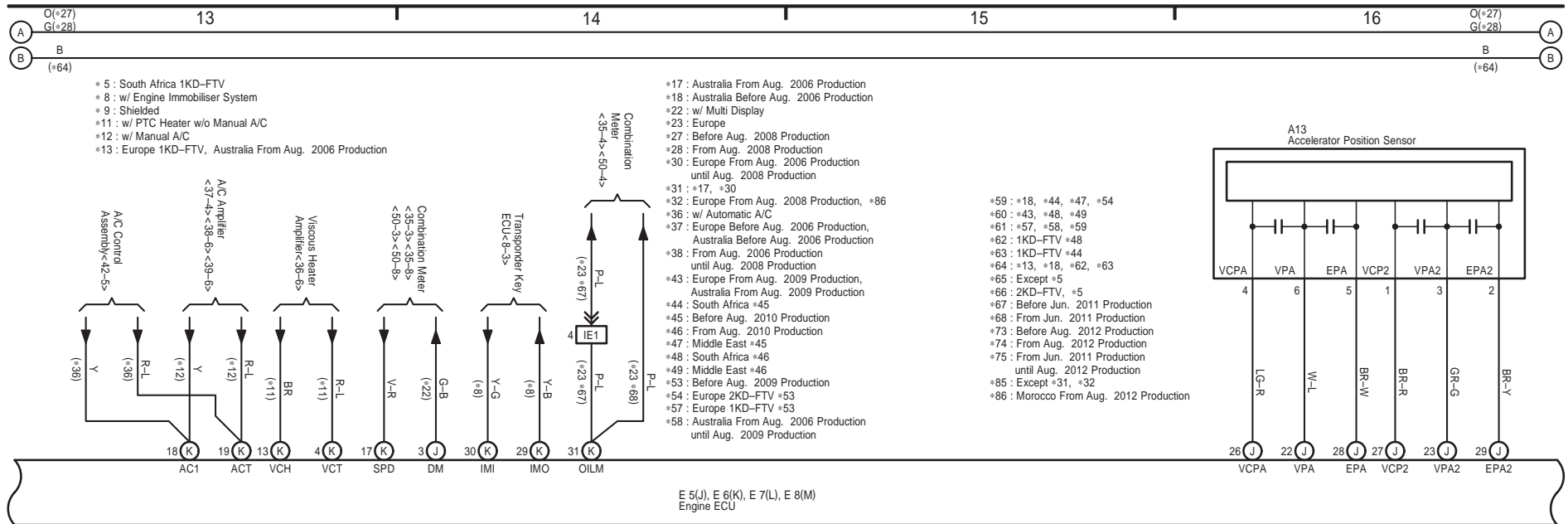
HILUX (EM1815E)

Engine Control (1KD-FTV w/o DPF, 2KD-FTV Except VN Turbocharger)

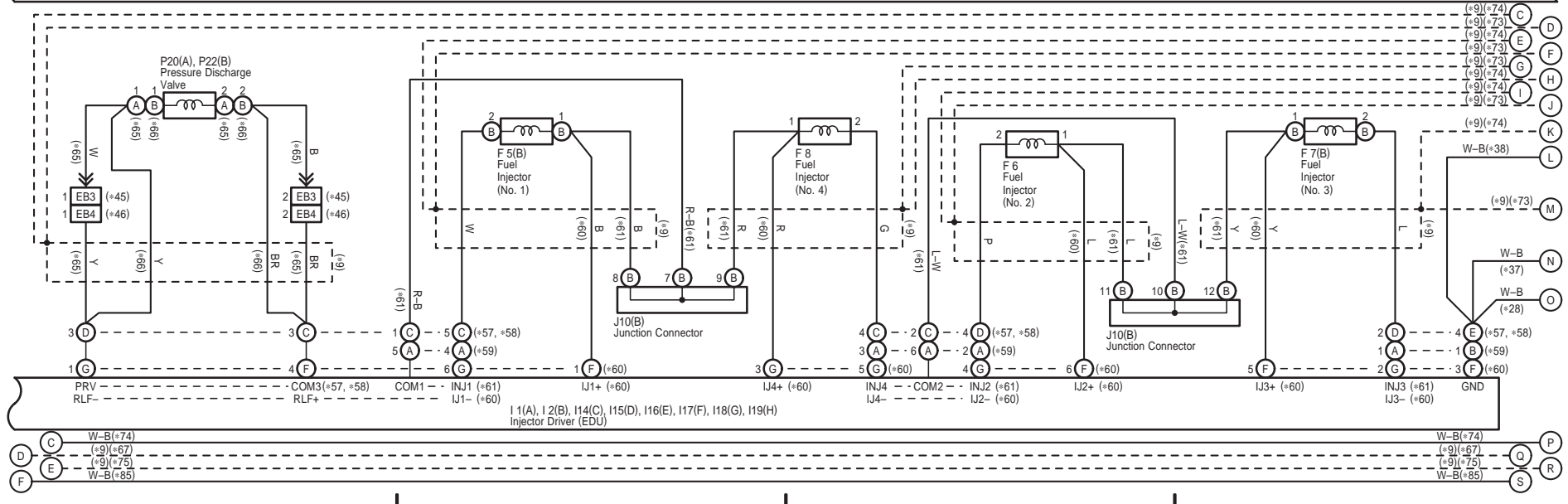


HILUX (EM1815E)

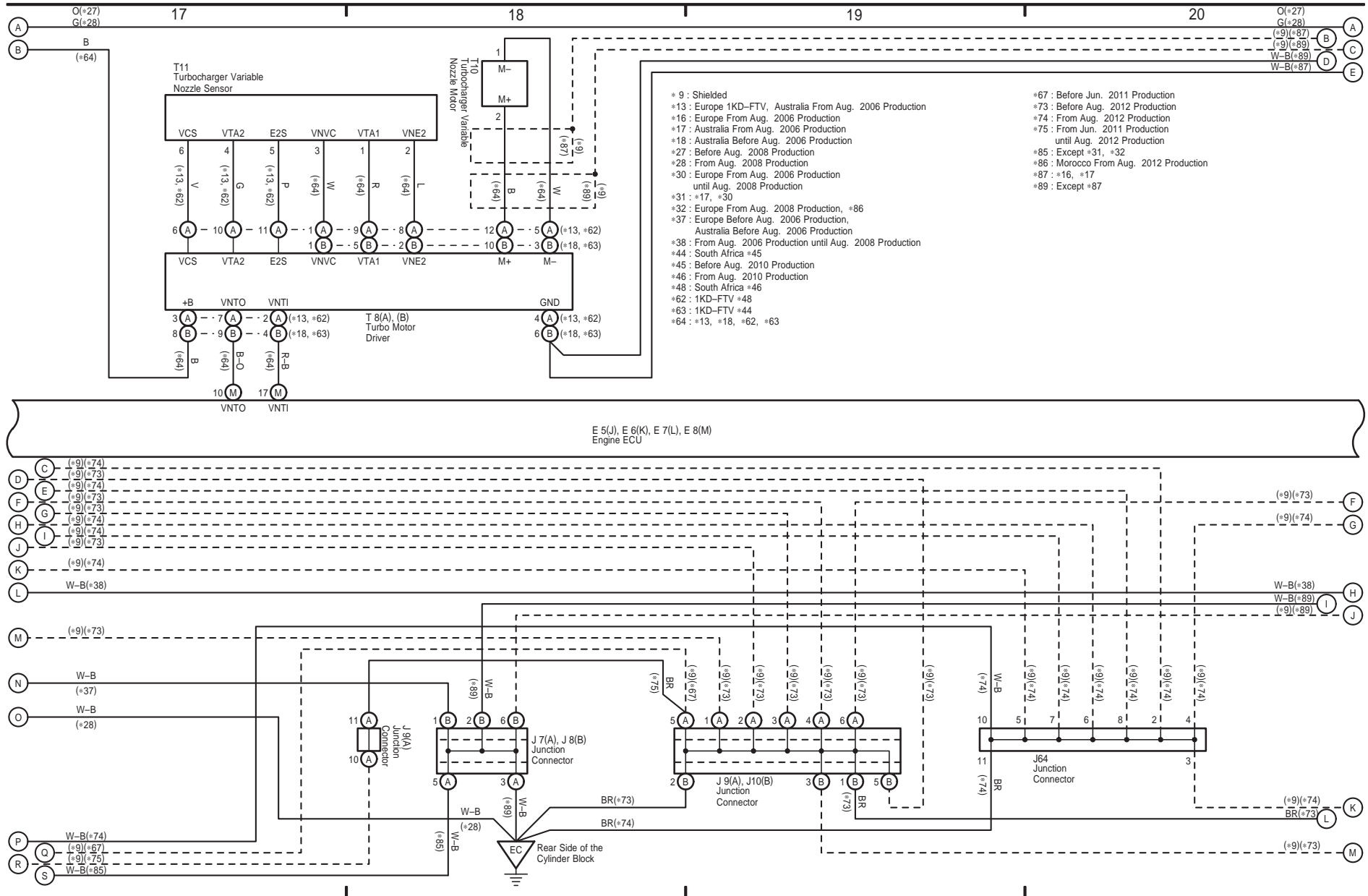
Engine Control (1KD-FTV w/o DPF, 2KD-FTV Except VN Turbocharger)



HILUX (EM1815E)



Engine Control (1KD-FTV w/o DPF, 2KD-FTV Except VN Turbocharger)



HILUX (EM1815E)

M OVERALL ELECTRICAL WIRING DIAGRAM

6 HILUX (Cont' d)

Engine Control (1KD-FTV w/o DPF, 2KD-FTV Except VN Turbocharger)

HILUX (EM1815E)

