

Power Source

4WD (1GR-FE, 2TR-FE)

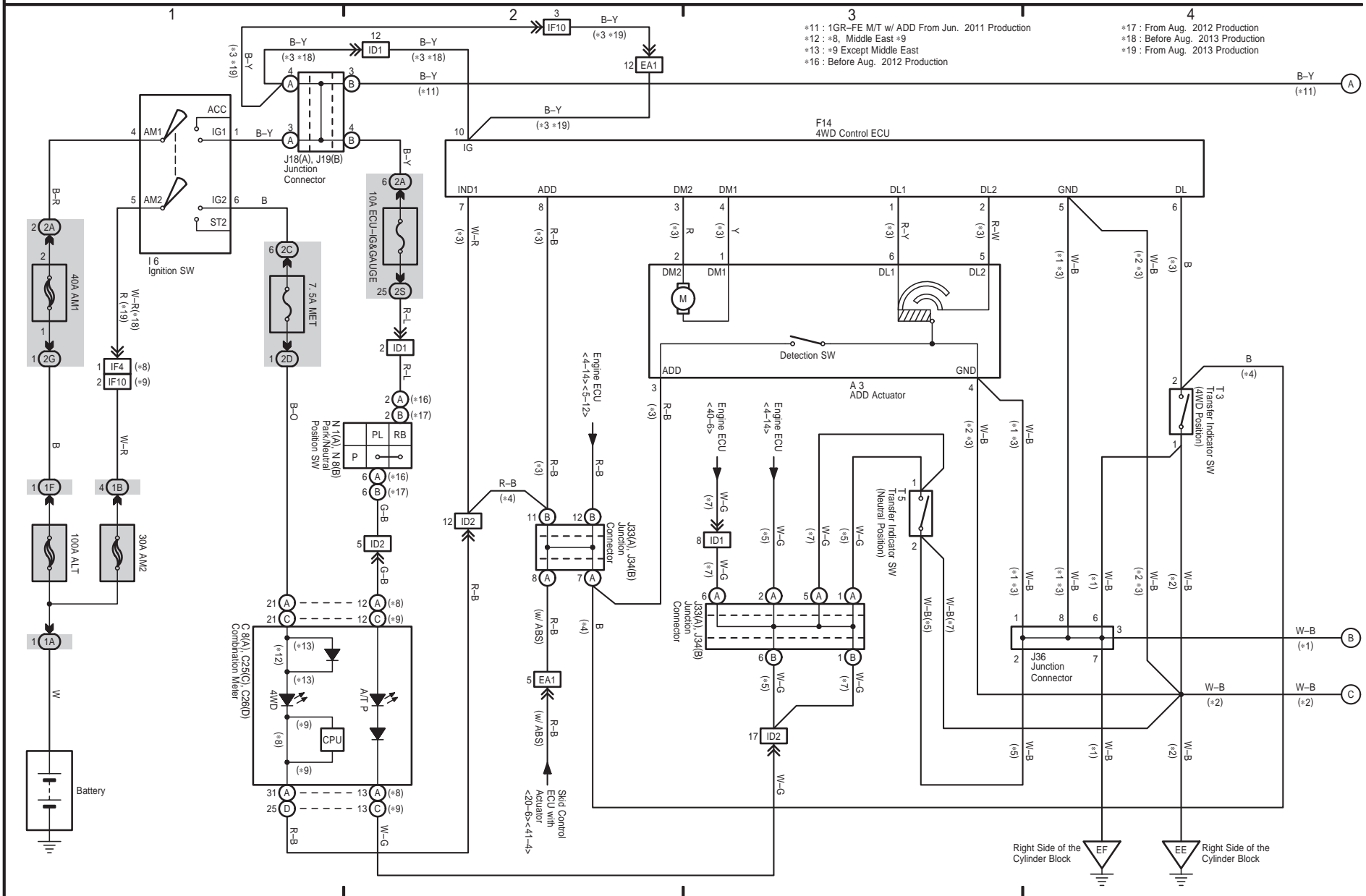
- * 1 : 1GR-FE
- * 2 : 2TR-FE
- * 3 : w/ ADD
- * 4 : w/o ADD
- * 5 : 1GR-FE A/T
- * 7 : 2TR-FE A/T
- * 8 : Before Jun. 2011 Production
- * 9 : From Jun. 2011 Production

- *11 : 1GR-FE M/T w/ ADD From Jun. 2011 Production
- *12 : *8, Middle East *9
- *13 : *9 Except Middle East
- *16 : Before Aug. 2012 Production

- *17 : From Aug. 2012 Production
- *18 : Before Aug. 2013 Production
- *19 : From Aug. 2013 Production

HILUX (EM1815E)

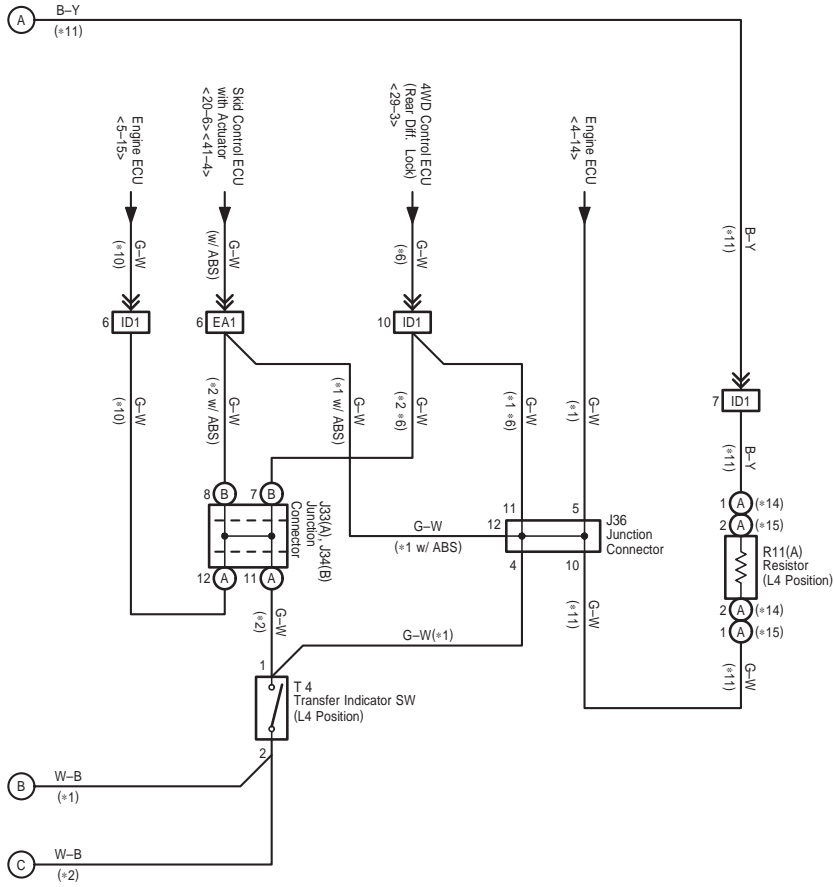
M OVERALL ELECTRICAL WIRING DIAGRAM



9 HILUX (Cont' d)

4WD (1GR-FE, 2TR-FE)

5 6 7 8



- * 1 : 1GR-FE
- * 2 : 2TR-FE
- * 6 : w/ Rear Diff. Lock
- * 10 : 2TR-FE A/T, 2TR-FE M/T Before Jun. 2011 Production
- * 11 : 1GR-FE M/T w/ ADD From Jun. 2011 Production
- * 14 : Before Nov. 2011 Production
- * 15 : From Nov. 2011 Production

HILUX (EM1815E)